

**ORIGINAL INSTRUCTION MANUAL  
MANUEL D'INSTRUCTIONS ORIGINAL  
ORIGINAL-BEDIENUNGSANLEITUNG  
MANUALE DI ISTRUZIONI ORIGINALE  
OORSPRONKELIJKE INSTRUCTIEHANDLEIDING  
MANUAL DE INSTRUCCIONES ORIGINAL  
MANUAL DE INSTRUÇÕES ORIGINAIS  
ORIGINAL BRUGSANVISNING  
ΠΡΩΤΟΤΥΠΟ ΕΓΧΕΙΡΙΔΙΟ ΟΔΗΓΙΩΝ  
ORIJINAL KULLANIM KILAVUZU**

**WARNING:**

Read this instruction manual carefully before putting the petrol mist blower into operation and strictly observe the safety regulations! Save instruction manual for future reference.

**AVERTISSEMENT :**

Lisez attentivement le manuel d'instructions avant toute utilisation de l'atomiseur, et respectez strictement les réglementations relatives à la sécurité.

Conservez ce manuel d'instructions pour consultation ultérieure.

**WARNUNG:**

Lesen Sie diese Bedienungsanleitung aufmerksam durch, bevor Sie das Benzin-Sprühgerät in Betrieb nehmen, und halten Sie sich strikt an die Sicherheitsbestimmungen!

Bewahren Sie diese Bedienungsanleitung für spätere Bezugnahme auf.

**AVVERTIMENTO:**

Leggere attentamente questo manuale di istruzioni prima di far funzionare questo atomizzatore a benzina, e osservare rigorosamente le norme per la sicurezza.

Conservare questo manuale di istruzioni per ulteriori consultazioni.

**WAARSCHUWING:**

Lees deze gebruiksaanwijzing aandachtig door voordat u met de mistblazer gaat werken en neem alle veiligheidsvoorschriften zorgvuldig in acht.

Bewaar de gebruiksaanwijzing voor latere naslag.

**ADVERTENCIA:**

¡Lea este manual de instrucciones atentamente antes de poner en funcionamiento el pulverizador a gasolina y observe estrictamente las normas de seguridad!

Guarde este manual de instrucciones para consultarlo en el futuro.

**AVISO:**

Leia cuidadosamente este manual de instruções antes de utilizar o soprador de névoa a gasolina e cumpra rigorosamente as normas de segurança!

Guarde o manual de instruções para consulta futura.

**ADVARSEL:**

Læs denne instruktionsbog grundigt, inden den benzindrevne tågeblæser tages i brug, og overhold sikkerhedsforskrifterne nøje! Gem instruktionsvejledningen til fremtidig reference,

**ΠΡΟΕΙΔΟΠΟΙΗΣΗ:**

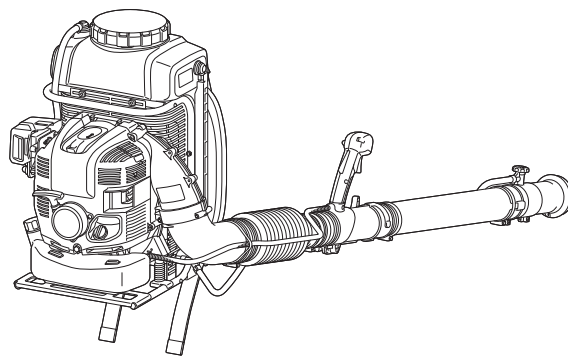
Διαβάστε αυτό το εγχειρίδιο οδηγιών προσεκτικά πριν θέσετε τον βενζινοκίνητο ψεκαστήρα σε λειτουργία και τηρήστε αυστηρά τους κανονισμούς ασφάλειας!

Φυλάξτε αυτό το εγχειρίδιο οδηγιών για μελλοντική παραπομπή.

**UYARI:**

Benzinli atomizeri kullanmaya başlamadan önce bu kullanım kılavuzunu dikkatli bir şekilde okuyun ve güvenlik talimatlarını harfiyen takip edin!

Bu kullanma kılavuzunu daha sonra başvurmak üzere saklayın.



**SP-7650.4 R**

**DOLMAR**



Thank you very much for selecting the DOLMAR petrol mist blower. We are pleased to be able to offer you the DOLMAR petrol mist blower, which is the result of a long development program and many years of knowledge and experience.

The mist blower combines the advantages of state-of-the-art technology with ergonomic design. They are of handy, compact and represent professional equipment for a great variety of applications.

**Please read, understand and follow this booklet, which refers in detail to the various points that will demonstrate its outstanding performance. This will assist you to safely obtain the best possible results from your DOLMAR mist blower.**



**Table of Contents**

	Page
Symbols.....	2
Important safety instructions.....	3
Technical data.....	9
Designation of parts.....	10
Assembly instructions.....	11
Before starting the engine.....	12
Starting and stopping engine.....	14
Adjusting idle speed.....	15
Operation method.....	16
Inspection and maintenance.....	22
Storage.....	25
Troubleshooting.....	27

**SYMBOLS**

It is very important to understand the following symbols when reading this instructions manual.

	WARNING/DANGER		Wear respiratory protection
	Read, understand and follow instruction manual		Hot surfaces – Burns to fingers or hands
	Forbidden		Fuel (Gasoline)
	No smoking		Engine-manual start
	No open flame		Emergency stop
	Wear sturdy boots with nonslip soles.		First aid
	Wear suitable protective clothing		ON/START
	Protective gloves must be worn		OFF/STOP
	Keep bystanders away when spraying		Severing of fingers or hand, impeller blade
	Keep the area of operation clear of all persons and pets		Long hair may cause entanglement accident
	Wear eye and ear protection		Poisonous fumes or toxic gases. Do not operate in an unventilated area.

# IMPORTANT SAFETY INSTRUCTIONS

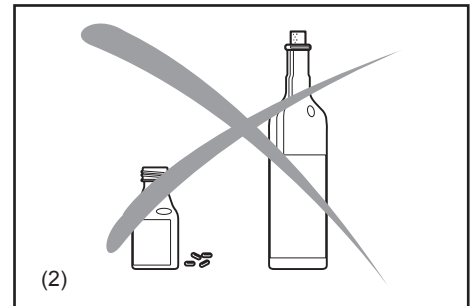
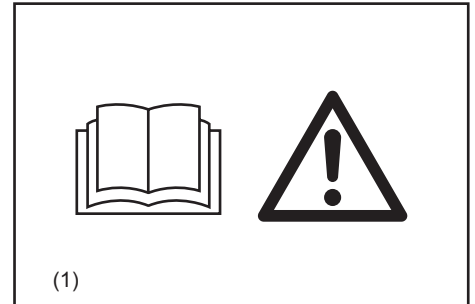
## ⚠ WARNING:

- Read all safety warnings and all instructions. Failure to follow the warnings and instructions may result in electric shock, fire and/or serious injury.

## Save all warnings and instructions for future reference.

### General instructions

- To ensure correct and safe operation, the user must read, understand and follow this instruction manual to assure familiarity with the handling of the mist blower (1). Users insufficiently informed will risk danger to themselves as well as others due to improper handling.
- It is recommended only to loan the mist blower to people who have proven to be experienced with mist blowers.
- Always hand over the instruction manual.
- First-time users should ask the dealer for basic instructions to familiarize oneself with the handling of a mist blower.
- Children and young persons aged under 18 years must not be allowed to operate the mist blower. Persons over the age of 16 years may however use the machine for the purpose of being trained only while under the direct supervision of a qualified trainer.
- Use mist blowers with the utmost care and attention.
- Operate the mist blower only if you are in good physical condition.
- Perform all work conscientiously and carefully. The user has to accept responsibility for others.
- Never use the mist blower while under the influence of alcohol or drugs (2).
- Do not use the unit when you are tired.
- Save these instructions for future referral.



### Intended use of the machine

- Use right machine. The mist blower is only intended for spraying liquid chemicals and other liquids to control pests and weeds in fruit, flower and vegetable gardens, on trees and bushes and on other plants, such as coffee, tobacco and cotton. It is also useful in the maintenance of young trees for, e.g., controlling the bark beetle and other pests and plant diseases. Never use for any other purpose.
- Only use plant protection products that are specifically approved for use with mist blowers by their manufacturer and that meet all applicable safety regulations, standards and ordinances.

Get information from your dealer on how to operate your mist blower. Observe all applicable local safety regulations, standards and ordinances.

All operating and servicing people should be trained and familiarized with the proper handling procedures for the chemical products being used, as well as with first aid/emergency care, and liquid chemical disposal regulations.

## ⚠ WARNING:

- Your mist blower is only for professional use. Do not lend or rent your mist blower without the instruction manual. Make sure that anyone using it understands the information contained in this instruction manual.

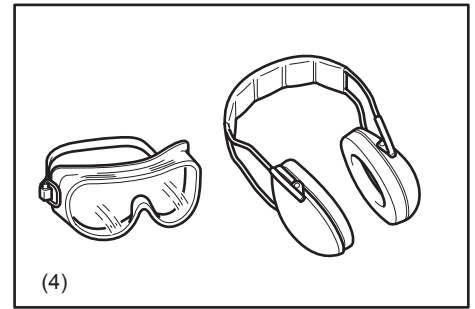
### Personal protective equipment

- To reduce the risk of injury when using chemical products, wear proper protective apparel when filling, using and cleaning the mist blower. Always follow all of the chemical manufacturer's instructions with respect to proper eye, skin and respiratory protection. They may differ from and exceed the following precautions.
- When using toxic chemicals, the operator and any bystanders may need to wear a properly fitted respirator approved for the chemical being used. Refer to the chemical product label. Breathing toxic chemicals can cause serious or fatal injury.
- The clothing worn should be functional and appropriate, i.e. it should be tight fitting but not cause a hindrance. Do not wear jewelry, clothing or long hair which could be drawn into the air intake. (3)
- In order to avoid head-, eye-, hand- or foot injuries as well as to protect your hearing the following protective equipment and protective clothing must be used during operation of the mist blower.



## Pay particular attention to the following regulations

- Clothing must be sturdy and snug-fitting, but allow complete freedom of movement. Avoid loose-fitting jackets, flared or cuffed pants, scarves, unconfined long hair or anything that could be drawn into the air intake. Wear long pants to protect your legs. Do not wear shorts. (5)
- Mist blower noise may damage your hearing. Wear sound barriers (ear plugs or ear muffs) to protect your hearing. Continual and regular users should have their hearing checked regularly. (4)
- Always use rubber/chemical-resistant gloves when working with the mist blower. Good footing is most important. Wear rubber/chemical boot. (5)
- Proper eye protection is a must. Even though the discharge is directed away from the operator, ricochets and bounce-backs can occur during mist blower operation. (4)
- Never operate a mist blower unless wearing goggles or properly fitted safety glasses with adequate top and side protection which comply with ANSI Z 87.1 (or your applicable national standard).



## HANDLING OF CHEMICALS

- Some chemicals used with your mist blower may contain toxic and/or caustic substances. Such chemicals can be dangerous and cause serious or fatal injury to persons and animals and/or severe damage to plants and the environment. Avoid direct contact with chemicals. Follow the chemical manufacturer's instructions with respect to any contact with its product.
- Read the manufacturer's label and instruction manual each time before mixing or using the chemical and before storing or disposing of it. Do not rely on your memory. Careless or improper use may cause serious or fatal injury.
- Carefully read the labels on chemical containers before use. Chemicals are classified into categories of toxicity. Each category will have unique handling characteristics. Familiarize yourself with the characteristics for the category of the chemical you are using. Chemicals may be used only by persons trained in their handling and the appropriate first-aid measures.
- Chemicals may be harmful to persons, animals and the environment if improperly used. In addition, it is advisable not to use some chemicals that are caustic, corrosive or poisonous in your mist blower.
- Mix only compatible pesticides. Wrong mixtures can produce toxic fumes. When handling and spraying chemicals, make sure you are operating in accordance with local, state, and federal environmental protection rules and guidelines. Do not spray when it is windy. To help protect the environment, use only the recommended dosage – do not overuse. Pay special attention when using near watersheds, waterway, etc.
- Avoid opening mouth such as eating, drinking, or smoking while handling chemicals or while you are spraying. Never blow through nozzles, tubes, pipes or any other component by mouth. Always handle chemicals in a well-ventilated area while wearing appropriate protective clothing and safety equipment. Do not store or transport chemicals together with food, drink, or medicines, and never reuse a chemical container for any other purpose. Do not transfer liquid chemicals to other containers, especially food and/or drink containers.
- In case of accidental contact or ingestion of chemicals or in case of contamination of clothing, stop working and immediately rinse them out with clear water and consult the chemical manufacturer's instructions. If doubtful about what to do, ask a poison control center or doctor for advice without delay. Keep the product's label ready to read to or show the persons you consult. Clean all chemical spills immediately. Dispose of any residue observing state, federal or your nation's laws and regulations.
- Keep chemicals out of reach of children, other unauthorized people and animals. When not in use, store chemicals in a safe and locked place. Follow the manufacturer's recommendations for proper storage.

## Preparing chemicals

- Prepare chemical solutions according to the chemical manufacturer's instructions.
- Prepare solution only enough for the job at hand so that no solution is left over.
- Mix chemicals only by following instructions – wrong mixtures can produce toxic fumes or explosive mixtures.
- Never spray undiluted chemicals.
- Prepare solution and fill the container outdoors only in a well-ventilated place.
- The operator should clarify the name of the chemical currently in use.

## Storage

- Do not store spray solution in the container for more than one day.
- Always store and transport spray solution only in approved containers.
- Never store or transport the spray solution in containers intended for foods, drinks or animal feed.
- Do not store or transport spray solution with foods, drinks or animal feed.
- Keep spray solution out of the reach of children, other unauthorized people and animals.
- Store the spray solution in a locked place secured against unauthorized use.

## Disposal

Never dispose of residual chemicals or contaminated rinsing solutions in waterways, drains, sewers, street gutters, manholes or the like.

When disposing of contaminated rinse, observe all applicable laws, regulations and ordinances.

Strictly observe the precautionary instructions of the chemical manufacturer.

## Filling the container

- Tighten all connections and check to be sure the pipes as well as a tube are securely attached and in good condition. Keep the solution discharge lever closed.
- Before using the mist blower with chemicals, fill it with fresh water to assure that you have assembled it properly and practice spraying. Also, check for any leaks at this time. When thoroughly familiar with the mist blower operation, follow normal operating procedures.
- Fill your mist blower in well-ventilated areas, outdoors.
- Do not use:
  - flammables in the mist blower, which may cause explosion resulting in serious or fatal injury;
  - caustic or corrosive materials in the mist blower, which could result in damage to the unit;
  - liquids with a temperature above 50°C to reduce the risk of scalding and damage to the unit.

To fill the solution tank, place the mist blower on a level surface, fill the solution only in good light and visibility. To reduce the risk of contaminating the surrounding environment, be careful not to overfill the solution tank with chemical solution.

To reduce the risk of injury, do not fill the mist blower while wearing it on your back.

If you fill the solution tank with a hose attached to a central water supply, be sure the end of the hose is out of the solution to reduce the risk of backflow, i.e. the chemicals being sucked into the water supply in the case of a sudden vacuum.

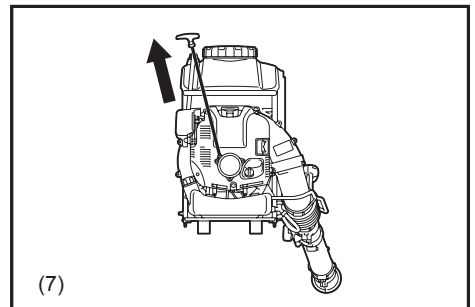
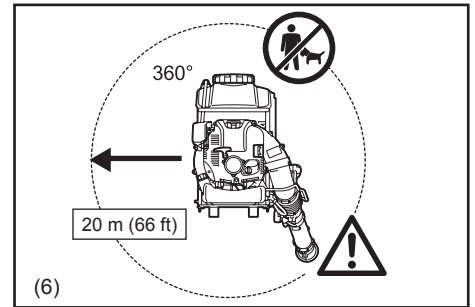
Calculate the correct amount of chemical solution so that it is used up at one time, with no extra solution left over in the tank.

After filling, fit the solution tank cap and tighten it down firmly.

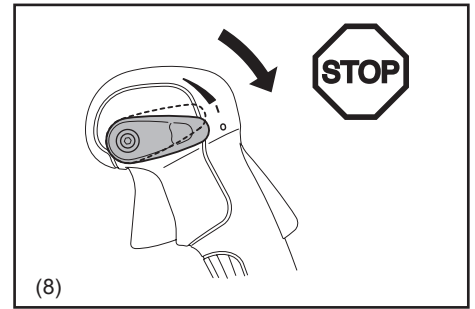
- Check for leakage while refilling and during operation. A leak from the solution tank or a loose fitting could soak your clothing and come into contact with your skin.

## Starting up the mist blower

- Please make sure that there are no children or other people within a working range of 20 meters (66 feet) (6), also pay attention to any animals in the working vicinity. Never use the mist blower in urban areas.
- Before operating, always check that the mist blower is safe for operation: Check the security of the throttle trigger. The throttle trigger should be checked for smooth and easy action. Check for proper functioning of the throttle trigger lock. Check for clean and dry handles and test the function of the I-O switch. Keep handles free of oil and fuel.
- To reduce the risk of leakage and skin contact with chemicals, check that the container cap and all connections in the path of the spray are tight, and be sure the hose is securely attached and in good condition. Keep the solution discharge lever closed.
- Make sure that the solution discharge lever is closed before starting the machine.
- Check that the spark plug cap is securely mounted on the spark plug – a loose plug cap may cause arcing that could ignite combustible fumes and cause a fire.
- Check condition of harness straps and replace damaged or worn straps.
- Adjust shoulder strap to suit your size before starting work.  
In an emergency, you may slip out of the shoulder strap and throw off the machine quickly. Practice slipping out of the harness a number of times before using the machine in order to become accustomed to it. Do not throw off the machine while practicing as it could damage the machine.
- When you pull the starter handle, do not wrap the starter rope around your hand. Do not let the starter handle snap back, but guide the starter rope to rewind it properly.  
Failure to follow this procedure may result in injury to your hand or fingers and may damage the starter mechanism.
- The assistance of another person may be needed in placing the mist blower on your back after starting. In order to reduce the risk of injury to the assistant from thrown objects, chemical spray/liquid or from contact with hot exhaust fumes, keep the engine at idle speed during this brief period, and do not let your assistant stand in the area of the outlet nozzle or exhaust. Otherwise, the mist blower should be started and operated without assistance.
- Start the mist blower only in accordance with the instructions.
- Do not use any other methods for starting the engine (7)!
- Use the mist blower and the accessories supplied only for applications specified.
- Start the mist blower engine only after the entire machine has been assembled. Operation of the machine is permitted only after all the appropriate accessories are attached.
- The engine is to be switched off immediately if there are any engine problems.
- Use the mist blower for single-handed operation with the right hand on the control handle. Carry as a backpack with the shoulder straps over both shoulders.  
To reduce the risk of loss of control, never carry the mist blower with the strap(s) over one shoulder.
- When working with the mist blower, always wrap your fingers tightly around the handle, keeping the control handle cradled between your thumb and forefinger. Keep your hand in this position to have your machine under control at all times. Make sure your control handle is in good condition and free of moisture, pitch, oil or grease.
- Always ensure a safe, well-balanced footing.
- In order to keep the solution tank upright and reduce the risk of spillage, do not bend at the waist. Bend only at the knees and support yourself as required to ensure proper balance.  
Remember that a mist blower filled with liquid has a significant amount of weight. Use extra caution when bending, leaning or walking.
- Operate the mist blower in such a manner as to avoid inhalation of the exhaust gases. Never run the engine in enclosed rooms (risk of suffocation and gas poisoning). Carbon monoxide is an odorless gas. Always ensure there is adequate ventilation.
- Your mist blower is not insulated against electric shock. To reduce the risk of electrocution, never operate this mist blower in the vicinity of any wires or cables (power, etc.) which may be carrying electric current. Do not spray on or near electrical installations.

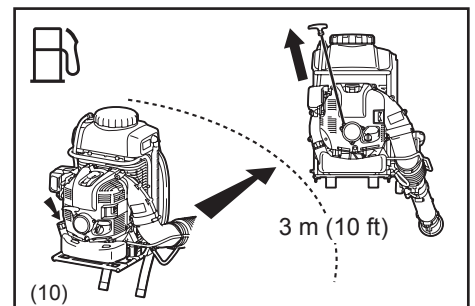
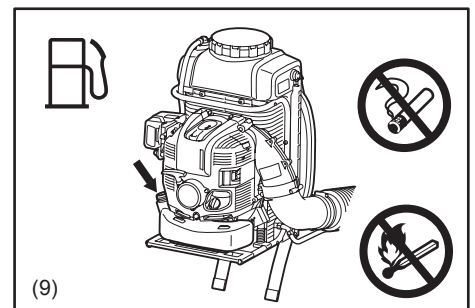


- Switch off the engine when resting and when leaving the mist blower unattended. Place it in a safe location to prevent danger to others, setting fire to combustible materials, or damage to the machine (8).
- Never lay the hot mist blower onto dry grass or onto any combustible materials.
- Do not place the mist blower on the ground when operating at high speed, because small objects such as sand, grass, dust, etc. may be pulled into the air intake and damage the fan wheel.
- During work breaks, do not leave the mist blower in the hot direct sunlight or near any heat source.
- All protective parts and guards supplied with the machine must be used during operation.
- Never operate the engine with a faulty exhaust muffler.
- Do not put your hand into exhaust vent. The muffler become very hot during operation, and may cause burns.
- Do not touch engine cover for long time. It may become hot during operation and may cause burns.
- Shut off the engine during transport (8).
- Position the mist blower safely during car or truck transportation to avoid fuel leakage.
- When transporting the mist blower, ensure that the fuel tank and liquid/chemical container are completely empty.



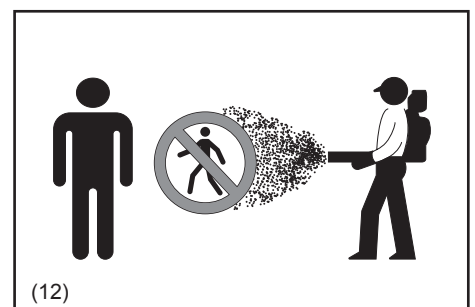
## Refueling

- Shut off the engine (8) during refueling, keep well away from open flame (9) and do not smoke.
- Avoid skin contact with petroleum products. Do not inhale fuel vapor. Always wear protective gloves during refueling. Change and clean protective clothing at regular intervals.
- Take care not to spill either fuel or oil in order to prevent soil contamination (environmental protection). Clean the mist blower immediately after fuel has been spilled. Allow wet cloths to dry before disposing in properly, covered container to prevent spontaneous combustion.
- Avoid any fuel contact with your clothing. Change your clothing immediately if fuel has been spilled on it (fire hazard).
- Inspect the fuel tank cap at regular intervals making sure that it stays securely fastened.
- Carefully tighten the locking screw of the fuel tank. Change locations to start the engine (at least 3 meters (10 feet) away from the place of refueling) (10).
- Never refuel in closed rooms. Fuel vapors accumulate at ground level (risk of explosions)
- Only transport and store fuel in approved containers. Make sure stored fuel is not accessible to children.
- Do not attempt to refuel a hot or a running engine.



## Method of operation

- Use the mist blower only in good light and visibility. During cold seasons beware of slippery or wet areas, ice and snow (risk of slipping). Always ensure a safe footing (11).
- Never work on unstable surfaces or steep terrain (11).
- If you are unfamiliar with the risks associated with the particular chemical you use, review the product label and/or material safety data sheet for that substance and/or consult the material manufacturer/supplier. You may also ask your employer, governmental agencies and other sources for information on hazardous materials. Some other authorities have published lists of substances known to cause cancer, reproductive toxicity, etc. (11).
- To reduce the risk of personal injury, do not direct air blast towards bystanders, since the high pressure of the air flow could injure eyes and could blow small objects at great speed (12).
- Never spray in the direction of humans, animals or property which might be injured or damaged by spraying (12).
- Never insert any foreign object into the air intake of the machine or into the nozzle of the mist blower. It will damage the fan wheel and may cause serious injury to the operator or bystanders as a result of the object or broken parts being thrown out at high speed.
- Pay attention to the direction of the wind, i.e., do not work against the wind.
- To reduce the risk of stumbling and loss of control, do not walk backward while operating the machine.
- Always shut off the engine before cleaning or servicing the unit or replacing parts.
- Take a rest to prevent loss of control caused by fatigue. We recommend to take a 10 to 20-minute rest every hour.



## After finishing work

- Always wash yourself thoroughly with soap and water after spraying or handling chemicals. Shower immediately, and wash all protective clothing separately from other items.

Follow any additional recommendations of the chemical manufacturer.

Always clean dust and dirt off the mist blower.

- Empty, rinse and clean solution tank and assembly after each use. This helps to prevent the solution from crystallizing, which could later cause clogging and chemical damage to the unit. In addition, residual chemicals may have undesirable effects during subsequent spraying with a different type of chemical (e.g., residual herbicide may damage or kill plants being sprayed with a pesticide).

Do not store the mist blower with spray solution in the solution tank.

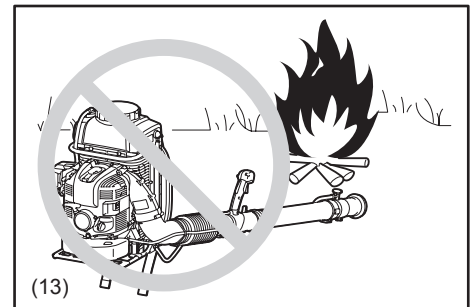
- Keep children, uninterested people and pets away from areas that have just been sprayed.

After the use of some chemicals, especially agricultural pesticides, a notice must be posted on the treated area that a "Restricted Entry Interval" (REI) is in effect.

See the chemical product's label and any applicable governmental regulations.

## Maintenance instructions

- Perform cleaning and maintenance before storage.
- Be kind to the environment. Operate the mist blower with as little noise and pollution as possible. In particular check the correct adjustment of the carburetor.
- Clean the mist blower at regular intervals and check that all screws and nuts are securely tightened.
- Never service or store the mist blower in the vicinity of open flames, sparks, etc. (13).
- Always store the mist blower in a well-ventilated locked room and with an emptied fuel tank and the emptied solution tank.



**Observe and follow all relevant accident prevention instructions issued by the trade associations and by insurance companies. Do not perform any modifications to the mist blower as this will risk your safety.**

The performance of maintenance or repair work by the user is limited to those activities as described in this instruction manual. All other work is to be done by Authorized Service Agents.

Use only genuine spare parts and accessories supplied by DOLMAR.

Use of non-approved accessories and machines means increased risk of accidents and injuries. DOLMAR will not accept any liability for accidents or damage caused by the use of any non-approved attachment or accessories.

## First Aid

In case of accident make sure that a well-stocked first-aid kit is available in the vicinity of the operations. Immediately replace any item taken from the first aid kit.

When asking for help, please give the following information:

- Place of accident
- What happened
- Number of injured persons
- Extent of injuries
- Your name



## Packaging

The DOLMAR mist blower is delivered in a protective cardboard box to prevent shipping damage. Cardboard is a basic raw material and is therefore consequently reusable or suitable for recycling (waste paper recycling).

## SAVE THESE INSTRUCTIONS.

### **WARNING:**

- DO NOT let comfort or familiarity with product (gained from repeated use) replace strict adherence to safety rules for the subject product. MISUSE or failure to follow the safety rules stated in this instruction manual may cause serious personal injury.



## For European countries only

### EC Declaration of Conformity

#### Makita declares that the following Machine(s):

Designation of Machine: Petrol Mist Blower  
Model No./ Type: SP-7650.4 R  
Specifications: see "TECHNICAL DATA" table

#### Conforms to the following European Directives:

2006/42/EC, 2000/14/EC

They are manufactured in accordance with the following standard or standardized documents:

EN ISO 28139, ISO 10988

The technical file in accordance with 2006/42/EC is available from:

Makita, Jan-Baptist Vinkstraat 2, 3070, Belgium

The conformity assessment procedure required by Directive 2000/14/EC was in accordance with annex V.

Measured Sound Power Level: 110.1 dB

Guaranteed Sound Power Level: 111 dB

8.7.2014



Yasushi Fukaya  
Director

Makita, Jan-Baptist Vinkstraat 2, 3070, Belgium

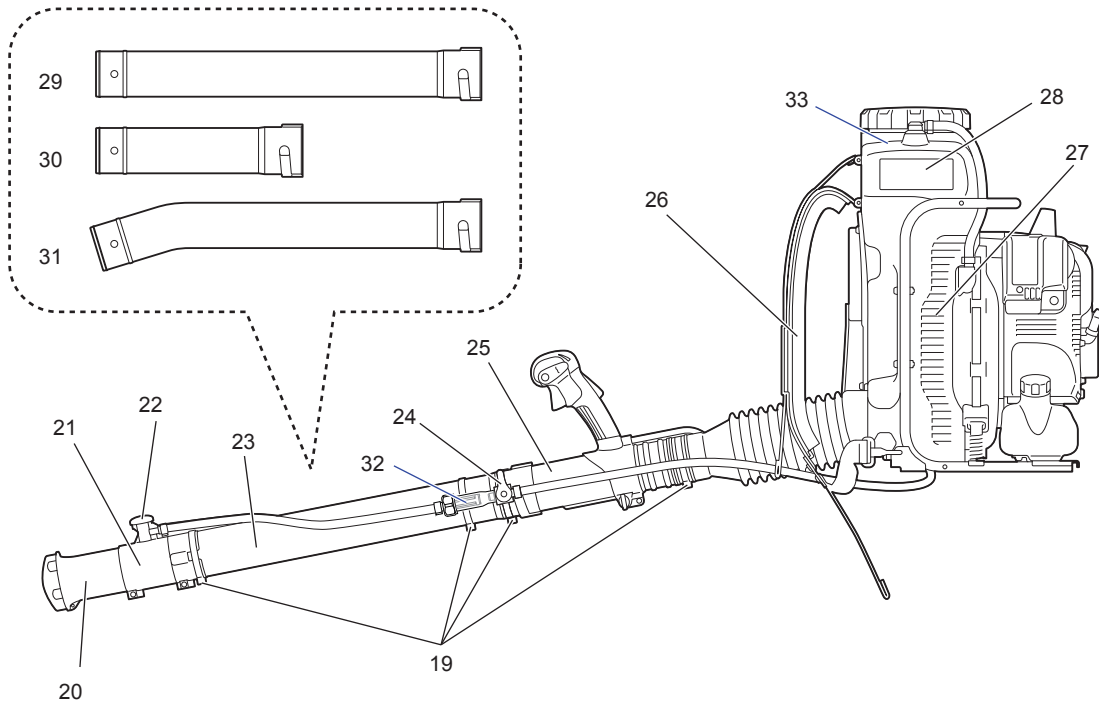
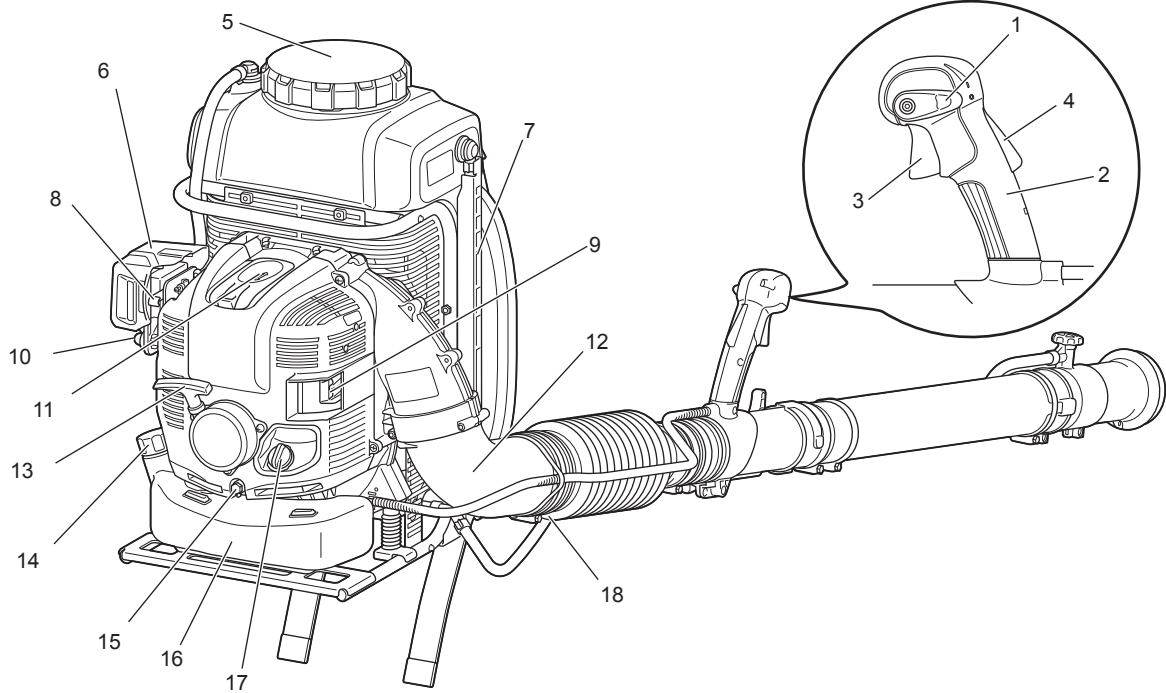
## TECHNICAL DATA

Model		SP-7650.4 R	
Weight (with full fuel, full chemical, 220 ml of engine oil)	(kg)	30.4	
Weight (dry weight)	(kg)	14.1	
Dimension (without blower pipe L x W x H)	(mm)	420 x 440 x 595	
Engine type		Air cooled, 4-stroke, single cylinder	
Max. engine performance	(kW)	2.7	
Max. engine speed	(min <sup>-1</sup> )	7,400	
Idling speed	(min <sup>-1</sup> )	2,800	
Engine displacement	(cm <sup>3</sup> )	75.6	
Fuel		Automobile gasoline	
Fuel tank capacity	(L)	1.8	
Engine oil		API grade SF class or higher, SAE 10W-30 oil (automobile 4-stroke engine oil)	
Engine oil volume	(L)	0.22	
Carburetor (Diaphragm-carburetor)		WALBRO WYK	
Spark plug		NGK CMR6A	
Electrode gap	(mm)	0.7 – 0.8	
Chemical tank capacity	(L)	15.0	
Spray range (Horizontal / Vertical)	(m)	16 / 13	
Max air velocity	(m/s)	85	
Air flow rate	(m <sup>3</sup> /min)	14.1	
Vibration per ISO 22867	a <sub>hv eq</sub>	(m/s <sup>2</sup> )	2.7
	Uncertainty K	(m/s <sup>2</sup> )	0.8
Sound pressure level average to ISO 22868	L <sub>PA eq</sub>	dB (A)	95.4
	Uncertainty K	dB (A)	2.9
Sound power level average to ISO 22868	L <sub>WA eq</sub>	dB (A)	110.1
	Uncertainty K	dB (A)	1.3

#### Note:

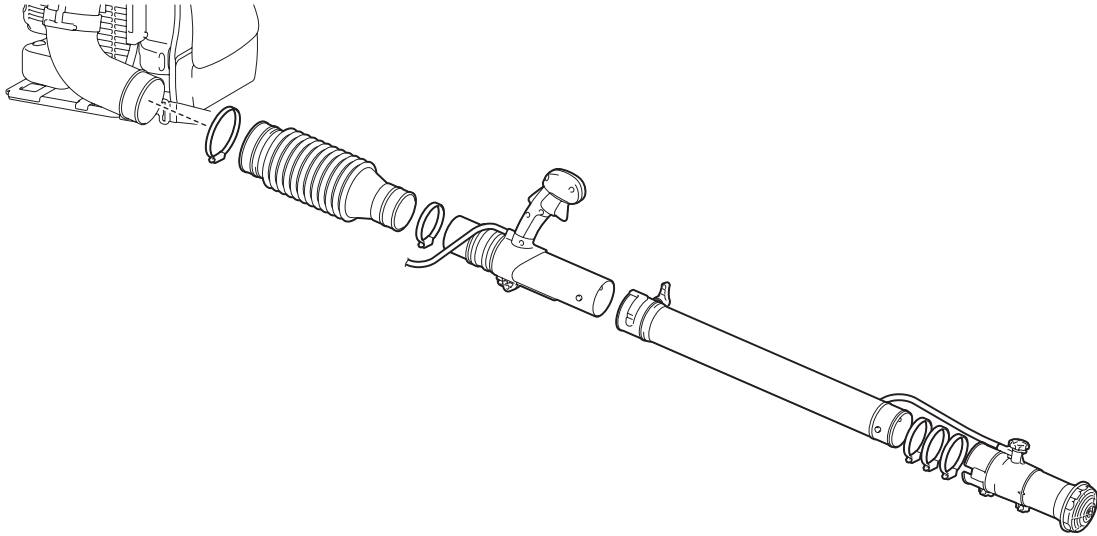
1. Use the oil and spark plug specified in the table.
2. This specification is subject to change without prior notice.
3. Use the level line 10 L as a guide line for the gross weight 25 kg of the mist blower including the solution.
4. Vibration and noise levels are measured with using the straight pipe (long).

## DESIGNATION OF PARTS



1. Stop control lever	12. Elbow	23. Straight pipe
2. Control handle	13. Starter handle	24. Solution discharge lever
3. Throttle trigger	14. Fuel tank cap	25. Swivel pipe
4. Lock-off lever	15. Oil drain bolt	26. Shoulder strap
5. Solution tank cap	16. Fuel tank	27. Air inlet net
6. Air cleaner cover	17. Oil cap	28. Solution tank
7. Tube for solution level check	18. Hose band (diameter 100 mm)	29. Straight pipe (long) (optional accessory)
8. Choke lever	19. Hose band (diameter 76 mm)	30. Straight pipe (short) (optional accessory)
9. Muffler	20. Top nozzle	31. Bent pipe (optional accessory)
10. Primer pump	21. Second nozzle	32. Strainer of tube joint
11. Plug cover	22. Liquid adjustment knob	33. Strainer of solution tank (in solution tank)

# ASSEMBLY INSTRUCTIONS



## Assembling mist blower pipes

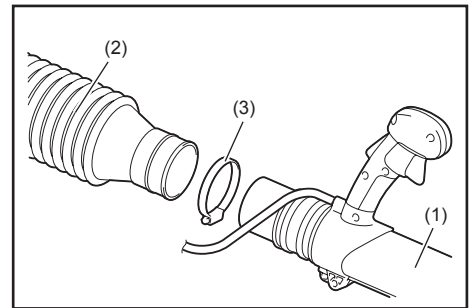
### ⚠ CAUTION:

- Before performing any work on the mist blower, always stop the engine and pull the spark plug connectors off the spark plug.
- Always wear protective gloves!
- Start the mist blower only after having assembled it completely.
- Make sure that all the hose bands are tight after assembly.

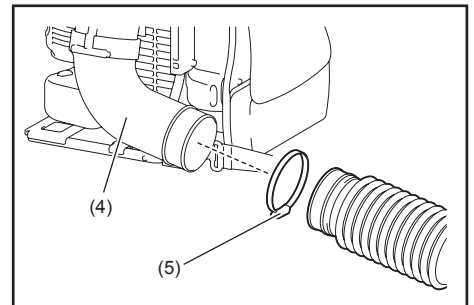
### NOTE:

- Make the band's bolt heads come outer side when you tighten them as illustrated.

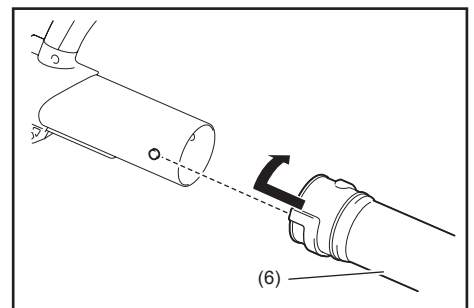
1. Assemble the swivel pipe (1) with the flexible pipe (2).  
Tighten them with the 76 mm diameter band (3).



2. Assemble the flexible pipe with the elbow (4) of the mist blower.  
Tighten them with the 100 mm diameter band (5).

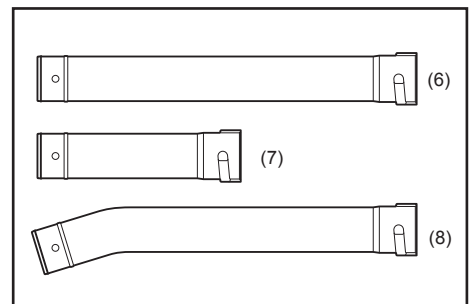


3. Assemble the straight pipe (6) with the swivel pipe (1).  
Align the groove of the straight pipe with the projection on the swivel pipe, and turn the straight pipe until it clicks, and then tighten them with the 76 mm diameter band (3).

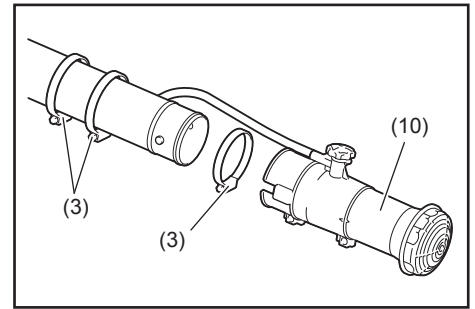


### NOTE:

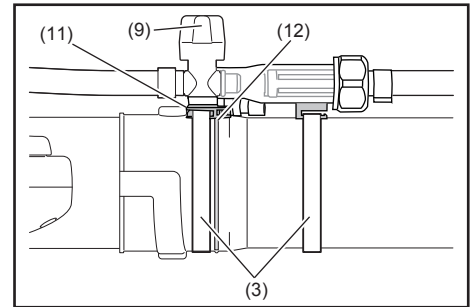
- The straight pipe stated above means the following three pipes and can be substituted depending on your work need.
    - Straight pipe (long) (6)
    - Straight pipe (short) (7)
    - Bent top pipe (8)
- Only one or combination of the above pipes is supplied as a standard equipment with your mist blower, which may differ from country to country.  
The remaining types of pipes may need to be obtained as optional accessories.



- Set two of 76 mm diameter bands (3) on the pipe loosely (those bands are used for tightening the solution discharge lever and tube joint later). Assemble the second nozzle (10) with straight pipe. Tighten them with another 76 mm diameter band (3).



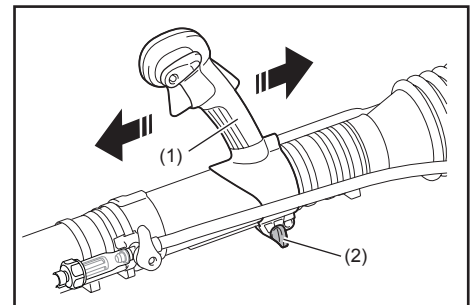
- Put the solution discharge lever (9) onto the pipe. Make sure that the open side of the lever's base (11) faces the swivel pipe. Align the lever's base with the gap of the projection on the straight pipe (12). Then tighten them with the 76 mm diameter bands (3).



- Make sure all clamps are tight.

### Adjusting and securing the control handle

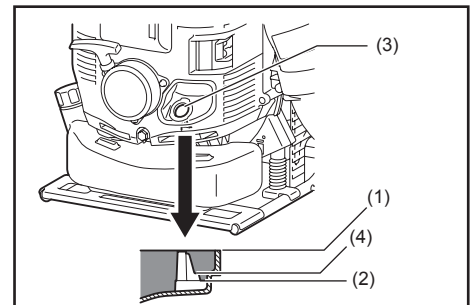
- Put the machine on your back and adjust the shoulder strap (see "Adjusting the shoulder strap").
- Slide the control handle (1) along the tube to the most comfortable position.
- Secure the control handle by turning the knob (2).



## BEFORE STARTING THE ENGINE

### 1. Checking and refilling engine oil

- Follow the procedure below when the engine oil is cold i.e. the mist blower has not been running.
  - Inspection: Set the blower down on a level surface and remove the oil cap. Verify that the oil level is within the upper (1) and lower (2) limit marks on the oil level gauge (3). If the oil is not up to the 100 mL level (4), fill up with new oil.
  - Adding oil: Set the mist blower down on a level surface and remove the oil cap. Fill the oil up to the upper limit of the oil level gauge.
- On average, engine oil normally needs to be added after every 20 hours of operation. This interval for every change in oil corresponds to refueling the mist blower approximately 10 – 15 times.
- Please change the oil whenever it becomes dirty or significantly changes color. (Refer to P. 22 for the oil change procedure and frequency.)



Recommended oil: DOLMAR genuine oil or SAE10W-30 oil of API type SF grade or better (4-stroke motor oil for automobiles)  
 Oil capacity: Approximately 0.22 L (220 mL)

#### ⚠ CAUTION:

- If the mist blower is not stored in an upright position, the oil may flow from the level gauge into the engine and give a false reading when checking the oil level. This may result in inadvertently overfilling whenever adding engine oil. Always store in an upright position.
- If the upper oil level limit is exceeded, this can result in the oil becoming dirty and white smoke from burning excess oil.

#### Check Point #1: Concerning the oil cap when adding oil

- Wipe off dirt and grime around the opening before removing the oil cap.
- Remove the oil cap and place it on a clean surface so that it does not accumulate any sand, dirt, or other foreign bodies. These may stick to the cap and adulterate the engine oil if proper care is not taken. Dirty oil containing sand, dirt, or foreign bodies may cause excessive wear on the engine due to improper lubrication and result in a breakdown.

### Check Point #2: If oil is spilled when adding oil

- Oil spillage on the outside on the mist blower may result in the engine oil becoming dirty or adulterated. Therefore, please wipe off any oil spillage before starting the engine.

## 2. Fuel supply

### WARNING:

- When supplying the fuel, be sure to observe the following instructions to prevent ignition or fire:
  - Fuel supply must be made in a place free of fire. Never bring the fire (smoking, etc.) near to the place of fuel supply.
  - Stop the engine and allow the engine to cool down before fuel supply.
  - Refuel on flat surface. Do not refuel on unstable or bad ventilated place.
  - Refuel in good light and visibility.
  - Refuel at open clear place.
  - Open the fuel tank cap full of fuel slowly. The fuel may sprout out under internal pressure.
  - Take care not to spill the fuel. Any spilled fuel must be wiped clean.
  - Do not fuel more than necessary.
  - Carry out fuel supply in a well-ventilated place.
- Handle the fuel with care.
  - Fuel sticking to the skin or entering an eye may cause allergies or irritation. When any physical abnormality is detected, consult the medical specialist immediately.

### Storage period of fuel

Fuel should be used up within a period of 4 weeks, even if it is kept in a special container in a well-ventilated shade. If a special container is not used or if the container is not covered, fuel may deteriorate in one day.

### Storage of machine and refill tank

- Keep the machine and tank at a cool place free from direct sunshine.
- Never keep the fuel in the cabin or trunk.

## Fuel

The engine is a 4-stroke engine. Be sure to use an automobile gasoline (regular gasoline or premium gasoline).

### Points for Fuel

- Never use a gasoline mixture which contains engine oil. Otherwise, it will cause excessive carbon accumulation or mechanical troubles.
- Use of deteriorated fuel will cause irregular startup.

When refueling the fuel, be sure to stop the engine and make sure that the engine cools down.

### Refuelling method

- Loosen the tank cap a little so that there will be no difference in atmospheric pressure.
- Detach the tank cap, and refuel, discharging air by tilting the fuel tank so that the refuel port will be oriented upward. (Never refill fuel full to the oil refill port.)
- After refueling, securely tighten the tank cap.
- If there is any flaw or damage on the tank cap, replace it.
- The tank cap will wear. Replace the tank cap every two to three years.

# STARTING AND STOPPING ENGINE

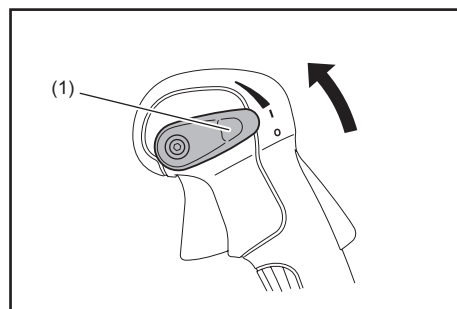
## 1. Starting

### ⚠ WARNING:

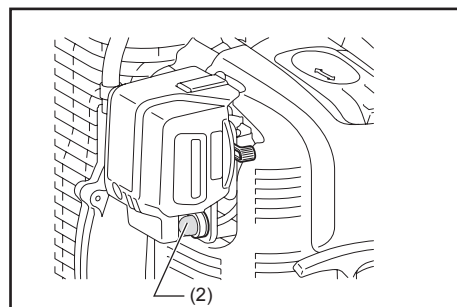
- Never attempt engine start in a place where the unit was refueled. When starting the engine, keep a distance of at least 3 m (10 feet).
  - Otherwise, it may cause ignition or fire.
- Exhaust gas from the engine is toxic. Do not operate the engine in a poorly-ventilated place, such as in a tunnel, building, etc.
  - Operating the engine in the poorly-ventilated place may cause poisoning by exhaust gas.
- In case of detection of any abnormality in sound, odor, vibration after start, stop the engine immediately and carry out inspection.
  - If the engine is operated without attending such abnormality, an accident may occur.
- Make sure that the engine stops when the stop control lever is set to "O" position.
- Make sure that the solution discharge lever is closed before starting the machine.

### 1) When the engine is cold, or after refuelled (cold start):

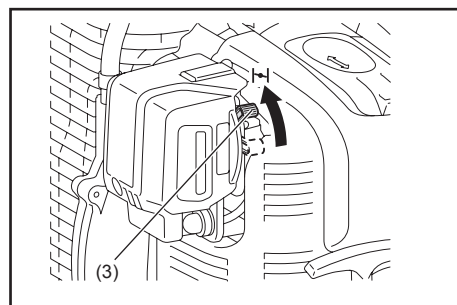
- (1) Set this machine on a flat space.
- (2) Set the stop control lever (1) to "I" position.



- (3) Push the primer pump (2) several times until fuel enters into the primer pump.
  - In general, fuel enters into the carburetor by 7 to 10 pushes.
  - If the primer pump is pushed excessively, an excess of gasoline returns to the fuel tank.

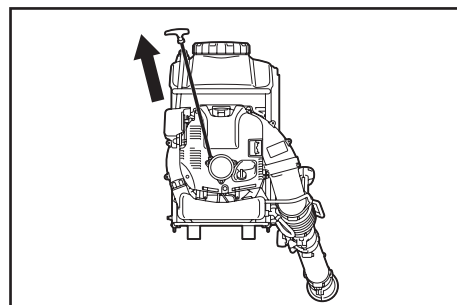


- (4) Lift the choke lever (3).



- (5) Hold the air cleaner cover with a left hand to prevent the engine from moving, settle down to take the stable position.

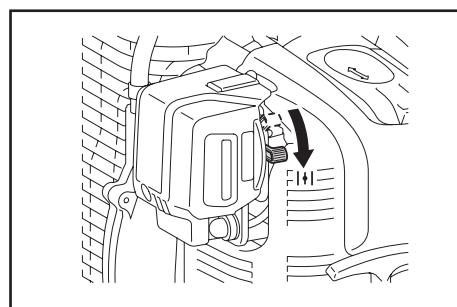
- (6) Pull the starter handle slowly until feeling compression. Then pull it strongly. It may take two to four attempts until engine starts.
  - Do not pull the rope to the full extension.
  - Return the starter handle gently into the housing. Otherwise released starter handle may hit your body or it may not rewind appropriately.



- (7) When the engine starts, gradually lower the choke lever while checking the engine operation. Be sure to lower the choke lever fully in the end.
  - In cold or when the engine is cooled down, always lower the choke lever slowly. Otherwise, the engine may stop.

- (8) Grasp the control handle (the lock-off lever is released by the grasp) and pull the throttle trigger for warm-up operation. Continue warm-up operation for 2 to 3 minutes.

- (9) When the rotation of the engine stabilizes and the engine accelerates smoothly from low to high speed by throttle movement, it is completion of warming-up.



**NOTE:**

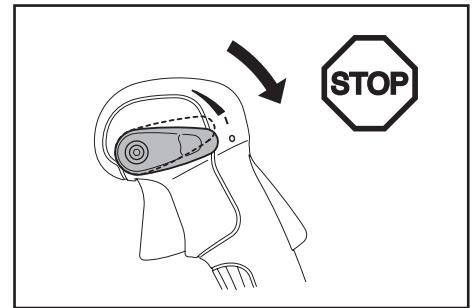
- The engine may be damaged if the choke lever is moved further beyond the “CLOSE” position.
- If the engine stops with an explosion sound or if the engine started, but stopped before operation of the choke lever, return it to the “OPEN” position and pull the starter handle several times to start the engine again.
- If the operator keeps pulling the starter handle several times with the choke lever left in the “CLOSE” position, the engine may be difficult to start because of over-suction of the fuel.
- In case of over-suction of the fuel, remove the spark plug and pull the handle several times rapidly to discharge any excess fuel. Dry the spark plug electrode.
- When the throttle valve does not return to a position in contact with the idling adjusting screw even if the throttle trigger is set to the low speed, correct the control cable catching state to ensure proper return of the valve.

**2) When the engine is warm (warm start)**

- (1) Place the engine on a flat ground.
- (2) Press the primer pump several times.
- (3) Make sure that the choke lever is down.
- (4) Hold the air cleaner cover with a left hand to prevent the engine from moving, settle down to take the stable position.
- (5) Pull the starter handle slowly until feeling compression. Then pull it strongly.
- (6) When the engine is difficult to start, open the throttle valve by 1/3.

**2. Stopping**

- 1) Release the throttle trigger to reduce the engine speed, and set the stop control lever to the “O” position.



**ADJUSTING IDLE SPEED**

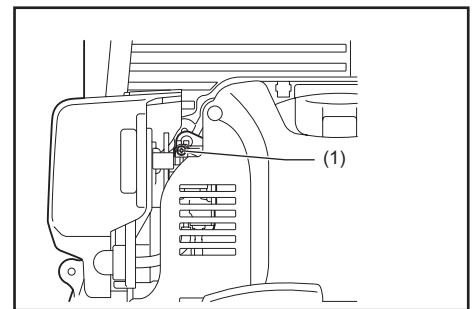
**⚠ DANGER:**

- The adjustment of the carburetor is completed at the time of factory shipment. Please do not adjust other than idling adjusting. When adjustment becomes necessary, please consult your authorized service center.

**Checkup of idle speed**

Set the idle speed rotation to 2,800 min<sup>-1</sup>.

- If it is necessary to change the rotation speed, regulate the adjusting screw (1), with Phillips screwdriver.
- Turn the adjusting screw to the right, and the engine rotation will increase. Turn the adjusting screw to the left, and the engine rotation will drop.



## OPERATION METHOD

### Installing the strainer

The mist blower is provided with the strainers at the solution tank opening and the pipe inlet head.

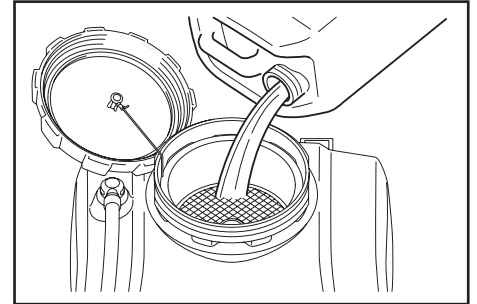
Always make sure the strainer is installed in place.

To install the strainer, push it in place.

To remove the strainer, pry it out of place.

#### ⚠ WARNING:

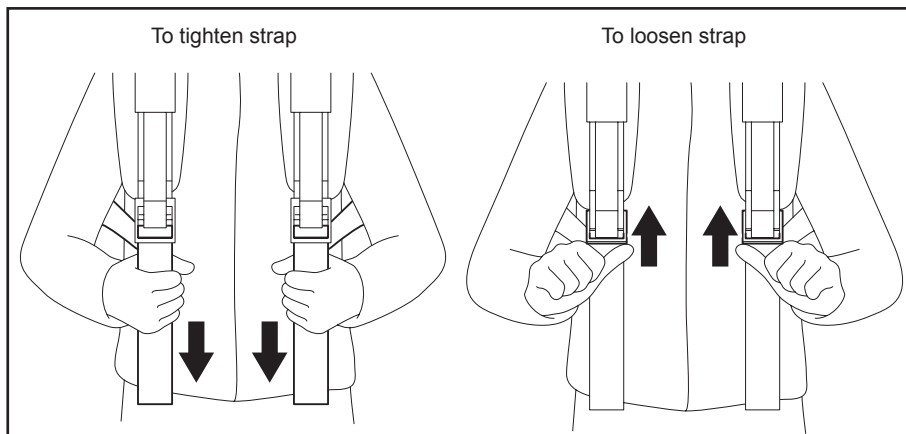
- Tighten the tank cap firmly. Failure to tighten the tank cap may cause solution leakage, pressure reduction and the like.



### Adjusting the shoulder strap

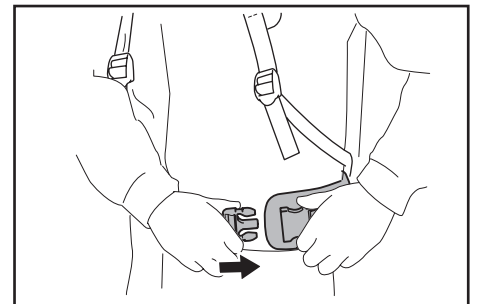
Adjust the shoulder strap to a length that is comfortable to work while carrying the mist blower.

Adjust as shown in the figure.



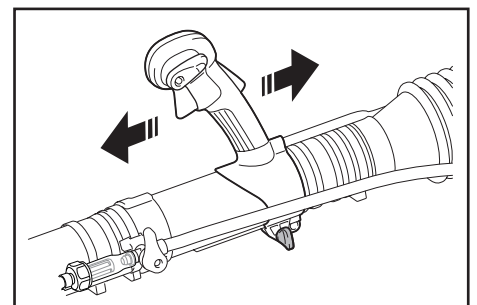
### Hip belt (optional accessory)

The hip belt (optional accessory) enables the operator to carry the appliance more stably.



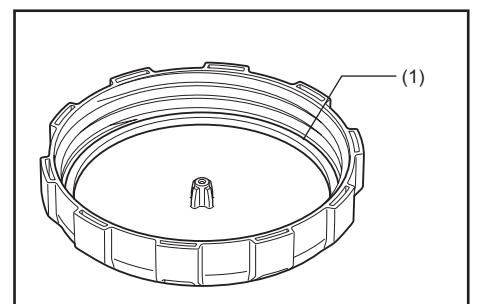
### Adjusting the control handle

Move the control handle along the swivel pipe to the most comfortable position.



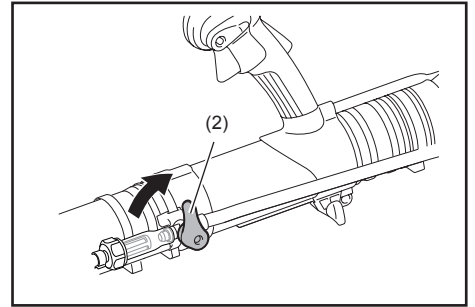
### Filling the solution tank

1. Keep the gasket (1) in good condition and lubricated with grease and clean.
2. Put the mist blower on a flat surface.





3. Before filling the solution tank, be sure to close the solution discharge lever (2).



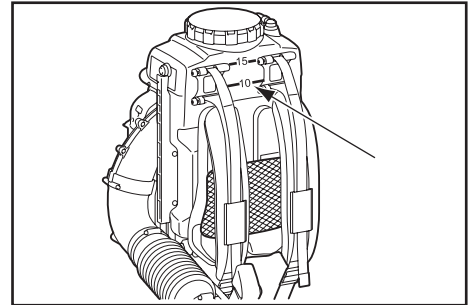
4. The solution tank is capable of 15 liters of solution.

When the tank is full, the total weight including solution is nearly 30 kg.

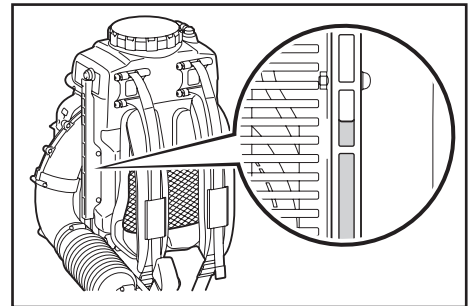
Adjust the solution pouring volume so that the mist blower with solution in tank is not overweighted and can be within an operator's strength.

When 10 liters of solution is poured (that is, when the poured solution level points 10 liters marking on the side of the tank), the total product weight is nearly 25 kg.

It is recommended that the total weight of the machine does not exceed 30 kg for men, and 25 kg for women.

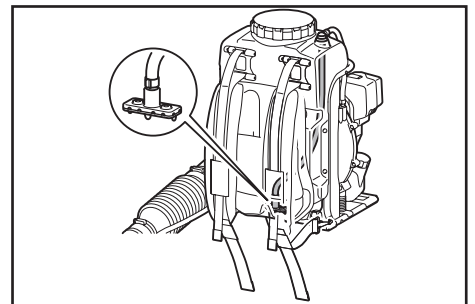


Use the solution level in the tube on the side of the mist blower as a guideline to check the solution level in the solution tank.



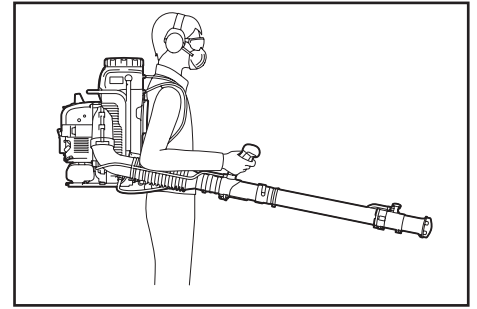
### Solution mixing function

The solution mixing device inside the solution tank allows solution to be mixed with air bubbles coming out of it during spraying operation.

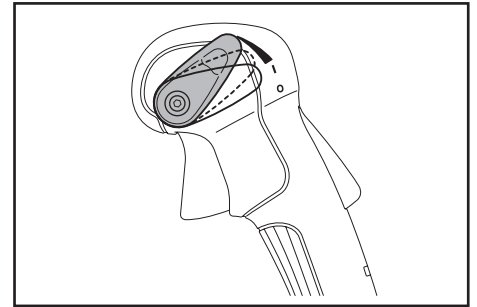


### Mist blower operation

To increase engine speed, grasp the control handle (the lock-off lever is released by the grasp) and pull the throttle trigger.  
 Pressure on the throttle trigger controls engine speed.

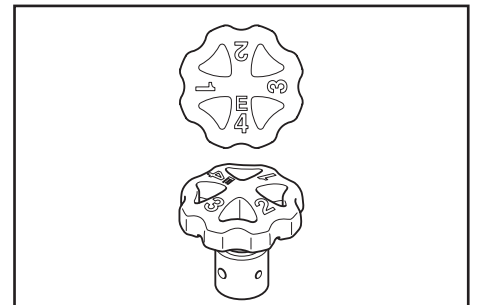


Position of the stop control lever can restrict the angle of the throttle trigger. There are four positions for the stop control lever. "O"(engine stop), "I", and two throttle trigger angle restriction positions. "I" position does not restrict the engine speed (you can pull the throttle trigger fully). The throttle trigger angle gets restricted from one step above the "I" position. The throttle trigger is more restricted when you move the stop control lever one more step above the "I" position. Adjust engine speed appropriate for the work location and conditions during operation.

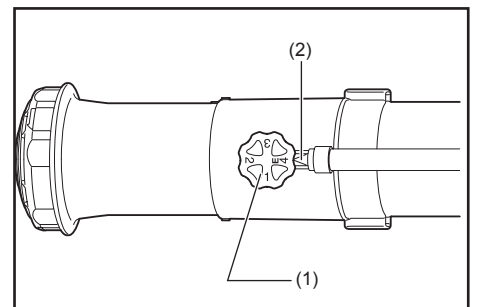


### Liquid adjustment knob

Liquid adjustment knob allows a wide range of different discharge rates.



Adjusting the discharge rate  
 Turn the liquid adjustment knob (1) on the second nozzle to obtain the desired discharge rate so that the number on the liquid adjustment knob is aligned with the triangle marking (2).



Discharge rate  
 Spray holding the straight pipe with the angle of 0 degrees to minus degrees to the horizontal.

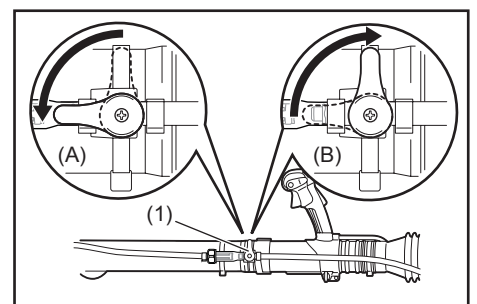
Knob position	Discharge rate (L/min) (mean value)
1	0.36
2	1.0
3	1.6
4	2.5

**NOTE:**

- Use the figures shown in the above table as a guide line for operation and these may be changed according to the density of chemical solution used in the solution tank.

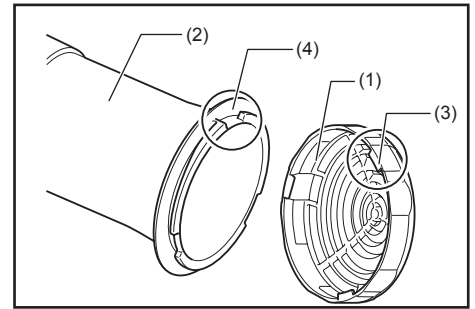
### Solution discharge lever

To start the solution feeding (A), turn the solution discharge lever (1) horizontally to the pipe.  
 To stop the solution feeding (B), turn the solution discharge lever vertically to the pipe.

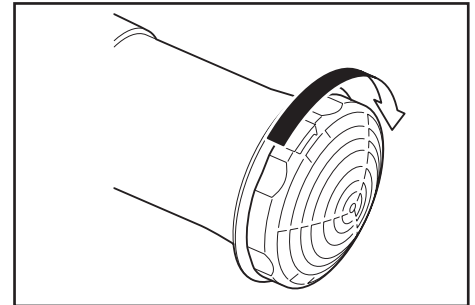


## Installing and removing the dispersion cover

To install the dispersion cover (1), mount the dispersion cover on the top nozzle (2) so that its protrusion (3) is aligned with the notch (4) in the top nozzle.



Secure the dispersion cover by turning it fully clockwise.



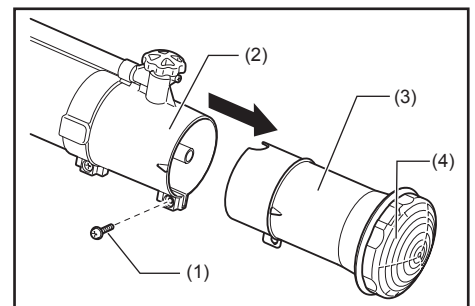
To remove the dispersion cover, follow the above procedure in reverse.

## Changing the nozzle to a small-amount-solution-discharge nozzle (optional accessory)

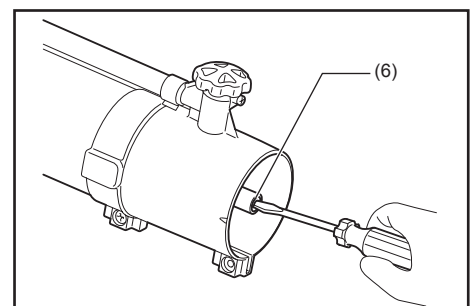
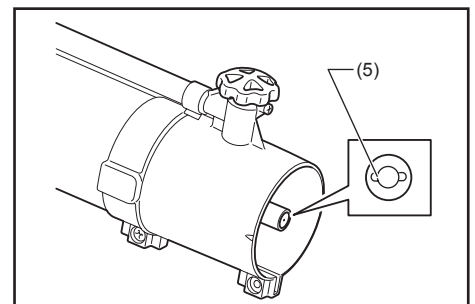
When a small amount of solution needs to be sprayed, replace the nozzle cap with another type of supplied nozzle cap with a small discharge hole.

To replace the nozzle, follow the procedure below.

1. Remove the screw (1) from the second nozzle (2) and then remove the top nozzle (3) and dispersion cover (4).



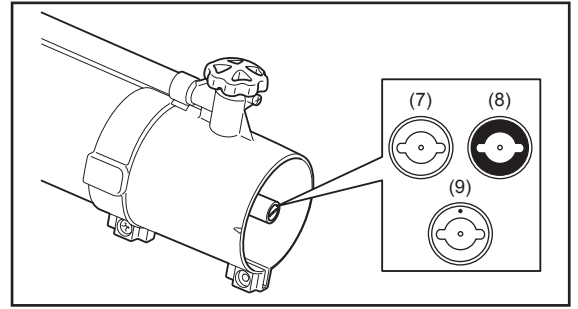
2. Fit a slotted bit screwdriver to the slit (5) in the nozzle top and remove the nozzle cap (6) by turning it fully counterclockwise.



3. Mount another supplied nozzle with a small discharge hole.

**NOTE:**

- Choose a right nozzle out of the following two according to the kind (viscosity) of the chemical you use.



Nozzle type	Viscosity of chemical	Example of chemical	Discharge rate (L/min)*1
Aluminum nozzle (silver color) (7) *2	High	MALATHION (Mix the oil.)	0.14
Brass nozzle (gold color) (8) *2	Low	Aqua K-Othrine (Mix the water.)	0.075
Brass nozzle with punch marking (gold color) (9) *2	Low	Cipermetrinato (Mix the water.)	0.060

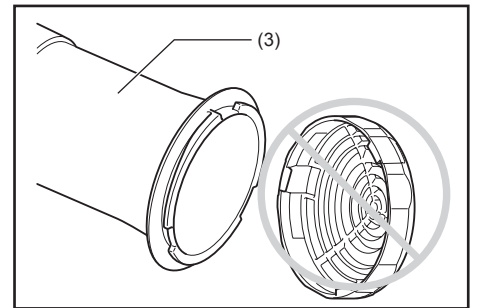
**Note 1:** The discharge rate shown in the table is that in case of water only used for a guide line. This varies by chemicals being used.

**Note 2:** The type of the nozzle(s) provided with the mist blower changes from country to country.

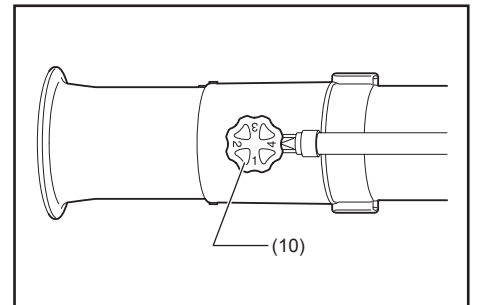
4. Mount the top nozzle (3) and secure it with the screw (1).

**NOTE:**

- When using an above small-amount-solution-discharge nozzle, do not mount the dispersion cover (4) and put it aside so that it is not lost.



5. Set the knob (10) to the position 4.

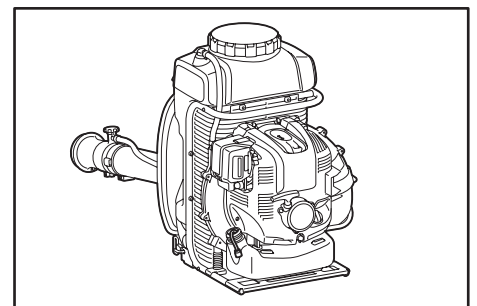


**TRANSPORTING THE MIST BLOWER**

Please keep the mist blower in an upright position whenever transporting or storing. Transporting or storing in a position that is not upright may cause oil to spill inside the mist blower engine. This may result in oil leaks and white smoke from burning oil, and the air cleaner may become dirty with oil.

**⚠ DANGER:**

- When transporting and storing the mist blower, be sure to stop the engine.



## Draining and cleaning the solution tank

### ⚠ WARNING:

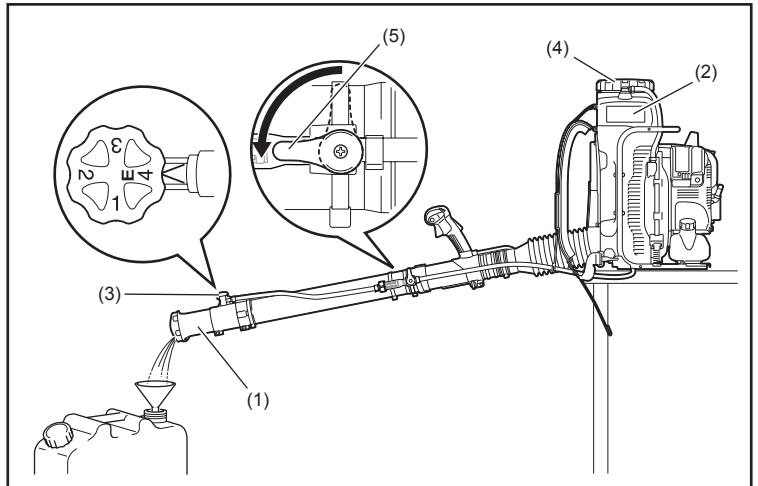
- Always wear rubber/chemical-resistant gloves when cleaning and draining the solution tank.

### Draining the solution tank

### ⚠ WARNING:

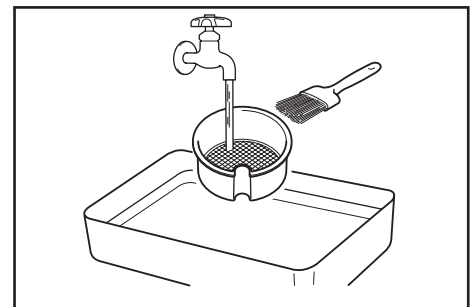
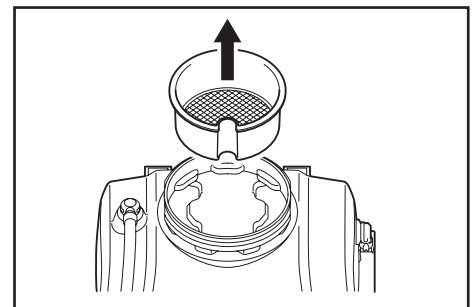
- Never dispose chemical or rinsed water by opening the cap at the bottom of the solution tank.
- Before and after draining, make sure that the solution discharge lever is closed.
- If chemical solution is still remained in the solution tank after the method mentioned in the instruction manual, tilt the machine towards pipe side to pour out all the remained solution.

1. Put the mist blower onto a stable place. Position the nozzle (1) lower than the bottom of solution tank (2), and place a receiving container beneath it.
2. Set the knob (3) to the position E.
3. Open the solution tank cap (4) slightly to release pressure of the tank.
4. Open the solution discharge lever (5). Chemical solution is discharged from the nozzle.
5. Clean the tank inside with water.



### Cleaning the strainer of solution tank

Remove the tank cap, take out the strainer from inside the tank and then clean it after use.

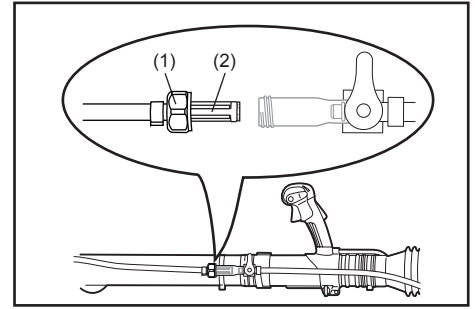


## Cleaning the tube joint

### ⚠ WARNING:

- Do not remove the hose band, tube, or cap, when the solution discharge lever is open.
- Do not loosen the cap when the solution discharge lever is open.

1. Loosen and remove the cap (1) that comes out with the strainer (2).
2. Clear dust and particles away from strainer.
3. Put the strainer back to the original position. Be sure to tighten the cap firmly.



## INSPECTION AND MAINTENANCE

### ⚠ DANGER:

- Before inspection and maintenance, stop the engine and allow it to cool. Remove also the spark plug and plug cap.
  - If inspection or maintenance is attempted immediately after engine stop or with the plug cap left attached, the operator may suffer burn or an accident due to careless startup.
- After inspection and maintenance, make sure that all parts are assembled. Then, proceed to operation.
- Always wear rubber/chemical-resistant gloves for inspection and maintenance.

### NOTICE:

- Never use gasoline, benzene, thinner, alcohol or the like. Discoloration, deformation or cracks may result.

## Replacement of engine oil

Deteriorated engine oil will shorten the life of the sliding and rotating parts to a great extent. Be sure to check the period and quantity of replacement.

### ⚠ DANGER:

- In general, the engine main unit and engine oil still remain hot just after the engine is stopped. In replacement of oil, make sure that the engine main unit and engine oil are sufficiently cooled down. Otherwise, there may remain a risk of burn. In addition just after of the engine stops all the oil may not return to crank case. Do not check the oil level right after engine stops.
- If the oil filled above the limit, it may be contaminated or may catch fire with white smoke.

**Interval of replacement:** Initially, every 20 operating hours, and subsequently every 50 operating hours

**Recommended oil:** SAE10W-30 oil of API Classification SF Class or higher (4-stroke engine oil for automobile)

## Oil change procedure

1. Set the mist blower down on a level surface.
2. Place a waste oil container under the drainage hole (1) to catch the oil as it drains out. The container should have a capacity of at least 220 mL to be able to catch all of the oil.
3. Loosen the oil drain bolt (2) to let the oil drain out. Be careful not to allow oil to get on the fuel tank or other parts.

### ⚠ CAUTION:

- Be careful not to lose the gasket (aluminum washer) (3). Place the oil drain bolt (2) in a location where it will not accumulate dirt.

4. Remove the oil cap (4). (Removing the oil cap (4) allows the oil to drain easily.)

### ⚠ CAUTION:

- Be sure to set the oil cap (4) down in a location where it will not accumulate dirt.

5. As the level of the oil being drained decreases, tilt the mist blower over on to the side with the drain so that the oil will completely drain out.

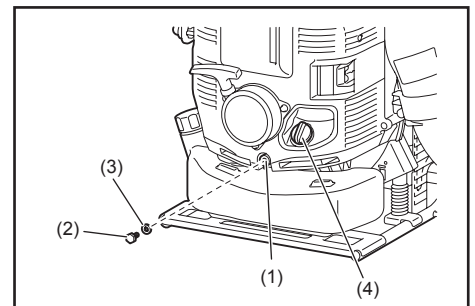
6. After the oil has completely drained out, tighten the oil drain bolt (2) securely. If the bolt is not tightly fastened, this may result in an oil leak.

### ⚠ CAUTION:

- Do not forget to put the gasket (aluminum washer) (3) back on when reattaching the drain plug.

7. Adding oil during the oil change procedure is performed in the same manner as the separately explained procedure for adding oil whenever the level is insufficient. Always add oil by filling from the opening under the oil cap. (Specified oil level: Approximately 220 mL)

8. After filling with oil, tighten the oil cap (4) securely to prevent oil leaks.



### Points in replacement of engine oil

- Never discard replaced engine oil in garbage, earth or sewage ditch. Disposal of oil is regulated by law. In disposal, always follow the relevant laws and regulations. For any points remaining unknown, contact Authorized Service Agent.
- Oil will deteriorate even when it is kept unused. Perform inspection and replacement at regular intervals (replace with new oil every 6 months).

### Cleaning of air cleaner

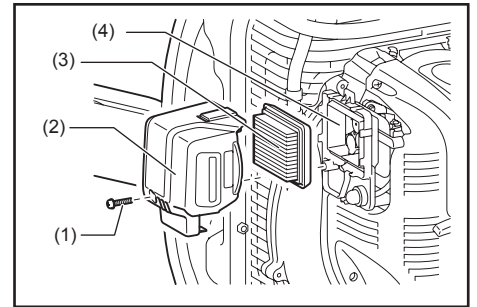
**⚠ WARNING:** INFLAMMABLES STRICTLY PROHIBITED

Interval of Cleaning and Inspection: Daily (every 10 operating hours)

1. Loosen the knob bolt (1).
2. Remove the air cleaner cover (2).
3. Take out the element (3) and remove any dirt with the brush.

**NOTE:**

- The element is a dry type and should not get wet. Never wash with water.
4. Replace the element with a new one if it is damaged or very dirty.
  5. Wipe off any oil that has come into contact with the breather with a rag or cloth.
  6. Install the element in the cleaner case (4).
  7. Attach the air cleaner cover and tighten the knob bolt.



**⚠ DANGER:**

- Clean the element several times a day, if excessive dust adheres to it.
- If operation continues with the element remaining not cleared of oil, oil in the air cleaner may fall outside, resulting in oil contamination.

### Checking the spark plug

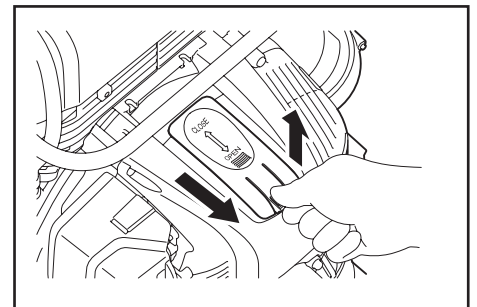
**⚠ CAUTION:**

- When removing the spark plug, clean the spark plug and cylinder head first, so that no dirt, sand, etc will enter the cylinder.
- You must remove the spark plug after the engine has cooled down in order to avoid damaging the threaded hole in the cylinder.
- The spark plug must be installed properly into the threaded hole. If installed at an angle, the threaded hole in the cylinder will get damaged.

1. Opening/closing the plug cover

To open the plug cover, pull up on the seam of the plug cover projection and slide in the direction of the "OPEN" indication as shown in the figure at right.

When closing the cover, slide the cover in the "CLOSE" direction till the click under the plug cover projection rides over the engine cover. Finally, push in the projection.

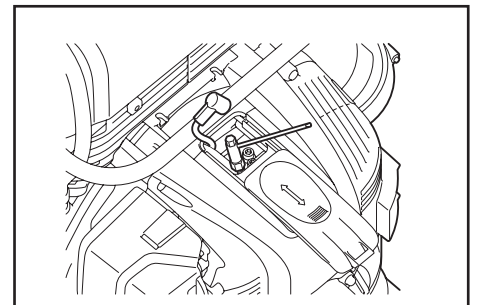


2. Removing the spark plug

Use an attached box wrench to remove or install the spark plug.

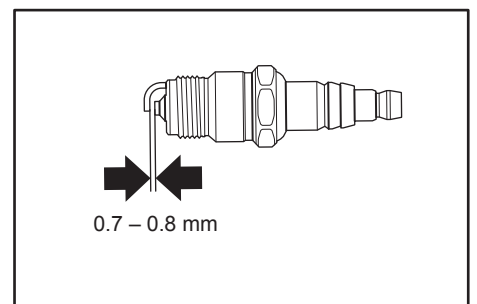
3. Checking the spark plug

The clearance between two electrodes of spark plug (see the figure) is 0.7 to 0.8 mm. Adjust to the correct clearance when it is too wide or too narrow. Clean thoroughly or replace the spark plug if it has accumulated carbon or contaminated.



4. Replacing the spark plug

For replacement, use NGK-CMR6A.

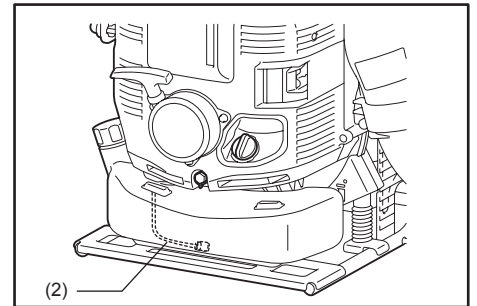
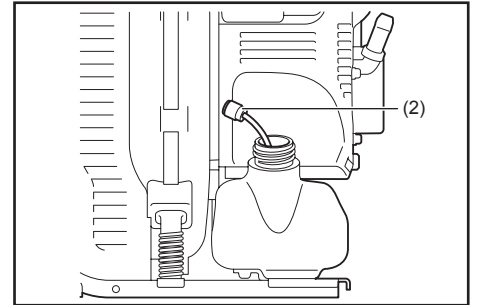
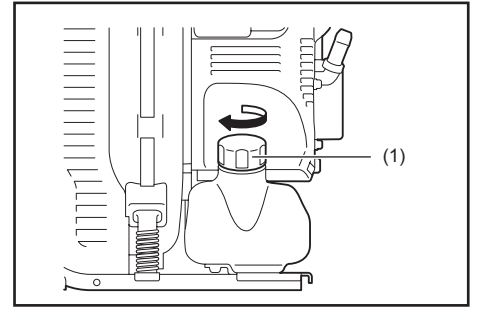


### Cleaning the fuel filter

- Clogged fuel filter may cause difficulty of start-up or failure of engine speed increase.
  - Check the fuel filter regularly as follows:
1. Remove the fuel tank cap (1), drain the fuel to empty the tank. Check the tank inside for any foreign materials. If any, wipe clean such materials.
  2. Pull out the fuel filter (2) with wire through the fuel filling port.
  3. If the fuel filter surface is contaminated, clean it with gasoline. Foul gasoline must be disposed of according to the method specified by each local authority. Excessively foul filter must be replaced.
  4. Reset the fuel filter in the fuel tank and tighten firmly the fuel tank cap.

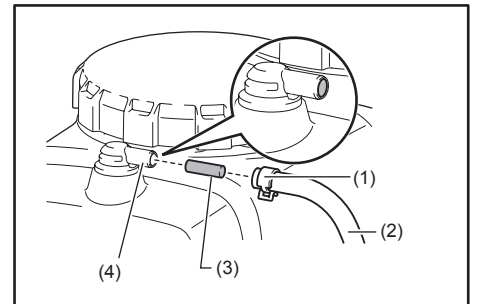
#### NOTE:

- When resetting the fuel filter in the tank, return it to the position as shown in the figure.  
For replacement, contact your authorized service center.



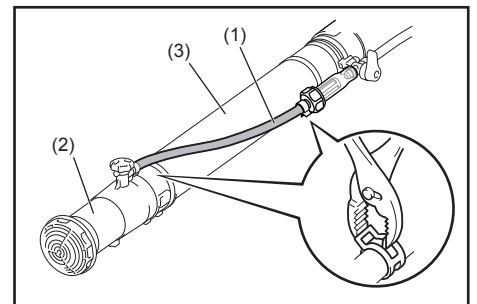
### Cleaning the joint pipe cleaner element

1. Remove the hose band (1) and the hose (2).
2. Pull out the element (3) and remove any dirt from it with a brush. If it is difficult to pull out the element, use a slender stick to catch it out.
3. Replace the element with a new one if it is damaged or very dirty.
4. Press the element into the joint pipe (4) until the element tail is flush with its port end.
5. Install the hose and secure it with a hose band.



### Replacement of solution hose

- Check the solution hose (1) frequently. Damaged hose may result in leakage of chemical solution. Replace the hose if necessary as follows.
1. Remove the nozzle (2) from the pipe (3).
  2. Loosen the hose band, and then replace the old hose with new one.



### Inspection of bolts, nuts and screws

- Retighten loose bolts, nuts, etc.
- Check for fuel and oil leakage.
- Replace damaged parts with new ones for safety operation.

### Replacement of gaskets and packings

In reassembling after the engine is dismantled, be sure to replace the gaskets and packings with new ones.

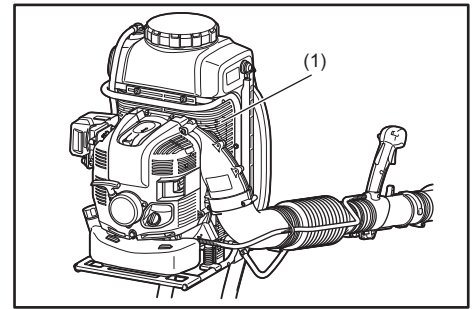


## Cleaning of parts

- Keep the engine always clean.
- Keep the cylinder fins free of dust or dirt. Dust or dirt adhering to the fins will cause seizure.
- Blowing air is taken in from the air inlet net (1). When airflow has dropped down during operation, stop engine and inspect the air inlet net for blocking by obstacles.
- Note that failure to remove any such obstacles may result in the engine becoming overheated and damaged.

### ⚠ WARNING:

- Never use the mist blower without the net of the mist blower. Before each use, check that the net is attached in place and is free from any damage.



Any maintenance of adjustment work that is not included and described in this manual is only to be performed by Authorized Service Centers.

## STORAGE

### Draining the fuel

#### ⚠ WARNING:

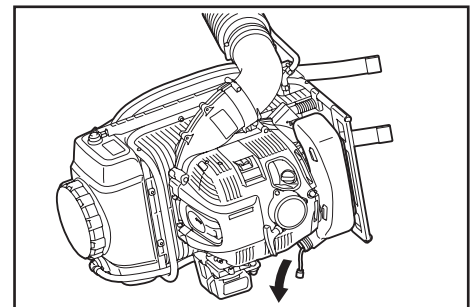
- When draining the fuel, be sure to stop the engine and confirm that the engine cools down.
  - Just after stopping the engine, it may still hot with possibility of burns, inflammability and fire.

#### ⚠ CAUTION:

- When the machine is kept out of operation for a long time, drain up all fuel from the fuel tank and carburetor, and keep it at a dry and clean place.

Drain up fuel from the fuel tank and carburetor according to the following procedure:

- 1) Remove the fuel tank cap, and drain fuel completely.  
If there is any foreign matter remaining in the fuel tank, remove it completely.
- 2) Pull out the fuel filter from the refill port using a wire.
- 3) Push the primer pump until fuel is drained from there, and drain fuel coming into the fuel tank.
- 4) Reset the filter to the fuel tank, and securely tighten the fuel tank cap.
- 5) Then, continue to operate the engine until it stops.
- 6) Remove the spark plug, and drip several drops of engine oil through the spark plug hole.
- 7) Gently pull the starter handle so that engine oil will spread over the engine, and attach the spark plug.
- 8) During storage, please keep the machine upright.
- 9) Keep the drained fuel in a special container in a well-ventilated shade.



### Draining the solution tank

#### ⚠ WARNING:

- When draining the solution tank, be sure to stop the engine and confirm that the engine cools down.
  - Just after stopping the engine, it may still hot with possibility of burns, inflammability and fire.

Before storing the mist blower, drain the solution tank by referring to the section titled "Draining and cleaning the solution tank".

### Cleaning the strainer at the top of the solution tank

When storing the mist blower, always clean the strainer at the top of solution tank.  
To clean the strainer, refer to the section titled "Draining and cleaning the solution tank".

### Cleaning the strainer at the tube joint

When storing the mist blower, always clean the strainer at the tube joint.  
To clean the strainer, refer to the section titled "Draining and cleaning the solution tank".

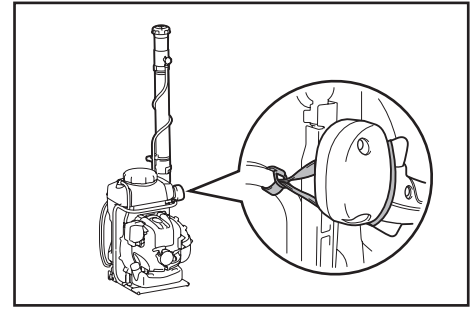
#### ⚠ CAUTION:

- When storing the mist blower, be sure to stop the engine.

## Retaining the straight pipe with a supplied hand strap

When storing the mist blower, retain the straight pipe with a supplied hand strap tied to the frame.

Retaining the pipe in this position will be easy to transport the unit.



## Maintenance interval

Item	Operating time	Before operation	After lubrication	Daily (10h)	30h	50h	200h	Shutdown/ rest	Corresponding Page
Engine oil	Inspect	○							12
	Replace					○ <sup>*1</sup>			22
Tightening parts (bolt, nut)	Inspect	○							24
Strainer of solution tank	Inspect	○							21
	Clean			○					21
Strainer of tube joint	Inspect	○							22
	Clean			○					22
Fuel tank	Clean/inspect	○							—
	Drain fuel							○ <sup>*3</sup>	25
Throttle trigger	Check function		○						—
Stop control lever	Check function		○						15
Idle speed	Inspect/adjust			○					15
Air cleaner	Clean			○					23
Ignition plug	Inspect			○					23
Cooling air duct	Clean/inspect			○					25
Fuel pipe	Inspect			○					24
	Replace						◎ <sup>*2</sup>		—
Fuel filter	Clean/replace					○			24
Clearance between air intake valve and air discharge valve	Adjust						◎ <sup>*2</sup>		—
Oil tube	Inspect						◎ <sup>*2</sup>		—
Engine overhaul							◎ <sup>*2</sup>		—
Carburetor	Drain fuel							○ <sup>*3</sup>	25

\*1 Perform initial replacement after 20h operation.

\*2 For the 200 operating hour inspection, request Authorized Service Center or a machine shop.

\*3 After emptying the fuel tank, continue to run the engine and drain fuel in the carburetor.

# TROUBLESHOOTING

Before making a request for repairs, check a trouble for yourself. If any abnormality is found, control your machine according to the description of this manual. Never tamper or dismount any part contrary to the description. For repairs, contact Authorized Service Agent or local dealership.

State of abnormality	Probable cause (malfunction)	Remedy
Engine does not start.	I-O switch is set to STOP.	Set the I-O switch to START.
	Failure to operate primer pump.	Push 7 to 10 times.
	Low pulling speed of starter rope.	Pull strongly.
	Lack of fuel.	Feed fuel.
	Incorrect choke position.	Set to "CLOSE" (cold start). Set to "OPEN" (warm start).
	Clogged fuel filter.	Clean.
	Bent or blocked fuel tube.	Straighten or replace fuel tube.
	Deteriorated fuel.	Deteriorated fuel makes starting more difficult. Replace with new one. (Recommended replacement: 1 month)
	Excessive suction of fuel.	Set throttle lever from medium speed to high speed, and pull starter handle until engine starts. If engine will not start still, remove spark plug, make electrode dry, and reassemble them as they originally are. Then, start as specified.
	Detached plug cap.	Attach securely.
	Contaminated spark plug.	Clean.
	Abnormal clearance of spark plug.	Adjust clearance.
	Abnormality of spark plug.	Replace.
	Abnormal carburetor.	Make request for inspection and maintenance.
Starter rope cannot be pulled, or no compression is felt.	Make request for inspection and maintenance.	
Abnormal drive system/electric system. (I-O switch fault, wiring fault, connector fault, etc.).	Make request for inspection and maintenance.	
Engine stops soon. Engine speed does not increase.	Insufficient warm-up.	Perform warm-up operation.
	Choke lever is set to "CLOSE" although engine is warmed up.	Set to "OPEN".
	Low idle speed.	Adjust idle speed.
	Clogged fuel filter.	Clean.
	Contaminated or clogged air cleaner.	Clean.
	Abnormal carburetor.	Make request for inspection and maintenance.
	Exhaust muffler fault (clogged etc.).	Make request for inspection and maintenance.
	Abnormal drive/electric system.	Make request for inspection and maintenance.
	Detached throttle wire.	Attach securely.
Engine does not stop. ↓ Run engine at idling, and set choke lever to CLOSE.	Detached connector.	Attach securely.
	Abnormal electric system.	Make request for inspection and maintenance.

When the engine does not start after warm-up operation:  
If there is no abnormality found for the check items, open the throttle by about 1/3 and start the engine.

Nous vous remercions d'avoir choisi un atomiseur à essence DOLMAR, fruit d'un important programme de développement et d'années de connaissances et d'expérience accumulées.

Cet atomiseur allie les avantages d'une technologie de pointe à une conception ergonomique. Ces outils de qualité professionnelle sont pratiques, compacts, et utilisés dans de nombreuses applications.

**Lisez, assimilez et respectez les instructions figurant dans ce manuel, qui traite en détail des différents points permettant de tirer le meilleur parti possible des performances de votre atomiseur DOLMAR, en toute sécurité.**



**Table des matières**

	<b>Page</b>
Symboles.....	28
Importantes consignes de sécurité.....	29
Caractéristiques techniques.....	35
Nomenclature.....	36
Instructions de montage.....	37
Avant de démarrer le moteur.....	38
Mise en marche et arrêt du moteur.....	40
Réglage du ralenti.....	41
Mode opératoire.....	42
Inspection et entretien.....	48
Remisage.....	51
Dépannage.....	53

**SYMBOLES**

Lors de la lecture des instructions figurant dans ce manuel, prêtez une attention particulière aux symboles suivants :

	AVERTISSEMENT/DANGER		Portez une protection respiratoire
	Lisez, assimilez et respectez les instructions figurant dans ce manuel		Surfaces chaudes – Risque de brûlures
	Interdit		Carburant (essence)
	Interdiction de fumer		Démarrage manuel du moteur
	Flamme nue interdite		Arrêt d'urgence
	Portez des chaussures solides à semelles antidérapantes.		Premiers secours
	Portez des vêtements de protection adaptés		ON/Marche
	Port de gants de protection obligatoire		OFF/STOP
	Éloignez les personnes présentes lors de la pulvérisation		Pales en rotation - Risque de sectionnement des doigts ou de la main
	Maintenez les personnes et les animaux domestiques à l'écart de la zone de travail		Les cheveux longs risquent de se prendre dans les pièces en mouvement
	Port de protections des yeux et des oreilles obligatoire		Vapeurs ou gaz toxiques. Ne pas utiliser dans une zone non ventilée.

# IMPORTANTES CONSIGNES DE SÉCURITÉ

## ⚠ AVERTISSEMENT :

- Veuillez lire toutes les consignes de sécurité et instructions. Le non-respect des mises en garde et des instructions peut entraîner un choc électrique, un incendie et/ou des blessures graves.

## Conservez toutes les mises en garde et instructions pour référence ultérieure.

### Généralités

- Pour garantir un bon fonctionnement en toute sécurité, vous devez lire, assimiler et respecter les instructions figurant dans ce manuel pour vous familiariser avec la manipulation de l'atomiseur (1). Les utilisateurs mal informés risquent, par des manipulations inappropriées, de se blesser ou de blesser leur entourage.
- Il est conseillé de ne prêter cet appareil qu'aux personnes ayant déjà une certaine expérience des atomiseurs.
- Fournissez-leur aussi le manuel d'instructions.
- Les utilisateurs novices doivent demander au vendeur les explications de base leur permettant de se familiariser avec l'atomiseur.
- Les enfants et les jeunes gens de moins de 18 ans ne doivent pas être autorisés à utiliser l'atomiseur. Les personnes âgées de plus de 16 ans peuvent cependant utiliser l'outil pour apprendre à s'en servir, mais uniquement sous le contrôle direct d'un formateur qualifié.
- Utilisez toujours l'atomiseur avec prudence.
- N'utilisez l'atomiseur que si vous êtes en bonne condition physique.
- Faites très attention à tout ce que vous faites. En tant qu'utilisateur, vous êtes responsable des autres.
- N'utilisez jamais l'atomiseur lorsque vous êtes sous l'influence d'alcool ou de médicaments (2).
- N'utilisez pas l'appareil lorsque vous êtes fatigué.
- Conservez soigneusement ce manuel afin de pouvoir vous y référer ultérieurement.

### Utilisation prévue de l'outil

- Utilisez un outil adapté. L'atomiseur est destiné uniquement à la pulvérisation de produits chimiques liquides et autres liquides afin de lutter contre les ravageurs et les mauvaises herbes sur les fruits, les fleurs et les légumes potagers, sur les arbres, les buissons et autres végétaux tels que le café, le tabac et le coton. Il est aussi utile pour l'entretien des jeunes arbres, par exemple pour la lutte contre le scolyte et autres ravageurs, ainsi que pour la lutte contre les maladies des végétaux.  
Ne l'utilisez jamais à d'autres fins.
- Utilisez uniquement des produits phytosanitaires spécifiquement approuvés par leur fabricant pour une utilisation avec un atomiseur, et conformes à toutes les réglementations, normes et ordonnances relatives à la sécurité.

Demandez au vendeur les informations nécessaires pour faire fonctionner votre atomiseur. Respectez toutes les réglementations, normes et ordonnances locales relatives à la sécurité.

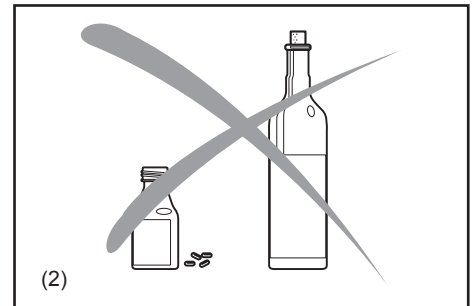
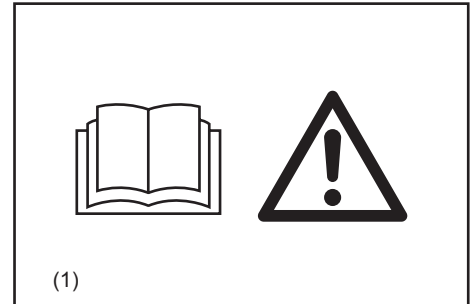
Toutes les personnes chargées de l'utilisation et de l'entretien doivent être formées et familiarisées avec les procédures adéquates de manipulation des produits chimiques utilisés, ainsi qu'avec les premiers secours/soins d'urgence et les réglementations relatives à l'élimination des produits chimiques liquides.

## ⚠ AVERTISSEMENT :

- Votre atomiseur est destiné uniquement à un usage professionnel. Ne prêtez pas et ne louez pas votre atomiseur sans le manuel d'instructions. Assurez-vous que toute personne l'utilisant comprend les informations contenues dans ce manuel d'instructions.

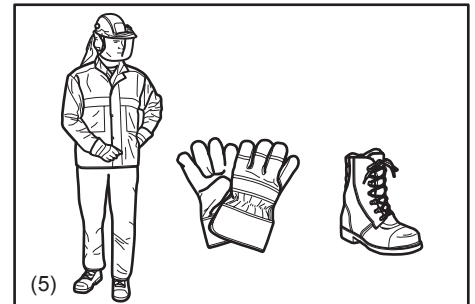
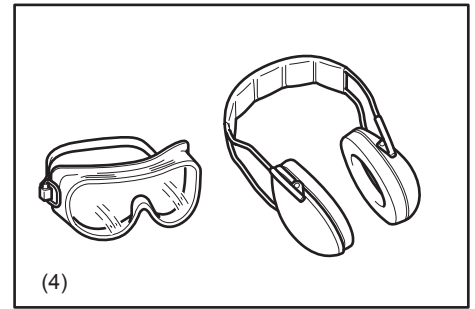
### Équipement de protection personnelle

- Afin de réduire le risque de blessure lié à l'utilisation de produits chimiques, portez des vêtements protecteurs adaptés lors du remplissage, de l'utilisation et du nettoyage de l'atomiseur. Respectez toujours les instructions du fabricant de produits chimiques en ce qui concerne la protection oculaire, respiratoire et de la peau. Elles peuvent être différentes et plus contraignantes que les précautions suivantes.
- Lors de l'utilisation de produits chimiques toxiques, l'opérateur et toutes les personnes présentes peuvent être obligés de porter un respirateur bien ajusté et approuvé pour le produit chimique utilisé. Référez-vous à l'étiquette du produit chimique. L'inhalation de produits chimiques toxiques peut entraîner des blessures graves ou mortelles.
- Portez des vêtements fonctionnels et adaptés, c'est-à-dire ajustés, mais n'entravant pas vos mouvements. Ne portez pas de bijoux ou de vêtements qui pourraient être happés par l'entrée d'air, attachez les cheveux longs. (3)
- Pour éviter les blessures à la tête, aux yeux, aux mains, aux pieds et les blessures auditives, portez les équipements et les vêtements de protection suivants lorsque vous utilisez l'atomiseur.



## Prêtez une attention particulière aux consignes suivantes

- Les vêtements doivent être résistants et ajustés, sans toutefois entraver la liberté de mouvement. Évitez les vestes amples, les pantalons à jambes larges, les écharpes, les cheveux longs non attachés, ou tout ce qui pourrait être happé par l'entrée d'air.  
Portez un pantalon long pour protéger vos jambes.  
Ne portez pas de pantalon court. (5)
- Le bruit de l'atomiseur risque d'altérer votre audition. Portez des protections antibruit (bouchons d'oreille, serre-tête antibruit). Si vous utilisez l'appareil de façon régulière et continue, faites vérifier votre ouïe régulièrement. (4)
- Portez toujours des gants en caoutchouc/résistants aux produits chimiques lorsque vous utilisez l'atomiseur. Un bon appui au sol est essentiel. Portez des chaussures en caoutchouc/résistantes aux produits chimiques. (5)
- Protégez-vous soigneusement les yeux. Même si l'évacuation est dirigée à l'opposé de l'opérateur, des ricochets et des rebonds peuvent se produire en cours de fonctionnement. (4)
- N'utilisez jamais l'atomiseur sans porter des lunettes de sécurité munies d'une protection supérieure et latérale appropriées et conformes à la norme ANSI Z 87.1 (ou à la norme en vigueur dans votre pays).



## MANIPULATION DES PRODUITS CHIMIQUES

- Certains produits chimiques utilisés avec votre atomiseur peuvent contenir des substances toxiques et/ou corrosives. De tels produits chimiques peuvent être dangereux et provoquer des blessures graves ou mortelles pour les personnes et les animaux, et/ou porter gravement atteinte aux végétaux et à l'environnement. Évitez tout contact direct avec les produits chimiques.  
Respectez les instructions du fabricant de produits chimiques en ce qui concerne le contact avec son produit.
- Lisez l'étiquette du fabricant et le manuel d'instructions chaque fois avant de mélanger ou d'utiliser le produit chimique, et avant de le stocker ou de l'éliminer.  
Ne vous fiez pas à votre mémoire.  
Une utilisation imprudente ou incorrecte peut entraîner des blessures graves ou mortelles.
- Lisez attentivement les étiquettes sur les conteneurs de produits chimiques avant utilisation.  
Les produits chimiques sont classés en catégories en fonction de leur toxicité.  
À chaque catégorie correspondent des règles de manipulation spécifiques.  
Familiarisez-vous avec les règles spécifiques à la catégorie du produit chimique que vous utilisez.  
Les produits chimiques ne doivent être utilisés que par des personnes formées à leur manipulation et aux mesures de premiers secours appropriées.
- Les produits chimiques peuvent être nocifs pour les personnes, les animaux et l'environnement en cas d'utilisation incorrecte. Il est de plus recommandé de ne pas utiliser certains produits chimiques caustiques, corrosifs ou toxiques dans votre atomiseur.
- Mélangez uniquement des pesticides compatibles. Des mélanges incorrects peuvent générer des vapeurs toxiques.  
Lors de la manipulation et de la pulvérisation de produits chimiques, assurez-vous que vous respectez les règles et les directives locales et nationales de protection de l'environnement. Ne procédez pas à la pulvérisation en cas de vent. Pour contribuer à la protection de l'environnement, utilisez seulement la dose recommandée – évitez toute utilisation excessive.  
Faites particulièrement attention lors d'une utilisation à proximité de cours d'eau, plans d'eau, voies navigables, etc.
- Évitez de manger, de boire et de fumer (et de manière générale d'ouvrir la bouche) lorsque vous manipulez des produits chimiques ou que vous les pulvérisez. Ne soufflez jamais avec la bouche dans les buses, tubes, tuyaux et autres composants. Manipulez toujours les produits chimiques dans une zone bien ventilée, et portez toujours des vêtements de protection et des équipements de sécurité appropriés.  
Ne stockez pas et ne transportez pas de produits chimiques avec des aliments, des boissons, des médicaments, et ne réutilisez jamais un conteneur de produits chimiques à d'autres fins.  
Ne transférez pas les produits chimiques liquides dans d'autres conteneurs, en particulier dans des récipients alimentaires (nourriture, boissons).
- En cas de contact accidentel avec des produits chimiques, d'ingestion ou de contamination des vêtements, arrêtez immédiatement le travail et consultez les instructions du fabricant de produits chimiques.  
En cas de doute sur la marche à suivre, demandez immédiatement conseil à un centre antipoison ou à un médecin.  
Gardez l'étiquette du produit à portée de la main pour le lire ou le montrer à la personne que vous consultez.  
Nettoyez immédiatement tout déversement de produit chimique.  
Éliminez les résidus conformément aux lois et réglementations locales ou nationales.
- Conservez les produits chimiques hors de la portée des enfants, des personnes non autorisées et des animaux.  
Lorsque vous ne les utilisez pas, entreposez les produits chimiques dans un lieu sûr et fermé à clé. Suivez les recommandations du fabricant concernant le stockage.

## Préparation des produits chimiques

- Préparez les solutions chimiques conformément aux instructions du fabricant de produits chimiques.
- Préparez juste assez de solution pour le travail à effectuer, de manière à ce qu'il n'en reste pas.
- Mélangez les produits chimiques en respectant strictement les instructions – des mélanges incorrects peuvent générer des vapeurs toxiques ou des mélanges explosifs.
- Ne pulvérisez jamais des produits chimiques non dilués.
- Préparez les solutions et remplissez le réservoir à l'extérieur, uniquement dans un lieu bien ventilé.
- L'opérateur doit préciser le nom du produit chimique qu'il utilise.

## Remisage

- Ne stockez pas la solution de pulvérisation plus d'un jour dans le réservoir.
- Stockez et transportez la solution de pulvérisation uniquement dans des conteneurs approuvés.
- Ne stockez jamais et ne transportez jamais la solution de pulvérisation dans des conteneurs alimentaires (nourriture, boissons, aliments pour animaux).
- Ne stockez jamais et ne transportez jamais la solution de pulvérisation avec de la nourriture, des boissons ou des aliments pour animaux.
- Conservez la solution de pulvérisation hors de la portée des enfants, des personnes non autorisées et des animaux.
- Stockez la solution de pulvérisation dans un lieu sûr et fermé à clé, pour éviter toute utilisation non autorisée.

## Élimination

Ne jetez jamais les résidus de produits chimiques ou les solutions de rinçage contaminées dans les cours d'eaux, plans d'eau, voies navigables, drains, égouts, caniveaux, regards, etc.

L'élimination des solutions de rinçage contaminées doit se faire en conformité avec toutes les lois, réglementations et ordonnances en vigueur.

Respectez strictement les instructions de sécurité du fabricant de produits chimiques.

## Remplissage du réservoir

- Serrez tous les raccords et vérifiez que tous les tubes et les tuyaux sont fermement fixés et en bon état. Laissez le levier de commande de la pulvérisation en position fermée.
- Avant d'utiliser l'atomiseur avec des produits chimiques, remplissez-le d'eau douce afin de vérifier qu'il est correctement monté et de vous entraîner à son utilisation. Vérifiez aussi l'absence de fuites. Une fois bien familiarisé avec le fonctionnement de l'atomiseur, suivez les procédures de fonctionnement normal.
- Remplissez l'atomiseur à l'extérieur, dans une zone bien ventilée.
- Ne remplissez jamais l'atomiseur avec :
  - des produits inflammables, qui peuvent provoquer une explosion et entraîner des blessures graves ou mortelles ;
  - des substances caustiques ou corrosives, qui risquent d'endommager l'appareil ;
  - des liquides à une température supérieure à 50 °C, afin de réduire le risque de brûlure et de détérioration de l'appareil.

Pour remplir le réservoir de solution, placez l'atomiseur sur une surface plane, dans un endroit bien éclairé, où la visibilité est bonne, et remplissez-le avec la solution. Afin de réduire le risque de contamination de l'environnement immédiat, faites attention à ne pas trop remplir le réservoir de solution.

Afin de réduire le risque de blessure, ne remplissez pas l'atomiseur lorsque vous le portez sur le dos.

Si vous remplissez le réservoir de solution avec un tuyau raccordé à une alimentation en eau courante, assurez-vous que l'extrémité du tuyau ne trempe pas dans la solution, afin de réduire le risque de refoulement (aspiration des produits chimiques dans le réseau d'eau en cas de dépression soudaine).

Calculez la bonne quantité de solution chimique, de manière à ce qu'elle soit utilisée en une seule fois et qu'il n'en reste pas dans le réservoir.

Après le remplissage, remettez le bouchon du réservoir de solution en place et serrez-le fermement.

- Vérifiez l'absence de fuite pendant le remplissage et l'utilisation. En cas de fuite au niveau du réservoir de solution ou de raccord desserré, la solution risque d'imbiber vos vêtements et d'entrer en contact avec votre peau.

## Démarrage de l'atomiseur

- Assurez-vous que personne (et a fortiori aucun enfant) ne se trouve dans une zone d'action de 20 mètres autour de l'appareil (6). Faites aussi attention aux animaux. N'utilisez jamais l'atomiseur dans des zones urbaines.

- Avant le démarrage, vérifiez que l'atomiseur est en bon état de marche : Vérifiez le bon fonctionnement de la gâchette de commande d'accélération. Celle-ci doit pouvoir être manipulée facilement et sans à-coup. Vérifiez le bon fonctionnement du système de verrouillage de la gâchette de commande d'accélération.

Assurez-vous que les poignées sont propres et sèches et vérifiez le fonctionnement du commutateur de marche/arrêt. Les poignées ne doivent pas présenter de traces d'huile ou de carburant.

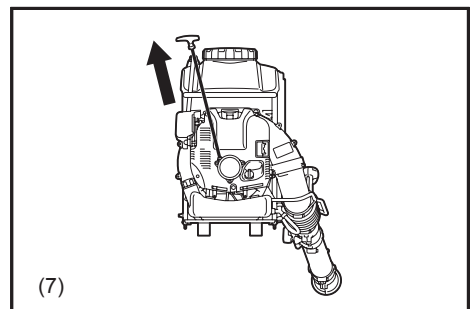
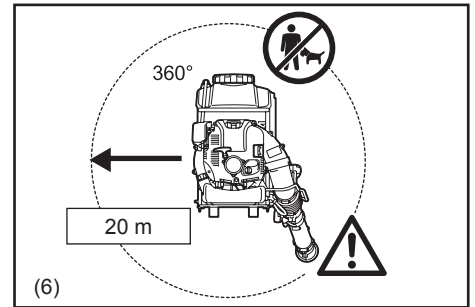
- Afin de réduire le risque de fuite et de contact de la peau avec les produits chimiques, vérifiez que le bouchon du réservoir de solution et tous les raccords du circuit de pulvérisation sont bien serrés, et vérifiez que le tuyau est fermement fixé et en bon état. Laissez le levier de commande de la pulvérisation en position fermée.
- Assurez-vous que le levier de commande de la pulvérisation est en position fermée avant de démarrer l'outil.
- Vérifiez que le capuchon de bougie est fermement monté sur la bougie – un capuchon lâche risque de créer un arc électrique qui peut enflammer les vapeurs combustibles et causer un incendie.
- Vérifiez l'état des courroies du harnais et remplacez celles qui sont détériorées ou usées.
- Ajustez les courroies d'épaule en fonction de votre taille avant de commencer à travailler.  
En cas d'urgence, vous pouvez faire glisser les courroies d'épaule et vous débarrasser rapidement de l'outil en le jetant. Exercez-vous plusieurs fois à retirer le harnais avant d'utiliser l'outil, afin de vous habituer à cette manœuvre. Ne vous débarrassez pas de l'outil en le jetant lorsque vous vous entraînez, car vous risquez de l'endommager.
- Lorsque vous tirez sur la poignée du démarreur, n'enroulez pas le cordon du démarreur autour de votre main. Ne laissez pas la poignée du démarreur revenir brusquement en arrière, guidez le cordon du démarreur pour le rembobiner correctement.

Le non-respect de cette procédure peut entraîner des blessures à la main ou aux doigts, et endommager le mécanisme du démarreur.

- L'aide d'une autre personne peut être nécessaire pour placer l'atomiseur sur votre dos après démarrage. Afin de réduire le risque de blessures pour votre assistant (projection d'objets, contact avec des produits chimiques pulvérisés ou liquides, contact avec les gaz d'échappement chauds), mettez le moteur au ralenti pendant cette courte période, et ne laissez pas votre assistant se tenir à proximité du tube d'éjection ou de l'échappement. Sinon, démarrez et utilisez l'atomiseur sans aide.
- Mettez l'atomiseur en marche en respectant les instructions.
- N'utilisez pas d'autres méthodes de mise en marche du moteur (7) !
- Utilisez l'atomiseur et les accessoires fournis uniquement pour les applications spécifiées.
- Ne mettez le moteur de l'atomiseur en marche qu'une fois l'outil entièrement assemblé. L'outil ne fonctionne que lorsque tous les accessoires appropriés sont montés.
- En cas de problème, arrêtez immédiatement le moteur.
- Utilisez l'atomiseur d'une seule main, avec la main droite sur la poignée de commande. Portez-le comme un sac à dos, en plaçant les courroies d'épaule sur vos deux épaules.

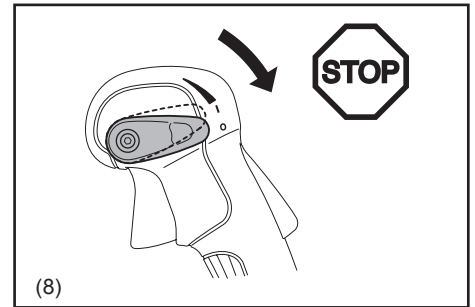
Afin de réduire le risque de perte de contrôle, ne portez jamais l'atomiseur sur une seule épaule.

- Lorsque vous travaillez avec l'atomiseur, tenez fermement la poignée en plaçant vos doigts autour de celle-ci, et en serrant la poignée de commande entre le pouce et l'index. Maintenez la main dans cette position pour garder le contrôle de l'appareil en permanence. Vérifiez que la poignée de commande est en bon état et qu'elle est exempte d'humidité, de goudron, d'huile ou de graisse.
- Conservez toujours une position stable et un bon appui au sol.
- Afin de réduire le risque de déversement, maintenez le réservoir de solution vertical ; ne vous penchez pas. Pliez les genoux et appuyez-vous si nécessaire pour garder votre équilibre.  
Souvenez-vous qu'un atomiseur rempli de liquide représente un poids considérable. Faites très attention lorsque vous marchez, lorsque vous vous penchez ou lorsque vous vous appuyez.
- Utilisez l'atomiseur de manière à éviter toute inhalation des gaz d'échappement. Ne mettez jamais le moteur en marche dans des locaux fermés (risques d'asphyxie et d'empoisonnement par les gaz d'échappement). Le monoxyde de carbone est un gaz inodore.  
Assurez-vous toujours que la ventilation est suffisante.
- L'atomiseur n'est pas isolé contre les chocs électriques. Pour réduire le risque d'électrocution, n'utilisez jamais l'atomiseur à proximité de fils ou de câbles susceptibles d'être parcourus par un courant électrique. N'effectuez pas de pulvérisation sur ou à proximité d'installations électriques.



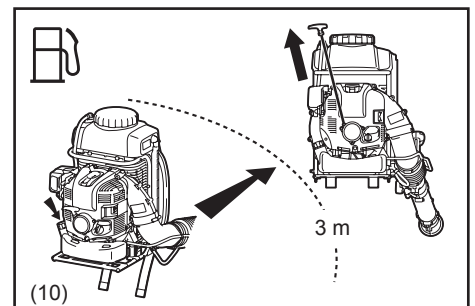
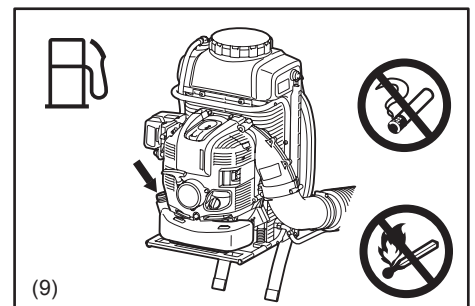


- Coupez le moteur pendant les pauses ou lorsque vous laissez l'atomiseur sans surveillance. Mettez-le en lieu sûr pour éviter de blesser l'entourage, de mettre le feu aux matériaux combustibles, ou d'endommager l'appareil (8).
- Ne posez jamais l'atomiseur chaud sur de l'herbe sèche ou des matériaux combustibles.
- Ne posez pas l'atomiseur sur le sol lorsque vous le faites fonctionner à vitesse élevée, car de petits objets (sable, herbes, poussière, etc.) risquent d'être aspirés dans l'entrée d'air et d'endommager le ventilateur.
- Pendant les pauses, ne laissez pas l'atomiseur au soleil ou à proximité d'une source de chaleur.
- L'outil doit être utilisé avec tous les dispositifs et les pièces de protection fournis.
- Ne faites jamais fonctionner l'appareil avec un silencieux défectueux.
- Ne mettez pas votre main dans l'orifice d'échappement. Le silencieux devient très chaud pendant le fonctionnement, vous risquez de vous brûler.
- Ne touchez pas le carter du moteur, attendez un certain temps. Il peut devenir très chaud pendant le fonctionnement, vous risquez de vous brûler.
- Arrêtez le moteur pendant le transport (8).
- Mettez l'atomiseur dans une position sûre pendant le transport en camion ou en voiture pour éviter les fuites de carburant.
- Lors du transport de l'atomiseur, assurez-vous que le réservoir de carburant et le réservoir de solution chimique/de liquide sont totalement vides.



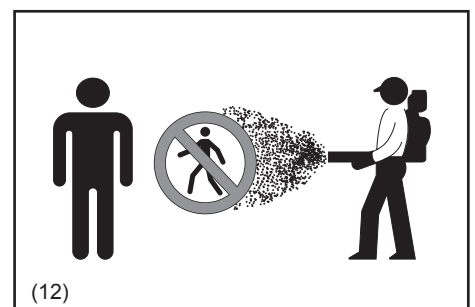
### Plein de carburant

- Coupez le moteur lors du remplissage du réservoir (8). Tenez-vous à distance de toute flamme nue (9). Ne fumez pas.
- Évitez tout contact de la peau avec les produits pétroliers. N'inhaliez pas les vapeurs de carburant. Portez toujours des gants de protection. Changez et nettoyez régulièrement les vêtements de protection.
- Veillez à ne pas déverser de carburant ou d'huile, pour éviter de contaminer le sol (protection de l'environnement). En cas de déversement de carburant, nettoyez immédiatement l'atomiseur. Laissez sécher les chiffons humides avant de les jeter dans un conteneur approprié et couvert, pour éviter tout risque de combustion spontanée.
- Évitez tout contact du carburant avec vos vêtements. Changez-vous immédiatement en cas de déversement de carburant sur vos vêtements (risque d'incendie).
- Vérifiez régulièrement que le bouchon du réservoir de carburant est bien fermé.
- Serrez soigneusement la vis de verrouillage du réservoir de carburant. Éloignez-vous d'au moins 3 m de l'endroit où vous avez fait le plein avant de mettre le moteur en marche (10).
- Ne faites jamais le plein dans des locaux fermés : les vapeurs de carburant s'accumulent au niveau du sol (risque d'explosion).
- Le carburant doit être transporté et stocké uniquement dans des conteneurs approuvés. Veillez à ce que les enfants n'aient pas accès au carburant stocké.
- Ne faites jamais le plein lorsque le moteur est chaud ou en marche.



### Fonctionnement

- Utilisez l'atomiseur uniquement dans des endroits bien éclairés, où la visibilité est bonne. Pendant la saison froide, faites attention aux zones glissantes ou humides, au verglas et à la neige (risque de chute). Conservez toujours un bon appui au sol (11).
- N'utilisez jamais l'atomiseur sur une surface instable ou sur une pente abrupte (11).
- Si vous ne connaissez pas les risques associés au produit chimique que vous utilisez, consultez l'étiquette du produit et/ou la fiche de données de sécurité de la substance concernée, et/ou contactez le fabricant/fournisseur du produit. Vous pouvez aussi vous adresser à votre employeur, aux agences gouvernementales et autres sources d'informations sur les matières dangereuses. D'autres autorités ont ainsi publié une liste des substances reconnues comme cancérigènes, toxiques pour la reproduction, etc. (11).
- Pour réduire le risque de blessure, ne dirigez pas le jet d'air vers les personnes présentes ; la pression élevée de l'air peut causer une blessure aux yeux ou projeter de petits objets à très grande vitesse (12).
- Ne pulvérisez jamais en direction d'humains, d'animaux ou de biens pouvant être blessés ou endommagés par la pulvérisation (12).
- Ne mettez jamais de corps étrangers dans l'entrée d'air ou dans le tube d'éjection de l'atomiseur. Cela endommagerait le ventilateur. De plus, l'éjection à grande vitesse des corps étrangers ou de pièces cassées risque de blesser l'utilisateur ou les personnes présentes.
- Tenez compte de la direction du vent, de façon à ne pas travailler contre le vent.
- Pour éviter le risque de chute et de perte le contrôle de l'appareil, ne reculez jamais pendant son utilisation.
- Coupez toujours le moteur avant tout nettoyage, entretien ou remplacement de pièces de l'appareil.
- Faites des pauses afin d'éviter toute perte de contrôle due à la fatigue. Nous vous recommandons une pause de 10 à 20 minutes toutes les heures.

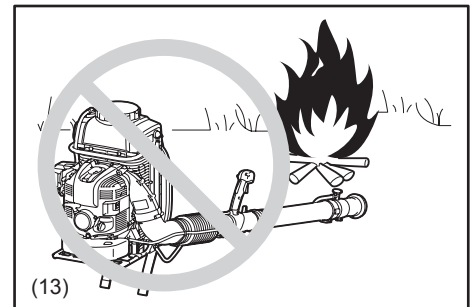


## Une fois le travail terminé

- Lavez-vous toujours soigneusement avec de l'eau et du savon après avoir manipulé ou pulvérisé des produits chimiques. Douchez-vous immédiatement, et lavez tous les vêtements de protection séparément.  
Suivez toute recommandation supplémentaire du fabricant de produits chimiques.  
Nettoyez toujours les poussières et la salissure présentes sur l'atomiseur.
- Lavez, rincez et nettoyez le réservoir de solution et le circuit de pulvérisation après utilisation. Ceci permet d'éviter la cristallisation de la solution, et par la suite le colmatage et la détérioration chimique de l'appareil. De plus, les résidus chimiques risquent d'avoir des effets indésirables lors de la pulvérisation ultérieure d'un autre type de produit chimique (par ex. les résidus d'herbicide peuvent abîmer ou tuer les végétaux pulvérisés avec un pesticide).  
Ne stockez pas l'atomiseur sans vider le réservoir de solution.
- Éloignez les enfants, les personnes non concernées et les animaux domestiques des zones qui viennent d'être pulvérisées.  
Après utilisation de certains produits chimiques, en particulier de pesticides agricoles, une notice indiquant qu'un délai de sécurité après traitement est en vigueur doit être affichée dans la zone traitée.  
Référez-vous à l'étiquette du produit chimique et à toutes les réglementations gouvernementales en vigueur.

## Instructions d'entretien

- Avant de remiser l'outil, effectuez un nettoyage et un entretien.
- Respectez l'environnement. Limitez autant que possible le bruit et la pollution lorsque vous utilisez l'atomiseur. Vérifiez en particulier que le carburateur est réglé correctement.
- Nettoyez régulièrement l'atomiseur et vérifiez que toutes les vis et tous les écrous sont bien serrés.
- L'atomiseur doit toujours être entretenu et stocké à l'écart des flammes nues, des étincelles, etc. (13).
- Remisez toujours l'atomiseur dans un local bien ventilé et fermant à clé, et videz le réservoir de carburant et le réservoir de solution.



**Respectez toutes les consignes de prévention d'accidents des associations professionnelles et des compagnies d'assurances. Ne modifiez pas l'atomiseur, sous peine de compromettre votre sécurité.**

N'effectuez aucune opération d'entretien ou de réparation qui ne soit pas prévue par ce manuel. Toutes les autres opérations doivent être effectuées par des techniciens agréés.

Utilisez uniquement des pièces de rechange et des accessoires d'origine, fournis par DOLMAR.

L'utilisation d'accessoires et d'outils non agréés augmente les risques d'accident et de blessure. DOLMAR décline toute responsabilité en cas d'accident ou de dommage provoqué par l'utilisation de pièces ou d'accessoires non agréés.

## Premiers secours

Veillez à avoir toujours à portée de la main une trousse de premiers secours complète. Remplacez immédiatement tout article utilisé.

En cas d'accident, appelez les services de secours et fournissez-leur les informations suivantes :

- lieu de l'accident
- circonstances de l'accident
- nombre de personnes blessées
- gravité des blessures
- votre nom



## Emballage

L'atomiseur DOLMAR est livré dans une boîte en carton protectrice afin d'éviter tout dommage pendant le transport. Le carton est une matière première de base, et est par conséquent réutilisable ou recyclable (recyclage des déchets de papier).

## CONSERVEZ CES INSTRUCTIONS.

### ⚠ AVERTISSEMENT :

- NE vous laissez PAS tromper (au fil d'une utilisation répétée) par un sentiment d'aisance et de familiarité avec le produit, en négligeant le respect rigoureux des consignes de sécurité qui accompagnent le produit en question. La MAUVAISE UTILISATION de l'outil ou le non-respect des consignes de sécurité indiquées dans ce manuel d'instructions peuvent entraîner une blessure grave.

Pour l'Europe uniquement

## Déclaration de conformité CE

### Makita déclare que la (les) machine(s) suivante(s) :

Désignation de la machine : Atomiseur

N° de modèle/type : SP-7650.4 R

Spécifications : se référer au tableau « CARACTÉRISTIQUES TECHNIQUES »

### est (sont) conforme(s) aux directives européennes suivantes :

2006/42/CE, 2000/14/CE

et est (sont) fabriquée(s) conformément aux normes ou aux documents normalisés suivants :

EN ISO 28139, ISO 10988

La documentation technique conforme à la norme 2006/42/CE est disponible auprès de :

Makita, Jan-Baptist Vinkstraat 2, 3070, Belgique

La procédure d'évaluation de la conformité requise par la Directive 2000/14/CE a été réalisée en conformité avec l'annexe V.

Niveau de puissance acoustique mesuré : 110,1 dB

Niveau de puissance acoustique garanti : 111 dB

8.7.2014



Yasushi Fukaya

Directeur

Makita, Jan-Baptist Vinkstraat 2, 3070, Belgique

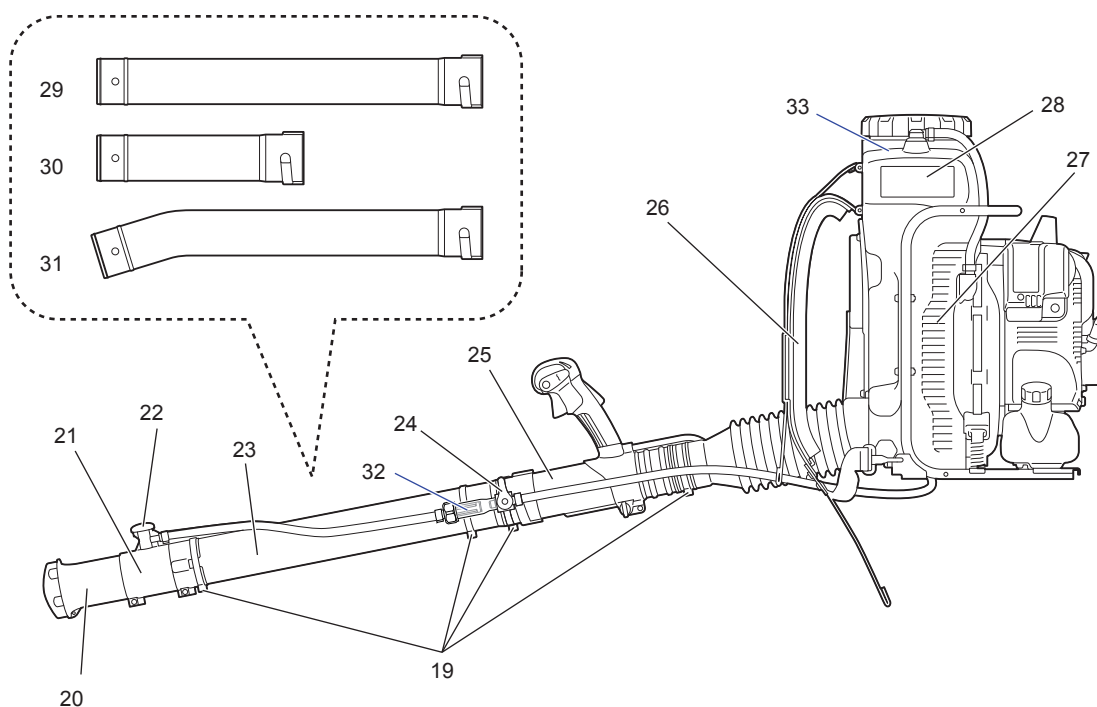
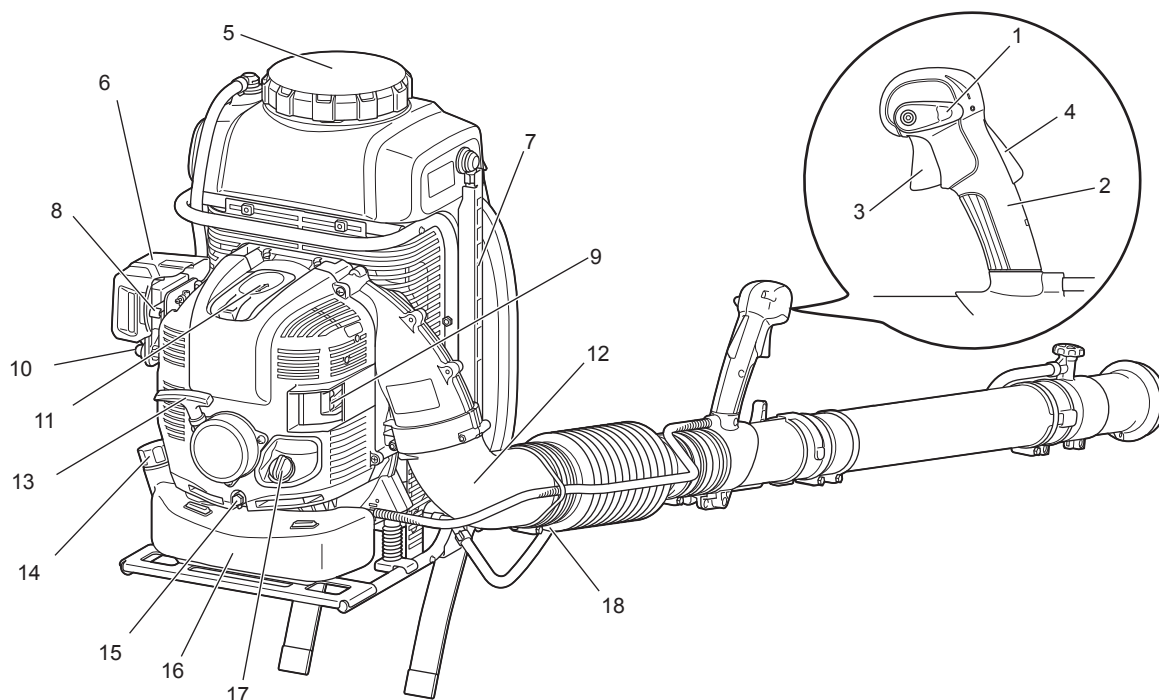
## CARACTÉRISTIQUES TECHNIQUES

Modèle		SP-7650.4 R	
Poids (réservoirs de carburant et de solution chimique pleins, 220 ml d'huile moteur)	(kg)	30,4	
Poids (poids à vide)	(kg)	14,1	
Dimensions (sans le tube de l'atomiseur) (L x l x H)	(mm)	420 x 440 x 595	
Type de moteur		Refroidi à l'air, 4-temps, monocylindre	
Puissance moteur max.	(kW)	2,7	
Vitesse max. du moteur	(min <sup>-1</sup> )	7 400	
Vitesse au ralenti	(min <sup>-1</sup> )	2 800	
Cylindrée du moteur	(cm <sup>3</sup> )	75,6	
Carburant		Essence automobile	
Capacité du réservoir de carburant	(l)	1,8	
Huile moteur		huile SAE 10W-30 de classe SF ou supérieure, selon la norme API (huile pour moteur 4-temps)	
Capacité du réservoir d'huile moteur	(l)	0,22	
Carburateur (carburateur à membrane)		WALBRO WYK	
Bougie		NGK CMR6A	
Distance entre électrodes	(mm)	0,7 – 0,8	
Volume du réservoir de solution	(l)	15,0	
Portée de pulvérisation (horizontale/verticale)	(m)	16 / 13	
Vitesse de l'air max.	(m/s)	85	
Débit d'air	(m <sup>3</sup> /min)	14,1	
Vibrations selon ISO 22867	a <sub>fv eq</sub>	(m/s <sup>2</sup> )	2,7
	Incertitude K	(m/s <sup>2</sup> )	0,8
Niveau de pression acoustique moyen selon ISO 22868	L <sub>PA eq</sub>	dB (A)	95,4
	Incertitude K	dB (A)	2,9
Niveau de puissance acoustique moyen selon ISO 22868	L <sub>WA eq</sub>	dB (A)	110,1
	Incertitude K	dB (A)	1,3

Note :

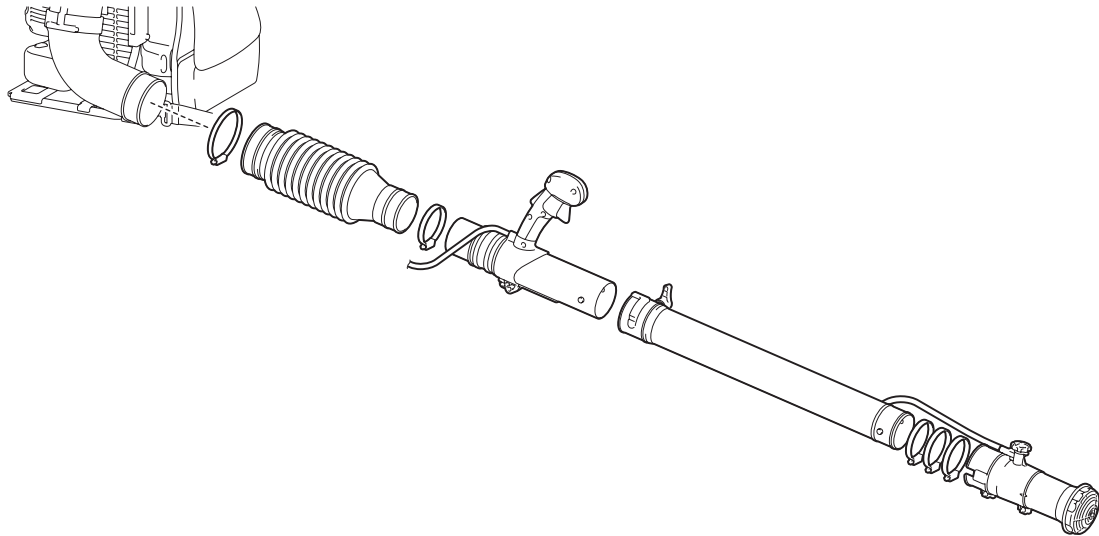
1. Utilisez l'huile et la bougie spécifiées dans le tableau.
2. Ces spécifications sont modifiables sans préavis.
3. Le poids brut de l'atomiseur et de la solution est d'environ 25 kg lorsque le niveau de liquide atteint le repère 10 l.
4. Les niveaux de vibration et de bruit sont mesurés avec le tube droit (long).

# NOMENCLATURE



1. Levier de commande d'arrêt	12. Coude	23. Tube droit
2. Poignée de commande	13. Poignée du démarreur	24. Levier de commande de la pulvérisation
3. Gâchette de commande d'accélération	14. Bouchon du réservoir de carburant	25. Tube rotatif
4. Bouton de sécurité	15. Boulon de vidange d'huile	26. Courroie d'épaule
5. Bouchon du réservoir de solution	16. Réservoir de carburant	27. Crépine de l'entrée d'air
6. Couvercle du filtre à air	17. Bouchon du réservoir d'huile	28. Réservoir de solution
7. Tube de vérification du niveau de la solution	18. Collier de serrage (diamètre 100 mm)	29. Tube droit (long) (accessoire en option)
8. Levier du dispositif de démarrage à froid	19. Collier de serrage (diamètre 76 mm)	30. Tube droit (court) (accessoire en option)
9. Silencieux	20. Tube d'éjection	31. Tube courbé (accessoire en option)
10. Pompe d'amorçage	21. Tube de pulvérisation (porte-buse)	32. Crépine du raccord fileté (tuyau)
11. Cache de bougie	22. Molette de réglage du débit de liquide	33. Crépine de l'orifice de remplissage du réservoir de solution (intérieur du réservoir)

# INSTRUCTIONS DE MONTAGE



## Montages des tubes de l'atomiseur

### ⚠ ATTENTION :

- Avant toute opération sur l'atomiseur, coupez toujours le moteur et débranchez les connecteurs de bougie.
- Portez toujours des gants de protection !
- Ne mettez l'atomiseur en marche que lorsqu'il est complètement monté.
- Après le montage, assurez-vous que tous les colliers de serrage sont bien serrés.

### NOTE :

- Dirigez les têtes de boulon des colliers de serrage vers l'extérieur lorsque vous les serrez, comme illustré.

1. Assemblez le tube rotatif (1) et le tube flexible (2).  
Fixez-les avec le collier de serrage de 76 mm de diamètre (3).

2. Assemblez le tube flexible et le coude (4) de l'atomiseur.  
Fixez-les avec le collier de serrage de 100 mm de diamètre (5).

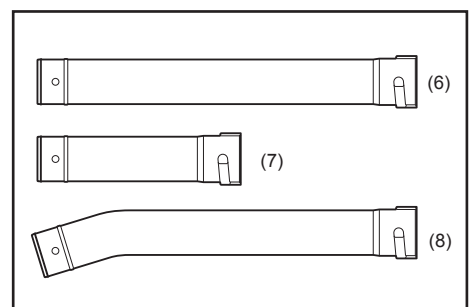
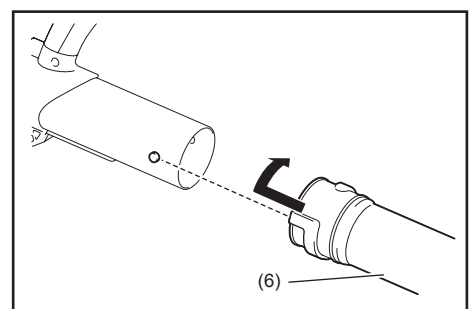
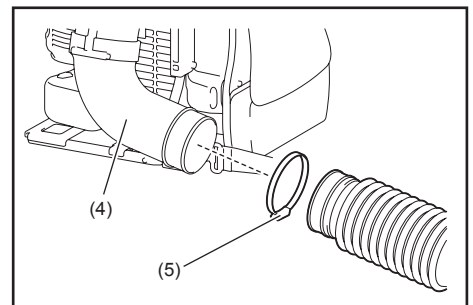
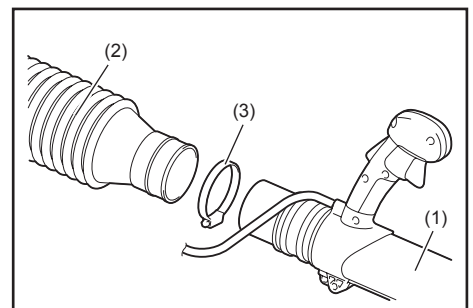
3. Assemblez le tube droit (6) et le tube rotatif (1).  
Alignez la rainure du tube droit avec la partie saillante du tube rotatif, faites tourner le tube droit jusqu'au clic, puis fixez les tubes avec le collier de serrage de 76 mm de diamètre (3).

### NOTE :

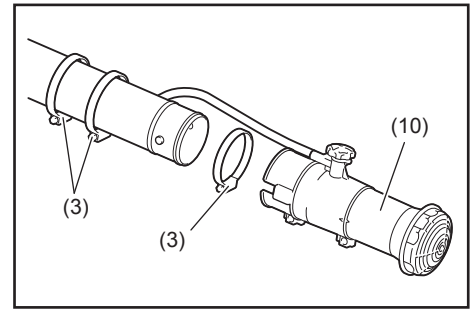
- Le tube droit mentionné ci-dessus fait référence aux trois tubes ci-dessous, qui sont interchangeable et que vous pouvez utiliser en fonction de vos besoins.
  - Tube droit (long) (6)
  - Tube droit (court) (7)
  - Tube courbé (8)

Un seul tube ou une combinaison des tubes ci-dessus sont fournis en standard avec l'atomiseur, en fonction du pays.

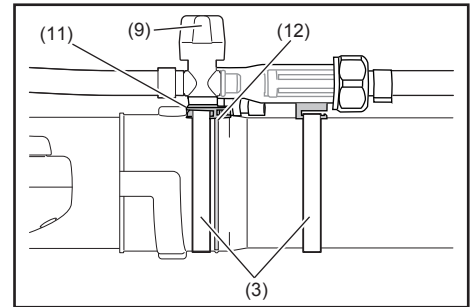
Les autres types de tubes sont des accessoires en option, que vous pouvez vous procurer.



4. Placez sans les serrer deux des colliers de serrage de 76 mm de diamètre (3) sur le tube (ils serviront par la suite à maintenir le levier de commande de la pulvérisation et le raccord fileté).  
 Assemblez le tube de pulvérisation (10) et le tube droit.  
 Fixez-les avec un autre collier de serrage de 76 mm de diamètre (3).



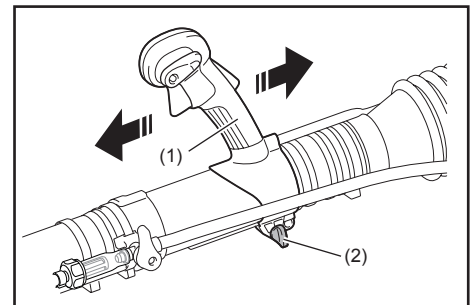
5. Installez le levier de commande de la pulvérisation (9) sur le tube.  
 Assurez-vous que le côté ouvert de la base du levier (11) est dirigé vers le tube rotatif.  
 Alignez la base du levier avec l'encoche de la partie saillante du tube droit (12).  
 Fixez-les ensuite avec les colliers de serrage de 76 mm de diamètre (3).



6. Vérifiez que tous les dispositifs de fixation sont serrés.

### Réglage et fixation de la poignée de commande

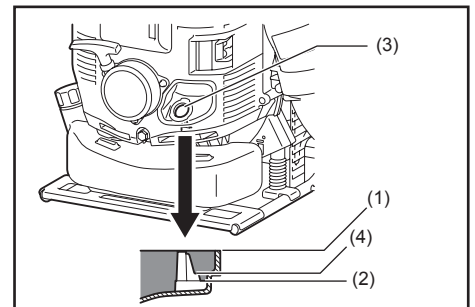
- Placez l'appareil sur votre dos et ajustez les courroies d'épaule (voir « Réglage des courroies d'épaule »).
- Faites glisser la poignée de commande (1) le long du tube sur la position la plus confortable.
- Bloquez la poignée de commande en tournant la molette (2).



## AVANT DE DÉMARRER LE MOTEUR

### 1. Vérification du niveau d'huile moteur et ajout d'huile

- Suivez la procédure ci-dessous lorsque l'huile moteur est froide, c.-à-d. lorsque l'atomiseur n'a pas été utilisé.
  - Vérification : Placez l'atomiseur par terre sur une surface plane et retirez le bouchon du réservoir d'huile. Vérifiez que le niveau d'huile se trouve entre les repères supérieur (1) et inférieur (2) de l'indicateur de niveau d'huile (3). Si le niveau est inférieur à 100 ml (4), ajoutez de l'huile neuve.
  - Ajout d'huile : Placez l'atomiseur par terre sur une surface plane et retirez le bouchon du réservoir d'huile. Remplissez avec de l'huile jusqu'au repère supérieur de l'indicateur de niveau d'huile.
- En moyenne, le niveau d'huile moteur doit être ajusté toutes les 20 heures d'utilisation. Cet intervalle correspond à environ 10–15 pleins de carburant.
- Changez l'huile lorsqu'elle est sale ou lorsque sa couleur change de manière significative. (Référez-vous à la P. 48 pour la procédure et la fréquence de vidange d'huile.)  
 Huile recommandée : huile DOLMAR ou huile SAE10W-30 de classe SF ou supérieure, selon la norme API (huile pour moteur 4-temps)  
 Capacité du réservoir d'huile : Environ 0,22 l (220 ml)



#### ⚠ ATTENTION :

- Si l'atomiseur n'est pas rangé verticalement, l'huile risque de passer de l'indicateur de niveau dans le moteur, ce qui donnerait une fausse indication de niveau lors de la vérification. Ceci peut entraîner un remplissage excessif lors de l'ajout d'huile. Rangez toujours l'atomiseur verticalement.
- En cas de remplissage excessif, l'huile peut s'encrasser, et la combustion du surplus d'huile risque de brûler en dégageant une fumée blanche.

#### Point de vérification n° 1 : bouchon du réservoir d'huile lors de l'ajout d'huile

- Essuyez les impuretés et les salissures autour de l'orifice avant de retirer le bouchon du réservoir d'huile.
- Retirez le bouchon du réservoir d'huile et posez-le sur une surface propre afin qu'il ne soit pas sali par du sable, des impuretés ou autres corps étrangers. Ceux-ci risquent d'adhérer au bouchon et d'altérer l'huile moteur si les précautions nécessaires ne sont pas prises. De l'huile contenant du sable, des impuretés ou des corps étrangers peut entraîner une usure excessive du moteur en raison d'une mauvaise lubrification, et provoquer une panne.

### **Point de vérification n° 2 : déversement d'huile lors de l'ajout d'huile**

- Un déversement d'huile sur l'extérieur de l'atomiseur peut entraîner l'encrassement ou l'altération de l'huile moteur. Il est par conséquent nécessaire d'essuyer tout déversement d'huile avant de démarrer le moteur.

## **2. Plein de carburant**

### **⚠ AVERTISSEMENT :**

- Lors du plein, assurez-vous que les instructions suivantes sont respectées pour éviter toute inflammation et tout incendie :
  - Le plein de carburant doit se faire en absence de source d'incendie. N'approchez jamais de source d'incendie (cigarette allumée, etc.) du lieu où vous faites le plein.
  - Arrêtez le moteur et laissez-le refroidir avant de faire le plein de carburant.
  - Faites le plein sur une surface plane. Ne faites pas le plein sur une surface instable ou dans un endroit mal ventilé.
  - Faites le plein dans un endroit bien éclairé, où la visibilité est bonne.
  - Faites le plein dans un endroit ouvert et dégagé.
  - Ouvrez doucement le bouchon du réservoir de carburant. Le carburant risque de jaillir sous l'effet de la pression interne.
  - Faites attention à ne pas déverser de carburant. Nettoyez tout déversement de carburant.
  - Ne remplissez pas le réservoir de carburant plus que nécessaire.
  - Faites le plein dans un endroit bien ventilé.
- Manipulez le carburant avec soin.
  - Le carburant adhérent à la peau ou pénétrant dans les yeux peut causer des allergies ou une irritation. En cas de trouble physique, consultez immédiatement un médecin spécialiste.

### **Durée de stockage du carburant**

Le carburant doit être utilisé dans un délai de 4 semaines, même s'il est conservé dans un conteneur spécial dans un emplacement bien aéré et à l'ombre.

Si vous n'utilisez pas de conteneur spécial ou si ce conteneur n'est pas muni d'un couvercle, le carburant peut se détériorer en une journée.

### **Stockage de l'appareil et du conteneur de carburant**

- Conservez l'appareil et le conteneur dans un endroit frais, à l'abri du soleil direct.
- Ne laissez jamais le carburant dans l'habitacle ou dans le coffre d'un véhicule.

### **Carburant**

Le moteur est un moteur à 4-temps. Utilisez de l'essence ordinaire ou du supercarburant.

### **Points essentiels pour le carburant**

- N'utilisez jamais d'essence contenant de l'huile moteur, sous peine d'accumulation excessive de carbone ou de problèmes mécaniques.
- L'utilisation de carburant dégradé entraîne un démarrage irrégulier.

Arrêtez le moteur et laissez-le refroidir avant de faire le plein de carburant.

### **Remplissage du réservoir de carburant**

- Desserrez légèrement le bouchon du réservoir pour le mettre à la pression atmosphérique.
- Enlevez le bouchon du réservoir et faites le plein. Évacuez l'air en inclinant le réservoir de manière à orienter l'orifice de remplissage vers le haut. (Ne versez jamais de carburant dans l'orifice de remplissage d'huile.)
- Une fois le plein effectué, remettez le bouchon du réservoir en place et serrez-le fermement.
- En cas de défaut ou de détérioration du bouchon du réservoir, remplacez-le.
- Le bouchon du réservoir se détériore au fil du temps. Remplacez-le tous les deux à trois ans.

# MISE EN MARCHÉ ET ARRÊT DU MOTEUR

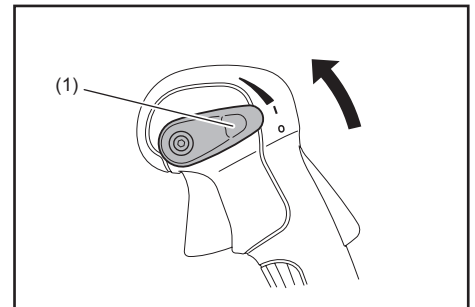
## 1. Mise en marche

### ⚠ AVERTISSEMENT :

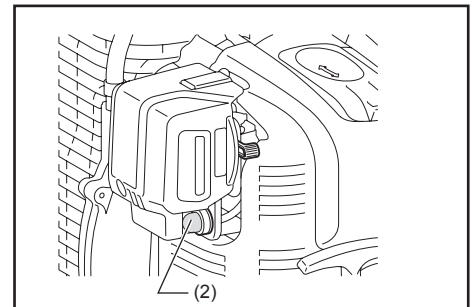
- Ne démarrez jamais le moteur à l'endroit où vous avez effectué le plein. Éloignez-vous d'au moins 3 m avant de mettre le moteur en marche.
  - Le non-respect de cette consigne peut entraîner une ignition ou un incendie.
- Les gaz d'échappement du moteur sont toxiques. Ne faites pas tourner le moteur dans un endroit mal ventilé, par exemple dans un tunnel, un bâtiment, etc.
  - Le fonctionnement du moteur dans un endroit mal ventilé peut entraîner un empoisonnement aux gaz d'échappement.
- En cas d'odeurs, de vibrations, de bruits anormaux, arrêtez immédiatement le moteur et effectuez une inspection.
  - Si vous faites fonctionner le moteur sans résoudre ces anomalies, un incident risque de se produire.
- Vérifiez que le moteur s'arrête lorsque vous mettez le levier de commande d'arrêt dans la position « O ».
- Assurez-vous que le levier de commande de la pulvérisation est en position fermée avant de démarrer l'outil.

### 1) Lorsque le moteur est froid, ou après avoir fait le plein (démarrage à froid) :

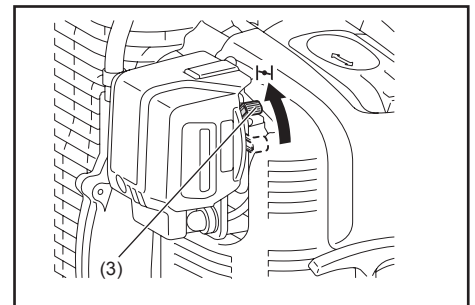
- (1) Placez l'appareil sur une surface plane.
- (2) Mettez le levier de commande d'arrêt (1) en position « I ».



- (3) Appuyez de façon répétée sur la pompe d'amorçage (2) jusqu'à ce que le carburant pénètre dans celle-ci.
  - Il faut en général appuyer 7 à 10 fois pour que le carburant arrive dans le carburateur.
  - Si vous effectuez un trop grand nombre de pressions sur la pompe d'amorçage, le carburant en excès est renvoyé vers le réservoir.

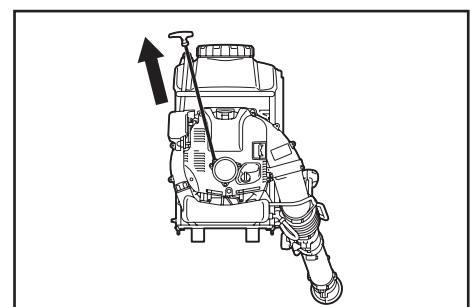


- (4) Relevez le levier du dispositif de démarrage à froid (3).



- (5) Maintenez le couvercle du filtre à air avec votre main gauche pour empêcher l'appareil de bouger, installez-vous dans une position stable.

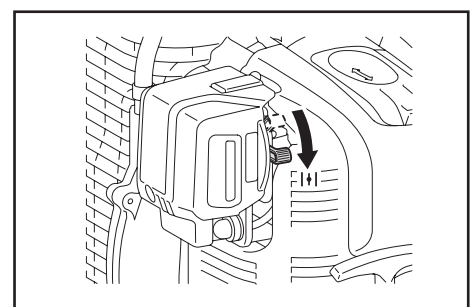
- (6) Tirez doucement sur la poignée du démarreur jusqu'à ce que vous sentiez la compression. Tirez-la ensuite fortement. Deux à quatre essais peuvent être nécessaires pour démarrer le moteur.
  - Ne tirez jamais le cordon jusqu'au bout.
  - Laissez la poignée du démarreur revenir doucement dans son logement. Sinon, la poignée risque de vous heurter, et le cordon risque de ne pas se réenrouler correctement.



- (7) Lorsque le moteur démarre, abaissez progressivement le levier du dispositif de démarrage à froid tout en surveillant le fonctionnement du moteur. Veillez à ce que le levier du dispositif de démarrage soit complètement abaissé à la fin de l'opération.

- Par temps froid ou lorsque le moteur est refroidi, abaissez toujours doucement le levier du dispositif de démarrage à froid. Sinon, le moteur risque de s'arrêter.

- (8) Saisissez la poignée de commande (cette action libère le bouton de sécurité), puis appuyez sur la gâchette de commande d'accélération pour préchauffer le moteur. Poursuivez le préchauffage pendant 2 à 3 minutes.
- (9) Le préchauffage du moteur est terminé lorsque la vitesse du moteur se stabilise et que vous pouvez faire accélérer le moteur sans à-coups (vitesse lente à élevée) en appuyant sur la gâchette.





**NOTE :**

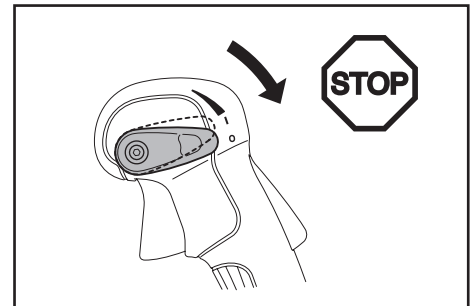
- Vous risquez d'endommager le moteur si vous poussez le levier du dispositif de démarrage à froid au-delà de la position « CLOSE » (fermé).
- Si le moteur s'arrête avec un bruit d'explosion, ou si le moteur démarre puis s'arrête avant que vous ayez fini d'actionner le levier du dispositif de démarrage à froid, remettez ce levier en position « OPEN » (ouvert) et tirez plusieurs fois sur la poignée du démarreur pour faire redémarrer le moteur.
- Si vous tirez sur la poignée du démarreur plusieurs fois avec le levier du dispositif de démarrage à froid en position « CLOSE », vous risquez de noyer le moteur par excès de carburant.
- En cas d'excès de carburant, enlevez la bougie et tirez plusieurs fois rapidement sur la poignée pour l'éliminer. Séchez l'électrode de la bougie.
- Lorsque la vanne d'étranglement ne revient pas à sa position de contact avec la vis de réglage du ralenti même lorsque la gâchette de commande d'accélération est en position vitesse lente, modifiez la position d'accrochage du câble de commande pour garantir le bon retour de la vanne.

**2) Lorsque le moteur est chaud (démarrage à chaud)**

- (1) Placez l'appareil sur une surface plane.
- (2) Appuyez plusieurs fois sur la pompe d'amorçage.
- (3) Vérifiez que le levier du dispositif de démarrage à froid est abaissé.
- (4) Maintenez le couvercle du filtre à air avec votre main gauche pour empêcher l'appareil de bouger, installez-vous dans une position stable.
- (5) Tirez doucement sur la poignée du démarreur jusqu'à ce que vous sentiez la compression. Tirez-la ensuite fortement.
- (6) Si le moteur démarre difficilement, ouvrez la vanne d'étranglement d'environ 1/3.

**2. Arrêt**

- 1) Relâchez la gâchette de commande d'accélération pour réduire la vitesse du moteur, et placez le levier de commande d'arrêt dans la position « O ».



## RÉGLAGE DU RALENTI

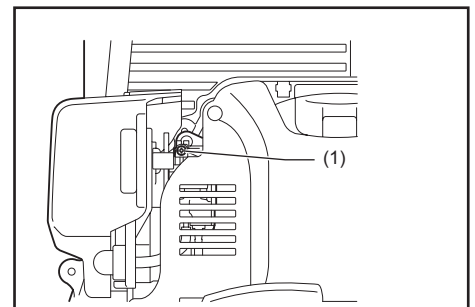
**⚠ DANGER :**

- Le carburateur est réglé en usine avant expédition. N'effectuez aucun autre réglage que celui du ralenti. S'il devient nécessaire de régler le carburateur, adressez-vous à un centre technique agréé.

**Vérification de la vitesse du ralenti**

Réglez la vitesse du ralenti sur 2 800 min<sup>-1</sup>.

- S'il est nécessaire de changer la vitesse de rotation, ajustez la position de la vis de réglage (1) avec un tournevis cruciforme.
- Pour augmenter la vitesse du moteur, tournez la vis de réglage vers la droite. Pour réduire la vitesse du moteur, tournez la vis de réglage vers la gauche.



## MODE OPÉRATOIRE

### Installation de la crépine

L'atomiseur est livré avec les crépines de l'orifice de remplissage et du tuyau de sortie du réservoir de solution.

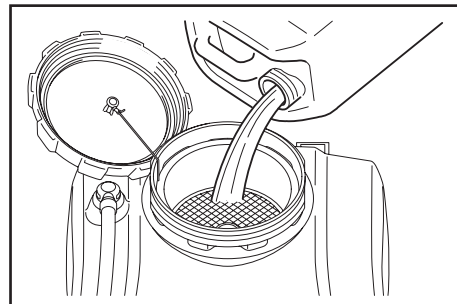
Assurez-vous que les crépines sont en place.

Poussez sur la crépine pour l'installer.

Tirez sur la crépine pour l'enlever.

#### ⚠ AVERTISSEMENT :

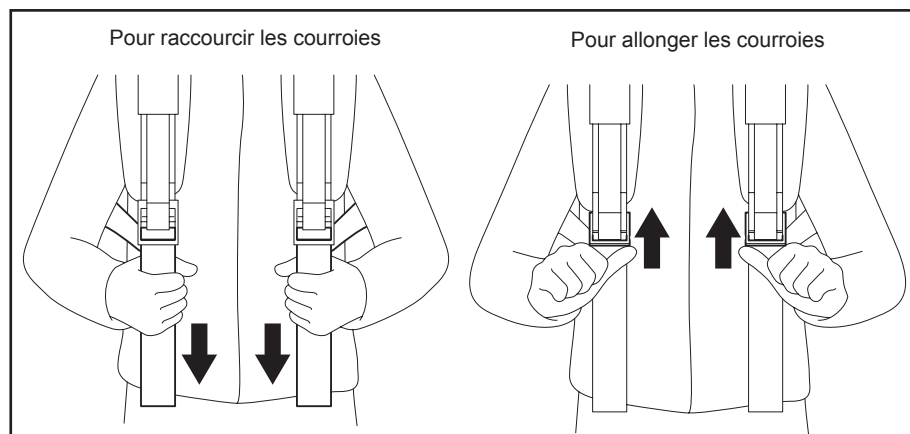
- Serrez fermement le bouchon du réservoir. Le non-respect de cette consigne peut entraîner des fuites de solution, une diminution de la pression, etc.



### Réglage des courroies d'épaule

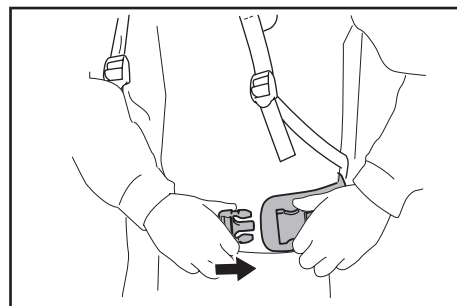
Réglez les courroies d'épaule à une longueur adéquate vous permettant de porter l'atomiseur confortablement pour travailler.

Effectuez le réglage comme indiqué sur la figure.



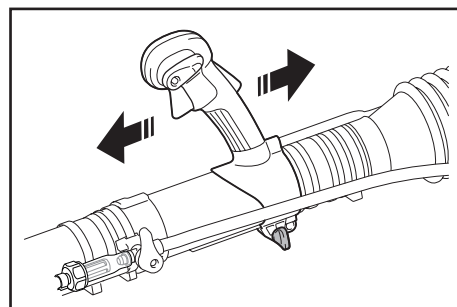
### Ceinture de hanche (accessoire en option)

La ceinture de hanche (accessoire en option) permet à l'utilisateur de porter l'outil en conservant une meilleure stabilité.



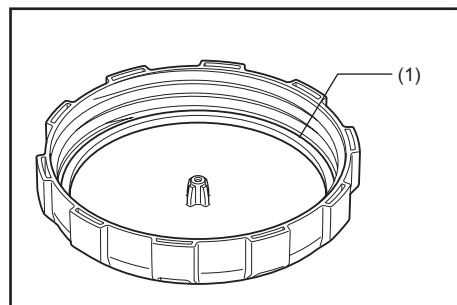
### Réglage de la poignée de commande

Déplacez la poignée de commande le long du tube rotatif sur la position la plus confortable.

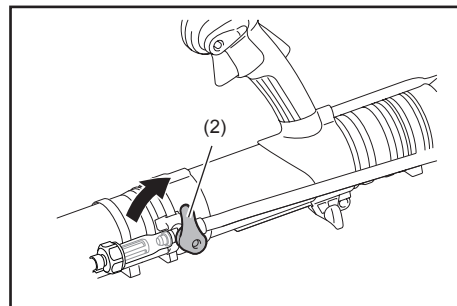


### Remplissage du réservoir de solution

1. Veillez à ce que le joint (1) reste en bon état, propre et lubrifié avec de la graisse.
2. Placez l'atomiseur sur une surface plane.



3. Avant de remplir le réservoir de solution, assurez-vous que le levier de commande de la pulvérisation est en position fermée (2).



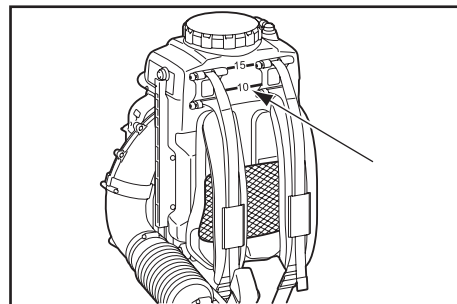
4. La capacité du réservoir de solution est de 15 litres.

Le poids total de l'outil est de presque 30 kg une fois le réservoir rempli.

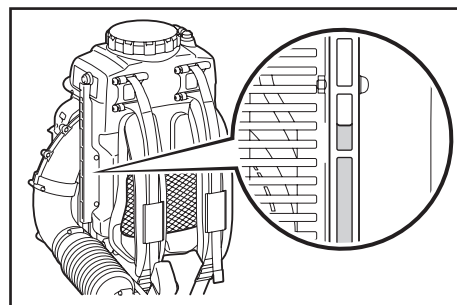
Adaptez le volume de solution que vous ajoutez en fonction de la force de l'opérateur, afin d'éviter de surcharger l'atomiseur.

Lorsque le niveau de liquide atteint le repère 10 l sur le côté du réservoir (ce qui correspond à l'ajout de 10 l de solution), le poids total de l'appareil est de presque 25 kg.

Il est recommandé de ne pas dépasser un poids total de 30 kg pour les hommes, et de 25 kg pour les femmes.

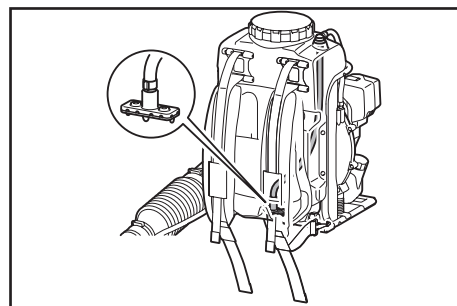


Le tube de vérification du niveau de la solution (situé sur le côté de l'atomiseur) donne une valeur indicative du niveau de solution dans le réservoir.



### Dispositif de mélange de la solution

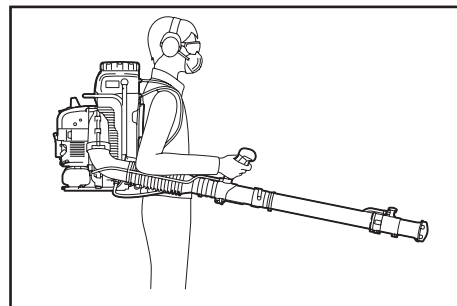
Le dispositif de mélange situé dans le réservoir de solution permet de mélanger la solution avec les bulles d'air qui s'en échappent pendant la pulvérisation.



## Fonctionnement de l'atomiseur

Pour augmenter la vitesse du moteur, saisissez la poignée de commande (cette action libère le bouton de sécurité), puis appuyez sur la gâchette de commande d'accélération.

La pression exercée sur la gâchette de commande d'accélération contrôle la vitesse du moteur.

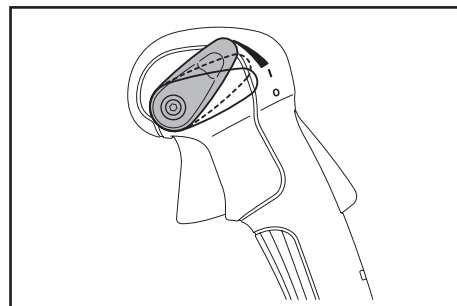


La position du levier de commande d'arrêt peut limiter la course de la gâchette de commande d'accélération.

Le levier de commande d'arrêt peut prendre 4 positions : « O » (arrêt du moteur), « I » et deux positions limitant la course de la gâchette de commande d'accélération. La position « I » ne limite pas la vitesse du moteur (vous pouvez appuyer à fond sur la gâchette de commande d'accélération).

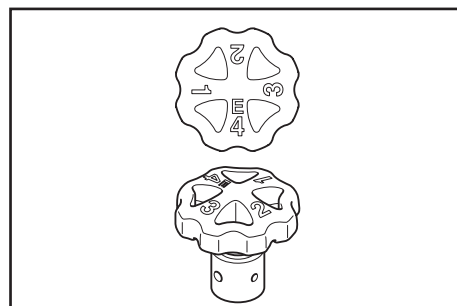
La course de la gâchette de commande d'accélération est limitée dès que vous placez le levier de commande d'arrêt sur le premier cran après la position « I ». La course de la gâchette de commande d'accélération est encore plus limitée lorsque vous placez le levier de commande d'arrêt sur le deuxième cran après la position « I ».

Ajustez la vitesse du moteur correctement en fonction du lieu et des conditions de travail.



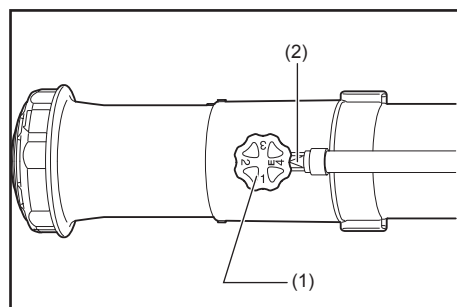
## Molette de réglage du débit de liquide

Les molettes de réglage du débit de liquide permettent d'obtenir une large plage de débits de pulvérisation.



### Réglage du débit de pulvérisation

Tournez la molette de réglage du débit de liquide (1) située sur le tube de pulvérisation pour obtenir le débit de pulvérisation désiré, en alignant le chiffre de la molette avec le repère triangulaire (2).



### Débit de pulvérisation

Effectuez la pulvérisation en inclinant le tube droit vers le sol, et en ne le relevant pas au-delà de l'horizontale.

Position de la molette	Débit de pulvérisation (l/min) (valeur moyenne)
1	0,36
2	1,0
3	1,6
4	2,5

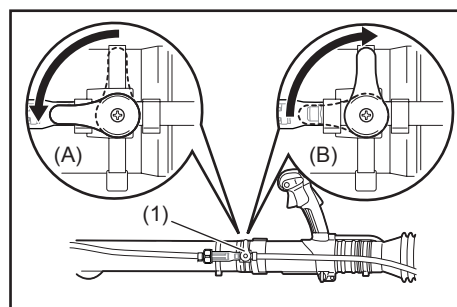
### NOTE :

- Les valeurs du tableau ci-dessus sont données à titre indicatif, et peuvent être modifiées en fonction de la densité de la solution chimique utilisée.

## Levier de commande de la pulvérisation

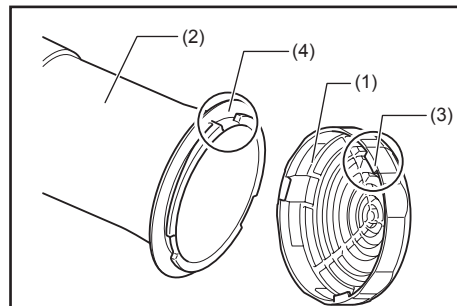
Pour activer l'alimentation en solution (A), placez le levier de commande de la pulvérisation (1) à l'horizontale (parallèle au tube).

Pour arrêter l'alimentation en solution (B), placez le levier de commande de la pulvérisation à la verticale (perpendiculaire au tube).

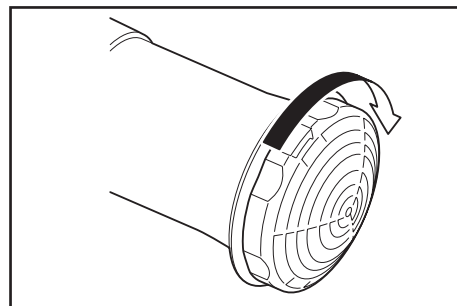


## Installation et retrait de l'embout de dispersion

Pour installer l'embout de dispersion (1), placez-le sur le tube d'éjection (2) en alignant sa partie saillante (3) avec l'encoche (4) du tube.



Bloquez l'embout de dispersion en le tournant à fond dans le sens des aiguilles d'une montre.



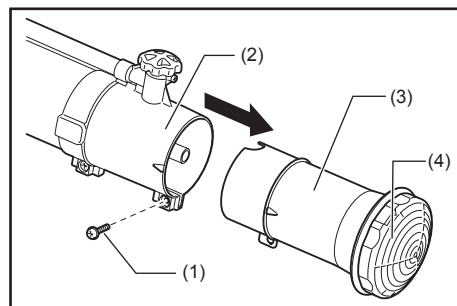
Pour retirer l'embout de dispersion, inversez les étapes de la procédure d'installation.

## Remplacement de la buse de pulvérisation par une buse de pulvérisation à faible débit (accessoire en option)

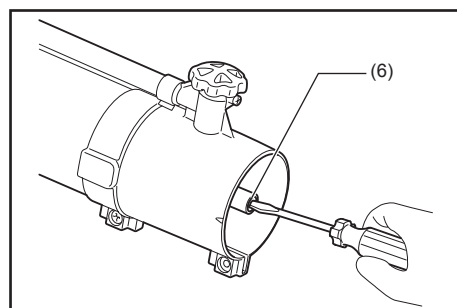
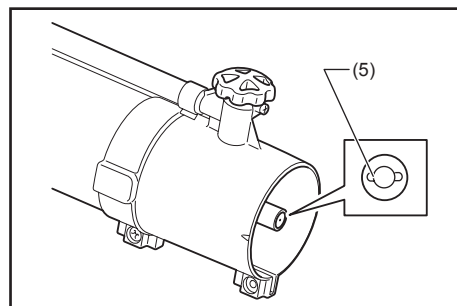
Si vous devez pulvériser une faible quantité de solution, remplacez la buse par une buse présentant un orifice de sortie plus petit.

Pour remplacer la buse, suivez la procédure ci-dessous.

1. Enlevez la vis (1) du tube de pulvérisation (2), puis enlevez le tube d'éjection (3) et l'embout de dispersion (4).



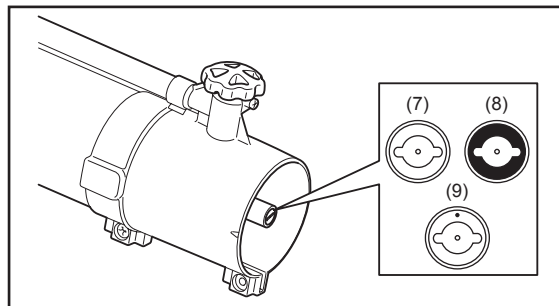
2. Insérez l'extrémité d'un tournevis plat dans la fente (5) de la buse (6) et retirez-la en le tournant à fond dans le sens contraire des aiguilles d'une montre.



3. Installez la buse fournie présentant un orifice de sortie plus petit.

**NOTE :**

- Sélectionnez la buse appropriée en fonction du type (viscosité) de produit chimique que vous utilisez.



Type de buse	Viscosité du produit chimique	Exemple de produit chimique	Débit de pulvérisation (l/min)*1
Buse en aluminium (argentée) (7) *2	Élevée	MALATHION (émulsion huileuse)	0,14
Buse en laiton (dorée) (8) *2	Faible	Aqua K-Othrine (émulsion aqueuse)	0,075
Buse en laiton avec poinçon (dorée) (9) *2	Faible	Cipermetrinato (émulsion aqueuse)	0,060

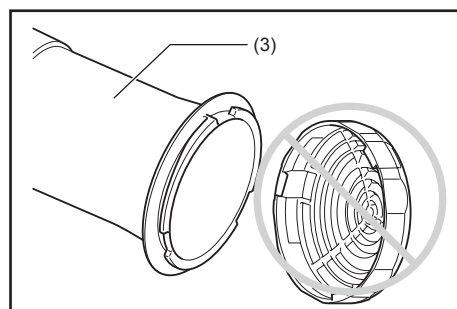
**Note 1 :** Les débits de pulvérisation ci-dessus correspondent à des solutions aqueuses, et sont donnés à titre indicatif. Ils varient en fonction du produit chimique utilisé.

**Note 2 :** Le(s) type(s) de buse fourni(s) avec l'atomiseur varie(nt) d'un pays à l'autre.

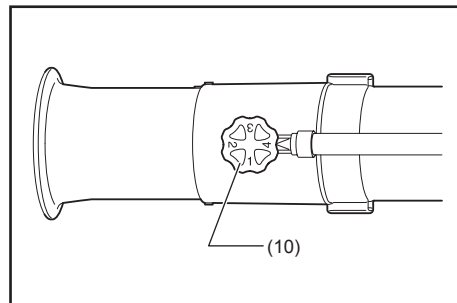
4. Installez le tube d'éjection (3) et fixez-le avec la vis (1).

**NOTE :**

- Lorsque vous utilisez l'une des buses de pulvérisation à faible débit ci-dessus, n'installez pas l'embout de dispersion (4). Mettez-le de côté afin de ne pas le perdre.



5. Réglez la molette (10) sur la position 4.



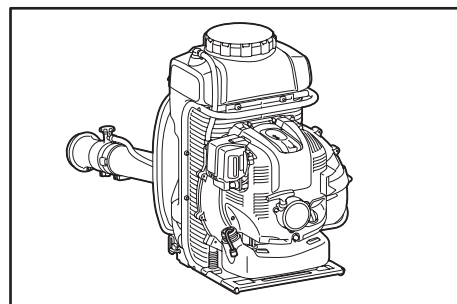
**TRANSPORT DE L'ATOMISEUR**

Transportez et remisez l'atomiseur en position verticale.

Si vous transportez ou remisez l'atomiseur dans une autre position, de l'huile risque de se déverser dans le moteur de l'atomiseur. Ceci risque d'entraîner des fuites d'huile, un dégagement de fumée blanche due à la combustion de l'huile et l'encrassement du filtre à air.

**⚠ DANGER :**

- Lorsque vous transportez et remisez l'atomiseur, veillez à arrêter le moteur.



## Vidange et nettoyage du réservoir de solution

### ⚠ AVERTISSEMENT :

- Portez toujours des gants en caoutchouc/résistants aux produits chimiques lorsque vous vidangez et nettoyez le réservoir de solution.

### Vidange du réservoir de solution

#### ⚠ AVERTISSEMENT :

- Ne jetez jamais les produits chimiques ou l'eau de rinçage en desserrant le raccord fileté situé en bas du réservoir de solution.
- Assurez-vous que le levier de commande de la pulvérisation est en position fermée avant et après la vidange.
- Si le réservoir de solution contient encore de la solution chimique après mise en œuvre de la méthode indiquée dans le manuel d'instruction, inclinez l'outil du côté du tube pour vider le reste de la solution.

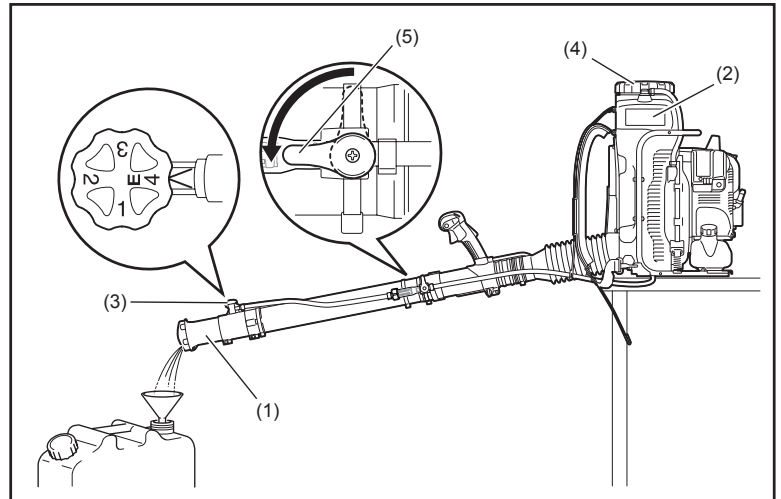
1. Placez l'atomiseur sur une surface stable. Positionnez le tube d'éjection (1) plus bas que le bas du réservoir de solution (2), et placez un conteneur sous le tube.

2. Réglez la molette (3) sur la position E.

3. Desserrez légèrement le bouchon du réservoir de solution (4) pour libérer la pression du réservoir.

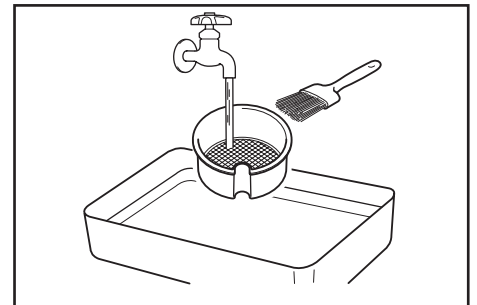
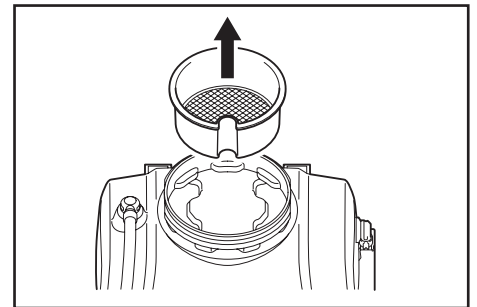
4. Placez le levier de commande de la pulvérisation en position ouverte (5). La solution chimique est évacuée par le tube d'éjection.

5. Nettoyez l'intérieur du réservoir avec de l'eau.



### Nettoyage de la crépine de l'orifice de remplissage du réservoir de solution

Après utilisation, retirez le bouchon du réservoir, sortez la crépine du réservoir et nettoyez-la.

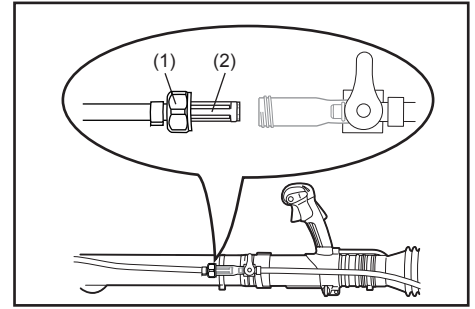


## Nettoyage du raccord fileté (tuyau)

### ⚠ AVERTISSEMENT :

- Ne retirez pas le collier de serrage, le tuyau ou le raccord fileté lorsque le levier de commande de la pulvérisation est ouvert.
- Ne desserrez pas le raccord fileté lorsque le levier de commande de la pulvérisation est ouvert.

1. Desserrez et retirez le raccord fileté (1) et la crépine (2).
2. Rincez la crépine pour éliminer la poussière et les particules.
3. Remettez la crépine en place. Veillez à serrer fermement le raccord fileté.



## INSPECTION ET ENTRETIEN

### ⚠ DANGER :

- Arrêtez le moteur et laissez-le refroidir avant tout travail d'inspection ou d'entretien. Enlevez la bougie et le capuchon de bougie.  
– Le non-respect de ces consignes risque d'entraîner un démarrage accidentel pouvant causer des brûlures cutanées ou un accident.
- Après inspection et entretien, vérifiez que toutes les pièces ont bien été remontées avant d'utiliser l'appareil.
- Portez toujours des gants en caoutchouc/résistants aux produits chimiques lors de l'inspection ou de l'entretien.

### REMARQUE :

- N'utilisez jamais d'essence, d'éther de pétrole, de diluant, d'alcool ou de produits similaires, qui peuvent entraîner une décoloration, une déformation ou l'apparition de fissures.

## Remplacement de l'huile moteur

Une huile moteur dégradée diminue considérablement la durée de vie des pièces mobiles. Vérifiez la périodicité de remplacement de l'huile ainsi que le volume.

### ⚠ DANGER :

- En général, le bloc-moteur et l'huile moteur sont très chauds juste après l'arrêt du moteur. Lors du remplacement de l'huile, assurez-vous que le bloc-moteur et l'huile moteur ont suffisamment refroidi. Le non-respect de cette consigne peut entraîner des brûlures. De plus, il faut un certain temps pour que toute l'huile retourne dans le carter après l'arrêt du moteur. Ne vérifiez pas le niveau d'huile juste après l'arrêt du moteur.
- En cas de remplissage excessif, l'huile risque de s'encrasser ou de brûler en dégageant une fumée blanche.

**Intervalle de remplacement :** Après les 20 premières heures de fonctionnement, et ensuite toutes les 50 heures de fonctionnement

**Huile recommandée :** huile SAE10W-30 de classe SF ou supérieure, selon la norme API (huile pour moteur 4-temps)

## Procédure de changement de l'huile

1. Placez l'atomiseur sur une surface plane.
2. Placez un récipient sous l'orifice de vidange (1) pour collecter l'huile usagée lors de son écoulement.  
La capacité du récipient doit être au minimum de 220 ml pour pouvoir récupérer toute l'huile.
3. Desserrez le boulon de vidange d'huile (2) pour laisser l'huile s'écouler. Faites attention à ne pas laisser l'huile couler sur le réservoir de carburant ou sur d'autres pièces.

### ⚠ ATTENTION :

- Veillez à ne pas perdre le joint (rondelle en aluminium) (3). Placez le boulon de vidange d'huile (2) dans un endroit où il ne risque pas d'être sali.

4. Retirez le bouchon du réservoir d'huile (4). (Le retrait du bouchon du réservoir d'huile (4) permet à l'huile de s'écouler facilement.)

### ⚠ ATTENTION :

- Veillez à placer le bouchon du réservoir d'huile (4) dans un endroit où il ne risque pas d'être sali.

5. À mesure que le niveau d'huile dans le réservoir diminue, inclinez l'atomiseur sur le côté pour vidanger complètement l'huile.

6. Une fois la vidange terminée, remettez le boulon de vidange d'huile (2) en place et serrez-le fermement. Si le boulon n'est pas assez serré, une fuite d'huile risque de se produire.

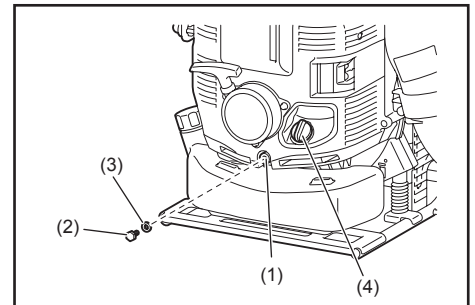
### ⚠ ATTENTION :

- N'oubliez pas de remonter le joint (rondelle en aluminium) (3) lorsque vous remettez le boulon de vidange d'huile en place.

7. L'ajout d'huile après la vidange se fait selon la même procédure (décrite précédemment) que pour l'ajout d'huile lorsque le niveau est insuffisant. Ajoutez toujours l'huile par l'orifice correspondant au bouchon du réservoir d'huile.

(niveau d'huile spécifié : environ 220 ml)

8. Après avoir rempli le réservoir d'huile, refermez bien le bouchon (4) pour éviter les fuites.





### Points essentiels pour le remplacement de l'huile moteur

- Ne jetez jamais l'huile moteur avec les ordures ménagères, ne le déversez pas sur le sol ou dans les égouts. L'élimination de l'huile est réglementée par la loi. Conformez-vous aux lois et réglementations applicables. Si vous avez besoin d'informations supplémentaires, contactez un technicien agréé.
- L'huile se dégrade même si elle n'est pas utilisée. Vérifiez-la et remplacez-la régulièrement (vidange complète tous les 6 mois).

### Nettoyage du filtre à air

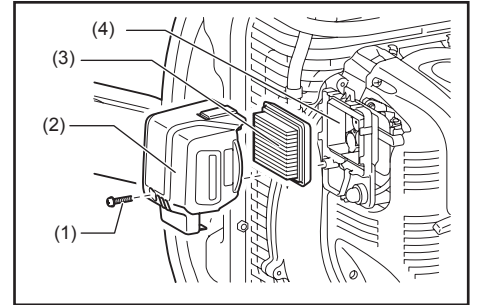
**⚠ AVERTISSEMENT :** SUBSTANCES INFLAMMABLES STRICTEMENT INTERDITES

Intervalle de nettoyage et d'inspection : Quotidien (toutes les 10 heures de fonctionnement)

1. Desserrez le boulon (1).
2. Retirez le couvercle du filtre à air (2).
3. Retirez le filtre (3) et nettoyez-le avec la brosse.

**NOTE :**

- Il s'agit d'un filtre sec, qui ne doit pas être mouillé. Ne le nettoyez jamais à l'eau.
4. Remplacez le filtre s'il est endommagé ou très sale.
  5. Essuyez toute huile se trouvant sur le reniflard avec un chiffon.
  6. Placez le filtre dans son logement (4).
  7. Fixez le couvercle du filtre à air à l'aide du boulon.



**⚠ DANGER :**

- Nettoyez le filtre plusieurs fois par jour en cas de dépôt de poussière excessif.
- Si vous continuez à utiliser l'appareil alors que le filtre est encrassé par de l'huile, cette huile risque de s'écouler à l'extérieur et de contaminer le sol.

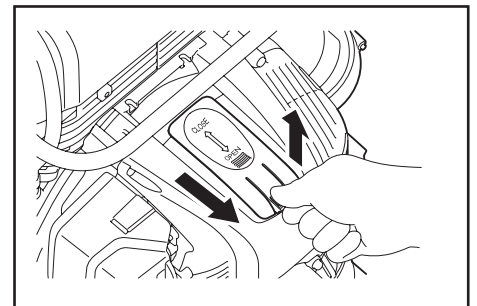
### Vérification de la bougie d'allumage

**⚠ ATTENTION :**

- Lors du démontage de la bougie d'allumage, nettoyez d'abord la bougie et la culasse pour éviter la pénétration d'impuretés ou de sable dans le cylindre.
- Attendez le refroidissement complet du moteur avant de démonter la bougie d'allumage sous peine d'endommager le pas de vis du cylindre.
- Vissez correctement la bougie dans le trou fileté. Ne la vissez pas de travers sous peine d'endommager le filetage du cylindre.

1. Ouverture/fermeture du cache de bougie

Pour ouvrir le cache de bougie, tirez sur la partie saillante du cache et faites-le glisser dans la direction « OPEN » (ouvert) comme indiqué sur la figure ci-contre. Pour fermer le cache, faites-le glisser dans la direction « CLOSE » (fermé) jusqu'à ce que l'ergot situé sous la partie saillante se trouve au-dessus du carter du moteur. Appuyez ensuite sur la partie saillante.

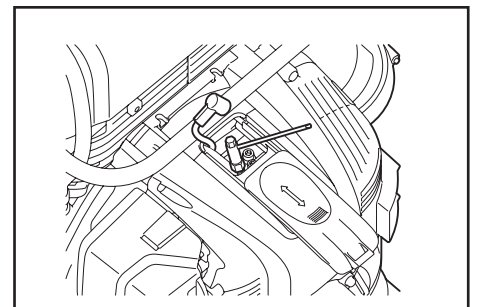


2. Retrait de la bougie d'allumage

Utilisez la clé à douille fournie pour retirer ou installer la bougie d'allumage.

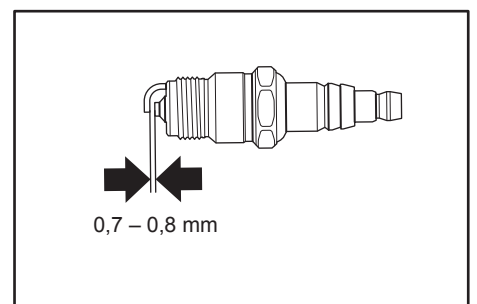
3. Vérification de la bougie d'allumage

La distance entre les deux électrodes de la bougie est de 0,7 à 0,8 mm (voir la figure). Réglez-la correctement si elle est trop importante ou trop faible. Nettoyez la bougie à fond ou remplacez-la en cas d'accumulation de carbone ou d'encrassement.



4. Remplacement de la bougie d'allumage

Utilisez des bougies NGK-CMR6A.

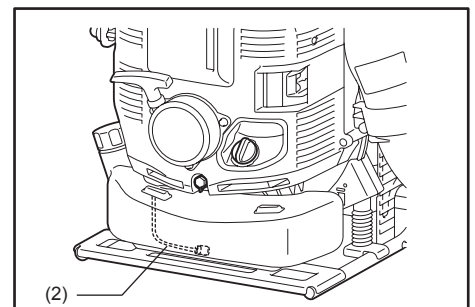
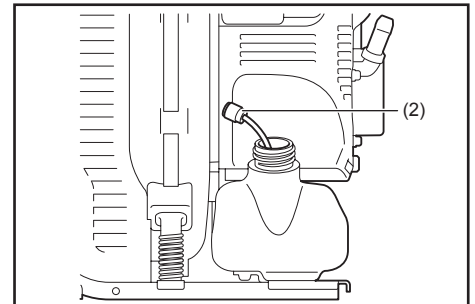
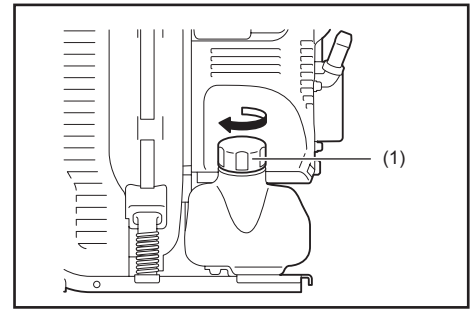


## Nettoyage du filtre à carburant

- Un filtre à carburant colmaté peut rendre le démarrage difficile ou empêcher la montée en vitesse du moteur.
  - Vérifiez régulièrement le filtre à carburant comme suit :
1. Retirez le bouchon du réservoir de carburant (1) et vidangez-le entièrement. Vérifiez qu'aucun corps étranger ne se trouve à l'intérieur du réservoir. Le cas échéant, enlevez-les.
  2. Faites sortir le filtre à carburant (2) par l'orifice de remplissage du réservoir de carburant à l'aide d'un fil métallique.
  3. Si la surface du filtre à carburant est encrassée, nettoyez-la avec de l'essence. L'essence utilisée pour le nettoyage doit être éliminée conformément aux méthodes spécifiées par les autorités locales. Un filtre doit être remplacé s'il est très encrassé.
  4. Remettez le filtre à carburant dans le réservoir de carburant, remettez le bouchon en place et serrez-le fermement.

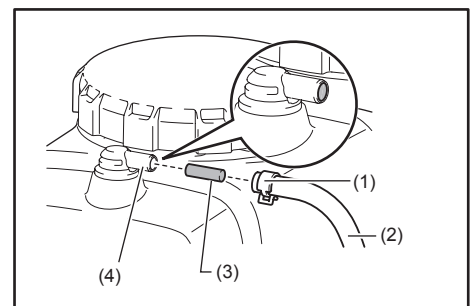
### NOTE :

- Lorsque vous remettez le filtre à carburant dans le réservoir, remplacez-le dans la position indiquée sur la figure. S'il est nécessaire de le remplacer, contactez votre centre technique agréé.



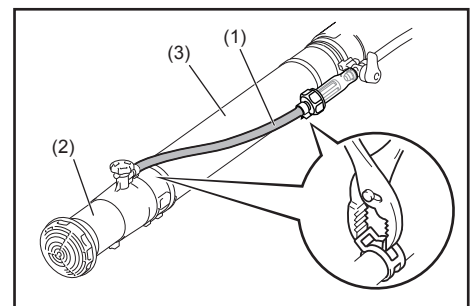
## Nettoyage du filtre du raccord du tuyau

1. Retirez le collier de serrage (1) et le tuyau (2).
2. Retirez le filtre (3) et nettoyez-le avec la brosse. Si vous avez du mal à retirer le filtre, utilisez une fine baguette pour l'attraper.
3. Remplacez le filtre s'il est endommagé ou très sale.
4. Poussez le filtre dans le raccord (4) jusqu'à ce que l'arrière du filtre soit aligné avec le bord de l'orifice.
5. Installez le tuyau et fixez-le avec un collier de serrage.



## Remplacement du tuyau de solution

- Vérifiez régulièrement l'état du tuyau de solution (1). Un tuyau endommagé peut entraîner des fuites de solution chimique. Si nécessaire, remplacez le tuyau comme suit.
1. Retirez le tube d'éjection (2) du tube (3).
  2. Desserrez le collier de serrage, puis remplacez le vieux tuyau par un neuf.



## Inspection des boulons, écrous et vis

- Resserrez les boulons, écrous, etc.
- Vérifiez l'absence de fuite de carburant et d'huile.
- Remplacez les pièces endommagées pour assurer un fonctionnement en toute sécurité.

## Remplacement des joints et garnitures

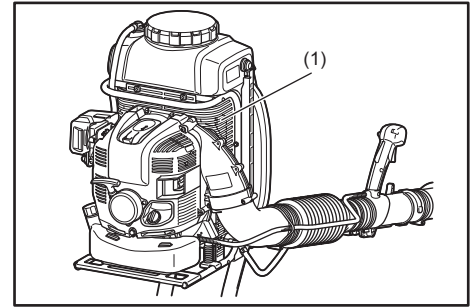
Lorsque vous remontez le moteur après l'avoir démonté, veillez à remplacer les joints et garnitures par des composants neufs.

## Nettoyage des pièces

- Veillez à ce que le moteur reste toujours propre.
- Maintenez les ailettes du cylindre exemptes de poussières ou d'impuretés. La poussière et les impuretés adhérant aux ailettes peuvent entraîner un grippage.
- L'air soufflé provient de la crépine d'entrée d'air (1). Lorsque le débit d'air diminue en cours de fonctionnement, arrêtez le moteur et vérifiez que la crépine d'entrée d'air n'est pas obstruée.
- Si vous ne nettoyez pas la crépine, le moteur risque de surchauffer et de s'abîmer.

### ⚠ AVERTISSEMENT :

- N'utilisez jamais l'atomiseur sans la crépine. Avant chaque utilisation, vérifiez que la crépine est bien en place et qu'elle n'est pas endommagée.



Tous les travaux d'entretien et les réglages non prévus et non décrits par ce manuel doivent être effectués par un technicien agréé.

## REMISAGE

### Vidange du carburant

#### ⚠ AVERTISSEMENT :

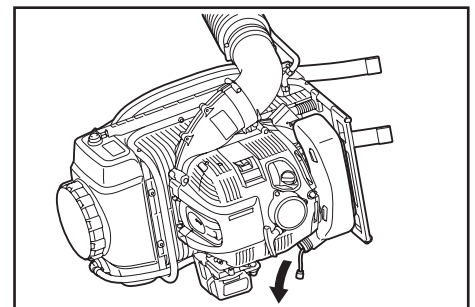
- Arrêtez le moteur et laissez-le refroidir avant de vidanger le carburant.
  - Le moteur risque d'être chaud juste après l'arrêt, ce qui présente des risques de brûlure, d'inflammation et d'incendie.

#### ⚠ ATTENTION :

- Si vous n'utilisez pas l'appareil pendant une période prolongée, vidangez tout le carburant contenu dans le réservoir de carburant et le carburateur. Remisez-le dans un endroit propre et sec.

Vidangez le carburant contenu dans le réservoir de carburant et le carburateur selon la procédure suivante :

- 1) Enlevez le bouchon du réservoir de carburant, et vidangez tout le carburant. Retirez tout corps étranger se trouvant dans le réservoir de carburant.
- 2) Faites sortir le filtre à carburant par l'orifice de remplissage à l'aide d'un fil métallique.
- 3) Appuyez sur la pompe d'amorçage jusqu'à ce que le carburant s'écoule, et vidangez le carburant s'écoulant dans le réservoir de carburant.
- 4) Remettez le filtre à carburant dans le réservoir de carburant, remettez le bouchon en place et serrez-le fermement.
- 5) Faites ensuite fonctionner le moteur jusqu'à ce qu'il s'arrête.
- 6) Enlevez la bougie d'allumage, et versez quelques gouttes d'huile moteur dans le trou de la bougie.
- 7) Tirez doucement sur la poignée du démarreur afin que l'huile moteur se répartisse dans tout le moteur, et installez la bougie d'allumage.
- 8) Remisez l'appareil en position verticale.
- 9) Conservez le carburant collecté dans un conteneur spécial, dans un emplacement bien aéré et à l'ombre.



### Vidange du réservoir de solution

#### ⚠ AVERTISSEMENT :

- Arrêtez le moteur et laissez-le refroidir avant de vidanger le réservoir de solution.
  - Le moteur risque d'être chaud juste après l'arrêt, ce qui présente des risques de brûlure, d'inflammation et d'incendie.

Avant de remiser l'atomiseur, vidangez le réservoir de solution en vous référant à la partie « Vidange et nettoyage du réservoir de solution ».

### Nettoyage de la crépine de l'orifice de remplissage du réservoir de solution

Avant de remiser l'atomiseur, veillez à toujours nettoyer la crépine de l'orifice de remplissage du réservoir de solution. Référez-vous à la partie « Vidange et nettoyage du réservoir de solution » pour la procédure de nettoyage de la crépine.

### Nettoyage de la crépine du raccord fileté (tuyau)

Avant de remiser l'atomiseur, veillez à toujours nettoyer la crépine du raccord fileté (tuyau). Référez-vous à la partie « Vidange et nettoyage du réservoir de solution » pour la procédure de nettoyage de la crépine.

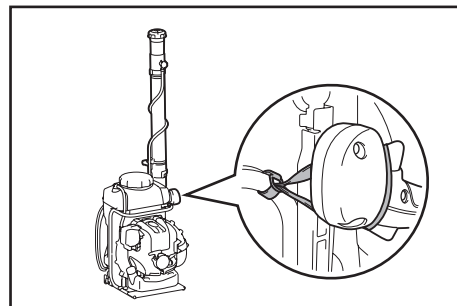
#### ⚠ ATTENTION :

- Lorsque vous remisez l'atomiseur, veillez à arrêter le moteur.

## Fixation du tube droit avec la dragonne fournie

Lorsque vous remisez l'atomiseur, attachez le tube droit au corps de l'outil avec la dragonne fournie.

Le maintien du tube dans cette position facilite le transport de l'appareil.



## Périodicité de l'entretien

Élément	Durée de fonctionnement								Page correspondante
		Avant utilisation	Après lubrification	Quotidien (10 h)	30 h	50 h	200 h	Arrêt/pause	
Huile moteur	Inspecter	○							38
	Remplacer					○ <sup>*1</sup>			48
Pièces de serrage (boulons, écrous)	Inspecter	○							50
Crépine de l'orifice de remplissage du réservoir de solution	Inspecter	○							47
	Nettoyer			○					47
Crépine du raccord fileté (tuyau)	Inspecter	○							48
	Nettoyer			○					48
Réservoir de carburant	Nettoyer/inspecter	○							—
	Vidanger le carburant							○ <sup>*3</sup>	51
Gâchette de commande d'accélération	Vérifier le fonctionnement		○						—
Levier de commande d'arrêt	Vérifier le fonctionnement		○						41
Vitesse au ralenti	Inspecter/régler			○					41
Filtre à air	Nettoyer			○					49
Bougie d'allumage	Inspecter			○					49
Conduit d'air de refroidissement	Nettoyer/inspecter			○					51
Tuyau de carburant	Inspecter			○					50
	Remplacer						◎ <sup>*2</sup>		—
Filtre à carburant	Nettoyer/remplacer					○			50
Espace entre soupape d'admission d'air et soupape d'échappement d'air	Régler						◎ <sup>*2</sup>		—
Tuyau d'huile	Inspecter						◎ <sup>*2</sup>		—
Révision générale du moteur							◎ <sup>*2</sup>		—
Carburateur	Vidanger le carburant							○ <sup>*3</sup>	51

\*1 Premier remplacement après 20 heures de fonctionnement.

\*2 Pour l'inspection des 200 heures de fonctionnement, adressez-vous à un centre technique agréé ou à un atelier de réparation.

\*3 Après avoir vidangé le réservoir de carburant, continuez à faire fonctionner le moteur et vidangez le carburant présent dans le carburateur.

## DÉPANNAGE

Avant de faire faire une réparation, vérifiez les points suivants. En cas d'anomalie, inspectez votre appareil conformément aux instructions contenues dans ce manuel. Ne démontez aucune pièce de manière non conforme aux instructions, ne les modifiez pas. Pour toute réparation, adressez-vous à un technicien agréé ou à votre revendeur le plus proche.

Anomalie constatée	Cause probable (dysfonctionnement)	Remède
Le moteur ne démarre pas.	Le commutateur de marche/arrêt est sur STOP.	Placez le commutateur de marche/arrêt sur Marche.
	Mauvais fonctionnement de la pompe d'amorçage.	Appuyez 7 à 10 fois.
	Faible vitesse de traction du cordon du démarreur.	Tirez fort.
	Manque de carburant.	Faites le plein de carburant.
	Mauvaise position du levier du dispositif de démarrage à froid.	Positionnez-le sur « CLOSE » (fermé) (démarrage à froid). Positionnez-le sur « OPEN » (ouvert) (démarrage à chaud).
	Filtre à carburant colmaté.	Nettoyez-le.
	Tuyau de carburant plié ou obstrué.	Redressez ou remplacez le tuyau de carburant.
	Carburant dégradé.	Un carburant dégradé rend le démarrage difficile. Remplacez le carburant (intervalle recommandé : 1 mois).
	Aspiration du carburant excessive.	Faites passer le levier de commande d'accélération de la position vitesse moyenne à la position vitesse rapide, et tirez sur la poignée du démarreur jusqu'à ce que le moteur démarre. Si le moteur ne démarre toujours pas, déposez la bougie d'allumage, séchez l'électrode et remontez la bougie dans sa position initiale. Ensuite, démarrez en suivant les instructions.
	Capuchon de bougie déposé.	Remontez-le et fixez-le fermement.
	Bougie d'allumage encrassée.	Nettoyez-la.
	Distance anormale entre les deux électrodes de la bougie.	Réglez la distance.
	Anomalie de la bougie d'allumage.	Remplacez-la.
	Anomalie du carburateur.	Faites une demande d'inspection et d'entretien.
	Impossible de tirer sur la poignée du démarreur, ou absence de compression.	Faites une demande d'inspection et d'entretien.
Anomalie du système d'entraînement/électrique (défaut du commutateur de marche/arrêt, du câblage, du connecteur, etc.).	Faites une demande d'inspection et d'entretien.	
Le moteur s'arrête tout de suite. Le moteur n'accélère pas.	Préchauffage insuffisant.	Préchauffez le moteur.
	Le levier du dispositif de démarrage à froid est en position « CLOSE » (fermé) bien que le moteur soit chaud.	Mettez-le en position « OPEN » (ouvert).
	Faible vitesse de ralenti.	Réglez la vitesse de ralenti.
	Filtre à carburant colmaté.	Nettoyez-le.
	Filtre à air encrassé ou colmaté.	Nettoyez-le.
	Anomalie du carburateur.	Faites une demande d'inspection et d'entretien.
	Anomalie de l'échappement du silencieux (obstrué, etc.).	Faites une demande d'inspection et d'entretien.
	Anomalie du système d'entraînement/électrique.	Faites une demande d'inspection et d'entretien.
Câble de commande de l'accélération détaché.	Remontez-le et fixez-le fermement.	
Le moteur ne s'arrête pas. ↓ Faites tourner le moteur au ralenti, et mettez le levier du dispositif de démarrage à froid en position « CLOSE » (fermé).	Connecteur déconnecté.	Remontez-le et fixez-le fermement.
	Anomalie du système électrique.	Faites une demande d'inspection et d'entretien.

Lorsque le moteur ne démarre pas après le préchauffage :

Si les éléments inspectés ne présentent aucune anomalie, ouvrez la vanne d'étranglement d'environ 1/3 et démarrez le moteur.

Vielen Dank, dass Sie dieses DOLMAR Benzin-Sprühgerät gewählt haben. Wir freuen uns, Ihnen das DOLMAR Benzin-Sprühgerät anbieten zu können. Es stellt das Ergebnis eines langen Entwicklungsprogramms und langjähriger Fachkenntnis und Erfahrung dar.

Das Sprühgerät vereint die Vorzüge hochmoderner Technologie mit ergonomischem Design. Es ist leicht, handlich, kompakt und stellt ein professionelles Gerät für zahlreiche Anwendungen dar.

**Bitte lesen, verstehen und befolgen Sie diese Anleitung, in der die verschiedenen Punkte, welche die hervorragende Leistung dieses Produkts demonstrieren, ausführlich behandelt werden. Die Anleitung wird Ihnen dabei helfen, die bestmöglichen Resultate von Ihrem DOLMAR Sprühgerät auf sichere Weise zu erhalten.**



Inhaltsverzeichnis

	Seite
Symbole.....	54
Wichtige Sicherheitsvorschriften .....	55
Technische Daten .....	61
Bezeichnung der Teile .....	62
Montageanleitung .....	63
Vor dem Starten des Motors.....	64
Starten und Stoppen des Motors.....	66
Einstellen der Leerlaufdrehzahl .....	67
Betriebsmethode .....	68
Überprüfung und Wartung .....	74
Lagerung .....	77
Fehlersuche.....	79

**SYMBOLE**

Es ist sehr wichtig, die Bedeutung der folgenden Symbole beim Durchlesen dieser Anleitung zu verstehen.

	WARNUNG/GEFAHR		Atemschutz tragen
	Bedienungsanleitung lesen, verstehen und befolgen		Heiße Oberflächen – Verbrennungen von Fingern oder Händen
	Verboten		Kraftstoff (Benzin)
	Nicht rauchen		Manueller Motorstart
	Keine offenen Flammen		Notstopp
	Festes Schuhwerk mit rutschfesten Sohlen tragen		Erste Hilfe
	Geeignete Schutzkleidung tragen		EIN/START
	Schutzhandschuhe tragen		AUS/STOP
	Umstehende beim Sprühen fernhalten		Finger- oder Handverletzungen durch Laufradflügel
	Arbeitsbereich von Personen und Tieren frei halten		Langes Haar kann einen Unfall durch Erfassen verursachen
	Augen- und Gehörschutz tragen		Giftige Dämpfe oder Gase. Nicht in unbelüftetem Bereich betreiben.

# WICHTIGE SICHERHEITSVORSCHRIFTEN

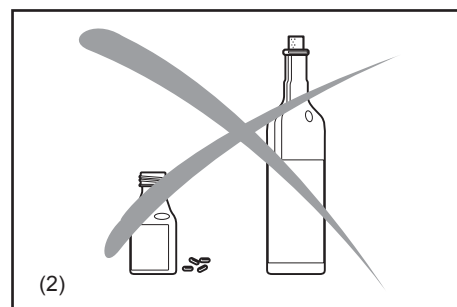
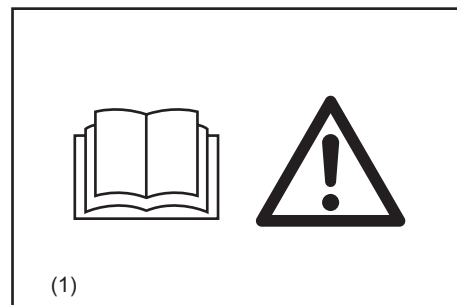
## ⚠️ WARNUNG:

- Lesen Sie alle Sicherheitswarnungen und Anweisungen durch. Eine Missachtung der Warnungen und Anweisungen kann zu einem elektrischen Schlag, Brand und/oder schweren Verletzungen führen.

**Bewahren Sie alle Warnungen und Anweisungen für spätere Bezugnahme auf.**

## Allgemeine Vorschriften

- Damit korrekter und sicherer Betrieb gewährleistet ist, muss der Benutzer diese Bedienungsanleitung lesen, verstehen und befolgen, um sich mit der Handhabung des Sprühgeräts vertraut zu machen (1). Unzureichend informierte Benutzer können sich und andere Personen durch unsachgemäßen Gebrauch gefährden.
- Es ist ratsam, das Sprühgerät nur an Personen zu verleihen, die erwiesenermaßen Erfahrung im Umgang mit Sprühgeräten haben.
- Dabei ist auch stets die Bedienungsanleitung auszuhändigen.
- Erstmalige Benutzer sollten eine Grundeinführung vom Händler erhalten, um sich mit der Handhabung eines Sprühgeräts vertraut zu machen.
- Kinder und Jugendliche unter 18 Jahren dürfen das Sprühgerät nicht benutzen. Personen über 16 Jahren ist jedoch die Benutzung der Maschine für Ausbildungszwecke nur unter direkter Aufsicht eines qualifizierten Ausbilders gestattet.
- Benutzen Sie Sprühgeräte mit äußerster Sorgfalt und Aufmerksamkeit.
- Betreiben Sie das Sprühgerät nur, wenn Sie sich in guter körperlicher Verfassung befinden.
- Führen Sie alle Arbeiten gewissenhaft und sorgfältig durch. Der Benutzer ist gegenüber Dritten verantwortlich.
- Benutzen Sie das Sprühgerät niemals unter dem Einfluss von Alkohol oder Drogen (2).
- Benutzen Sie das Gerät nicht, wenn Sie müde sind.
- Bewahren Sie diese Anleitung für spätere Bezugnahme auf.



## Verwendungszweck der Maschine

- Benutzen Sie die Maschine sachgerecht. Das Sprühgerät ist nur für das Sprühen von flüssigen Chemikalien und anderen Flüssigkeiten zur Bekämpfung von Schädlingen und Unkraut in Obst-, Blumen- und Gemüsegärten, auf Bäumen und Buschwerk sowie anderen Pflanzen, wie Kaffee, Tabak und Baumwolle vorgesehen. Es ist auch nützlich bei der Pflege junger Bäume, z. B. zur Bekämpfung des Borkenkäfers sowie anderer Schädlinge und Pflanzenkrankheiten. Benutzen Sie das Gerät niemals für andere Zwecke.
- Verwenden Sie nur Pflanzenschutzprodukte, die vom Hersteller ausdrücklich für den Gebrauch mit Sprühgeräten zugelassen sind, und die alle geltenden Sicherheitsbestimmungen, Normen und Verordnungen erfüllen.

Holen Sie sich Informationen von Ihrem Händler über den Betrieb Ihres Sprühgeräts. Beachten Sie alle geltenden örtlichen Sicherheitsbestimmungen, Normen und Verordnungen.

Alle Personen des Bedienungs- und Wartungspersonals sollten im korrekten Umgang mit den verwendeten Chemikalien ausgebildet und eingearbeitet sowie mit erster Hilfe/Notfallversorgung und den Vorschriften der Entsorgung flüssiger Chemikalien vertraut sein.

## ⚠️ WARNUNG:

- Ihr Sprühgerät ist nur für professionellen Einsatz vorgesehen. Verleihen oder vermieten Sie Ihr Sprühgerät nicht ohne die Bedienungsanleitung. Achten Sie darauf, dass jeder Benutzer die in dieser Bedienungsanleitung enthaltenen Informationen versteht.

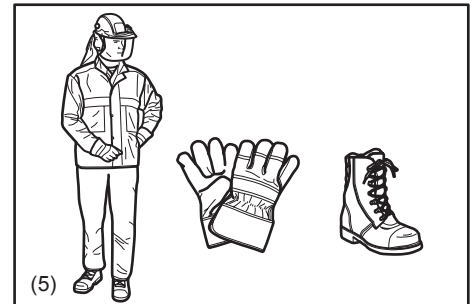
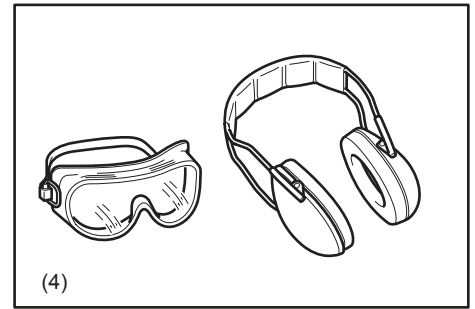
## Persönliche Schutzausrüstung

- Um Verletzungsgefahr bei der Benutzung chemischer Produkte zu verringern, tragen Sie geeignete Schutzkleidung beim Befüllen, Benutzen und Reinigen des Sprühgeräts. Befolgen Sie stets alle Anweisungen des Chemikalienherstellers in Bezug auf den angemessenen Schutz von Augen, Haut und Atemwegen. Sie können von den folgenden Vorsichtsmaßnahmen abweichen und über diese hinausgehen.
- Bei Verwendung giftiger Chemikalien müssen Bediener und Umstehende eventuell ein ordnungsgemäß passendes Atemgerät für die verwendete Chemikalie tragen. Nehmen Sie auf den Chemikalienaufkleber Bezug. Einatmen von giftigen Chemikalien kann schwere oder tödliche Verletzungen verursachen.
- Die Kleidung sollte zweckmäßig und angemessen, d. h. eng anliegend, aber nicht hinderlich sein. Tragen Sie keine Schmucksachen, Kleidungsstücke oder lange Haare, die in den Lufteinlass eingesaugt werden könnten. (3)
- Um Verletzungen von Kopf, Augen, Händen oder Füßen sowie Gehörschäden zu vermeiden, müssen die folgenden Schutzvorrichtungen und Schutzkleidung während der Arbeit mit dem Sprühgerät verwendet werden.



## Schenken Sie den folgenden Vorschriften besondere Aufmerksamkeit.

- Die Kleidung sollte robust und eng anliegend sein, aber dennoch vollkommene Bewegungsfreiheit gewähren. Vermeiden Sie locker sitzende Jacken, ausgestellte oder umgeschlagene Hosen, Schals, offenes langes Haar oder Gegenstände, die in den Lufteinlass gesaugt werden könnten.  
Tragen Sie eine lange Hose, um Ihre Beine zu schützen.  
Tragen Sie keine Shorts. (5)
- Das Geräusch des Sprühgeräts kann Ihr Gehör schädigen. Tragen Sie einen Gehörschutz (Gehörschutzstöpsel oder Ohrenschrützer) zum Schutz Ihres Gehörs. Langzeit- und Dauerbenutzer sollten ihr Gehör regelmäßig überprüfen lassen. (4)
- Benutzen Sie stets Gummi- oder chemikalienfeste Handschuhe, wenn Sie mit dem Sprühgerät arbeiten. Guter Stand ist äußerst wichtig. Tragen Sie Gummi-/Chemikalienstiefel. (5)
- Angemessener Augenschutz ist ein Muss. Obwohl der Auslass vom Bediener weg gerichtet ist, können Querschläger und Rückpraller während des Betriebs des Sprühgeräts auftreten. (4)
- Betreiben Sie ein Sprühgerät nur mit einer Schutzbrille oder einer vorschriftsmäßigen Sicherheitsbrille mit geeignetem Ober- und Seitenschutz, die der Norm ANSI Z 87.1 (bzw. der zutreffenden Norm Ihres Landes) entspricht.



## UMGANG MIT CHEMIKALIEN

- Einige Chemikalien, die Sie mit Ihrem Sprühgerät verwenden, können giftige und/oder ätzende Substanzen enthalten. Solche Chemikalien können gefährlich sein und schwere oder tödliche Verletzungen bei Personen und Tieren und/oder schwere Schäden an Pflanzen und der Umwelt verursachen.  
Vermeiden Sie direkten Kontakt mit Chemikalien.  
Befolgen Sie die Anweisungen des Chemikalienherstellers in Bezug auf Kontakt mit seinem Produkt.
- Lesen Sie den Herstelleraufkleber und die Gebrauchsanleitung jedes Mal, bevor Sie die Chemikalie mischen, benutzen, lagern oder entsorgen.  
Verlassen Sie sich nicht auf Ihr Gedächtnis.  
Fahrlässiger oder falscher Gebrauch kann schwere oder tödliche Verletzungen verursachen.
- Lesen Sie die Aufkleber auf den Chemikalienbehältern sorgfältig vor Gebrauch.  
Chemikalien sind in Toxizitätsklassen eingestuft.  
Jede Klasse hat ihre eigenen Handhabungseigenschaften.  
Machen Sie sich mit den Eigenschaften der Klasse der verwendeten Chemikalie vertraut.  
Chemikalien dürfen nur von Personen verwendet werden, die im Umgang mit Chemikalien und in der Anwendung geeigneter Erste-Hilfe-Maßnahmen geschult sind.
- Bei unsachgemäßem Gebrauch können Chemikalien schädlich für Personen, Tiere und die Umwelt sein. Außerdem ist es ratsam, bestimmte ätzende, korrosive oder giftige Chemikalien nicht in Ihrem Sprühgerät zu benutzen.
- Mischen Sie nur kompatible Schädlingsbekämpfungsmittel. Falsche Mischungen können giftige Dämpfe erzeugen.  
Achten Sie bei der Handhabung und Versprühung von Chemikalien darauf, dass Sie im Einklang mit den Umweltschutzregeln und -richtlinien von Kommune, Land und Bund handeln. Sprühen Sie nicht bei starkem Wind. Verwenden Sie zum Schutz der Umwelt nur die empfohlene Dosierung – nicht zu viel verwenden.  
Lassen Sie bei Verwendung in der Nähe von Wassereinzugsgebieten, Wasserwegen usw. besondere Vorsicht walten.
- Vermeiden Sie, während der Handhabung von Chemikalien oder während des Sprühens den Mund zu öffnen, z. B. zum Essen, Trinken oder Rauchen. Blasen Sie niemals mit dem Mund durch Düsen, Leitungen, Rohre oder andere Komponenten.  
Handhaben Sie Chemikalien immer in einem gut belüfteten Bereich, während Sie angemessene Schutzkleidung und Sicherheitsausrüstung tragen.  
Lagern oder transportieren Sie Chemikalien nicht zusammen mit Lebensmitteln, Getränken oder Medikamenten, und unterlassen Sie die Wiederverwendung eines Chemikalienbehälters für andere Zwecke.  
Füllen Sie flüssige Chemikalien nicht in andere Behälter um, insbesondere Lebensmittel- und/oder Getränkebehälter.
- Falls Sie versehentlich mit Chemikalien in Berührung kommen, verschlucken oder Ihre Kleidung damit beschmutzen, brechen Sie die Arbeit ab, und konsultieren Sie unverzüglich die Anweisungen des Chemikalienherstellers.  
Falls Sie nicht wissen, was zu tun ist, fragen Sie unverzüglich eine Vergiftungs-Informationszentrale oder einen Arzt um Rat.  
Halten Sie den Produktaufkleber bereit, um ihn vorzulesen oder den konsultierten Personen zu zeigen.  
Falls Chemikalien verschüttet werden, säubern Sie den betroffenen Bereich sofort.  
Entsorgen Sie Chemikalienreste unter Beachtung der Gesetze und Vorschriften Ihres Bundeslands, des Bundes oder Ihres Landes.
- Halten Sie Chemikalien außer Reichweite von Kindern, anderen unbefugten Personen und Tieren.  
Lagern Sie nicht benutzte Chemikalien an einem sicheren und verschlossenen Ort.  
Befolgen Sie die Herstellerempfehlungen für korrekte Lagerung.



## Vorbereiten von Chemikalien

- Bereiten Sie Chemikalienlösungen entsprechend den Anweisungen des Chemikalienherstellers vor.
- Bereiten Sie nur so viel Lösung vor, wie für die anstehende Arbeit ausreichend ist, damit keine Lösung übrig bleibt.
- Mischen Sie Chemikalien nur gemäß den Anweisungen – falsche Mischungen können giftige Dämpfe oder explosive Gemische erzeugen.
- Sprühen Sie niemals unverdünnte Chemikalien.
- Die Zubereitung der Lösung und die Befüllung des Behälters sollte nur im Freien an einem gut belüfteten Ort durchgeführt werden.
- Der Bediener sollte die Bezeichnung der gegenwärtig verwendeten Chemikalie abklären.

## Lagerung

- Bewahren Sie Sprühlösung nicht länger als einen Tag im Behälter auf.
- Lagern und transportieren Sie Sprühlösung nur in zugelassenen Behältern.
- Lagern oder transportieren Sie die Sprühlösung niemals in Behältern, die für Lebensmittel, Getränke oder Tierfutter vorgesehen sind.
- Lagern oder transportieren Sie Sprühlösung nicht zusammen mit Lebensmitteln, Getränken oder Tierfutter.
- Halten Sie Sprühlösung außer Reichweite von Kindern, anderen unbefugten Personen und Tieren.
- Lagern Sie die Sprühlösung an einem abschließbaren Ort, der vor unbefugtem Zutritt gesichert ist.

## Entsorgung

Schütten Sie Chemikalienreste oder verunreinigte Spüllösungen niemals in Wasserwege, Abflüsse, Abwasserkanäle, Straßenrinnen, Kanalschächte oder dergleichen.

Beachten Sie bei der Entsorgung verunreinigter Spüllösungen alle geltenden Gesetze, Vorschriften und Verordnungen.

Befolgen Sie strikt die Vorsichtsmaßnahmen des Chemikalienherstellers.

## Befüllen des Behälters

- Ziehen Sie alle Anschlüsse fest, und vergewissern Sie sich, dass die Rohre und Leitungen sicher angebracht und in gutem Zustand sind. Halten Sie den Lösungsablasshebel geschlossen.
- Bevor Sie das Sprühgerät mit Chemikalien verwenden, füllen Sie es mit frischem Wasser, um sicherzustellen, dass es ordnungsgemäß zusammengebaut ist, und üben Sie sich im Sprühen. Prüfen Sie dabei auch, ob Lecks vorhanden sind. Wenn Sie sich mit der Bedienung des Sprühgeräts gründlich vertraut gemacht haben, folgen Sie den normalen Betriebsverfahren.
- Befüllen Sie Ihr Sprühgerät an einem gut belüfteten Ort im Freien.
- Verwenden Sie keine:
  - entzündlichen Stoffe im Sprühgerät, die eine Explosion mit schweren oder tödlichen Verletzungen verursachen können;
  - ätzenden oder korrosiven Stoffe im Sprühgerät, die zu einer Beschädigung des Geräts führen könnten;
  - Flüssigkeiten mit einer Temperatur über 50 °C, um die Gefahr von Verbrühung und Beschädigung des Geräts zu verringern.

Stellen Sie das Sprühgerät zum Befüllen des Lösungstanks auf eine ebene Fläche, und füllen Sie die Lösung nur bei guten Licht- und Sichtverhältnissen ein. Um die Gefahr einer Verschmutzung der Umgebung zu verringern, achten Sie darauf, dass Sie den Lösungstank nicht mit Chemikalienlösung überfüllen.

Um die Verletzungsgefahr zu verringern, befüllen Sie das Sprühgerät nicht, während Sie es auf Ihrem Rücken tragen.

Wenn Sie den Lösungstank befüllen, während ein Schlauch an eine zentrale Wasserversorgung angeschlossen ist, vergewissern Sie sich, dass das Schlauchende außerhalb der Lösung ist, um die Gefahr von Rückfluss, d. h. Ansaugen der Chemikalien in die Wasserversorgung im Falle eines plötzlichen Vakuums, zu verringern.

Berechnen Sie die korrekte Menge der Chemikalienlösung, so dass sie in einem Durchgang aufgebraucht wird, ohne dass ein Lösungsrest im Tank übrig bleibt.

Bringen Sie nach dem Befüllen den Lösungstankdeckel an, und ziehen Sie ihn gut fest.

- Prüfen Sie während der Befüllung und während des Betriebs, ob ein Leck vorhanden ist. Lösung, die vom Lösungstank oder einem lockeren Anschlussstück ausläuft, könnte Ihre Kleidung durchnässen und mit Ihrer Haut in Berührung kommen.

## Starten des Sprüheräts

- Vergewissern Sie sich, dass sich keine Kinder oder andere Personen innerhalb eines Arbeitsradius von 20 m (6) aufhalten, und achten Sie auch auf Tiere im Arbeitsbereich.

Benutzen Sie das Sprüherät niemals in Stadtgebieten.

- Prüfen Sie vor der Benutzung immer, ob das Sprüherät betriebssicher ist: Prüfen Sie die Sicherheit des Gasabzugs. Der Gasabzug sollte auf reibungslose und leichtgängige Betätigung überprüft werden. Prüfen Sie, ob die Gasabzugssperre einwandfrei funktioniert.

Vergewissern Sie sich, dass die Handgriffe sauber und trocken sind, und überprüfen Sie die Funktion des Ein-Aus-Schalters. Halten Sie die Handgriffe frei von Öl und Kraftstoff.

- Um die Gefahr von Auslaufen und Hautkontakt mit Chemikalien zu verringern, prüfen Sie, ob der Behälterdeckel und alle Anschlüsse im Sprüherät dicht sind, und vergewissern Sie sich, dass der Schlauch sicher angeschlossen und in gutem Zustand ist. Halten Sie den Lösungsablasshebel geschlossen.
- Vergewissern Sie sich vor dem Starten der Maschine, dass der Lösungsablasshebel geschlossen ist.
- Stellen Sie sicher, dass der Zündkerzenstecker einwandfrei auf der Zündkerze sitzt – ein lockerer Kerzenstecker kann Funkenbildung verursachen, der brennbare Dämpfe entzünden und einen Brand verursachen könnte.
- Überprüfen Sie den Zustand der Tragegurtriemen, und ersetzen Sie beschädigte oder abgenutzte Riemen.
- Stellen Sie den Schulterriemen auf Ihre Körpergröße ein, bevor Sie mit der Arbeit beginnen.

In einem Notfall können Sie aus dem Schulterriemen schlüpfen und die Maschine rasch abwerfen. Üben Sie das Herausschlüpfen aus dem Tragegurt mehrmals, bevor Sie die Maschine benutzen, um sich daran zu gewöhnen. Werfen Sie die Maschine nicht während der Übung ab, weil die Maschine dadurch beschädigt werden könnte.

- Wenn Sie den Startergriff ziehen, wickeln Sie das Starterseil nicht um Ihre Hand. Lassen Sie den Startergriff nicht zurückschnellen, sondern führen Sie das Starterseil langsam zurück, damit es korrekt aufgewickelt wird.

Eine Missachtung dieses Verfahrens kann zu einer Verletzung Ihrer Hand oder Finger und zu einer Beschädigung des Startermechanismus führen.

- Lassen Sie sich eventuell von einer anderen Person helfen, um das Sprüherät nach dem Starten auf Ihren Rücken zu setzen. Um die Gefahr von Verletzungen Ihres Helfers durch herausgeschleuderte Gegenstände, Chemikalienspray/ Flüssigkeit oder durch Kontakt mit heißen Abgasen zu verringern, halten Sie den Motor während dieser kurzen Zeit auf Leerlaufdrehzahl, und lassen Sie Ihren Helfer nicht im Bereich der Auslassdüse oder des Auspuffs stehen. Anderenfalls sollte das Sprüherät ohne Hilfe gestartet und betrieben werden.

- Starten Sie das Sprüherät nur gemäß den Anweisungen.
- Verwenden Sie kein anderes Verfahren zum Starten des Motors (7)!
- Verwenden Sie das Sprüherät und das mitgelieferte Zubehör nur für die angegebenen Anwendungen.

- Starten Sie den Sprüherätmotor erst, nachdem die Maschine vollständig zusammengebaut worden ist. Der Betrieb der Maschine ist nur zulässig, wenn alle vorgeschriebenen Zubehörteile montiert sind.

- Im Falle einer Motorstörung ist der Motor sofort abzustellen.
- Benutzen Sie das Sprüherät für einhändige Bedienung mit der rechten Hand am Steuergriff. Tragen Sie das Gerät wie einen Rucksack mit den Schulterriemen auf beiden Schultern.

Um die Gefahr eines Verlusts der Kontrolle zu verringern, tragen Sie das Sprüherät niemals mit den (dem) Riemen nur auf einer Schulter.

- Wenn Sie mit dem Sprüherät arbeiten, umschließen Sie den Handgriff immer fest mit Ihren Fingern, und halten Sie den Steuergriff zwischen Daumen und Zeigefinger. Halten Sie Ihre Hand in dieser Position, damit Sie Ihre Maschine jederzeit unter Kontrolle haben. Vergewissern Sie sich, dass Ihr Steuergriff in gutem Zustand und frei von Feuchtigkeit, Pech, Öl oder Fett ist.

- Achten Sie stets auf sicheren, ausgewogenen Stand.
- Um den Lösungstank aufrecht zu halten und die Gefahr von Verschütten zu verringern, beugen Sie nicht Ihre Hüfte. Beugen Sie nur Ihre Knie, und stützen Sie sich bei Bedarf ab, um einwandfreie Balance zu gewährleisten.

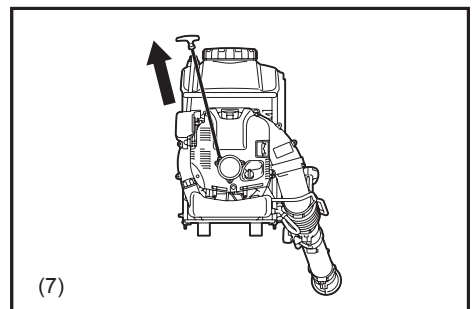
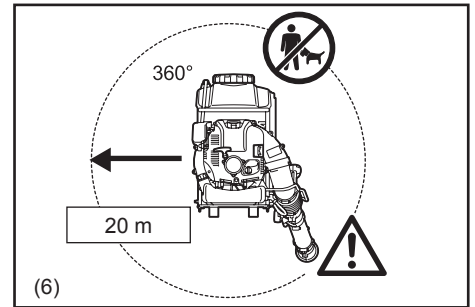
Denken Sie daran, dass ein mit Flüssigkeit gefülltes Sprüherät ein beträchtliches Gewicht hat.

Lassen Sie beim Beugen, Anlehnen oder Gehen besondere Vorsicht walten.

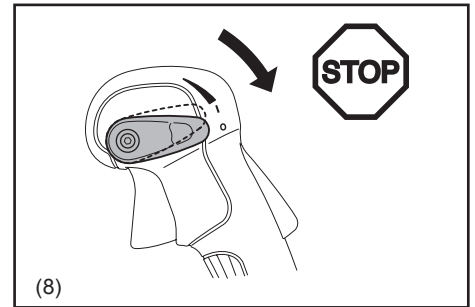
- Betreiben Sie das Sprüherät stets so, dass Sie keine Abgase einatmen. Lassen Sie den Motor niemals in geschlossenen Räumen laufen (Erstickungs- und Gasvergiftungsgefahr). Kohlenmonoxid ist ein geruchloses Gas.

Achten Sie stets auf ausreichende Belüftung.

- Ihr Sprüherät ist nicht gegen elektrischen Schlag isoliert. Um die Gefahr eines Stromschlags zu verringern, betreiben Sie dieses Sprüherät niemals in der Nähe von Drähten oder Kabeln (Strom usw.), die Strom führen können. Sprühen Sie nicht auf oder in der Nähe von elektrischen Installationen.

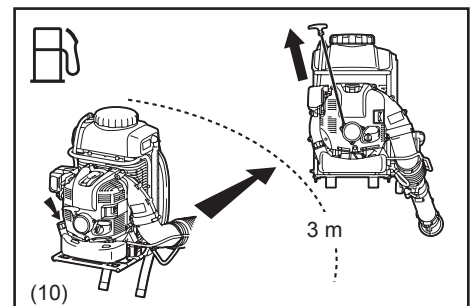
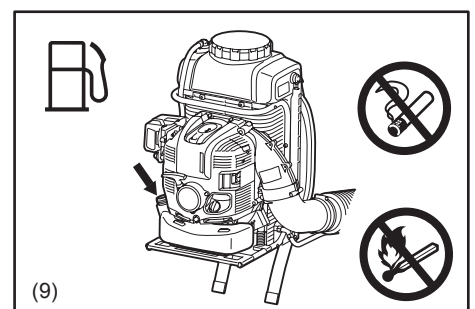


- Stellen Sie den Motor ab, wenn Sie sich ausruhen und das Sprühergerät unbeaufsichtigt lassen. Bewahren Sie das Gerät an einem sicheren Ort auf, um Gefahr für andere Personen, Entzündung von brennbaren Materialien oder Beschädigung der Maschine zu verhindern (8).
- Legen Sie das heiße Sprühergerät niemals auf trockenes Gras oder brennbare Materialien.
- Stellen Sie das Sprühergerät nicht auf den Boden, wenn es mit hoher Drehzahl läuft, weil kleine Gegenstände wie Sand, Gras, Staub usw. in den Lufteinlass gesaugt werden und das Gebläserad beschädigen könnten.
- Lassen Sie das Sprühergerät während einer Arbeitspause nicht in direktem Sonnenlicht oder in der Nähe einer Wärmequelle stehen.
- Alle mit der Maschine gelieferten Schutzteile und Schutzhauben müssen während des Betriebs benutzt werden.
- Betreiben Sie den Motor niemals mit schadhaftem Schalldämpfer.
- Stecken Sie Ihre Hand nicht in die Auslassöffnung. Der Schalldämpfer wird während des Betriebs sehr heiß und kann Verbrennungen verursachen.
- Berühren Sie die Motorabdeckung nicht für längere Zeit. Sie kann während des Betriebs heiß werden und Verbrennungen verursachen.
- Stellen Sie den Motor während des Transports ab (8).
- Bringen Sie das Sprühergerät während des Transports mit einem Auto oder Lastwagen in eine sichere Position, um Auslaufen von Kraftstoff zu vermeiden.
- Wenn Sie das Sprühergerät transportieren, vergewissern Sie sich, dass der Kraftstofftank und der Flüssigkeits-/Chemikalienbehälter vollkommen leer sind.



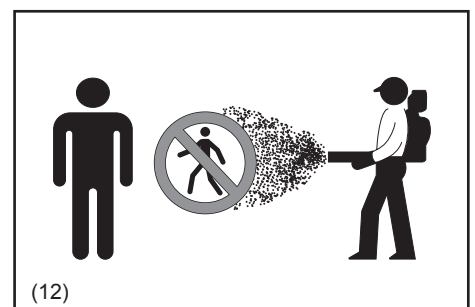
### Auftanken

- Stellen Sie zum Betanken stets den Motor ab (8), halten Sie offene Flammen fern (9), und rauchen Sie nicht.
- Vermeiden Sie Hautkontakt mit Erdölprodukten. Atmen Sie keine Kraftstoffdämpfe ein. Tragen Sie zum Auftanken immer Schutzhandschuhe. Die Schutzkleidung ist in regelmäßigen Abständen zu wechseln und zu reinigen.
- Achten Sie darauf, weder Kraftstoff noch Öl zu verschütten, um Bodenverschmutzung zu verhüten (Umweltschutz). Reinigen Sie das Sprühergerät sofort, nachdem Kraftstoff verschüttet worden ist. Lassen Sie nasse Tücher trocknen, bevor Sie sie in einem ordnungsgemäß abgedeckten Behälter entsorgen, um Selbstentzündung zu verhüten.
- Achten Sie darauf, dass kein Kraftstoff mit Ihrer Kleidung in Berührung kommt. Wechseln Sie Ihre Kleidung sofort, falls Kraftstoff darauf verschüttet worden ist (Brandgefahr).
- Überprüfen Sie den Kraftstofftankdeckel in regelmäßigen Abständen, um sicherzustellen, dass er fest verschlossen bleibt.
- Ziehen Sie die Sicherungsschraube des Kraftstofftanks sorgfältig fest. Wechseln Sie den Standort zum Starten des Motors (mindestens 3 m Abstand vom Betankungsort) (10).
- Betanken Sie die Maschine niemals in geschlossenen Räumen. Kraftstoffdämpfe sammeln sich in Bodennähe an (Explosionsgefahr).
- Transportieren und lagern Sie Kraftstoff nur in zugelassenen Behältern. Achten Sie darauf, dass gelagerter Kraftstoff für Kinder unzugänglich ist.
- Versuchen Sie nicht, einen heißen oder laufenden Motor zu betanken.



### Betriebsmethode

- Benutzen Sie das Sprühergerät nur bei guten Licht- und Sichtverhältnissen. Achten Sie während der kalten Jahreszeit auf schlüpfrige oder nasse Bereiche, Eis und Schnee (Rutschgefahr). Achten Sie stets auf sicheren Stand (11).
- Arbeiten Sie niemals auf instabilen Flächen oder in steilem Gelände (11).
- Wenn Sie die Gefahren, die mit der speziellen verwendeten Chemikalie verbunden sind, nicht kennen, lesen Sie den Chemikalienaufkleber und/oder das Material-Sicherheitsdatenblatt für die betreffende Substanz noch einmal durch, und/oder konsultieren Sie den Hersteller/Lieferanten des Materials. Sie können auch Ihren Arbeitgeber, zuständige Behörden und andere Quellen um Informationen über Gefahrenstoffe befragen. Einige andere Behörden haben z. B. Listen von Substanzen veröffentlicht, die erwiesenermaßen Krebs, Reproduktionstoxizität usw. verursachen (11).
- Um Verletzungsgefahr zu reduzieren, richten Sie den Luftstrahl nicht auf Umstehende, da der hohe Druck des Luftstrahls Augen verletzen und kleine Objekte mit hoher Geschwindigkeit hochschleudern kann (12).
- Richten Sie den Sprühstrahl niemals auf Menschen, Tiere oder Gegenstände, die durch das Sprühen verletzt bzw. beschädigt werden könnten (12).
- Führen Sie niemals irgendwelche Fremdkörper in den Lufteinlass der Maschine oder die Düse des Sprühergeräts ein. Dadurch wird das Gebläserad beschädigt, was schwere Verletzungen der Bedienungsperson oder von Umstehenden zur Folge haben kann, weil Fremdkörper oder Bruchstücke mit hoher Geschwindigkeit herausgeschleudert werden.
- Achten Sie auf die Windrichtung, d. h., arbeiten Sie nicht gegen den Wind.
- Um Stolpergefahr und Verlust der Kontrolle zu reduzieren, gehen Sie nicht rückwärts, während Sie die Maschine betreiben.
- Stellen Sie stets den Motor ab, bevor Sie das Gerät reinigen oder warten oder Teile austauschen.
- Machen Sie eine Pause, um durch Müdigkeit verursachten Verlust der Kontrolle zu verhüten. Wir empfehlen, jede Stunde eine Pause von 10 bis 20 Minuten einzulegen.

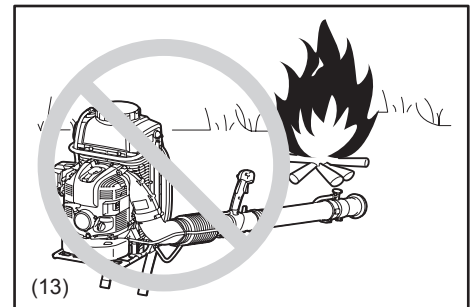


## Nach dem Beenden der Arbeit

- Waschen Sie sich nach dem Sprühen oder Handhaben von Chemikalien stets gründlich mit Wasser und Seife. Duschen Sie sich sofort, und waschen Sie alle Schutzkleidungsstücke getrennt von anderen Gegenständen.  
Befolgen Sie etwaige zusätzliche Empfehlungen des Chemikalienherstellers.  
Säubern Sie das Sprühgerät immer von Staub und Schmutz.
- Leeren, spülen und reinigen Sie den Lösungstank und die Einheit nach jedem Gebrauch. Dies verhindert Kristallisieren der Lösung, was später Verstopfung und Chemikalienbeschädigung der Einheit verursachen könnte. Außerdem können Chemikalienreste unerwünschte Effekte während des nachfolgenden Versprühens einer anderen Chemikalienart haben (z. B. Unkrautvernichtungsmittelreste können Pflanzen, die mit einem Schädlingsbekämpfungsmittel besprüht worden sind, beschädigen oder abtöten).  
Lagern Sie das Sprühgerät nicht, wenn sich noch Sprühlösung im Lösungstank befindet.
- Halten Sie Kinder, unbeteiligte Personen und Haustiere von Bereichen fern, die soeben besprüht worden sind.  
Nach der Verwendung von bestimmten Chemikalien, insbesondere von landwirtschaftlichen Schädlingsbekämpfungsmitteln, muss der behandelte Bereich mit einem Schild gekennzeichnet werden, dass ein „Zugangsbeschränkungsintervall“ (REI) in Kraft ist.  
Siehe den Chemikalienaufkleber und etwaige geltende behördliche Vorschriften.

## Wartungsvorschriften

- Führen Sie eine Reinigung und Wartung vor der Lagerung durch.
- Seien Sie freundlich zur Umwelt. Betreiben Sie das Sprühgerät mit möglichst wenig Lärmerzeugung und Verschmutzung. Überprüfen Sie insbesondere die korrekte Einstellung des Vergasers.
- Reinigen Sie das Sprühgerät in regelmäßigen Abständen, und stellen Sie sicher, dass alle Schrauben und Muttern einwandfrei festgezogen sind.
- Unterlassen Sie das Warten oder Lagern des Sprühgeräts in der Nähe von offenen Flammen, Funken usw. (13).
- Lagern Sie das Sprühgerät stets mit entleertem Kraftstofftank und Lösungstank in einem gut belüfteten und verschlossenen Raum.



**Beachten und befolgen Sie alle relevanten Unfallverhütungsvorschriften, die von den Arbeitgeberverbänden und Versicherungsgesellschaften herausgegeben wurden.**

**Nehmen Sie keine Abänderungen am Sprühgerät vor, weil dadurch Ihre Sicherheit gefährdet wird.**

Die Durchführung von Wartungs- oder Reparaturarbeiten durch den Benutzer beschränkt sich auf die in dieser Anleitung beschriebenen Arbeiten. Alle übrigen Arbeiten sind von einer Vertragswerkstatt durchzuführen.

Verwenden Sie nur Original-Ersatzteile und -Zubehörteile von DOLMAR.

Die Verwendung nicht zugelassener Zubehörteile und Maschinen stellt eine erhöhte Unfall- und Verletzungsgefahr dar. DOLMAR übernimmt keine Haftung für Unfälle oder Schäden, die durch den Gebrauch nicht zugelassener Vorrichtungen oder Zubehörteile verursacht werden.

## Erste Hilfe

Sorgen Sie dafür, dass bei einem Unfall ein gut bestückter Erste-Hilfe-Kasten in der Nähe des Arbeitsplatzes verfügbar ist. Dem Erste-Hilfe-Kasten entnommenes Material ist sofort wieder aufzufüllen.

Wenn Sie Hilfe anfordern, machen Sie bitte folgende Angaben:

- Unfallort
- Art des Unfalls
- Zahl der Verletzten
- Ausmaß der Verletzungen
- Ihr Name



## Verpackung

Das DOLMAR Sprühgerät wird in einem schützenden Karton geliefert, um Transportschäden zu verhüten. Kartonagen sind Rohstoffe und somit wieder verwendbar oder können dem Rohstoffkreislauf (Altpapier-Recycling) zugeführt werden.

## DIESE ANWEISUNGEN AUFBEWAHREN.

### ⚠️ WARNUNG:

- Lassen Sie sich NICHT durch Bequemlichkeit oder Vertrautheit mit dem Produkt (durch wiederholten Gebrauch erworben) von der strikten Einhaltung der Sicherheitsregeln für das vorliegende Produkt abhalten. MISSBRAUCH oder Missachtung der Sicherheitsvorschriften in dieser Anleitung können schwere Verletzungen verursachen.

Nur für europäische Länder

## EG-Konformitätserklärung

### Makita erklärt, dass die folgende(n) Maschine(n):

Bezeichnung der Maschine: Benzin-Sprühgerät

Modell-Nr./Typ: SP-7650.4 R

Technische Daten: siehe Tabelle „TECHNISCHE DATEN“

### Entspricht den folgenden europäischen Richtlinien:

2006/42/EG, 2000/14/EG

Sie werden gemäß den folgenden Standards oder standardisierten Dokumenten hergestellt:

EN ISO 28139, ISO 10988

Die technische Akte in Übereinstimmung mit 2006/42/EG ist erhältlich von:

Makita, Jan-Baptist Vinkstraat 2, 3070, Belgien

Das von der Richtlinie 2000/14/EG geforderte Konformitätsbewertungsverfahren war in Übereinstimmung mit Anhang V.

Gemessener Schalleistungspegel: 110,1 dB

Garantierter Schalleistungspegel: 111 dB

8.7.2014



Yasushi Fukaya

Geschäftsführer

Makita, Jan-Baptist Vinkstraat 2, 3070, Belgien

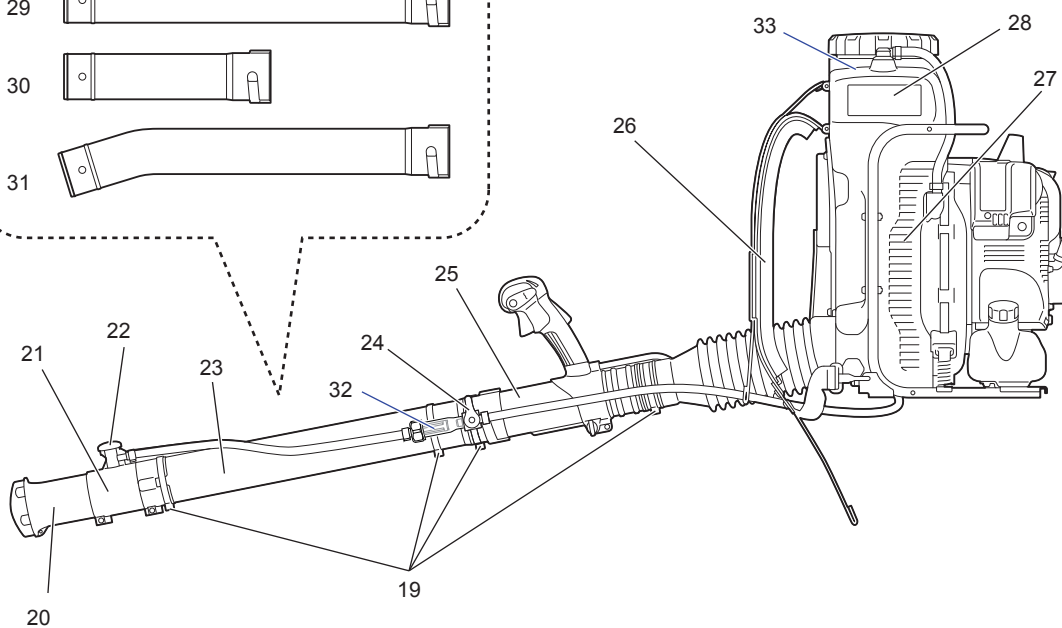
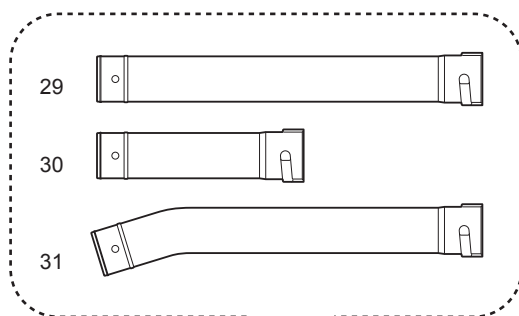
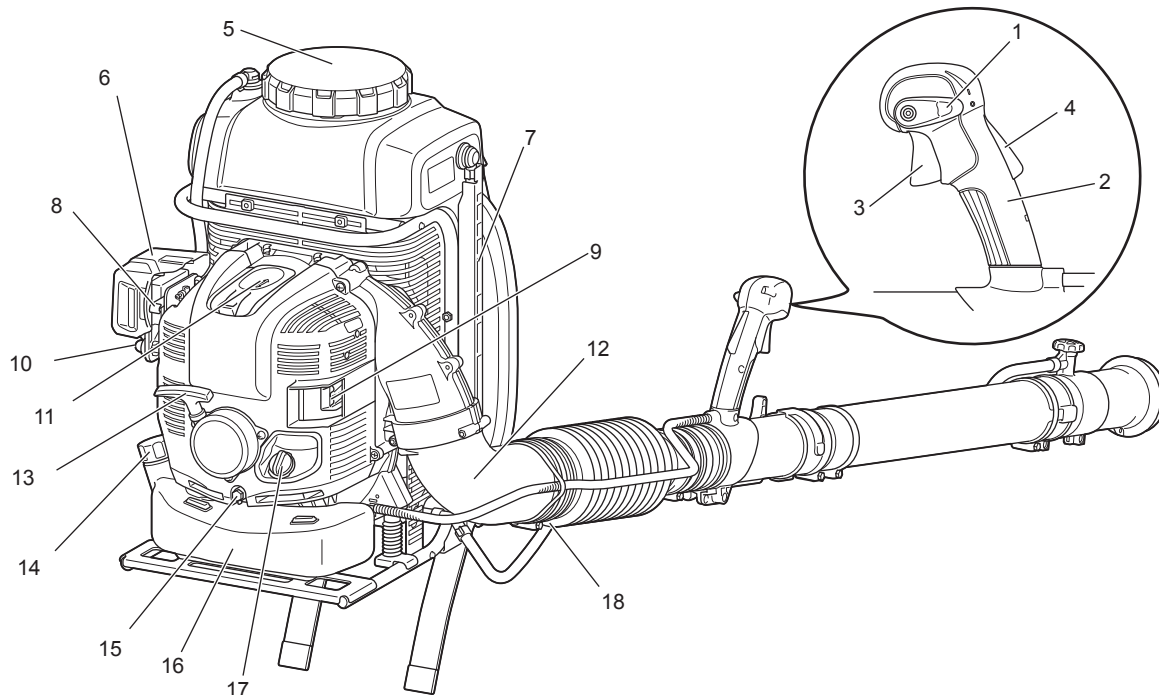
## TECHNISCHE DATEN

Modell		SP-7650.4 R	
Gewicht (mit vollem Kraftstofftank, Chemikalien tank und 220 ml Motoröl)	(kg)	30,4	
Gewicht (Trockengewicht)	(kg)	14,1	
Abmessungen (ohne Blasrohr, L x B x H)	(mm)	420 x 440 x 595	
Motor typ		Luftgekühlter Einzylinder-4-Takt-Motor	
Max. Motorleistung	(kW)	2,7	
Max. Motordrehzahl	(min <sup>-1</sup> )	7 400	
Leerlaufdrehzahl	(min <sup>-1</sup> )	2 800	
Hubraum	(cm <sup>3</sup> )	75,6	
Kraftstoff		Kraftfahrzeugbenzin	
Kraftstofftank-Inhalt	(L)	1,8	
Motoröl		Öl der API-Klasse SF oder höher, SAE 10W-30 (Kraftfahrzeug-4-Takt-Motoröl)	
Motorölmenge	(L)	0,22	
Vergaser (Membranvergaser)		WALBRO WYK	
Zündkerze		NGK CMR6A	
Elektrodenabstand	(mm)	0,7 – 0,8	
Lösungstank-Fassungsvermögen	(L)	15,0	
Sprühreichweite (Horizontal / Vertikal)	(m)	16 / 13	
Max. Luftstromgeschwindigkeit	(m/s)	85	
Luftdurchflussrate	(m <sup>3</sup> /min)	14,1	
Schwingungen nach ISO 22867	a <sub>hv eq</sub>	(m/s <sup>2</sup> )	2,7
	Ungewissheit K	(m/s <sup>2</sup> )	0,8
Durchschnittlicher Schalldruckpegel nach ISO 22868	L <sub>FA eq</sub>	dB (A)	95,4
	Ungewissheit K	dB (A)	2,9
Durchschnittlicher Schalleistungspegel nach ISO 22868	L <sub>WA eq</sub>	dB (A)	110,1
	Ungewissheit K	dB (A)	1,3

Hinweis:

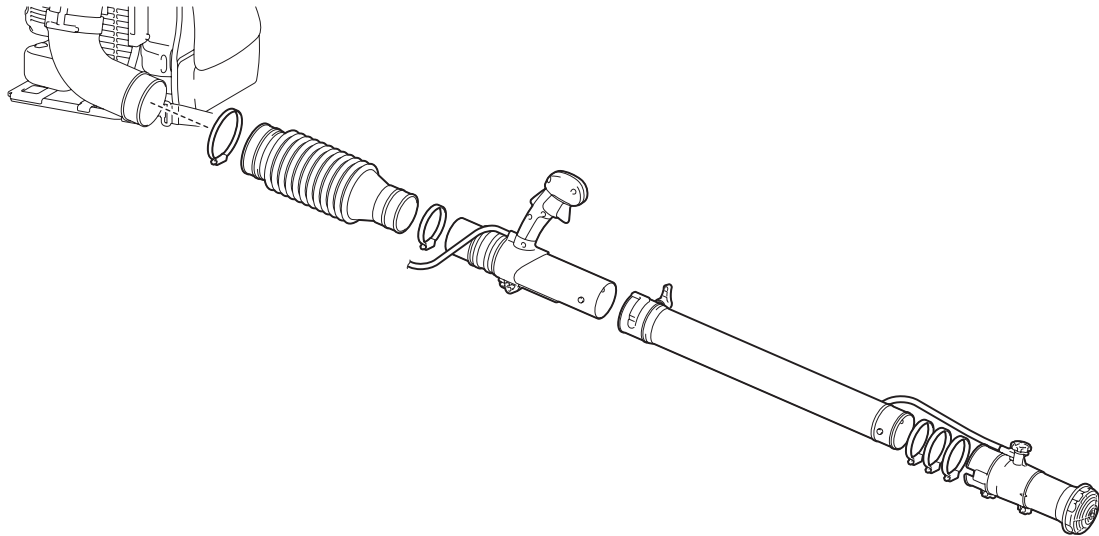
1. Verwenden Sie das (die) in der Tabelle vorgeschriebene Öl und Zündkerze.
2. Änderungen dieser Spezifikationen ohne vorherige Ankündigung vorbehalten.
3. Verwenden Sie die Pegellinie 10 L als Richtlinie für das Bruttogewicht von 25 kg des Sprühgeräts einschließlich der Lösung.
4. Vibrations- und Geräuschpegel werden bei Verwendung des geraden Rohrs (lang) gemessen.

## BEZEICHNUNG DER TEILE



1. Drehzahlsteuerhebel	12. Kniestück	23. Gerades Rohr
2. Steuergriff	13. Startergriff	24. Lösungsablasshebel
3. Gasabzug	14. Kraftstofftankdeckel	25. Schwenkrohr
4. Einschaltsperrhebel	15. Ölablassschraube	26. Schulterriemen
5. Lösungstankdeckel	16. Kraftstofftank	27. Lufteinlassnetz
6. Luftfilterabdeckung	17. Öldeckel	28. Lösungstank
7. Röhre für Lösungsstandkontrolle	18. Schlauchschelle (Durchmesser 100 mm)	29. Gerades Rohr (lang) (Sonderzubehör)
8. Chokehebel	19. Schlauchschelle (Durchmesser 76 mm)	30. Gerades Rohr (kurz) (Sonderzubehör)
9. Schalldämpfer	20. Primärdüse	31. Gebogenes Rohr (Sonderzubehör)
10. Anlasspumpe	21. Sekundärdüse	32. Sieb des Schlauchstutzens
11. Kerzenabdeckung	22. Flüssigkeitsdosierknopf	33. Sieb des Lösungstanks (im Lösungstank)

# MONTAGEANLEITUNG



## Zusammenbau der Sprührohre

### ⚠ VORSICHT:

- Bevor Sie irgendwelche Arbeiten am Sprühgerät durchführen, sollten Sie stets den Motor abstellen und den Zündkerzenstecker von der Zündkerze abziehen.
- Tragen Sie stets Schutzhandschuhe!
- Starten Sie das Sprühgerät erst, nachdem es vollständig zusammengebaut worden ist.
- Vergewissern Sie sich nach dem Zusammenbau, dass alle Schlauchschellen fest sitzen.

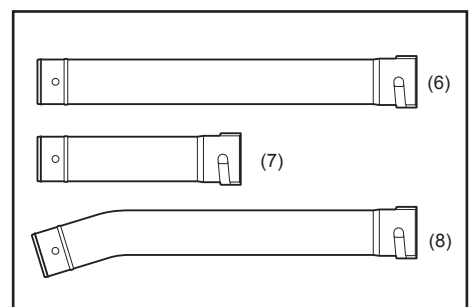
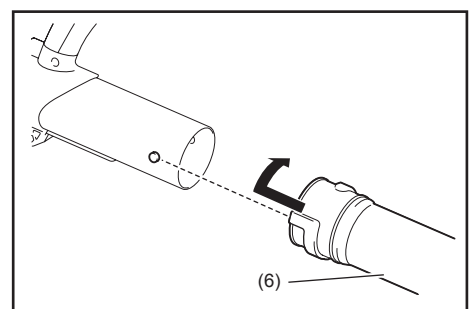
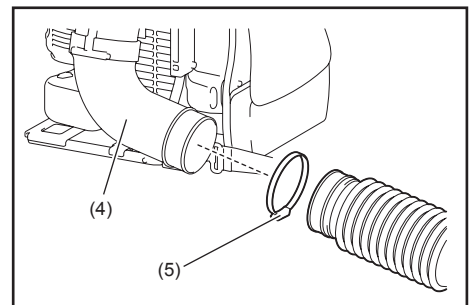
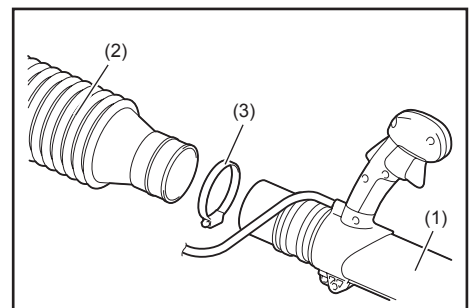
### HINWEIS:

- Achten Sie beim Anziehen der Schlauchschellen darauf, dass ihre Schraubenköpfe außen liegen, wie in der Abbildung gezeigt.

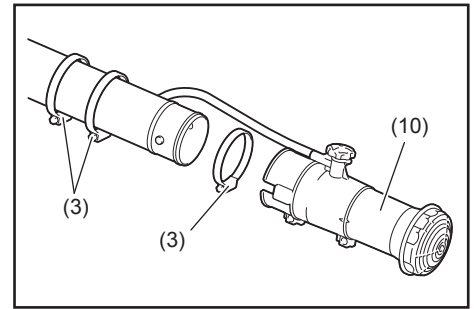
1. Verbinden Sie das Schwenkrohr (1) mit dem flexiblen Rohr (2).  
Ziehen Sie die Teile mit der 76-mm-Schelle (3) fest.
2. Verbinden Sie das flexible Rohr mit dem Kniestück (4) des Sprühgeräts.  
Ziehen Sie die Teile mit der 100-mm-Schelle (5) fest.
3. Verbinden Sie das gerade Rohr (6) mit dem Schwenkrohr (1).  
Richten Sie die Nut des geraden Rohrs auf den Vorsprung am Schwenkrohr aus, und drehen Sie das gerade Rohr, bis es einrastet. Ziehen Sie dann die Teile mit der 76-mm-Schelle (3) fest.

### HINWEIS:

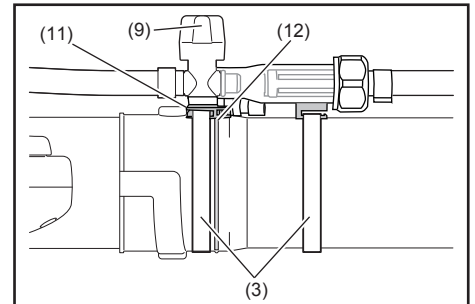
- Für das oben erwähnte gerade Rohr können die folgenden drei Rohre je nach Arbeitsbedarf verwendet werden.
    - Gerades Rohr (lang) (6)
    - Gerades Rohr (kurz) (7)
    - Gebogenes Endrohr (8)
- Nur eines oder eine Kombination der obigen Rohre wird als Standardausstattung mit Ihrem Sprühgerät geliefert. Diese kann von Land zu Land unterschiedlich sein. Die übrigen Rohrtypen müssen u. U. als Sonderzubehör besorgt werden.



4. Bringen Sie zwei der 76-mm-Schellen (3) provisorisch am Rohr an (mit diesen Schellen werden Lösungsablasshebel und Schlauchstutzen später befestigt).  
Bringen Sie die Sekundärdüse (10) am geraden Rohr an.  
Ziehen Sie die Teile mit einer weiteren 76-mm-Schelle (3) fest.



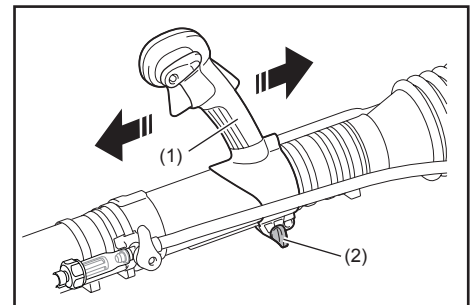
5. Bringen Sie den Lösungsablasshebel (9) am Rohr an.  
Achten Sie darauf, dass die offene Seite der Hebelbasis (11) zum Schwenkrohr gerichtet ist.  
Richten Sie die Hebelbasis auf den Spalt des Vorsprungs am geraden Rohr (12) aus.  
Ziehen Sie dann die Teile mit den 76-mm-Schellen (3) fest.



6. Stellen Sie sicher, dass alle Klemmen fest sitzen.

### Einstellen und Sichern des Steuergriffs

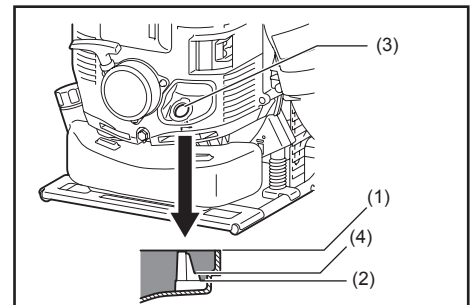
1. Tragen Sie die Maschine auf Ihrem Rücken, und stellen Sie den Schulterriemen ein (siehe „Einstellen des Schulterriemens“).
2. Verschieben Sie den Steuergriff (1) auf dem Rohr auf die komfortabelste Position.
3. Sichern Sie den Steuergriff durch Drehen des Knopfes (2).



## VOR DEM STARTEN DES MOTORS

### 1. Überprüfen und Nachfüllen von Motoröl

- 1) Führen Sie das folgende Verfahren durch, wenn das Motoröl kalt ist, d. h., wenn das Sprühgerät nicht in Betrieb war.
  - Überprüfung: Das Sprühgerät auf einer ebenen Fläche absetzen und den Öldeckel entfernen. Prüfen, ob sich der Ölstand zwischen der oberen (1) und unteren (2) Grenzmarkierung am Ölstandanzeiger (3) befindet. Falls der Ölstand nicht am 100-ml-Pegel (4) steht, neues Öl nachfüllen.
  - Nachfüllen von Öl: Das Sprühgerät auf einer ebenen Fläche absetzen und den Öldeckel entfernen. Das Öl bis zur oberen Grenzmarkierung des Ölstandanzeigers einfüllen.



- 2) Im Allgemeinen muss Motoröl nach jeweils 20 Betriebsstunden nachgefüllt werden. Dieses Intervall für jeden Ölwechsel entspricht ungefähr 10 bis 15 Betankungen des Sprühgeräts.
- 3) Wechseln Sie das Öl, sobald es schmutzig wird oder seine Farbe sich beträchtlich ändert. (Siehe S. 74 für das Verfahren und die Häufigkeit des Ölwechsels.)

Empfohlenes Öl: Original-DOLMAR-Öl oder SAE10W-30 Öl der API-Klasse SF oder besser (4-Takt-Motoröl für Kraftfahrzeuge)  
Ölmenge: Ungefähr 0,22 L (220 ml)



### **⚠ VORSICHT:**

- Falls das Sprühgerät nicht in aufrechter Stellung abgesetzt wird, kann Öl vom Ölstandanzeiger in den Motor fließen und beim Überprüfen des Ölstands eine falsche Anzeige liefern. Dies kann beim Nachfüllen zu versehentlichem Überfüllen von Motoröl führen. Stets in aufrechter Stellung lagern.
- Falls die obere Ölpegelgrenze überschritten wird, kann dies zu Verschmutzung des Öls und Erzeugung von weißem Rauch durch Verbrennen des überschüssigen Öls führen.

### **Prüfpunkt #1: Reinigen des Öldeckels beim Nachfüllen von Öl**

- Wischen Sie um die Öffnung abgelagerten Schmutz und Ruß ab, bevor Sie den Öldeckel entfernen.
- Entfernen Sie den Öldeckel, und legen Sie ihn auf eine saubere Fläche, damit kein Sand, Schmutz oder andere Fremdkörper an ihm haften bleiben. Solche Substanzen können am Deckel kleben bleiben und das Motoröl verunreinigen, wenn nicht mit ausreichender Sorgfalt vorgegangen wird. Mit Sand, Schmutz oder Fremdkörpern verunreinigtes Öl kann übermäßigen Verschleiß des Motors durch mangelnde Schmierung verursachen und zu einem Ausfall führen.

### **Prüfpunkt #2: Falls Öl beim Nachfüllen verschüttet wird**

- Ölspritzer auf der Außenseite des Sprühgeräts können zu einer Verschmutzung oder Verwässerung des Motoröls führen. Wischen Sie daher Ölspritzer vor dem Starten des Motors ab.

## **2. Kraftstoffzufuhr**

### **⚠ WARNUNG:**

- Beachten Sie beim Betanken des Gerätes die folgenden Anweisungen, um Entzündung oder Brand zu verhindern:
  - Das Auftanken muss an einem feuerfreien Ort erfolgen. Bringen Sie niemals Feuer (brennende Zigaretten usw.) in die Nähe des Auftankortes.
  - Den Motor vor dem Auftanken abstellen und abkühlen lassen.
  - Tanken Sie auf einer ebenen Fläche auf. Tanken Sie nicht an einem instabilen oder schlecht belüfteten Platz auf.
  - Tanken Sie bei guten Licht- und Sichtverhältnissen auf.
  - Tanken Sie an einem offenen, freien Ort auf.
  - Den Kraftstofftankdeckel bei vollem Tank langsam öffnen. Anderenfalls kann Kraftstoff durch den internen Druck herausspritzen.
  - Achten Sie darauf, keinen Kraftstoff zu verschütten. Verschütteter Kraftstoff muss aufgewischt werden.
  - Füllen Sie nicht mehr Kraftstoff als nötig ein.
  - Betanken Sie das Gerät an einem gut belüfteten Ort.
- Behandeln Sie Kraftstoff mit Sorgfalt.
  - Kraftstoff, der auf die Haut oder in die Augen gelangt, kann Allergien oder Hautreizungen verursachen. Falls Sie irgendwelche körperlichen Unregelmäßigkeiten feststellen, konsultieren Sie sofort einen Facharzt.

### **Lagerungsdauer von Kraftstoff**

Kraftstoff sollte innerhalb von 4 Wochen aufgebraucht werden, selbst wenn er in einem Spezialbehälter an einem gut belüfteten, schattigen Ort gelagert wird.

Falls kein Spezialbehälter verwendet wird oder der Behälter nicht abgedeckt ist, kann Kraftstoff an einem Tag verderben.

### **Lagerung der Maschine und des Nachfülltanks**

- Lagern Sie Maschine und Tank an einem kühlen Ort, der keinem direkten Sonnenlicht ausgesetzt ist.
- Bewahren Sie Kraftstoff niemals im Fahrgastraum oder Kofferraum auf.

### **Kraftstoff**

Bei diesem Motor handelt es sich um einen 4-Takt-Motor. Verwenden Sie unbedingt Kraftfahrzeugbenzin (Normalbenzin oder Super).

### **Bezüglich des Kraftstoffs zu beachtende Punkte**

- Verwenden Sie keinesfalls ein Benzin-Motoröl-Gemisch. Dies verursacht übermäßige Kohlenstoffablagerung oder mechanische Störungen.
- Die Verwendung von verdorbenem Kraftstoff verursacht Startschwierigkeiten.

Stellen Sie vor dem Auftanken unbedingt den Motor ab, und vergewissern Sie sich, dass er abgekühlt ist.

### **Auftankmethode**

- Den Tankdeckel ein wenig lösen, um den Druck auszugleichen.
- Den Tankdeckel abnehmen, dann auftanken. Dabei Luft entweichen lassen, indem der Kraftstofftank so geneigt wird, dass die Kraftstoffeinfüllöffnung oben liegt. (Kraftstoff niemals bis zum Einfüllstutzen nachfüllen.)
- Nach dem Auftanken den Tankdeckel sicher festziehen.
- Falls der Tankdeckel irgendeinen Mangel oder Schaden aufweist, ist er auszutauschen.
- Der Tankdeckel unterliegt Verschleiß. Tauschen Sie den Tankdeckel alle zwei bis drei Jahre aus.

# STARTEN UND STOPPEN DES MOTORS

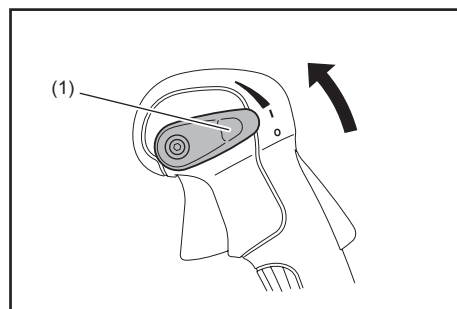
## 1. Starten

### ⚠ WARNUNG:

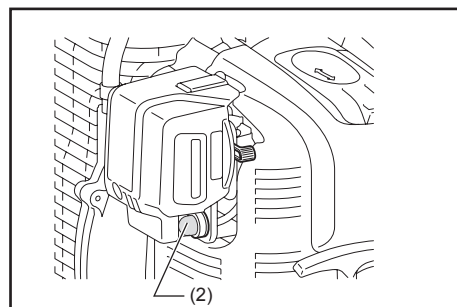
- Versuchen Sie niemals, den Motor am Auftankort zu starten. Beim Starten des Motors einen Abstand von mindestens 3 m einhalten.  
– Anderenfalls kann es zu Entzündung oder Brand kommen.
- Die Abgase des Motors sind giftig. Betreiben Sie den Motor nicht an einem schlecht belüfteten Ort, wie z. B. in einem Tunnel, Gebäude usw.  
– Der Betrieb des Motors an einem schlecht belüfteten Ort kann Vergiftung durch Abgase verursachen.
- Falls Sie irgendwelche Unregelmäßigkeiten im Motorgeräusch, im Geruch oder Vibrationen nach dem Start feststellen, stellen Sie sofort den Motor ab, und führen Sie eine Überprüfung durch.  
– Wird der Motor trotz solcher Unregelmäßigkeiten weiter betrieben, kann ein Unfall auftreten.
- Stellen Sie sicher, dass der Motor stehen bleibt, wenn der Drehzahlsteuerhebel auf die Position „O“ gestellt wird.
- Vergewissern Sie sich vor dem Starten der Maschine, dass der Lösungsablasshebel geschlossen ist.

### 1) Bei kaltem Motor oder nach dem Auftanken (Kaltstart):

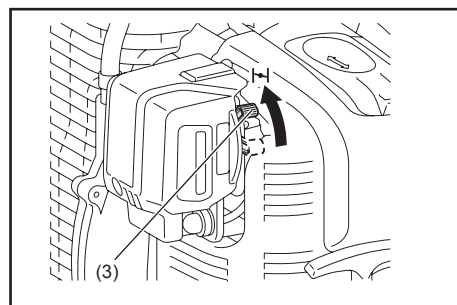
- (1) Diese Maschine auf einer ebenen Fläche abstellen.
- (2) Den Drehzahlsteuerhebel (1) auf die Position „I“ stellen.



- (3) Die Anlasspumpe (2) mehrmals betätigen, bis Kraftstoff in die Anlasspumpe einströmt.
  - Im Allgemeinen fließt Kraftstoff nach 7 bis 10 Betätigungen in den Vergaser.
  - Falls die Anlasspumpe zu oft betätigt wird, fließt überschüssiger Kraftstoff in den Kraftstofftank zurück.

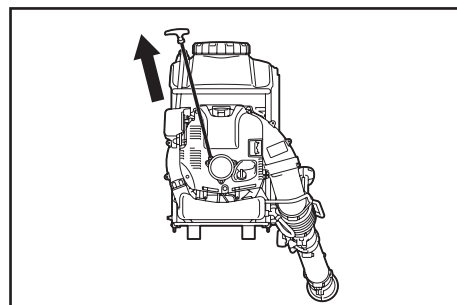


- (4) Den Chokehebel (3) anheben.



- (5) Die Luftfilterabdeckung mit der linken Hand halten, um den Motor am Bewegen zu hindern, und eine stabile Haltung annehmen.

- (6) Den Startergriff langsam ziehen, bis Kompression zu spüren ist. Dann kräftig ziehen. Es kann zwei bis vier Versuche erfordern, bis der Motor anspringt.
  - Ziehen Sie das Starterseil nicht vollständig heraus.
  - Führen Sie den Startergriff sanft in das Gehäuse zurück. Wenn Sie den Startergriff loslassen, kann er Ihren Körper treffen, oder das Starterseil wird möglicherweise nicht richtig aufgewickelt.

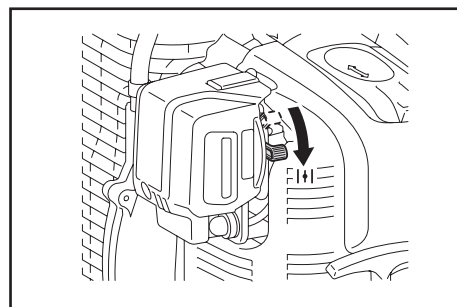


- (7) Wenn der Motor anspringt, den Chokehebel allmählich absenken, während der Motorbetrieb überprüft wird. Senken Sie den Chokehebel am Ende vollständig ab.

- Senken Sie den Chokehebel bei niedrigen Temperaturen oder abgekühltem Motor immer langsam ab. Anderenfalls kann der Motor stehen bleiben.

- (8) Den Steuergriff umfassen (der Einschaltsperrhebel wird durch das Umfassen gelöst), und den Gasabzug für Warmlaufbetrieb ziehen. Setzen Sie den Warmlaufbetrieb für 2 bis 3 Minuten fort.

- (9) Wenn sich der Motorlauf stabilisiert und der Motor sofort auf die Gashebelbetätigung anspricht (reibungslose Erhöhung der Drehzahl von niedrig auf hoch), ist der Warmlauf beendet.



#### HINWEIS:

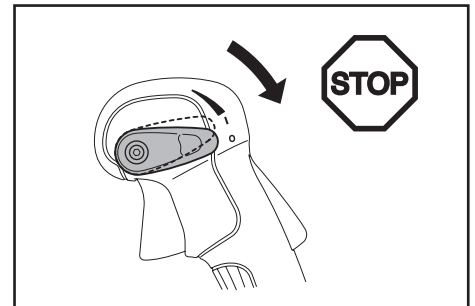
- Der Motor kann beschädigt werden, falls der Chochebel über die Stellung „CLOSE“ hinaus geschoben wird.
- Falls der Motor mit einem Knall stehen bleibt oder anspringt, aber vor der Betätigung des Chochebels stehen bleibt, stellen Sie den Hebel auf die Position „OPEN“ zurück, und ziehen Sie den Startergriff mehrmals, um den Motor wieder zu starten.
- Wird der Startergriff mehrmals gezogen, während der Chochebel in der Stellung „CLOSE“ belassen wird, kann der Motor wegen Überfettung schwer zu starten sein.
- Bei Überfettung die Zündkerze herausdrehen, und den Handgriff mehrmals schnell ziehen, um überschüssigen Kraftstoff auszustoßen. Die Zündkerzenelektrode abtrocknen.
- Falls die Drosselklappe trotz Einstellung des Gasabzugs auf Niederdrehzahl nicht zu der Position in Kontakt mit der Leerlauf-Einstellschraube zurückkehrt, den Seilzug-Erfassungszustand korrigieren, um einwandfreie Rückkehr der Drosselklappe zu gewährleisten.

#### 2) Bei warmem Motor (Warmstart)

- (1) Den Motor auf ebenen Boden stellen.
- (2) Die Anlasspumpe mehrmals drücken.
- (3) Sicherstellen, dass der Chochebel abgesenkt ist.
- (4) Die Luftfilterabdeckung mit der linken Hand halten, um den Motor am Bewegen zu hindern, und eine stabile Haltung annehmen.
- (5) Den Startergriff langsam ziehen, bis Kompression zu spüren ist. Dann kräftig ziehen.
- (6) Wenn der Motor schwer zu starten ist, die Drosselklappe um etwa 1/3 öffnen.

## 2. Abstellen

- 1) Den Gasabzug loslassen, um die Motordrehzahl zu verringern, und den Drehzahlsteuerhebel auf die Position „0“ stellen.



## EINSTELLEN DER LEERLAUFDREHZAH

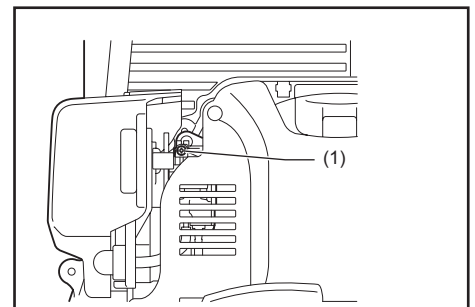
#### ⚠ GEFAHR:

- Die Einstellung des Vergasers wurde bereits vor dem Versand im Werk abgeschlossen. Bitte außer der Leerlaufeinstellung keine anderen Einstellungen vornehmen. Falls eine Einstellung notwendig wird, konsultieren Sie bitte Ihr autorisiertes Service-Center.

#### Überprüfen der Leerlaufdrehzahl

Stellen Sie die Leerlaufdrehzahl auf  $2\ 800\ \text{min}^{-1}$  ein.

- Sollte eine Änderung der Drehzahl notwendig sein, drehen Sie die Einstellschraube (1) mit einem Kreuzschlitzschraubendreher.
- Durch Drehen der Einstellschraube nach rechts wird die Motordrehzahl erhöht. Durch Drehen der Einstellschraube nach links wird die Motordrehzahl erniedrigt.



# BETRIEBSMETHODE

## Installieren des Siebs

Das Sprühgerät ist mit Sieben an der Lösungstanköffnung und am Rohreinlasskopf ausgestattet.

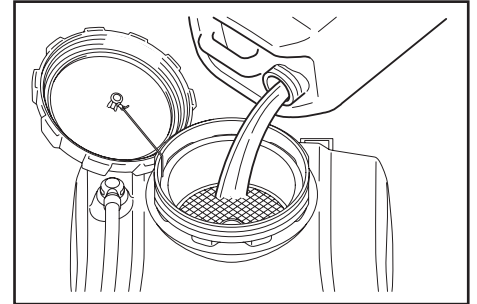
Stellen Sie stets sicher, dass das Sieb eingesetzt ist.

Das Sieb zum Einsetzen hineindrücken.

Das Sieb zum Entfernen herausdrücken.

### ⚠️ WARNUNG:

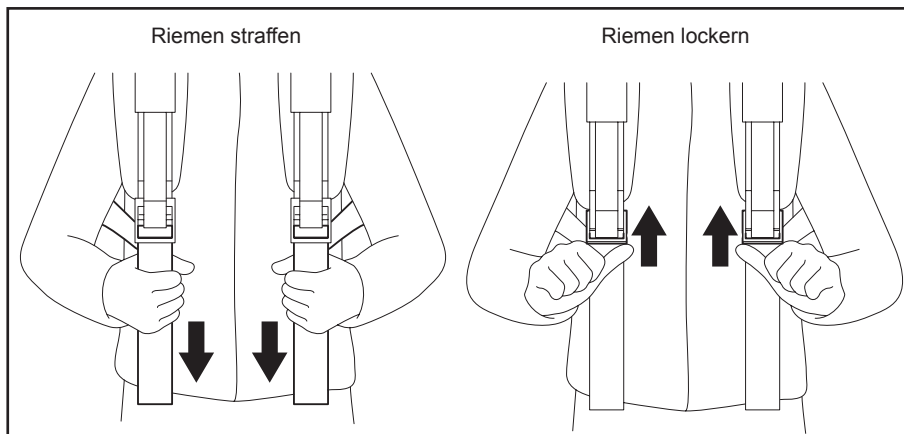
- Ziehen Sie den Tankdeckel fest an. Wird der Tankdeckel nicht festgezogen, kann es zu einem Lösungsleck, einer Druckminderung und dergleichen kommen.



## Einstellen des Schulterriemens

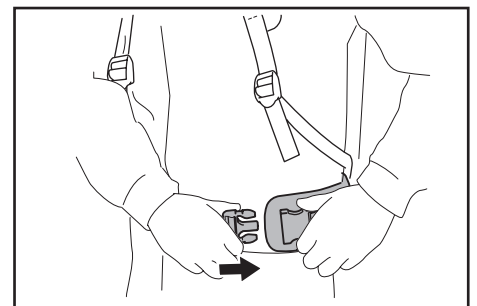
Stellen Sie den Schulterriemen auf eine Länge ein, die bequemes Arbeiten mit dem Sprühgerät ermöglicht.

Die Einstellung so vornehmen, wie in der Abbildung gezeigt.



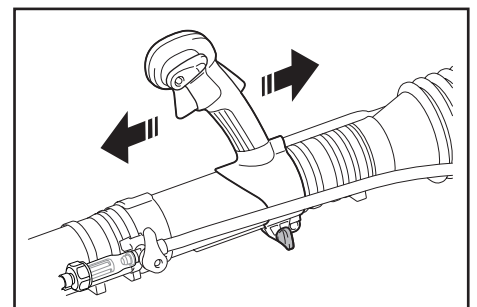
## Hüftgurt (Sonderzubehör)

Der Hüftgurt (Sonderzubehör) ermöglicht es dem Benutzer, das Gerät stabiler zu tragen.



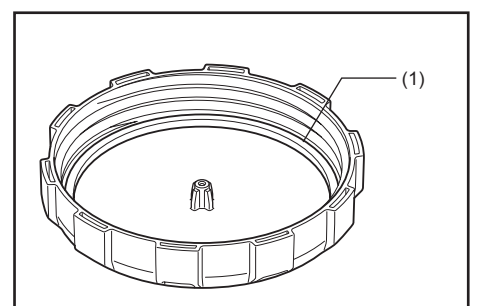
## Einstellen des Steuergriffs

Bewegen Sie den Steuergriff entlang dem Schwenkrohr auf die komfortabelste Position.

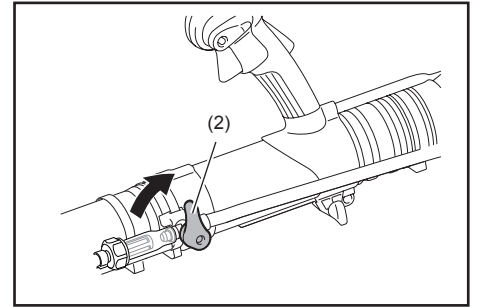


## Befüllen des Lösungstanks

1. Halten Sie die Dichtung (1) in gutem Zustand, mit Fett geschmiert und sauber.
2. Stellen Sie das Sprühgerät auf eine ebene Fläche.



3. Bevor Sie den Lösungstank füllen, schließen Sie unbedingt den Lösungsablasshebel (2).

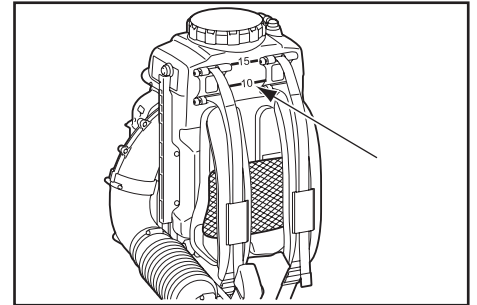


4. Der Lösungstank fasst 15 Liter Lösung.

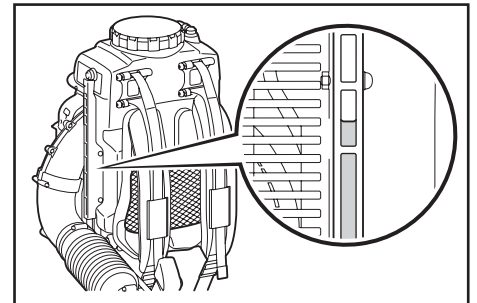
Bei vollem Tank beträgt das Gesamtgewicht einschließlich der Lösung fast 30 kg. Füllen Sie nur so viel Lösung ein, dass das Sprühgerät mit Lösung im Tank nicht zu schwer ist und die Bedienungsperson nicht überfordert wird.

Wenn 10 Liter Lösung eingefüllt werden (d. h. der Lösungsmittelstand steht an der 10-Liter-Markierung an der Seite des Tanks), beträgt das Gesamtgewicht des Produkts nahezu 25 kg.

Es wird empfohlen, dass das Gesamtgewicht der Maschine die folgenden Werte nicht überschreitet: 30 kg für Männer und 25 kg für Frauen.

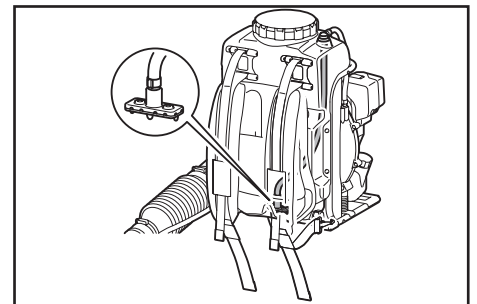


Verwenden Sie den Füllstandanzeiger (Röhre an der Seite des Sprühgeräts) als Richtlinie, um die Lösungsmenge im Lösungstank zu überprüfen.



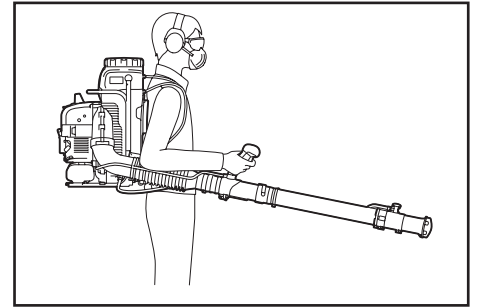
### Lösungsmischfunktion

Die Lösungsmischvorrichtung im Lösungstank gestattet es, die Lösung mit Luftblasen zu vermischen, die während des Sprühvorgangs von ihr abgegeben werden.



## Sprühgerätebetrieb

Um die Motordrehzahl zu erhöhen, umfassen Sie den Steuergriff (der Einschaltsperrhebel wird durch die Umfassung gelöst), und ziehen Sie den Gasabzug. Die Motordrehzahl wird durch Druck auf den Gasabzug gesteuert.



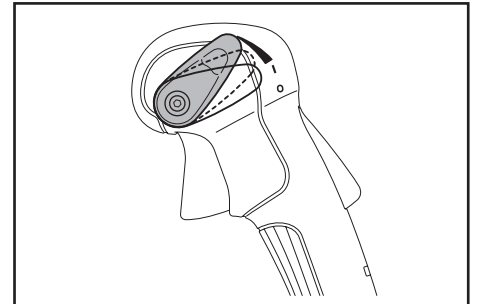
Die Position des Drehzahlsteuerhebels kann den Winkel des Gasabzugs einschränken.

Der Drehzahlsteuerhebel hat vier Positionen. „0“ (Motorstopp), „I“, und zwei Gasabzugswinkel-Begrenzungspositionen.

In der Position „I“ wird die Motordrehzahl nicht eingeschränkt (der Gasabzug kann vollständig gezogen werden).

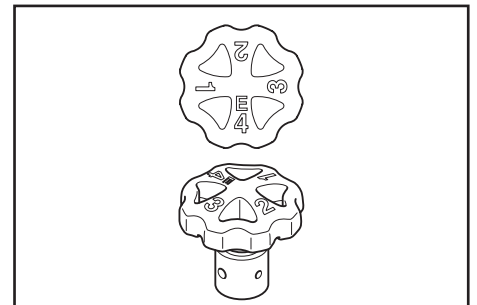
Der Gashebelwinkel wird ab der ersten Stufe über der Position „I“ eingeschränkt. Der Gashebel wird stärker eingeschränkt, wenn Sie den Drehzahlsteuerhebel eine weitere Stufe über die Position „I“ bewegen.

Stellen Sie die Motordrehzahl entsprechend dem Arbeitsplatz und den Bedingungen während des Betriebs ein.



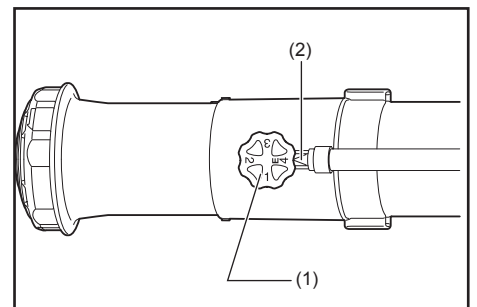
## Flüssigkeitsdosierknopf

Die Flüssigkeitsdosierknöpfe gestatten die Dosierung der Abgaberate über einen breiten Bereich.



### Einstellen der Abgaberate

Drehen Sie den Flüssigkeitsdosierknopf (1) an der Sekundärdüse, um die gewünschte Abgaberate zu erhalten, so dass die Nummer auf dem Flüssigkeitsdosierknopf auf die Dreiecksmarkierung (2) ausgerichtet ist.



### Abgaberate

Halten Sie das gerade Rohr zum Sprühen in einem Winkel von 0 Grad bis Minusgrad zur Horizontalen.

Knopfstellung	Abgaberate (L/min) (Mittelwert)
1	0,36
2	1,0
3	1,6
4	2,5

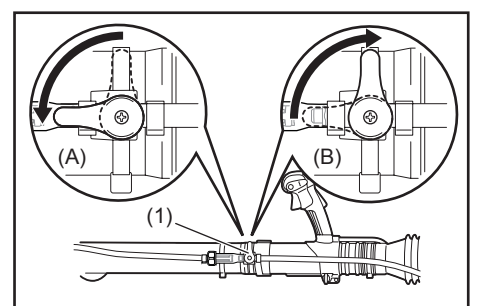
### HINWEIS:

- Verwenden Sie die Zahlen in der obigen Tabelle als Richtlinie für den Betrieb. Diese können sich entsprechend der Dichte der Chemikalienlösung im Lösungstank ändern.

## Lösungsablasshebel

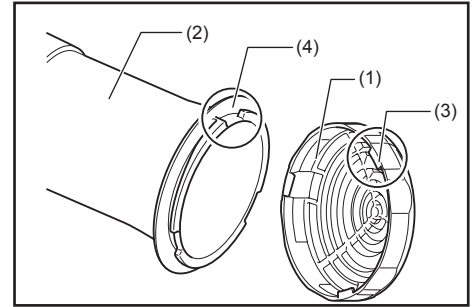
Um die Lösungszufuhr zu starten (A), drehen Sie den Lösungsablasshebel (1) horizontal zum Rohr.

Um die Lösungszufuhr zu stoppen (B), drehen Sie den Lösungsablasshebel vertikal zum Rohr.

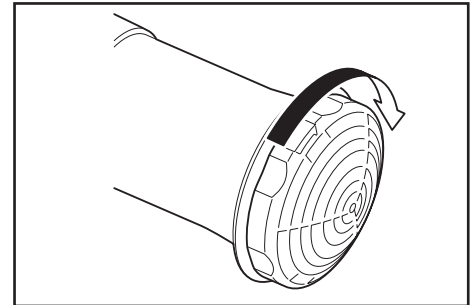


## Anbringen und Abnehmen des Sprühgitters

Das Sprühgitter (1) wird so an der Primärdüse (2) angebracht, dass sein Vorsprung (3) auf die Kerbe (4) in der Primärdüse ausgerichtet ist.



Sichern Sie das Sprühgitter, indem Sie es vollständig im Uhrzeigersinn drehen.



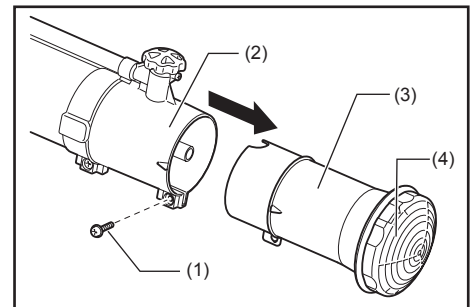
Zum Abnehmen des Sprühgitters ist das obige Verfahren umgekehrt anzuwenden.

## Auswechseln der Düse gegen eine ULV-Düse (Sonderzubehör)

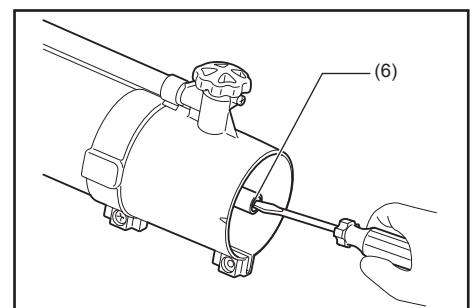
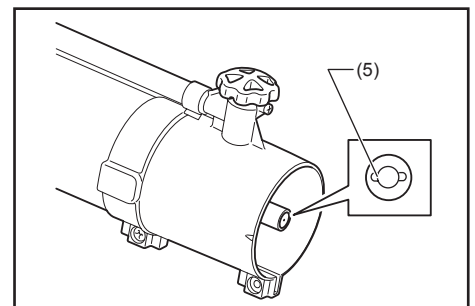
Wenn eine besonders geringe Ausbringungsmenge an Lösung versprüht werden muss, wechseln Sie die Düsenkappe gegen einen anderen Typ der mitgelieferten Düsenkappen mit kleiner Austrittsöffnung aus.

Wechseln Sie die Düse nach dem folgenden Verfahren aus.

1. Die Schraube (1) von der Sekundärdüse (2) entfernen, und dann Primärdüse (3) und Sprühgitter (4) abnehmen.



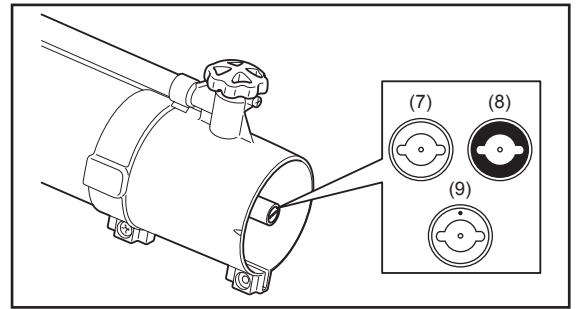
2. Einen Schlitzschraubendreher in den Schlitz (5) des Düsenkopfes einführen, und die Düsenkappe (6) entfernen, indem sie vollständig entgegen dem Uhrzeigersinn gedreht wird.



3. Eine andere mitgelieferte Düse mit kleinerer Austrittsöffnung anbringen.

**HINWEIS:**

- Wählen Sie die richtige Düse unter den folgenden beiden entsprechend der Art (Viskosität) der verwendeten Chemikalie aus.



Düsentyp	Viskosität der Chemikalie	Beispiel der Chemikalie	Abgaberate (L/min)*1
Aluminiumdüse (silberfarben) (7) *2	Hoch	MALATHION (Öl mischen.)	0,14
Messingdüse (goldfarben) (8) *2	Niedrig	Aqua K-Othrine (Wasser mischen.)	0,075
Messingdüse mit Schlagstempelmarkierung (goldfarben) (9) *2	Niedrig	Cipermetrinato (Wasser mischen.)	0,060

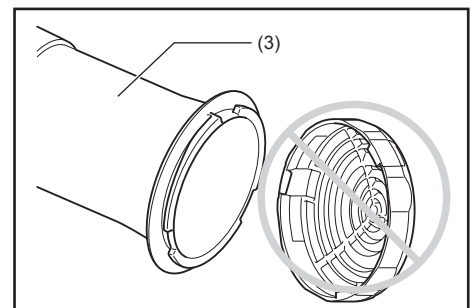
**Hinweis 1:** Die in der Tabelle angegebene Abgaberate gilt für Wasser und dient nur als Richtlinie. Die Rate hängt von den verwendeten Chemikalien ab.

**Hinweis 2:** Der Typ der im Lieferumfang des Sprühgeräts enthaltenen Düse(n) ist von Land zu Land unterschiedlich.

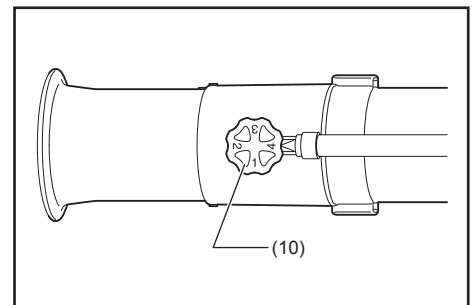
4. Die Primärdüse (3) anbringen und mit der Schraube (1) sichern.

**HINWEIS:**

- Wenn Sie eine der obigen ULV-Düsen verwenden, montieren Sie nicht das Sprühgitter (4), sondern bewahren Sie es auf, damit es nicht verloren geht.



5. Den Knopf (10) auf die Position 4 stellen.



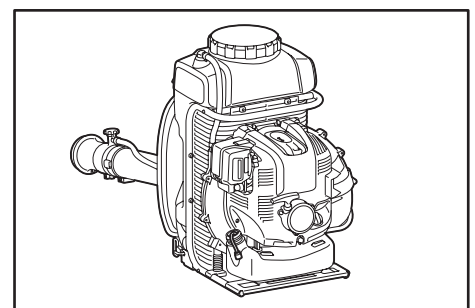
**TRANSPORTIEREN DES SPRÜHGERÄTS**

Bitte halten Sie das Sprühgerät bei Transport oder Lagerung in einer aufrechten Stellung.

Wird das Gerät nicht in aufrechter Stellung transportiert oder gelagert, kann Öl in den Motor des Sprühgeräts gelangen. Dies kann zu Öllecks und Erzeugung von weißem Rauch durch Ölverbrennung führen, und außerdem kann der Luftfilter mit Öl verschmutzt werden.

**⚠ GEFAHR:**

- Stellen Sie unbedingt den Motor ab, wenn Sie das Sprühgerät transportieren und lagern.





## Entleeren und Reinigen des Lösungstanks

### ⚠️ WARNUNG:

- Tragen Sie stets Gummihandschuhe oder chemikalienfeste Handschuhe, wenn Sie den Lösungstank reinigen und entleeren.

### Entleeren des Lösungstanks

### ⚠️ WARNUNG:

- Lassen Sie Chemikalien oder Spülwasser niemals durch Öffnen des Verschlusses am Boden des Lösungstanks ab.
- Vergewissern Sie sich vor und nach dem Ablassen, dass der Lösungsablasshebel geschlossen ist.
- Falls nach der Anwendung der in der Betriebsanleitung erwähnten Methode noch immer Chemikalienlösung im Lösungstank vorhanden ist, kippen Sie die Maschine zur Rohrseite, um die verbleibende Lösung restlos auszugießen.

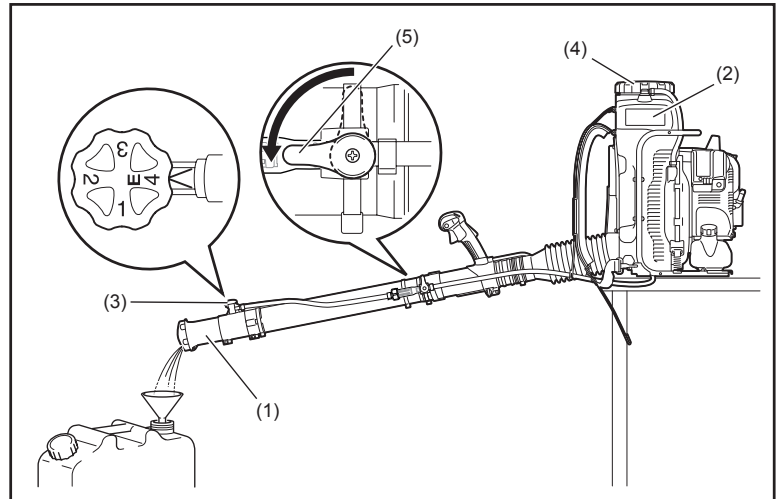
1. Das Sprühgerät auf eine stabile Fläche stellen. Die Düse (1) tiefer als der Boden des Lösungstanks (2) halten, und einen Auffangbehälter darunter stellen.

2. Den Knopf (3) auf die Position E stellen.

3. Den Lösungstankdeckel (4) geringfügig öffnen, um den Druck im Tank auszugleichen.

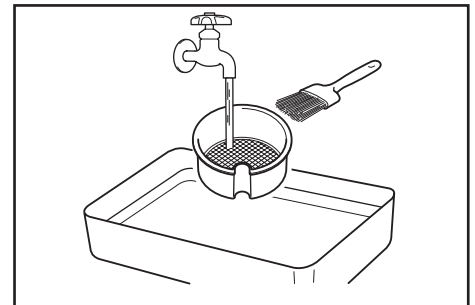
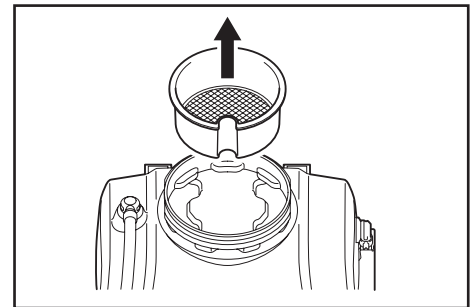
4. Den Lösungsablasshebel (5) öffnen. Die Chemikalienlösung tritt an der Düse aus.

5. Die Innenseite des Tanks mit Wasser reinigen.



### Reinigen des Lösungstanksiebs

Entfernen Sie den Tankdeckel, nehmen Sie das Sieb aus dem Tank heraus, und reinigen Sie es nach dem Gebrauch.

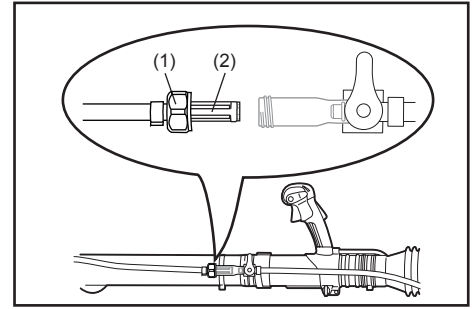


## Reinigen des Schlauchstutzens

### ⚠️ **WARNUNG:**

- Entfernen Sie Schlauchschelle, Leitung oder Kappe nicht bei offenem Lösungsablasshebel.
- Lösen Sie die Kappe nicht bei offenem Lösungsablasshebel.

1. Die Kappe (1), die mit dem Sieb (2) herauskommt, lösen und entfernen.
2. Staub und Partikel vom Sieb abwaschen.
3. Das Sieb wieder an seiner Ausgangsposition einsetzen. Die Kappe fest anziehen.



## ÜBERPRÜFUNG UND WARTUNG

### ⚠️ **GEFAHR:**

- Stellen Sie den Motor ab, und lassen Sie ihn abkühlen, bevor Sie Überprüfungs- und Wartungsarbeiten durchführen. Entfernen Sie auch den Kerzenstecker und die Zündkerze.
  - Falls der Versuch einer Überprüfung oder Wartung unmittelbar nach dem Abstellen des Motors oder bei angebrachtem Kerzenstecker unternommen wird, kann die Bedienungsperson Verbrennungen oder einen Unfall durch versehentliches Starten erleiden.
- Vergewissern Sie sich nach jeder Überprüfung und Wartung, dass alle Teile wieder eingebaut sind. Fahren Sie dann mit dem Betrieb fort.
- Tragen Sie stets Gummihandschuhe oder chemikalienfeste Handschuhe bei Inspektions- und Wartungsarbeiten.

### **BEMERKUNG:**

- Verwenden Sie auf keinen Fall Benzin, Waschbenzin, Verdünner, Alkohol oder dergleichen. Solche Mittel können Verfärbung, Verformung oder Rissbildung verursachen.

## Motorölwechsel

Verschlechtertes Motoröl verkürzt die Lebensdauer der gleitenden und rotierenden Teile erheblich. Überprüfen Sie die Zeitspanne und Menge des Wechsels.

### ⚠️ **GEFAHR:**

- Im Allgemeinen sind Motoreinheit und Motoröl unmittelbar nach dem Abstellen des Motors noch heiß. Vergewissern Sie sich beim Ölwechsel, dass Motoreinheit und Motoröl ausreichend abgekühlt sind. Anderenfalls besteht Verbrennungsgefahr. Außerdem kann es sein, dass unmittelbar nach dem Stehenbleiben des Motors nicht alles Öl in das Kurbelgehäuse zurückläuft. Überprüfen Sie den Ölstand nicht unmittelbar nach dem Stehenbleiben des Motors.
- Falls zu viel Öl eingefüllt wird, kann das Öl verschmutzt werden oder mit weißem Rauch verbrennen.

**Wechselintervall:** Anfänglich alle 20 Betriebsstunden, danach alle 50 Betriebsstunden.

**Empfohlenes Öl:** Öl der API-Klassifikation SAE 10W-30, Klasse SF oder höher (4-Takt-Motoröl für Kfz)

## Ölwechselverfahren

1. Das Sprühgerät auf eine ebene Fläche stellen.
2. Einen Altölbehälter unter die Ablassöffnung (1) stellen, um das auslaufende Öl aufzufangen. Der Behälter sollte ein Fassungsvermögen von mindestens 220 ml haben, um die gesamte Ölmenge aufzufangen.
3. Die Ölablassschraube (2) lösen, um das Öl abzulassen. Achten Sie darauf, dass kein Öl auf den Kraftstofftank oder andere Teile gelangt.

### ⚠️ **VORSICHT:**

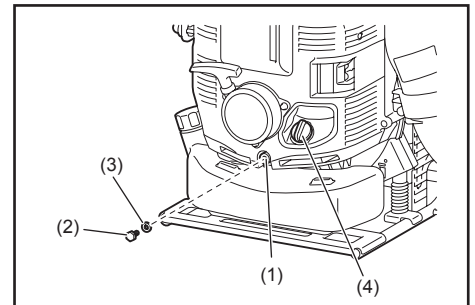
- Achten Sie darauf, dass die Dichtung (Aluminiumscheibe) (3) nicht verloren geht. Die Ölablassschraube (2) an einen Ort legen, wo sich kein Schmutz ansammeln kann.
4. Den Öldeckel (4) entfernen. (Durch Entfernen des Öldeckels (4) kann das Öl leichter auslaufen.)

### ⚠️ **VORSICHT:**

- Legen Sie den Öldeckel (4) an einen Ort, wo sich kein Schmutz ansammeln kann.
5. Wenn die auslaufende Ölmenge geringer wird, das Sprühgerät zur Seite der Ablassöffnung kippen, damit das Öl restlos ausläuft.
  6. Nachdem das Öl vollständig ausgelaufen ist, die Ölablassschraube (2) fest anziehen. Wird die Schraube nicht fest angezogen, kann es zu einem Ölleck kommen.

### ⚠️ **VORSICHT:**

- Vergessen Sie beim Wiedereindrehen der Ablassschraube nicht, die Dichtung (Aluminiumscheibe) (3) wieder anzubringen.
7. Das Einfüllen von Öl während des Ölwechselverfahrens erfolgt auf die gleiche Weise wie beim getrennt beschriebenen Verfahren zum Nachfüllen von Öl bei niedrigem Ölstand. Füllen Sie Öl stets durch die Öffnung unter dem Öldeckel ein. (Vorgeschriebener Ölstand: Ungefähr 220 ml)
  8. Nach dem Einfüllen des Öls den Öldeckel (4) festziehen, um Öllecks zu verhüten.



### Beim Motorölwechsel zu beachtende Punkte

- Schütten Sie Altöl niemals in den Müll, in den Boden oder in einen Abwassergraben. Die Entsorgung von Öl ist gesetzlich geregelt. Befolgen Sie bei der Entsorgung immer die einschlägigen Gesetze und Vorschriften. Bei Unklarheiten kontaktieren Sie eine Vertragswerkstatt.
- Öl verschlechtert sich, wenn es unbenutzt bleibt. Führen Sie Überprüfung und Wechsel in regelmäßigen Abständen durch (das Öl alle 6 Monate durch neues ersetzen).

### Reinigen des Luftfilters

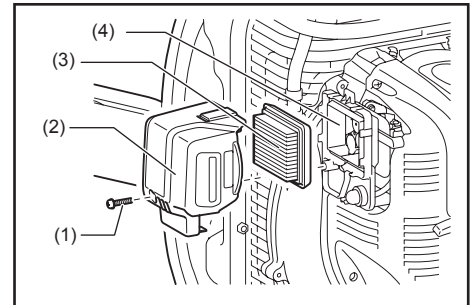
**⚠️ WARNUNG: ZÜNDSTOFFE STRENG VERBOTEN**

Reinigungs- und Überprüfungsintervall: Täglich (alle 10 Betriebsstunden)

1. Die Rändelschrauben (1) lösen.
2. Die Luftfilterabdeckung (2) entfernen.
3. Den Einsatz (3) herausnehmen, und Schmutz mit der Bürste entfernen.

#### HINWEIS:

- Der Einsatz ist ein Trockenelement, das nicht nass werden darf. Keinesfalls mit Wasser abwaschen.
4. Den Einsatz durch einen neuen ersetzen, wenn er beschädigt oder stark verschmutzt ist.
  5. Etwaiges Öl in der Ventilationsöffnung mit einem Lappen oder Tuch abwischen.
  6. Den Einsatz in das Luftfiltergehäuse (4) einsetzen.
  7. Die Luftfilterabdeckung anbringen, und die Rändelschrauben anziehen.



#### ⚠️ GEFAHR:

- Reinigen Sie den Einsatz mehrmals pro Tag, falls sich übermäßig viel Staub angesammelt hat.
- Wird der Betrieb fortgesetzt, wenn Öl am Einsatz haften bleibt, kann das Öl im Luftfilter nach außen gelangen und zu Ölverschmutzung führen.

### Überprüfen der Zündkerze

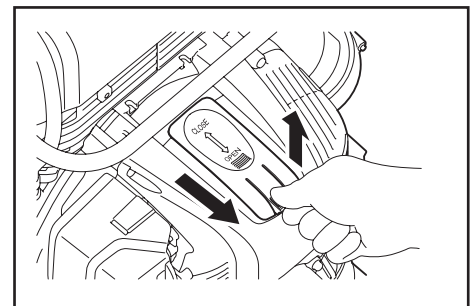
#### ⚠️ VORSICHT:

- Reinigen Sie zuerst die Zündkerze und den Zylinderkopf, bevor Sie die Zündkerze entfernen, damit kein Schmutz, Sand usw. in den Zylinder gelangt.
- Entfernen Sie die Zündkerze erst, nachdem der Motor abgekühlt ist, um eine Beschädigung der Gewindebohrung im Zylinder zu vermeiden.
- Die Zündkerze muss korrekt in die Gewindebohrung eingedreht werden. Wird sie schief eingedreht, führt das zu einer Beschädigung der Gewindebohrung im Zylinder.

#### 1. Öffnen/Schließen der Zündkerzenabdeckung

Um die Zündkerzenabdeckung zu öffnen, den Rand des Vorsprungs der Zündkerzenabdeckung hochziehen, und die Abdeckung in Richtung der Aufschrift „OPEN“ schieben, wie in der Abbildung rechts gezeigt.

Die Abdeckung zum Schließen in Richtung „CLOSE“ schieben, bis die Raste unter dem Vorsprung der Zündkerzenabdeckung auf der Motorabdeckung ruht. Zum Schluss den Vorsprung hineindrücken.



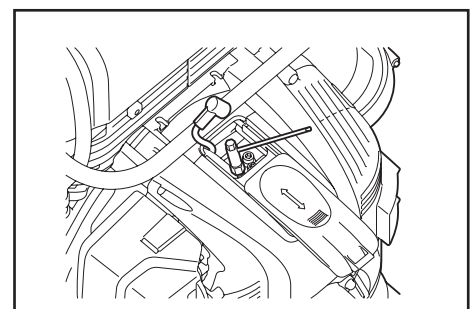
#### 2. Entfernen der Zündkerze

Die Zündkerze mit dem beigefügten Steckschlüssel heraus- und hineindrehen.

#### 3. Überprüfen der Zündkerze

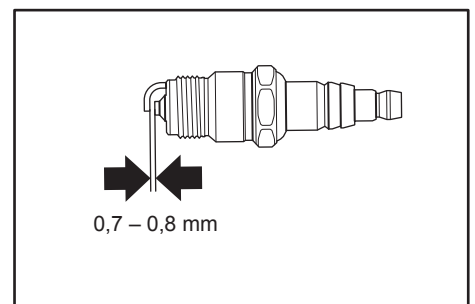
Der Abstand zwischen den beiden Zündkerzenelektroden (siehe die Abbildung) beträgt 0,7 bis 0,8 mm. Stellen Sie den Elektrodenabstand auf den korrekten Wert ein, wenn er zu groß oder zu klein ist.

Die Zündkerze gründlich reinigen oder austauschen, falls sich Kohlenstoff oder Schmutz angesammelt hat.



#### 4. Austauschen der Zündkerze

Verwenden Sie NGK-CMR6A als Ersatz.



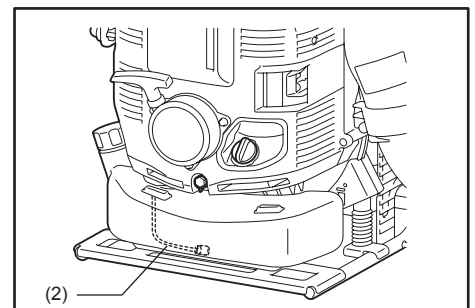
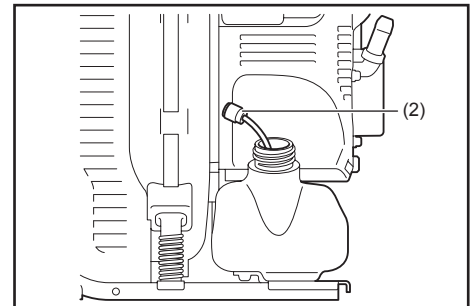
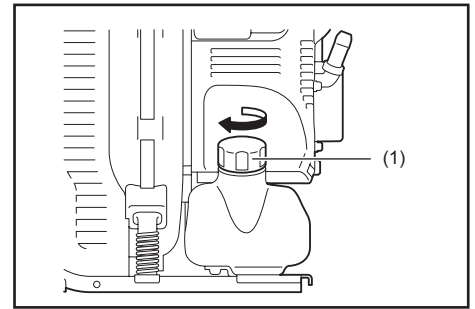
## Reinigen des Kraftstofffilters

- Ein verstopfter Kraftstofffilter kann Startschwierigkeiten verursachen oder eine Erhöhung der Motordrehzahl verhindern.
- Den Kraftstofffilter regelmäßig wie folgt überprüfen:

1. Den Kraftstofftankdeckel (1) entfernen, und den Kraftstoff ablassen, um den Tank zu entleeren. Die Innenseite des Tanks auf etwaige Fremdkörper überprüfen. Falls Fremdkörper vorhanden sind, muss der Tank sauber gewischt werden.
2. Den Kraftstofffilter (2) mit einem Draht durch die Kraftstoff-Einflöpfung herausziehen.
3. Falls die Oberfläche des Kraftstofffilters verschmutzt ist, mit Benzin reinigen. Verschmutztes Benzin muss nach dem von der zuständigen örtlichen Behörde vorgeschriebenen Verfahren entsorgt werden. Ein stark verschmutzter Filter muss ausgetauscht werden.
4. Den Kraftstofffilter wieder in den Kraftstofftank einsetzen, und den Kraftstofftankdeckel fest anziehen.

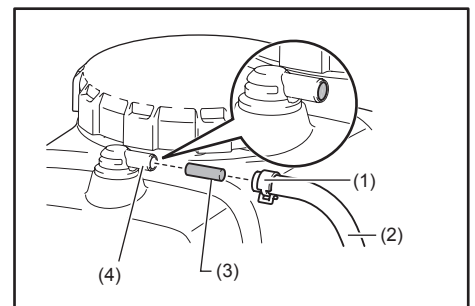
### HINWEIS:

- Setzen Sie den Kraftstofffilter wieder an seiner ursprünglichen Position in den Tank ein, wie in der Abbildung gezeigt. Für ein Ersatzteil wenden Sie sich an Ihr autorisiertes Service-Center.



## Reinigen des Filtereinsatzes im Anschlussstutzen

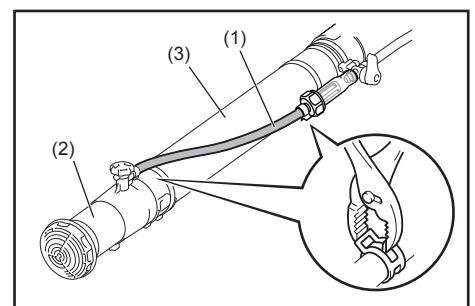
1. Schlauchschelle (1) und Schlauch (2) entfernen.
2. Den Einsatz (3) herausziehen, und etwaigen Schmutz mit einer Bürste entfernen. Falls es schwierig ist, den Einsatz zu entfernen, ziehen Sie ihn mit einem schmalen Stock heraus.
3. Ersetzen Sie den Einsatz durch einen neuen, wenn er beschädigt oder stark verschmutzt ist.
4. Den Einsatz in den Anschlussstutzen (4) hineindrücken, bis sein Ende mit dem Stutzenende bündig ist.
5. Den Schlauch anschließen und mit einer Schlauchschelle sichern.



## Austauschen des Lösungsschlauchs

- Überprüfen Sie den Lösungsschlauch (1) öfters. Ein beschädigter Schlauch kann zu Auslaufen von Chemikalienlösung führen. Tauschen Sie den Schlauch bei Bedarf wie folgt aus.

1. Die Düse (2) vom Rohr (3) entfernen.
2. Die Schlauchschelle lösen, und dann den alten Schlauch durch einen neuen ersetzen.



## Überprüfung von Bolzen, Muttern und Schrauben

- Lockere Schrauben, Muttern usw. nachziehen.
- Auf Kraftstoff- und Öllecks überprüfen.
- Beschädigte Teile für sicheren Betrieb durch neue ersetzen.

## Austausch von Dichtungen und Packungen

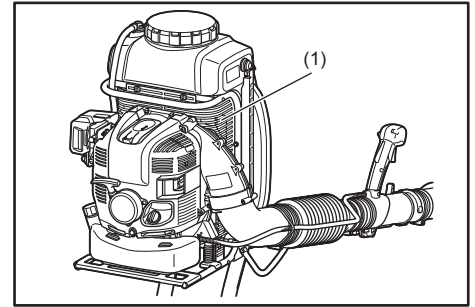
Tauschen Sie die Dichtungen und Packungen beim Wiedereinbau nach dem Ausbau des Motors gegen Neuteile aus.

## Reinigung von Teilen

- Halten Sie den Motor stets sauber.
- Halten Sie die Zylinderlamellen von Staub oder Schmutz frei. An den Lamellen haftender Staub oder Schmutz verursacht Festfressen.
- Die Blasluft wird durch das Lufteinlassnetz (1) angesaugt. Wenn der Luftstrom während des Betriebs nachlässt, stellen Sie den Motor ab, und überprüfen Sie das Lufteinlassnetz auf Blockierung durch Hindernisse.
- Beachten Sie, dass Nichtentfernen solcher Hindernisse zu Überhitzung und Beschädigung des Motors führen kann.

### ⚠ **WARNUNG:**

- Benutzen Sie das Sprühgerät keinesfalls ohne das Netz. Stellen Sie vor jeder Benutzung sicher, dass das Netz angebracht und unbeschädigt ist.



Wartungs- oder Einstellarbeiten, die nicht in dieser Anleitung enthalten und beschrieben sind, dürfen nur von einer autorisierten Kundendienststelle durchgeführt werden.

## LAGERUNG

### Ablassen des Kraftstoffs

#### ⚠ **WARNUNG:**

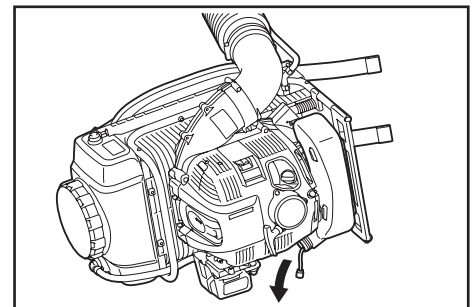
- Vor dem Ablassen von Kraftstoff unbedingt den Motor abstellen und sicherstellen, dass er abgekühlt ist.  
– Der Motor kann unmittelbar nach dem Abstellen noch heiß sein und möglicherweise Verbrennungen, Entzündung und Brand verursachen.

#### ⚠ **VORSICHT:**

- Soll die Maschine längere Zeit stillgelegt werden, den Kraftstoff restlos von Kraftstofftank und Vergaser ablassen, und die Maschine an einem trockenen und sauberen Ort aufbewahren.

Kraftstoff nach dem folgenden Verfahren von Tank und Vergaser ablassen:

- 1) Den Kraftstofftankdeckel entfernen, und den Kraftstoff vollständig ablassen. Etwaige im Kraftstofftank zurückbleibende Fremdkörper sind vollständig zu entfernen.
- 2) Den Kraftstofffilter mit einem Draht aus der Nachfüllöffnung herausziehen.
- 3) Die Anlasspumpe drücken, bis Kraftstoff von ihr ausläuft, und den in den Kraftstofftank fließenden Kraftstoff ablassen.
- 4) Den Kraftstofffilter wieder in den Kraftstofftank einsetzen, und den Kraftstofftankdeckel fest anziehen.
- 5) Dann den Motor laufen lassen, bis er stehen bleibt.
- 6) Die Zündkerze entfernen, und mehrere Tropfen Motoröl durch die Zündkerzenbohrung tröpfeln lassen.
- 7) Den Startergriff sachte ziehen, so dass sich das Motoröl im Motor verteilt, und die Zündkerze wieder eindrehen.
- 8) Die Maschine während der Lagerung aufrecht halten.
- 9) Den abgelassenen Kraftstoff in einem Spezialbehälter an einem gut belüfteten und schattigen Ort lagern.



### Entleeren des Lösungstanks

#### ⚠ **WARNUNG:**

- Stellen Sie vor dem Entleeren des Lösungstanks unbedingt den Motor ab, und vergewissern Sie sich, dass der Motor abgekühlt ist.  
– Der Motor kann unmittelbar nach dem Abstellen noch heiß sein und möglicherweise Verbrennungen, Entzündung und Brand verursachen.

Bevor Sie das Sprühgerät lagern, entleeren Sie den Lösungstank gemäß den Angaben im Abschnitt „Entleeren und Reinigen des Lösungstanks“.

### Reinigen des Siebs im Oberteil des Lösungstanks

Reinigen Sie stets das Sieb im Oberteil des Lösungstanks, bevor Sie das Sprühgerät lagern. Angaben zum Reinigen des Siebs finden Sie im Abschnitt „Entleeren und Reinigen des Lösungstanks“.

### Reinigen des Siebs im Schlauchstutzen

Reinigen Sie stets das Sieb im Schlauchstutzen, bevor Sie das Sprühgerät lagern. Angaben zum Reinigen des Siebs finden Sie im Abschnitt „Entleeren und Reinigen des Lösungstanks“.

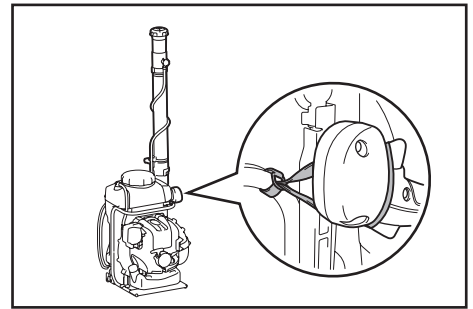
#### ⚠ **VORSICHT:**

- Stellen Sie unbedingt den Motor ab, bevor Sie das Sprühgerät lagern.

## Sichern des geraden Rohrs mit einer mitgelieferten Handschlaufe

Wenn Sie das Sprühgerät lagern, sichern Sie das gerade Rohr mit einer mitgelieferten Handschlaufe am Rahmen.

Durch Sichern des Rohrs in dieser Stellung lässt sich das Gerät leichter transportieren.



## Wartungsintervall

Gegenstand	Betriebsdauer								Abstellen/ Ruhens lassen	Entsprechende Seite
		Vor dem Betrieb	Nach der Schmierung	Täglich (10 Std.)	30 Std.	50 Std.	200 Std.			
Motoröl	Überprüfen	○							64	
	Wechseln					○*1			74	
Befestigungsteile (Schraube, Mutter)	Überprüfen	○							76	
Sieb des Lösungstanks	Überprüfen	○							73	
	Reinigen			○					73	
Sieb des Schlauchstutzens	Überprüfen	○							74	
	Reinigen			○					74	
Kraftstofftank	Reinigen/ Überprüfen	○							—	
	Kraftstoff ablassen							○*3	77	
Gasabzug	Funktion überprüfen		○						—	
Drehzahlsteuerhebel	Funktion überprüfen		○						67	
Leerlaufdrehzahl	Überprüfen/ Einstellen			○					67	
Luftfilter	Reinigen			○					75	
Zündkerze	Überprüfen			○					75	
Kühlluftkanal	Reinigen/ Überprüfen			○					77	
Kraftstoffleitung	Überprüfen			○					76	
	Wechseln						◎*2		—	
Kraftstofffilter	Reinigen/ Austauschen					○			76	
Abstand zwischen Lufteinlassventil und Luftauslassventil	Einstellen						◎*2		—	
Ölleitung	Überprüfen						◎*2		—	
Motorüberholung							◎*2		—	
Vergaser	Kraftstoff ablassen							○*3	77	

\*1 Ersten Austausch nach 20 Betriebsstunden durchführen.

\*2 Für die Überprüfung nach 200 Betriebsstunden ein autorisiertes Service-Center oder einen Mechaniker beauftragen.

\*3 Den Motor nach dem Entleeren des Kraftstofftanks weiter laufen lassen, und den Kraftstoff im Vergaser ablassen.

## FEHLERSUCHE

Bevor Sie eine Reparatur anfordern, versuchen Sie zunächst, die Störungsursache selber ausfindig zu machen. Falls Sie eine Unregelmäßigkeit feststellen, kontrollieren Sie Ihre Maschine anhand der Beschreibung in diesem Handbuch. Nehmen Sie keine eigenmächtige Änderung oder Demontage an irgendwelchen Teilen entgegen der Beschreibung in diesem Handbuch vor. Wenden Sie sich für Reparaturen an eine Vertragswerkstatt oder einen örtlichen Händler.

Zustand der Unregelmäßigkeit	Wahrscheinliche Ursache (Funktionsstörung)	Abhilfemaßnahme
Der Motor springt nicht an.	Der I-O-Schalter steht auf STOP.	Den I-O-Schalter auf START stellen.
	Anlasspumpe nicht betätigt.	7- bis 10-mal drücken.
	Starterseil wird zu langsam gezogen.	Kräftig ziehen.
	Kraftstoffmangel.	Kraftstoff zuführen.
	Falsche Chokeposition.	Auf „CLOSE“ stellen (Kaltstart). Auf „OPEN“ stellen (Warmstart).
	Zugesetzter Kraftstofffilter.	Reinigen.
	Verbogene oder blockierte Kraftstoffleitung.	Kraftstoffleitung geraderichten oder austauschen.
	Überalterter Kraftstoff.	Überalterter Kraftstoff erschwert das Anlassen. Durch neuen ersetzen. (Empfohlener Austausch: 1 Monat)
	Übermäßige Kraftstoffansaugung.	Den Gashebel von mittlerer auf hohe Drehzahl einstellen, und den Startergriff ziehen, bis der Motor anspringt. Falls der Motor nicht anspringt, die Zündkerze entfernen, die Elektroden abtrocknen, und die Teile wieder an ihrem ursprünglichen Platz einbauen. Dann vorschriftsmäßig starten.
	Zündkerzenstecker gelöst.	Einwandfrei anbringen.
	Verschmutzte Zündkerze.	Reinigen.
	Anormaler Elektrodenabstand.	Elektrodenabstand einstellen.
	Abnormalität der Zündkerze.	Austauschen.
	Abnormaler Vergaser.	Inspektion und Wartung anfordern.
Starterseil kann nicht gezogen werden, oder keine Kompression spürbar.	Inspektion und Wartung anfordern.	
Abnormales Antriebssystem/elektrisches System. (I-O-Schalter defekt, Verdrahtung defekt, Steckverbinder defekt usw.).	Inspektion und Wartung anfordern.	
Der Motor bleibt sofort wieder stehen. Die Motordrehzahl nimmt nicht zu.	Unzureichender Warmlauf.	Warmlaufbetrieb durchführen.
	Der Chokehebel wird auf „CLOSE“ gestellt, obwohl der Motor warmgelaufen ist.	Auf „OPEN“ stellen.
	Niedrige Leerlaufdrehzahl.	Leerlaufdrehzahl einstellen.
	Zugesetzter Kraftstofffilter.	Reinigen.
	Verschmutzter oder zugesetzter Luftfilter.	Reinigen.
	Anormaler Vergaser.	Inspektion und Wartung anfordern.
	Abgasschalldämpfer defekt (zugesetzt usw.).	Inspektion und Wartung anfordern.
	Abnormales Antriebs-/Elektriksystem.	Inspektion und Wartung anfordern.
	Gelöster Gaszug.	Einwandfrei anbringen.
Der Motor bleibt nicht stehen. ↓ Den Motor im Leerlauf betreiben, und den Chokehebel auf „CLOSE“ stellen.	Abgetrennter Steckverbinder.	Einwandfrei anbringen.
	Anormales Elektriksystem.	Inspektion und Wartung anfordern.

Wenn der Motor nach dem Warmlaufbetrieb nicht anspringt:

Falls keine Unregelmäßigkeit bei den Prüfpunkten festgestellt wird, den Gashebel um etwa 1/3 betätigen, und den Motor starten.

Grazie per aver selezionato questo atomizzatore a benzina DOLMAR. Siamo lieti di poter offrire questo atomizzatore a benzina DOLMAR che è il risultato di un lungo programma di sviluppo e di molti anni di conoscenze e di esperienze.

Questo atomizzatore combina i vantaggi di una tecnologia da stato dell'arte e di un disegno ergonomico. Esso è maneggevole, compatto, ed è un prodotto professionale per una grande varietà di applicazioni.

**Leggere, capire e seguire questo libretto che riporta dettagliatamente i vari punti che dimostrano le sue eccellenti prestazioni. Esso aiuta a ottenere in tutta sicurezza le prestazioni migliori possibili di questo atomizzatore DOLMAR.**



**Indice**

	<b>Pagina</b>
Simboli.....	80
Istruzioni importanti per la sicurezza .....	81
Dati tecnici .....	87
Nome delle parti .....	88
Istruzioni per il montaggio.....	89
Prima di avviare il motore.....	90
Avviamento e arresto del motore.....	92
Regolazione della velocità del minimo .....	93
Metodo operativo.....	94
Ispezione e manutenzione.....	100
Magazzinaggio .....	103
Correzione dei problemi .....	105

**SIMBOLI**

Leggendo questo manuale di istruzioni è molto importante capire i simboli seguenti.

	AVVERTIMENTO/PERICOLO		Indossare la protezione della respirazione
	Leggere, capire e seguire il manuale di istruzioni		Superfici molto calde – Bruciature delle dita o mani
	Vietato		Carburante (benzina)
	Vietato fumare		Avviamento manuale del motore
	Divieto di fiamme nude		Arresto d'emergenza
	Calzare stivaletti robusti con soles antiscivolo.		Pronto soccorso
	Indossare un abbigliamento protettivo		ACCENSIONE/AVVIAMENTO
	Indossare guanti di protezione		SPEGNIMENTO/STOP
	Tenere lontani gli astanti durante la spruzzatura		Amputazione di dita, mano, lama girante
	Allontanare persone e animali dall'area di lavoro		I capelli lunghi possono causare un incidente impigliandosi
	Indossare la protezione degli occhi e delle orecchie		Fumi velenosi o gas tossici. Uso vietato in aree non ventilate.



## ISTRUZIONI IMPORTANTI PER LA SICUREZZA

### ⚠ AVVERTIMENTO:

- Leggere tutti gli avvertimenti e tutte le istruzioni per la sicurezza. La mancata osservanza degli avvertimenti e delle istruzioni potrebbe causare scosse elettriche, un incendio e/o un serio incidente.

### Conservare tutti gli avvertimenti e le istruzioni per ulteriori consultazioni.

#### Istruzioni generali

- Per assicurare un funzionamento corretto e sicuro, l'operatore deve leggere, capire e seguire questo manuale di istruzioni per familiarizzarsi con l'utilizzo dell'atomizzatore (1). Gli utilizzatori insufficientemente informati rischiano di mettere in pericolo oltre se stessi anche gli altri a causa dell'uso sbagliato.
- Si raccomanda di prestare questo atomizzatore soltanto a persone di provata esperienza con gli atomizzatori.
- Consegnare sempre anche il manuale di istruzioni.
- Gli utilizzatori alle prime armi sono tenuti a richiedere le istruzioni di base al rivenditore, per familiarizzarsi con il maneggiamento dell'atomizzatore.
- L'uso dell'atomizzatore non deve essere permesso ai bambini o ai minori di 18 anni. Chi ha superato i 16 anni può tuttavia usare questa macchina soltanto a scopo di addestramento sotto la diretta supervisione di un istruttore qualificato.
- Usare l'atomizzatore con la massima cura e attenzione.
- L'utilizzatore deve far funzionare l'atomizzatore soltanto se è in buone condizioni fisiche.
- Eseguire ogni lavoro consciamente e accuratamente. L'utilizzatore deve assumersi la responsabilità anche per gli altri.
- L'atomizzatore non deve mai essere usato dopo l'assunzione di bevande alcoliche o di medicine (2).
- L'operatore non deve usare l'atomizzatore quando è stanco.
- Conservare queste istruzioni per ulteriori consultazioni.

#### Uso previsto della macchina

- Usare la macchina appropriata. Il solo scopo dell'atomizzatore è di spruzzare prodotti chimici liquidi, e altri liquidi, per il controllo dei parassiti e delle erbacce dei frutti, fiori e orti sugli alberi, cespugli e altre piante, come caffè, tabacco e cotone. Esso è anche utile per la cura degli alberi giovani, per es., per il controllo dei parassiti della corteccia e altri insetti, e malattie delle piante. Esso non deve mai essere usato per altri scopi.
- Usare soltanto i prodotti per la protezione delle piante specificatamente approvati per l'impiego con gli atomizzatori dal loro fabbricante, e che soddisfano tutte le relative norme, standard e ordinanze per la sicurezza.

Informarsi presso il rivenditore su come usare l'atomizzatore. Osservare tutte le relative norme, standard e ordinanze per la sicurezza locali.

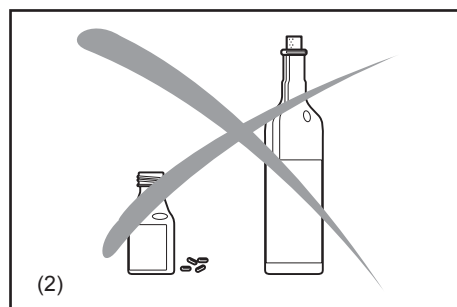
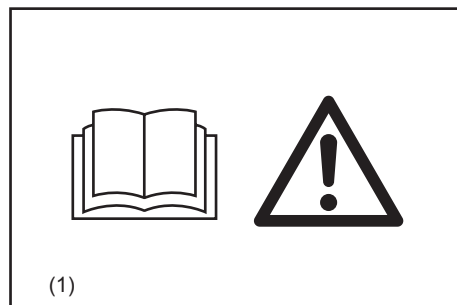
Tutti gli utilizzatori e gli addetti alla manutenzione e riparazione devono essere addestrati e familiarizzati nelle corrette procedure di maneggiamento dei prodotti chimici usati, come pure nelle cure di emergenza di pronto soccorso e nelle norme sullo smaltimento dei prodotti chimici liquidi.

### ⚠ AVVERTIMENTO:

- Questo atomizzatore deve essere usato soltanto per un uso professionale. Esso non deve essere prestato o noleggiato senza il manuale di istruzioni. Accertarsi che chiunque lo usi capisca le informazioni contenute in questo manuale di istruzioni.

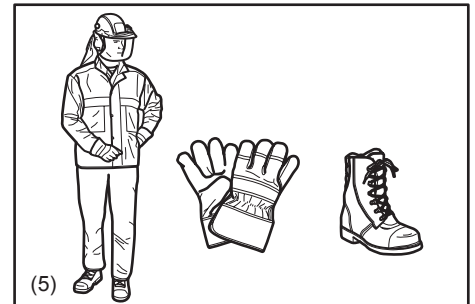
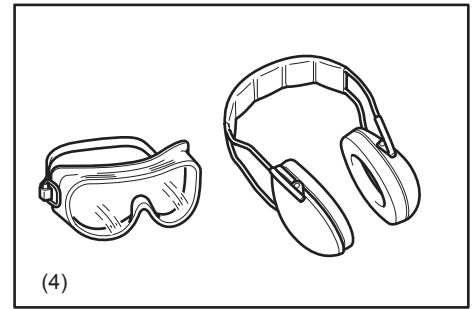
#### Equipaggiamento personale di protezione

- Per ridurre il rischio di incidenti usando i prodotti chimici, indossare l'equipaggiamento di protezione appropriato per il rifornimento, l'utilizzo e la pulizia dell'atomizzatore. Seguire sempre tutte le istruzioni del fabbricante dei prodotti chimici riguardo alla protezione degli occhi, pelle e vie respiratorie. Esse potrebbero differire ed essere di supplemento alle precauzioni seguenti.
- Quando vengono usate sostanze chimiche tossiche, l'operatore e qualunque astante potrebbero essere nella necessità di indossare in modo appropriato un respiratore approvato per il prodotto chimico usato. Leggere l'etichetta che accompagna il prodotto. La respirazione di sostanze chimiche tossiche può causare un incidente serio o fatale.
- L'abbigliamento indossato deve essere funzionale e appropriato, e cioè, deve essere aderente ma senza essere di impedimento. Non portare gioielli, abiti o capelli lunghi che possono essere attirati nell'apertura di aspirazione. (3)
- Per evitare danni a testa, occhi, mani o piedi, come pure per proteggere l'udito, durante le operazioni con l'atomizzatore si devono usare l'equipaggiamento e l'abbigliamento protettivi seguenti.



## Prestare una particolare attenzione alle norme seguenti

- L'abbigliamento deve essere robusto e aderente, ma permettere la piena libertà di movimento. Evitare le giacche ampie, i pantaloni scampanati o rimboccati, le scarpe, i lunghi capelli sciolti o una qualsiasi cosa che potrebbe essere attirata nell'apertura di aspirazione.  
Indossare pantaloni lunghi per proteggere le gambe.  
Non indossare calzoni corti. (5)
- Il rumore dell'atomizzatore potrebbe danneggiare l'udito. Indossare protezioni contro i rumori (tappi per orecchie o cuffie) per proteggere l'udito. Coloro che lavorano continuamente e regolarmente devono farsi controllare regolarmente l'udito. (4)
- Per lavorare con l'atomizzatore, indossare sempre guanti di gomma/resistenti ai prodotti chimici. Il buon appoggio per i piedi è importante. Calzare stivaletti di gomma/resistenti ai prodotti chimici. (5)
- È assolutamente necessaria una protezione degli occhi appropriata. Anche se la spruzzatura è diretta lontano dall'operatore, durante il funzionamento dell'atomizzatore si possono verificare spostamenti e rimbalzi. (4)
- L'atomizzatore non deve mai essere usato senza indossare occhiali di sicurezza montati correttamente con protezioni superiore e laterali adeguate conformi ANSI Z 87.1 (o standard locali in vigore).



## MANEGGIAMENTO DEI PRODOTTI CHIMICI

- Alcuni prodotti chimici usati con l'atomizzatore potrebbero contenere sostanze tossiche e/o caustiche. Tali prodotti chimici possono essere pericolosi e causare incidenti seri o letali alle persone e animali e/o severi danni alle piante e all'ambiente. Evitare il diretto contatto con i prodotti chimici.  
Seguire le istruzioni del fabbricante dei prodotti chimici riguardo a ogni contatto con i prodotti chimici.
- Leggere ogni volta l'etichetta o il manuale di istruzioni del fabbricante prima di miscelare o di usare i prodotti chimici, e prima della loro conservazione o smaltimento.  
Non fare affidamento alla memoria.  
L'impiego sbadato o scorretto può causare un incidente serio o letale.
- Leggere attentamente le etichette sui contenitori dei prodotti chimici prima dell'uso. I prodotti chimici sono classificati in categorie di tossicità.  
Ciascuna categoria ha delle caratteristiche uniche del modo d'impiego.  
Familiarizzarsi con le caratteristiche della categoria del prodotto chimico usato.  
I prodotti chimici devono essere usati soltanto da persone addestrate nel loro modo d'impiego, e nelle misure appropriate di pronto soccorso.
- I prodotti chimici possono essere dannosi alle persone, agli animali e all'ambiente se vengono usati in modo inappropriato. Si sconsiglia inoltre di usare con questo atomizzatore alcuni prodotti chimici caustici, corrosivi o velenosi.
- Miscelare soltanto pesticidi compatibili. Le miscele sbagliate possono produrre fumi tossici.  
Maneggiando e spruzzando i prodotti chimici, assicurarsi di procedere in osservanza alle norme e direttive di protezione dell'ambiente locali, regionali e statali. Non spruzzare se c'è vento. Per aiutare a proteggere l'ambiente, usare soltanto le dosi raccomandate e non fare un uso eccessivo.  
Fare particolarmente attenzione lavorando vicino ai canali di diluizione o ai corsi d'acqua, ecc.
- Evitare di aprire la bocca, come per mangiare, bere o fumare, mentre si maneggiano o spruzzano i prodotti chimici. Mai soffiare con la bocca negli ugelli, tubi, manicotti o qualsiasi altro componente. Maneggiare sempre i prodotti chimici in un'area ben ventilata indossando l'abbigliamento e l'equipaggiamento di protezione appropriato.  
Non conservare o trasportare i prodotti chimici insieme con cibi, bevande o medicine, e mai riusare un contenitore di prodotti chimici per un qualsiasi altro scopo.  
Non trasferire i prodotti chimici liquidi in altri contenitori, soprattutto quelli di cibi e/o bevande.
- Nel caso di un contatto o di ingestione accidentale di un prodotto chimico, o di contaminazione del vestito indossato, smettere di lavorare e consultare immediatamente le istruzioni del fabbricante del prodotto chimico.  
In caso di dubbio sul da farsi, rivolgersi senza indugio a un ente specializzato contro i veleni o a un medico.  
Tenere l'etichetta del prodotto a portata di mano, per leggerla o mostrarla alle persone consultate.  
Asciugare immediatamente ogni fuoriuscita del prodotto chimico.  
Smaltire qualsiasi residuo in osservanza alle leggi e norme locali, regionali o statali.
- Tenere i prodotti chimici fuori della portata dei bambini, persone non autorizzate e animali.  
Quando non vengono usati, tenere i prodotti chimici in un luogo sicuro e chiuso a chiave. Seguire le raccomandazioni del fabbricante per il modo di conservazione corretto.

## Preparazione dei prodotti chimici

- Preparare le soluzioni chimiche secondo le istruzioni del fabbricante del prodotto chimico.
- Preparare soltanto una soluzione sufficiente per il lavoro da svolgere, in modo che non ne avanzi.
- Miscelare i prodotti chimici soltanto seguendo le istruzioni: le miscele sbagliate possono produrre fumi tossici o miscele esplosive.
- Non si devono mai spruzzare prodotti chimici non diluiti.
- Preparare la soluzione e riempire il contenitore soltanto all'aperto in un luogo ben ventilato.
- L'operatore deve conoscere il nome del prodotto chimico che sta usando.

## Conservazione

- Non conservare la soluzione di spruzzatura nel contenitore per più di un giorno.
- Conservare sempre e trasportare la soluzione di spruzzatura soltanto nei contenitori approvati.
- Non si deve mai conservare o trasportare la soluzione di spruzzatura in contenitori intesi per i cibi, bevande o mangime.
- Non si deve mai conservare o trasportare la soluzione di spruzzatura con cibi, bevande o mangime.
- Tenere la soluzione di spruzzatura lontano della portata dei bambini, altre persone non autorizzate e animali.
- Conservare la soluzione di spruzzatura in un luogo sicuro non accessibile a chi non è autorizzato.

## Smaltimento

Non bisogna mai disfarsi dei prodotti chimici residui, o delle soluzioni di risciacquatura contaminate, nei corsi d'acqua, canali di scolo, fognature, rigagnoli, tombini o altri luoghi simili.

Smaltire la sciacquatura contaminata in osservanza alle relative leggi, norme e ordinanze.

Osservare rigorosamente le istruzioni cautelative del fabbricante del prodotto chimico.

## Riempimento del contenitore

- Stringere tutte le connessioni e accertarsi che le tubazioni e i tubi siano attaccati saldamente e in buone condizioni. Mantenere chiusa la leva di spruzzatura della soluzione.
- Prima di usare l'atomizzatore con i prodotti chimici, riempirlo d'acqua fresca per accertarsi di averlo montato correttamente e fare delle prove di spruzzatura. Controllare anche allo stesso tempo che non ci siano perdite. Dopo la familiarizzazione completa con il funzionamento dell'atomizzatore, seguire le normali procedure operative.
- Riempire l'atomizzatore in un luogo ben ventilato, all'aperto.
- Non usare:
  - sostanze infiammabili, che potrebbero causare una esplosione e un incidente serio o letale;
  - materiali caustici o corrosivi, che potrebbero danneggiare l'unità;
  - liquidi con una temperatura sopra i 50°C, per ridurre il rischio di scottature e danni all'unità.

Per riempire il serbatoio della soluzione, sistemare l'atomizzatore su una superficie piana e versare la soluzione soltanto in buone condizioni di luce e di visibilità. Per ridurre il rischio di contaminazione dell'ambiente circostante, fare attenzione a non riempire eccessivamente il serbatoio con la soluzione chimica.

Per ridurre il rischio di incidenti, non riempire l'atomizzatore mentre lo si trasporta sulle spalle.

Se si riempie il serbatoio della soluzione con un tubo attaccato a una alimentazione centrale dell'acqua, accertarsi che l'estremità del tubo sia fuori dalla soluzione per ridurre il rischio di un riflusso, e cioè che i prodotti chimici vengano aspirati nella fonte di alimentazione dell'acqua nel caso di un improvviso vuoto.

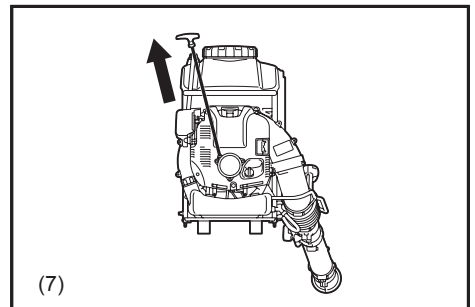
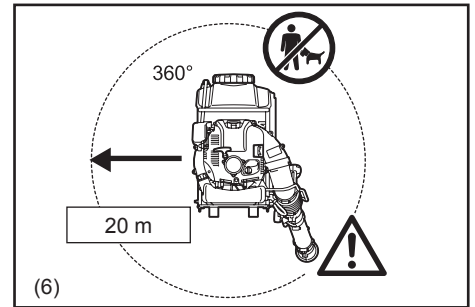
Calcolare la quantità corretta della soluzione chimica, in modo che venga usata tutta in una volta, senza che ne rimanga nel serbatoio.

Dopo il riempimento, rimettere a posto il tappo del serbatoio e stringerlo saldamente.

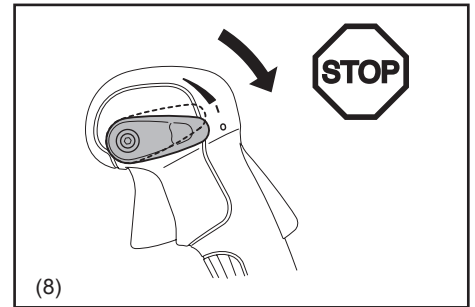
- Controllare se ci sono perdite durante il riempimento e il funzionamento. Una perdita dal serbatoio della soluzione o da un giunto allentato potrebbe finire sul vestito e venire a contatto con la pelle.

## Avviamento dell'atomizzatore

- Accertarsi che non ci siano bambini o altre persone entro un raggio di 20 metri (6) dal posto di lavoro, e fare anche attenzione agli animali nelle vicinanze.  
L'atomizzatore non deve mai essere usato nelle zone urbane.
- Prima di cominciare, controllare sempre che l'atomizzatore funzioni correttamente. Controllare la sicurezza del grilletto acceleratore. Il controllo deve accertare il funzionamento scorrevole e facile del grilletto acceleratore. Controllare il corretto funzionamento del blocco del grilletto acceleratore.  
Accertarsi che le impugnature siano pulite e asciutte, e controllare il funzionamento dell'interruttore I-O. Sulle impugnature non ci devono mai essere olio e carburante.
- Per ridurre il rischio di perdite dei prodotti chimici e del loro contatto con la pelle, accertarsi che il tappo del contenitore e tutte le connessioni nel percorso della spruzzatura siano strette saldamente, e controllare che il tubo sia attaccato saldamente e in buone condizioni. Mantenere chiusa la leva di spruzzatura soluzione.
- Accertarsi che la leva di spruzzatura della soluzione sia chiusa prima di avviare la macchina.
- Accertarsi che il cappello della candela sia montato saldamente sulla candela. Il cappello della candela allentato potrebbe causare la formazione di un arco, che può infiammare i fumi del combustibile causando un incendio.
- Controllare la condizione delle cinghie, e sostituire le cinghie danneggiate o usurate.
- Regolare le cinghie da spalla secondo la propria corporatura prima di cominciare il lavoro.  
In una emergenza, è possibile sfilarsi dalle cinghie da spalla e scagliare velocemente lontano da sé l'atomizzatore. Allenarsi a liberarsi diverse volte dalle cinghie da spalla prima di usare la macchina, per abituarsi a farlo. Non scagliare l'atomizzatore durante questo allenamento, perché lo si potrebbe danneggiare.
- Per tirare la maniglia di avviamento, non avvolgere la corda di avviamento sulla mano. Non lasciare scattare indietro la maniglia di avviamento, e guidarla invece in modo che si riavvolga correttamente.  
Se non si procede in questo modo, c'è il pericolo di ferirsi la mano o le dita e di danneggiare il meccanismo di avviamento.
- Per sistemare l'atomizzatore sulle spalle dopo il suo avviamento potrebbe essere necessario l'aiuto di un'altra persona. Per ridurre il rischio di un incidente all'assistente a causa di oggetti scagliati, spruzzo/liquido del prodotto chimico o contatto con i fumi di scarico, tenere il motore alla velocità del minimo durante questo breve periodo e non permettere all'assistente di rimanere nell'area dell'ugello di uscita o di scarico. Si deve altrimenti avviare e far funzionare l'atomizzatore da soli senza aiuto.
- Avviare l'atomizzatore soltanto secondo le istruzioni.
- Non si devono usare altri metodi di avviamento del motore (7)!
- Usare l'atomizzatore e gli accessori in dotazione soltanto per le applicazioni specificate.
- Avviare il motore dell'atomizzatore soltanto dopo aver completato il montaggio dell'intera macchina. Il funzionamento della macchina è permessibile soltanto dopo il montaggio di tutti gli accessori appropriati.
- Il motore va spento immediatamente se sviluppa un qualsiasi problema.
- Usare l'atomizzatore per il funzionamento con una sola mano con la mano destra sull'impugnatura di controllo. Trasportarlo come uno zaino con le cinghie da spalla su entrambe le spalle.  
Per ridurre il rischio di una perdita di controllo, l'atomizzatore non deve mai essere trasportato con le cinghie su una sola spalla.
- Per lavorare con l'atomizzatore, avvolgere strettamente le dita sull'impugnatura tenendo l'impugnatura di controllo con il pollice e l'indice. Tenere la mano in questa posizione per mantenere sempre sotto controllo l'atomizzatore. Accertarsi che l'impugnatura di controllo sia in buone condizioni e che su di essa non ci sia umidità, sporco, olio o grasso.
- Assicurarsi sempre un appoggio dei piedi sicuro e ben equilibrato.
- Per mantenere dritto il serbatoio della soluzione e ridurre il rischio di perdite, evitare di piegarsi alla vita. Piegarsi soltanto sulle ginocchia e sostenersi come necessario per garantire un equilibrio corretto.  
Tener presente che l'atomizzatore pieno di liquido ha un notevole peso. L'operatore deve fare particolarmente attenzione nel piegarsi, sporgersi o camminando.
- Far funzionare l'atomizzatore in modo da evitare l'inalazione dei gas di scarico. Il motore non deve mai essere fatto funzionare nelle stanze chiuse (rischio di soffocazione e avvelenamento da gas). L'ossido di carbonio è un gas inodoro. Accertarsi sempre che ci sia una ventilazione adeguata.
- Questo atomizzatore non è isolato contro le scosse elettriche. Per ridurre il rischio di scosse elettriche, l'atomizzatore non deve mai essere fatto funzionare vicino a fili o cavi (energia elettrica, ecc.) che potrebbero trasportare la corrente elettrica. Non spruzzare su o vicino a impianti elettrici.

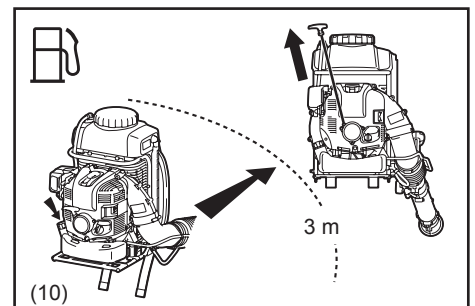
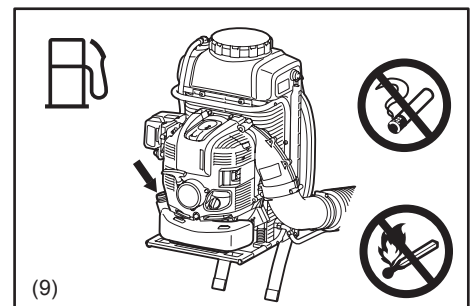


- Spegnere il motore durante le pause e quando si lascia l'atomizzatore incustodito. Metterlo in un posto sicuro per evitare pericoli agli altri, l'incendio di materiali infiammabili o danni alla macchina (8).
- Non posare mai l'atomizzatore caldo sull'erba secca o su un qualsiasi materiale combustibile.
- Non posare l'atomizzatore per terra mentre sta funzionando ad alta velocità, perché nell'apertura di aspirazione potrebbero essere attirati piccoli oggetti, come sabbia, erba, polvere, ecc., e danneggiare la ventola.
- Durante le pause di lavoro, non lasciare l'atomizzatore sotto il sole o vicino alle fonti di calore.
- Durante il lavoro si devono usare tutte le parti protettive e le protezioni in dotazione alla macchina.
- Il motore non deve mai essere fatto funzionare se la marmitta di scarico è difettosa.
- Non mettere le mani sull'apertura di ventilazione. La marmitta diventa molto calda durante il funzionamento e potrebbe causare bruciature.
- Non toccare a lungo il coperchio del motore. Potrebbe diventare molto caldo durante il funzionamento e causare bruciature.
- Spegnere il motore durante il trasporto (8).
- Sistemare in modo sicuro l'atomizzatore durante il trasporto in macchina o camion, in modo da evitare perdite di carburante.
- Per il trasporto dell'atomizzatore, accertarsi che il serbatoio del carburante e il contenitore del liquido/prodotto chimico siano completamente vuoti.



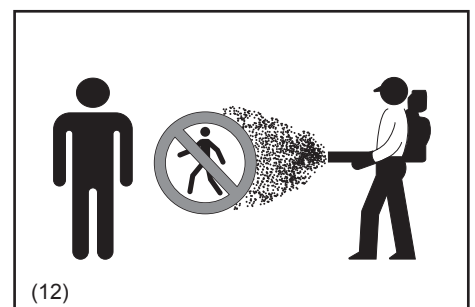
### Rifornimento di carburante

- Spegnere il motore (8) durante il rifornimento del carburante, tenerlo lontano da fiamme nude (9) e non fumare.
- Evitare il contatto con la pelle con la benzina. Non inalare i vapori del carburante. Indossare sempre guanti di protezione durante il rifornimento di carburante. Cambiare e pulire l'abbigliamento di protezione a intervalli regolari.
- Fare attenzione che il carburante o l'olio non si spanda, per evitare la contaminazione del suolo (protezione dell'ambiente). Pulire immediatamente l'atomizzatore se c'è stata una fuoriuscita di carburante. Lasciare asciugare gli abiti bagnati prima di riporli correttamente in un contenitore coperto, per evitare la combustione spontanea.
- Evitare ogni contatto del carburante con il vestito. Cambiarsi immediatamente se si è versato del carburante su di esso (pericolo d'incendio).
- Ispezionare il tappo del serbatoio del carburante a intervalli regolari, per accertarsi che resti chiuso saldamente.
- Stringere con cura la vite di bloccaggio del serbatoio del carburante. Cambiare posto per avviare il motore (ad almeno 3 metri di distanza dal posto di rifornimento) (10).
- Non si deve mai fare rifornimento nelle stanze chiuse. I vapori del carburante si accumulano al livello del suolo (rischio di esplosione).
- Trasportare e conservare il carburante soltanto in contenitori approvati. Accertarsi che il carburante non sia accessibile ai bambini.
- Non cercare di rifornire un motore caldo o che gira.



### Modo di utilizzo

- Usare l'atomizzatore soltanto in buone condizioni di luce e di visibilità. Nelle stagioni fredde, fare attenzione alle aree scivolose o bagnate, ghiaccio e neve (rischio di scivolare). Assicurare sempre il saldo appoggio dei piedi (11).
- Non si deve mai lavorare su superfici instabili o su terreni ripidi (11).
- Se non si è a conoscenza dei rischi associati al particolare prodotto chimico che si usa, leggere l'etichetta del prodotto e/o il foglio dei dati di sicurezza del materiale di quella sostanza e/o rivolgersi al fabbricante/rivenditore del materiale. Per le informazioni sui materiali pericolosi ci si può anche rivolgere al datore di lavoro, enti statali e altre fonti. Alcune altre autorità hanno pubblicato le liste delle sostanze che si sanno che causano il cancro, tossicità riproduttiva, ecc. (11).
- Per ridurre il rischio di infortuni, non dirigere direttamente il getto d'aria verso gli astanti, perché l'alta pressione del flusso dell'aria può danneggiare gli occhi e scagliare piccoli oggetti ad alta velocità (12).
- Non si deve mai spruzzare nella direzione di persone, animali o proprietà, che potrebbero essere ferite o danneggiate dalla spruzzatura (12).
- Non si devono mai inserire oggetti estranei nell'apertura di aspirazione dell'aria o nell'ugello dell'atomizzatore. Ciò danneggia la ventola e potrebbe causare un serio incidente all'operatore o agli astanti per gli oggetti o parti rotte scagliati fuori ad alta velocità.
- Fare attenzione alla direzione del vento, e cioè, non lavorare controvento.
- Per ridurre il rischio di inciampare e di una perdita di controllo, non si deve camminare all'indietro durante il funzionamento della macchina.
- Spegnere sempre il motore prima di eseguire operazioni di pulizia o di manutenzione della macchina, o di sostituire delle parti.
- Riposare per evitare una perdita di controllo causata dalla stanchezza. Si consiglia di fare una pausa dai 10 ai 20 minuti ogni ora.



## Alla fine del lavoro

- Lavarsi sempre completamente con acqua e sapone dopo la spruzzatura o il maneggiamento dei prodotti chimici. Fare immediatamente una doccia e lavare tutto l'abbigliamento di protezione separatamente dagli altri oggetti.

Seguire qualsiasi raccomandazione supplementare del fabbricante del prodotto chimico.

Togliere sempre la polvere e lo sporco dall'atomizzatore.

- Svuotare, sciacquare e pulire il serbatoio e il gruppo della soluzione dopo ogni utilizzo. Ciò aiuta a prevenire la cristallizzazione della soluzione, che potrebbe in seguito causare un intasamento e un danno chimico all'unità. I residui chimici potrebbero inoltre avere effetti indesiderati durante la spruzzatura successiva con un tipo di prodotto chimico diverso (per es., un diserbante residuo potrebbe danneggiare o uccidere delle piante spruzzate con un antiparassitario).

Non riporre l'atomizzatore con una soluzione di spruzzatura nel serbatoio della soluzione.

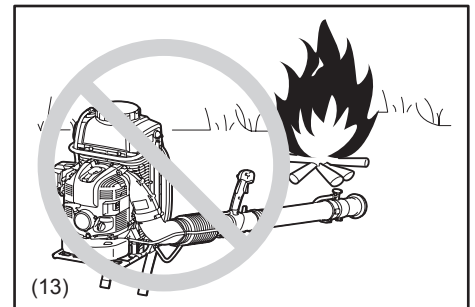
- Tenere i bambini, le persone estranee e gli animali domestici lontani dalle aree che sono state appena spruzzate.

Dopo l'impiego di alcuni prodotti chimici, soprattutto pesticidi agricoli, nell'area trattata deve essere messo un cartello con l'avviso che è in effetto un "Intervallo di Ingresso Vietato".

Verdere l'etichetta del prodotto chimico e qualsiasi norma in vigore al riguardo.

## Istruzioni di manutenzione

- Eseguire la pulizia e la manutenzione prima del magazzinaggio.
- Aver cura dell'ambiente. Far funzionare l'atomizzatore con il minor rumore e inquinamento possibile. Controllare in modo particolare la regolazione corretta del carburatore.
- Pulire l'atomizzatore a intervalli regolari, e accertarsi che tutte le viti e i dadi siano stretti saldamente.
- Non si deve mai rifornire o conservare l'atomizzatore nelle vicinanze di fiamme nude, scintille, ecc. (13).
- Conservare sempre l'atomizzatore in una stanza chiusa a chiave ben ventilata, e con i serbatoi del carburante e della soluzione vuoti.



**Osservare e seguire tutte le pertinenti istruzioni di prevenzione degli incidenti delle associazioni commerciali di categoria e compagnie di assicurazione.**

**Non modificare in alcun modo l'atomizzatore, perché ciò costituisce un rischio per la sicurezza.**

La prestazione del lavoro di manutenzione o riparazione da parte dell'utente è limitata alle attività descritte in questo manuale di istruzioni. Qualsiasi altro lavoro deve essere eseguito da un Centro di Assistenza autorizzato.

Usare soltanto i ricambi e accessori genuini forniti da DOLMAR.

L'utilizzo di accessori e macchine non approvati comporta un maggior rischio di incidenti e infortuni. DOLMAR declina ogni responsabilità per gli incidenti e danni causati dall'utilizzo di qualsiasi parte o accessorio non approvato.

## Pronto soccorso

Accertarsi che nelle vicinanze dell'area di lavoro ci sia una cassetta di pronto soccorso ben fornita. Sostituire immediatamente qualsiasi oggetto prelevato dalla cassetta di pronto soccorso.

Al momento della richiesta di assistenza, fornire le informazioni seguenti:

- Luogo dell'incidente
- Cosa è accaduto
- Numero di persone ferite
- Tipo di ferite
- Nome e cognome



## Imballaggio

Questo atomizzatore DOLMAR viene consegnato in una scatola di cartone di protezione per evitare danni durante la spedizione. Il cartone è un materiale grezzo di base, per cui è di conseguenza riusabile o adatto al riciclaggio (riciclaggio della carta straccia).

## CONSERVARE QUESTE ISTRUZIONI.

### ⚠ AVVERTIMENTO:

- NON lasciare che la comodità d'utilizzo o la familiarità con il prodotto (acquisita con l'uso ripetuto) sostituisca la stretta osservanza delle sue norme per la sicurezza. L'USO SCORRETTO o la mancata osservanza delle norme per la sicurezza indicate nel manuale di istruzioni potrebbero causare un serio incidente.

Per i Paesi europei soltanto

## Dichiarazione di conformità CE

### Makita dichiara che la macchina seguente:

Designazione della macchina: Atomizzatore a benzina

Modello No./Tipo: SP-7650.4 R

Dati tecnici: vedere la tabella "DATI TECNICI"

### è conforme alle direttive europee seguenti:

2006/42/CE, 2000/14/CE

è fabbricata in conformità agli standard o documenti standardizzati seguenti:

EN ISO 28139, ISO 10988

Il file tecnico conforme 2006/42/CE è disponibile presso:

Makita, Jan-Baptist Vinkstraat 2, 3070, Belgio

La procedura di valutazione della conformità richiesta dalla Direttiva 2000/14/CE è stata effettuata secondo quanto specificato nell'allegato V.

Livello di potenza sonora misurato: 110,1 dB

Livello di potenza sonora garantito: 111 dB

8.7.2014



Yasushi Fukaya

Direttore

Makita, Jan-Baptist Vinkstraat 2, 3070, Belgio

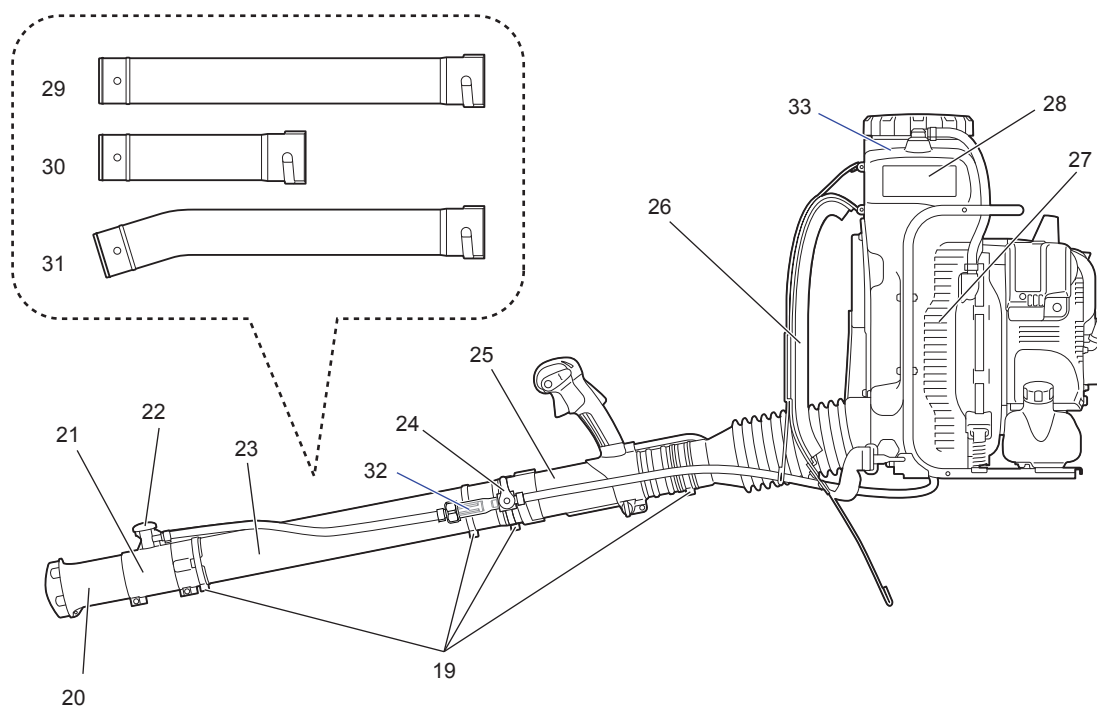
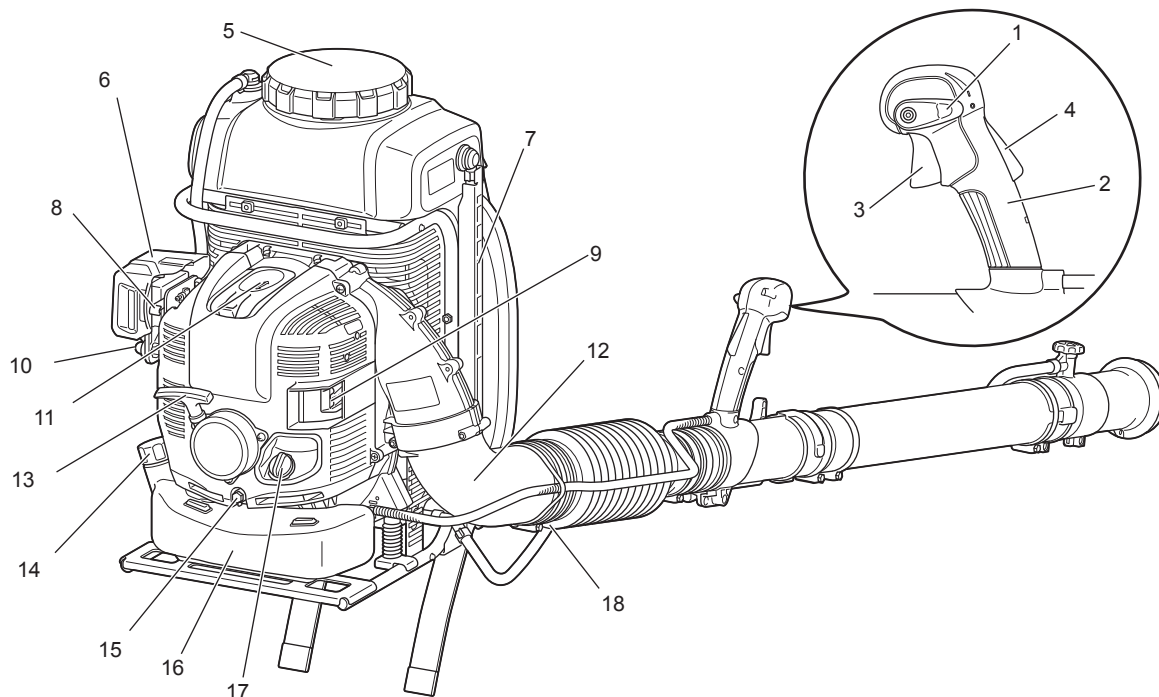
## DATI TECNICI

Modello		SP-7650.4 R	
Peso (con pieno carburante, pieno prodotto chimico, 220 ml di olio motore)	(kg)	30,4	
Peso (a secco)	(kg)	14,1	
Dimensioni (tubo atomizzatore escluso Lunghezza x Larghezza x Altezza)	(mm)	420 x 440 x 595	
Tipo di motore		Raffreddato ad aria, 4-tempi, cilindro unico	
Prestazioni motore max.	(kW)	2,7	
Velocità motore max.	(min <sup>-1</sup> )	7.400	
Velocità del minimo	(min <sup>-1</sup> )	2.800	
Cilindrata	(cm <sup>3</sup> )	75,6	
Carburante		Benzina per automobili	
Capacità serbatoio carburante	(L)	1,8	
Olio motore		Olio SAE 10W-30 di gradi API, classe SF o superiore (olio motore a 4-tempi per automobili)	
Volume olio motore	(L)	0,22	
Carburatore (carburatore a membrana)		WALBRO WYK	
Candela		NGK CMR6A	
Distanza elettrodi	(mm)	0,7 – 0,8	
Capacità serbatoio soluzione	(L)	15,0	
Campo di spruzzatura (orizzontale / verticale)	(m)	16 / 13	
Velocità aria max.	(m/s)	85	
Velocità flusso aria	(m <sup>3</sup> /min)	14,1	
Vibrazioni per ISO 22867	a <sub>fv eq</sub>	(m/s <sup>2</sup> )	2,7
	Incertezza K	(m/s <sup>2</sup> )	0,8
Livello medio di pressione sonora per ISO 22868	L <sub>PA eq</sub>	dB (A)	95,4
	Incertezza K	dB (A)	2,9
Livello medio di potenza sonora a ISO 22868	L <sub>WA eq</sub>	dB (A)	110,1
	Incertezza K	dB (A)	1,3

Nota:

1. Usare l'olio e la candela specificati nella tabella.
2. Questi dati tecnici sono soggetti a modifiche senza avviso.
3. Usare la linea di livello di 10 litri come linea guida per il peso lordo di 25 kg dell'atomizzatore, compresa la soluzione.
4. I livelli di vibrazione e rumore sono misurati con l'impiego del tubo diritto (lungo).

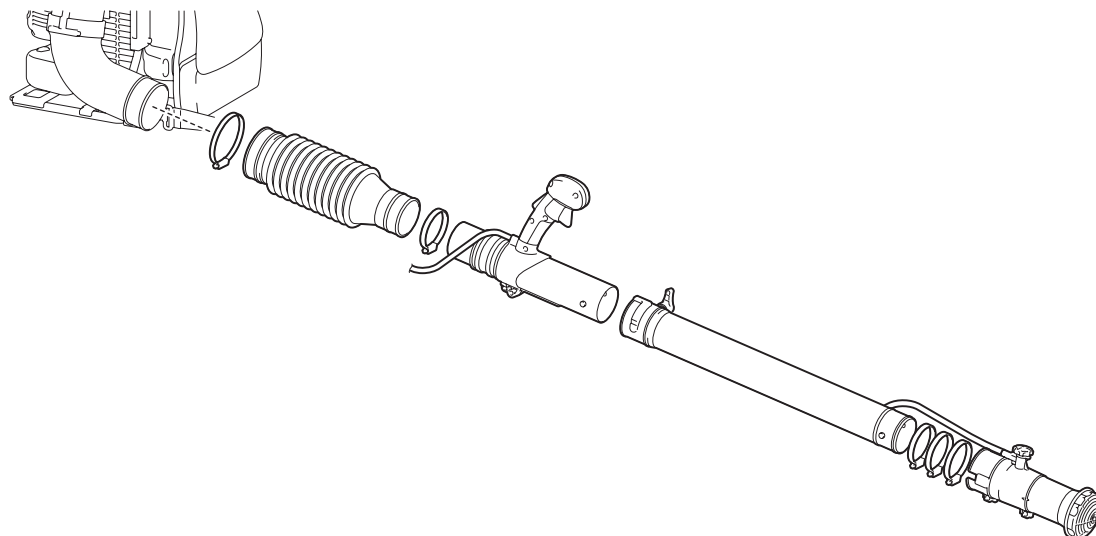
## NOME DELLE PARTI



1. Leva di controllo arresto	12. Gomito	23. Tubo diritto
2. Impugnatura di controllo	13. Maniglia di avviamento	24. Leva di spruzzatura soluzione
3. Grilletto acceleratore	14. Tappo serbatoio carburante	25. Tubo girevole
4. Leva di sblocco	15. Bullone di scarico olio	26. Cinghia da spalla
5. Tappo serbatoio soluzione	16. Serbatoio carburante	27. Retino d'ingresso aria
6. Coperchio filtro aria	17. Tappo olio	28. Serbatoio soluzione
7. Tubo di controllo livello soluzione	18. Bandella tubo (diametro 100 mm)	29. Tubo diritto (lungo) (accessorio opzionale)
8. Leva aria	19. Bandella tubo (diametro 76 mm)	30. Tubo diritto (corto) (accessorio opzionale)
9. Marmitta	20. Ugello superiore	31. Tubo curvo (accessorio opzionale)
10. Pompa di adescamento	21. Ugello secondario	32. Filtro giunto tubo
11. Coperchio candela	22. Manopola di regolazione liquido	33. Filtro serbatoio soluzione (nel serbatoio soluzione)



# ISTRUZIONI PER IL MONTAGGIO



## Montaggio dei tubi dell'atomizzatore

### ⚠ ATTENZIONE:

- Prima di un qualsiasi intervento sull'atomizzatore, spegnere sempre il motore e staccare i connettori della candela dalla candela.
- Indossare sempre guanti di protezione!
- Avviare l'atomizzatore soltanto dopo averlo montato completamente.
- Dopo il montaggio, accertarsi che tutte le bandelle dei tubi siano strette saldamente.

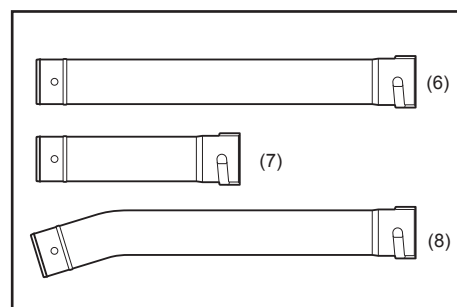
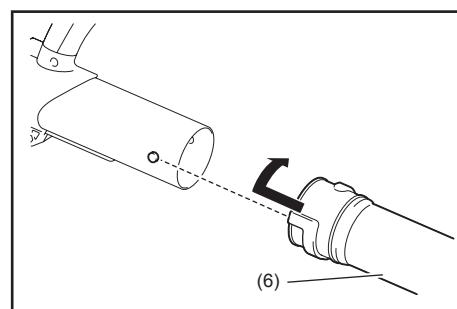
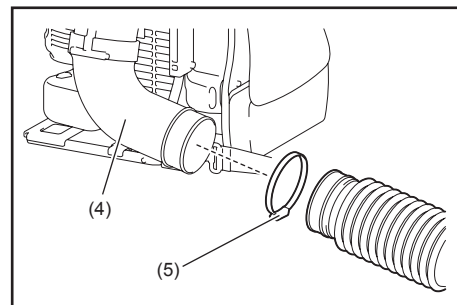
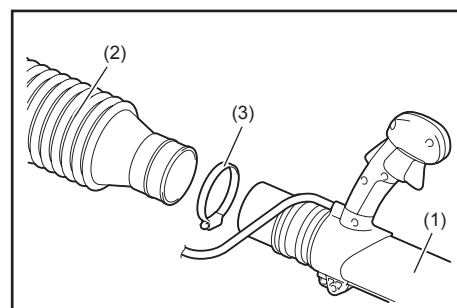
### NOTA:

- Accertarsi che le teste dei bulloni delle bandelle sporgano esternamente quando vengono strette, come illustrato.

1. Collegare il tubo girevole (1) al tubo flessibile (2).  
Stringerli con la bandella di 76 mm di diametro (3).
2. Collegare il tubo flessibile al gomito (4) dell'atomizzatore.  
Stringerli con la bandella di 100 mm di diametro (5).
3. Collegare il tubo diritto (6) al tubo girevole (1).  
Allineare la scanalatura del tubo diritto sulla sporgenza del tubo girevole, ruotare il tubo diritto finché scatta in posizione e stringerli poi con la bandella di 76 mm di diametro (3).

### NOTA:

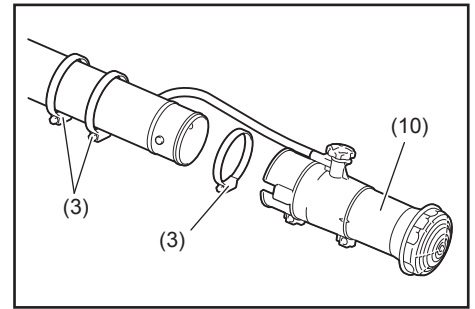
- Il tubo diritto sopra indica ciascuno dei tre tubi seguenti sostituibili secondo le necessità del lavoro.
    - Tubo diritto (lungo) (6)
    - Tubo diritto (corto) (7)
    - Tubo curvo (8)
- Come attrezzatura standard dell'atomizzatore viene fornito soltanto uno dei tubi sopra, o una combinazione di essi, che potrebbe differire da Paese a Paese. Gli altri tipi di tubi che restano possono essere forniti come accessori opzionali.



4. Sistemare in modo allentato sul tubo due bandelle di 76 mm di diametro (3) (queste bandelle servono per fissare più tardi la leva di spruzzatura soluzione e il giunto del tubo).

Montare l'ugello secondario (10) con il tubo diritto.

Stringerli con un'altra bandella di 76 mm di diametro (3).

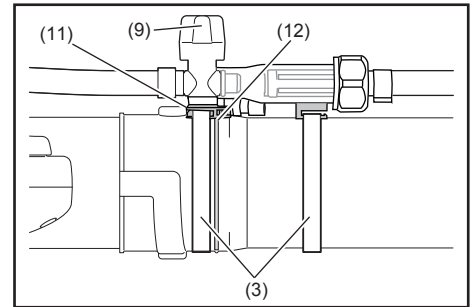


5. Mettere la leva di spruzzatura soluzione (9) sul tubo.

Accertarsi che il lato aperto della base della leva (11) sia rivolto verso il tubo girevole.

Allineare la base della leva sul gioco della sporgenza del tubo diritto (12).

Stringerli con le bandelle di 76 mm di diametro (3).



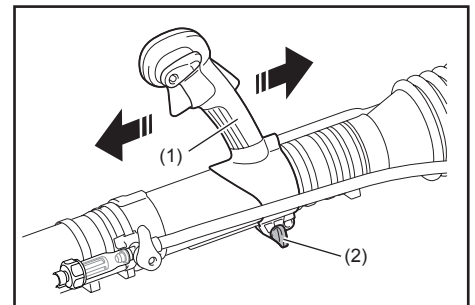
6. Accertarsi che tutte le bandelle siano strette saldamente.

### Regolazione e fissaggio dell'impugnatura di controllo

1. Sistemare la macchina sulle spalle e regolare le cinghie da spalla (vedere "Regolazione delle cinghie da spalla").

2. Spingere l'impugnatura di controllo (1) lungo il tubo sulla posizione più comoda.

3. Fissare l'impugnatura di controllo girando la manopola (2).



## PRIMA DI AVVIARE IL MOTORE

### 1. Controllo e rabbocco dell'olio motore

- 1) Seguire la procedura sotto quando l'olio motore è freddo, e cioè, quando l'atomizzatore non è stato usato.

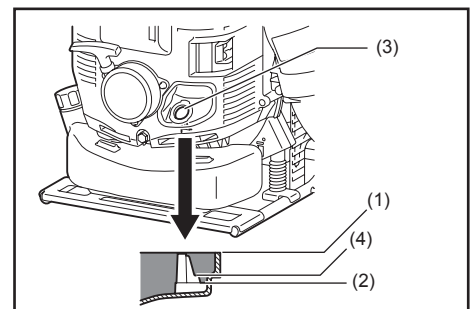
- **Ispezione:** Mettere l'atomizzatore su una superficie piana, e rimuovere il tappo dell'olio. Accertarsi che il livello dell'olio sia entro i segni del limite superiore (1) e inferiore (2) dell'indicatore dell'olio (3). Se l'olio non arriva al livello di 100 ml (4), rabboccare con olio nuovo.
- **Rabbocco olio:** Mettere l'atomizzatore su una superficie piana, e rimuovere il tappo dell'olio. Rabboccare l'olio fino al limite superiore dell'indicatore dell'olio.

- 2) Generalmente, l'olio motore deve normalmente essere aggiunto dopo ogni 20 ore di utilizzo. Questo intervallo di ogni cambio dell'olio corrisponde a 10 – 15 rifornimenti di carburante dell'atomizzatore.

- 3) Cambiare l'olio ogni volta che diventa sporco o cambia colore in modo evidente. (Vedere a pag. 100 per la procedura e la frequenza di cambio dell'olio.)

Olio consigliato: Olio DOLMAR genuino o olio SAE10W-30 di gradi API, classe SF o superiore (olio motore a 4-tempi per automobili)

Capacità olio: 0,22 l (220 ml) circa



#### ⚠ ATTENZIONE:

- Se l'atomizzatore non viene mantenuto in posizione verticale, l'olio potrebbe scorrere nel motore dall'indicatore del livello, dando una lettura sbagliata quando si controlla il livello dell'olio. Ciò potrebbe causare un rabbocco eccessivo ogni volta che si aggiunge l'olio motore. Mantenere sempre l'atomizzatore in posizione verticale.
- Se il limite del livello superiore viene superato, l'olio potrebbe contaminarsi e causare l'uscita di fumo bianco per l'eccesso d'olio che brucia.

#### Punto di controllo 1: Riguardo al tappo dell'olio quando si rabbocca l'olio

- Togliere lo sporco e il sudiciume intorno all'apertura prima di rimuovere il tappo dell'olio.
- Rimuovere il tappo dell'olio e metterlo su una superficie pulita, in modo che non vi si accumulino sopra sabbia, sporco o altre sostanze estranee. Esse potrebbero rimanere attaccate al tappo e sporcare l'olio motore se non si presta la dovuta attenzione. L'olio sporco contenente sabbia, sporco o sostanze estranee potrebbe usurare eccessivamente il motore per una lubrificazione impropria e causare un guasto.

### **Punto di controllo 2: Se si verifica una fuoriuscita dell'olio durante il rabbocco**

- La fuoriuscita dell'olio sull'esterno dell'atomizzatore potrebbe sporcare o contaminare l'olio motore. Asciugare perciò tutto l'olio che è fuoriuscito prima di avviare il motore.

## **2. Rifornimento di carburante**

### **⚠ AVVERTIMENTO:**

- Quando si fa rifornimento, osservare le istruzioni seguenti per evitare una combustione o incendio:
  - Il rifornimento di carburante deve essere fatto in un luogo dove non ci sono fuochi. Non avvicinare mai una fiamma (fumare, ecc.) vicino al posto di rifornimento.
  - Spegnerne il motore e lasciarlo raffreddare prima del rifornimento.
  - Fare rifornimento su una superficie piana. Non fare rifornimento in un posto instabile o scarsamente ventilato.
  - Fare rifornimento con buona luce e visibilità.
  - Fare rifornimento in un posto aperto e sgombro.
  - Aprire lentamente il tappo del serbatoio pieno del carburante. Il carburante potrebbe schizzare fuori per la pressione interna.
  - Fare attenzione a non spandere il carburante. Il carburante versato fuori deve essere asciugato completamente.
  - Non rifornire più del necessario.
  - Fare rifornimento in un posto ben ventilato.
- Maneggiare il carburante con cura.
  - Il carburante che aderisce alla pelle o entra negli occhi può causare allergie o irritazione. Se si nota una qualsiasi anomalia fisica, rivolgersi immediatamente a un medico.

### **Tempo di conservazione del carburante**

Il carburante dovrebbe essere usato entro un periodo di 4 settimane circa, anche se viene mantenuto in uno speciale contenitore in un luogo all'ombra ben ventilato.

Se non si usa uno speciale contenitore, o se il contenitore non è chiuso, il carburante potrebbe deteriorarsi in un giorno.

### **Conservazione della macchina e del serbatoio di rifornimento**

- Tenere la macchina e il serbatoio in un posto fresco lontano dalla luce diretta del sole.
- Non si deve mai tenere il carburante nell'abitacolo della macchina o nel portabagagli.

### **Carburante**

Il motore è del tipo a 4-tempi. Accertarsi di usare benzina per automobili (benzina normale o super).

### **Punti per il carburante**

- Non si deve mai usare una miscela di carburante contenete olio motore. Essa causa altrimenti un'accumulazione eccessiva di carbone o problemi meccanici.
- L'uso di carburante deteriorato causa un avviamento irregolare.

Quando si fa rifornimento di carburante, accertarsi di aver spento il motore e che si sia raffreddato.

### **Metodo di rifornimento**

- Allentare leggermente il tappo del serbatoio in modo che non ci sia una differenza di pressione atmosferica.
- Staccare il tappo del serbatoio e fare rifornimento scaricando l'aria inclinando il serbatoio in modo che il foro di rifornimento sia rivolto in alto. (Non si deve mai riempire il serbatoio fino al foro di rifornimento.)
- Dopo il rifornimento, stringere saldamente il tappo del serbatoio.
- Sostituire il tappo del serbatoio se è difettoso o danneggiato.
- Il tappo del serbatoio si usura con il tempo. Sostituirlo ogni due o tre anni.

# AVVIAMENTO E ARRESTO DEL MOTORE

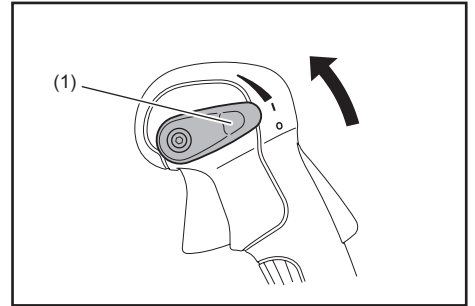
## 1. Avviamento

### ⚠ AVVERTIMENTO:

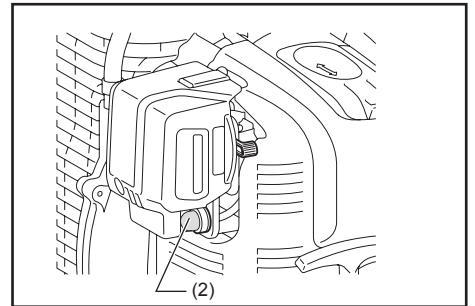
- Non si deve mai cercare di avviare il motore dove si è fatto il rifornimento. Quando si avvia il motore, stare ad almeno 3 metri di distanza.
  - Ciò potrebbe altrimenti causare una combustione o un incendio.
- Il gas di scarico dal motore è tossico. Non far funzionare il motore in un posto scarsamente ventilato, come in un tunnel, edificio, ecc.
  - Se si fa funzionare il motore in un posto scarsamente ventilato c'è pericolo di avvelenamento dal gas di scarico.
- Se dopo l'avviamento si nota un qualsiasi rumore, odore o vibrazione anormale, spegnere immediatamente il motore ed eseguire una ispezione.
  - Se si fa funzionare il motore senza aver corretto la condizione anormale, si potrebbe verificare un incidente.
- Accertarsi che il motore si arresti quando si mette la leva di controllo arresto sulla posizione "O".
- Accertarsi che la leva di spruzzatura della soluzione sia chiusa prima di avviare la macchina.

### 1) Quando il motore è freddo o dopo il rifornimento (avviamento a freddo):

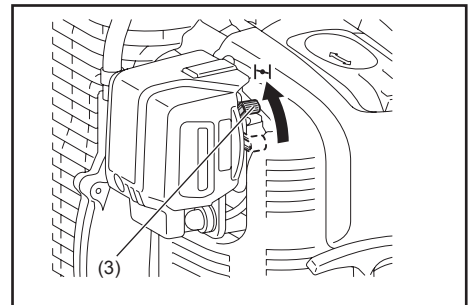
- (1) Mettere la macchina su una superficie piana.
- (2) Mettere la leva di controllo arresto (1) sulla posizione "I".



- (3) Premere diverse volte la pompa di adescamento (2) finché il carburante entra nella pompa.
  - Per far entrare il carburante nel carburatore sono generalmente necessarie da 7 a 10 pressioni.
  - Se la pompa di adescamento viene premuta eccessivamente, la benzina in eccesso torna nel serbatoio del carburante.

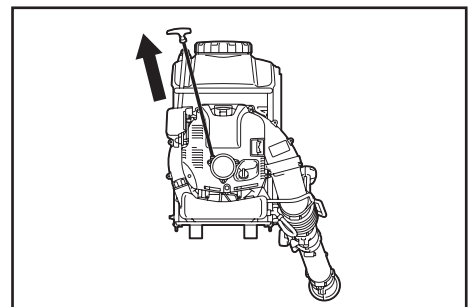


- (4) Sollevare la leva dell'aria (3).

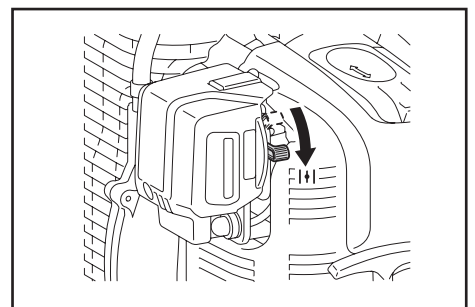


- (5) Tenere con la mano sinistra il coperchio del filtro dell'aria, per evitare che il motore si sposti, e assumere una posizione stabile.

- (6) Tirare lentamente la maniglia di avviamento finché si sente la compressione. Tirarla poi con forza. Per l'avviamento del motore potrebbero essere necessari da due a quattro tentativi.
  - Non tirare la corda fino alla sua massima estensione.
  - Far tornare delicatamente la maniglia di avviamento nel suo alloggiamento. In caso contrario, la maniglia di avviamento rilasciata potrebbe colpire una parte del corpo dell'operatore o non riavvolgersi correttamente.



- (7) Quando il motore si è avviato, abbassare gradualmente la leva dell'aria controllando allo stesso tempo il funzionamento del motore. Accertarsi poi di avere abbassato completamente la leva dell'aria.
  - Alle basse temperature, o quando il motore è freddo, abbassare sempre lentamente la leva dell'aria. In caso contrario, il motore potrebbe spegnersi.
- (8) Afferrare l'impugnatura di controllo (la leva di sblocco si rilascia quando si afferra l'impugnatura), e schiacciare il grilletto dell'acceleratore per l'operazione di riscaldamento. Continuare l'operazione di riscaldamento per 2 o 3 minuti.
- (9) L'operazione di riscaldamento è completa quando le rotazioni del motore si stabilizzano e il motore accelera scorrevolmente dalla bassa all'alta velocità con l'azionamento dell'acceleratore.



#### NOTA:

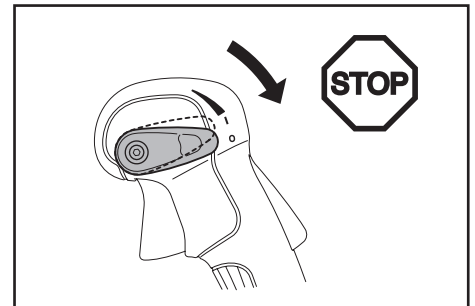
- Spostando la leva dell'aria oltre la posizione "CLOSE" si potrebbe danneggiare il motore.
- Se il motore si spegne con un rumore di scoppio, oppure se parte ma si ferma prima dell'azionamento della leva dell'aria, rimetterla sulla posizione "OPEN" e tirare diverse volte la maniglia di avviamento per riavviare il motore.
- Se si continua a tirare diverse volte la maniglia di avviamento lasciando la leva dell'aria sulla posizione "CLOSE", il motore potrebbe avere difficoltà ad avviarsi a causa di una aspirazione eccessiva di carburante.
- Nel caso di un ingolfamento, rimuovere la candela e tirare diverse volte rapidamente la maniglia per scaricare l'eccesso di carburante. Asciugare gli elettrodi della candela.
- Se la valvola a farfalla non torna su una posizione di contatto con la vite di regolazione del minimo, anche se il grilletto acceleratore è regolato per la bassa velocità, correggere lo stato di aggancio del cavo di controllo per assicurare il corretto ritorno della valvola.

#### 2) Quando il motore è caldo (avviamento a caldo)

- (1) Mettere il motore su una superficie piana.
- (2) Premere diverse volte la pompa di adescamento.
- (3) Accertarsi che la leva dell'aria sia abbassata.
- (4) Tenere con la mano sinistra il coperchio del filtro dell'aria per evitare che il motore si sposti, e assumere una posizione stabile.
- (5) Tirare lentamente la maniglia di avviamento finché si sente la compressione. Tirarla poi con forza.
- (6) Se il motore ha difficoltà ad avviarsi, aprire di 1/3 la valvola a farfalla.

## 2. Arresto

- 1) Rilasciare il grilletto acceleratore per ridurre la velocità del motore, e mettere la leva di controllo arresto sulla posizione "O".



## REGOLAZIONE DELLA VELOCITÀ DEL MINIMO

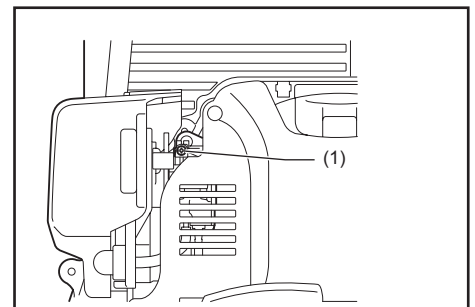
#### ⚠ PERICOLO:

- La regolazione del carburatore viene completata in fabbrica al momento della spedizione. Non eseguire alcun'altra regolazione diversa da quella del minimo. Se la regolazione è necessaria, rivolgersi a un Centro di Assistenza autorizzato.

#### Controllo della velocità del minimo

Regolare la rotazione della velocità del minimo a 2.800 min<sup>-1</sup>.

- Se è necessario cambiare la velocità di rotazione, regolare la vite di regolazione (1) con un cacciavite a croce.
- Girare la vite di regolazione a destra per aumentare le rotazioni del motore. Girare la vite di regolazione a sinistra per ridurre le rotazioni del motore.



## METODO OPERATIVO

### Installazione del filtro

Questo atomizzatore è provvisto di filtri nell'apertura del serbatoio della soluzione e nella testa d'ingresso del tubo.

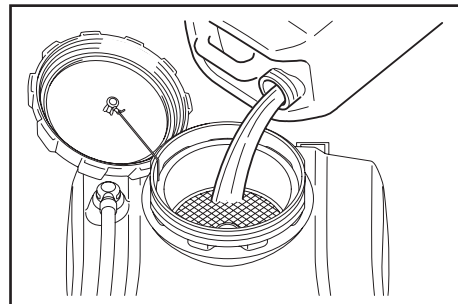
Accertarsi sempre che i filtri siano installati in posizione.

Per installare il filtro, spingerlo in posizione.

Per rimuovere il filtro, toglierlo via.

#### ⚠ AVVERTIMENTO:

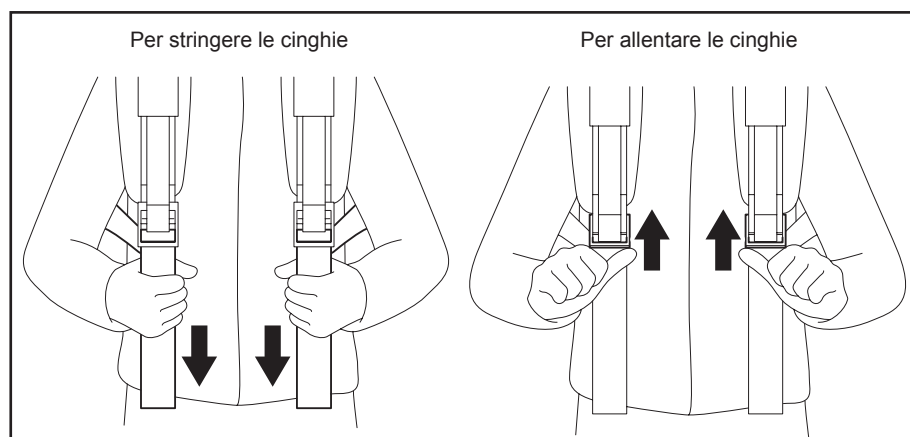
- Stringere saldamente il tappo del serbatoio. Se il tappo non viene stretto saldamente, si potrebbe verificare una perdita di soluzione, una riduzione della pressione, e altri problemi simili.



### Regolazione delle cinghie da spalla

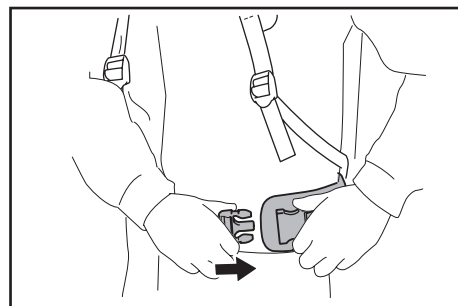
Regolare le cinghie da spalla alla lunghezza comoda per lavorare trasportando l'atomizzatore.

Regolare come mostrato nella illustrazione.



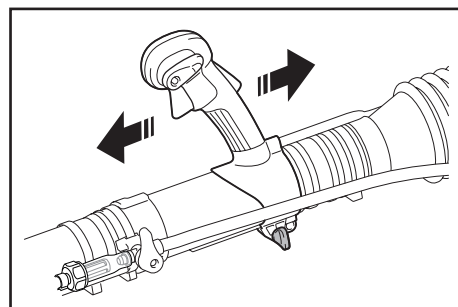
### Cinghia per la vita (accessorio opzionale)

La cinghia per la vita (accessorio opzionale) permette all'operatore di trasportare la macchina in modo più stabile.



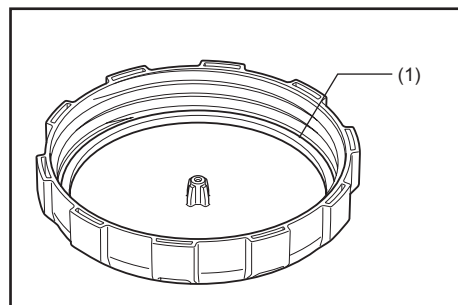
### Regolazione dell'impugnatura di controllo

Spostare l'impugnatura di controllo lungo il tubo girevole sulla posizione più comoda.

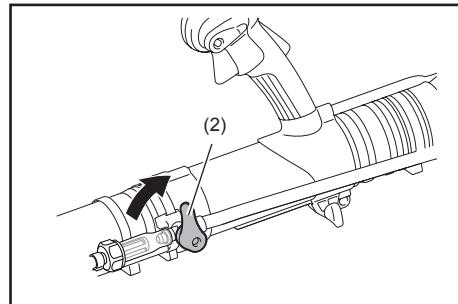


### Riempimento del serbatoio della soluzione

1. Mantenere la guarnizione (1) in buone condizioni, lubrificarla con grasso e pulirla.
2. Mettere l'atomizzatore su una superficie piana.



3. Prima di riempire il serbatoio della soluzione, accertarsi che la leva di spruzzatura soluzione (2) sia chiusa.

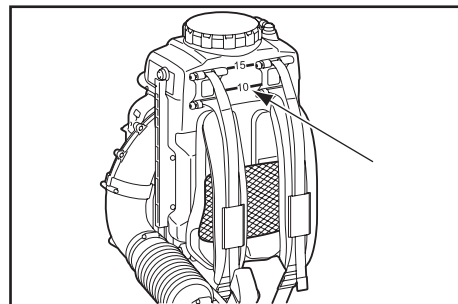


4. Il serbatoio della soluzione può contenere fino a 15 litri di soluzione.

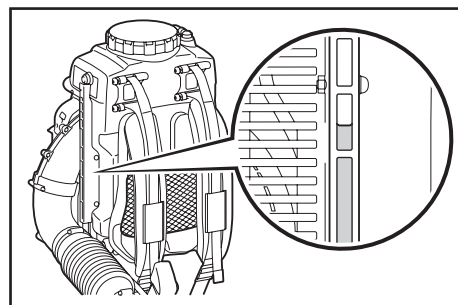
Quando il serbatoio è pieno, il peso totale, compresa la soluzione, è di circa 30 kg. Versare una quantità di soluzione in modo che l'atomizzatore con la soluzione nel serbatoio non sia eccessivamente pesante, e che possa essere sopportato dall'operatore.

Versando 10 litri di soluzione (e cioè quando il livello della soluzione versata indica il segno di 10 litri sul fianco del serbatoio), il peso totale del prodotto è di circa 25 kg.

Si consiglia di non superare il peso totale di 30 kg per gli uomini, e di 25 kg per le donne.

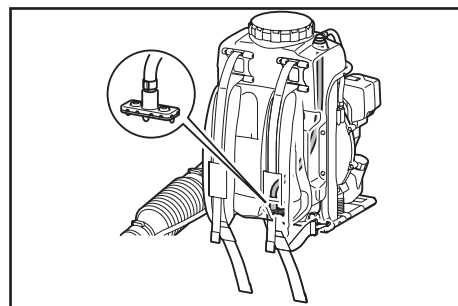


Usare l'indicatore di livello della soluzione nel tubo sul fianco dell'atomizzatore come guida per controllare il livello della soluzione nel serbatoio.



### Funzione di miscelazione della soluzione

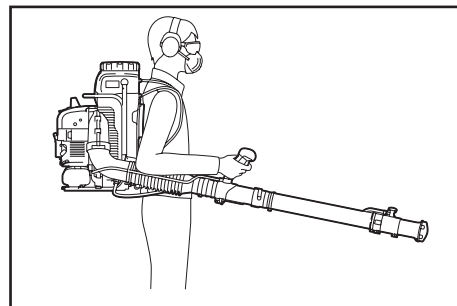
Il dispositivo di miscelazione della soluzione all'interno del serbatoio della soluzione permette di miscelare la soluzione con le bolle d'aria che ne escono durante l'operazione di spruzzatura.



## Funzionamento dell'atomizzatore

Per aumentare la velocità del motore, afferrare l'impugnatura di controllo (la leva di sblocco si rilascia quando si afferra l'impugnatura), e schiacciare il grilletto dell'acceleratore.

La pressione sul grilletto dell'acceleratore controlla la velocità del motore.



La posizione della leva di controllo arresto può restringere l'angolo del grilletto dell'acceleratore.

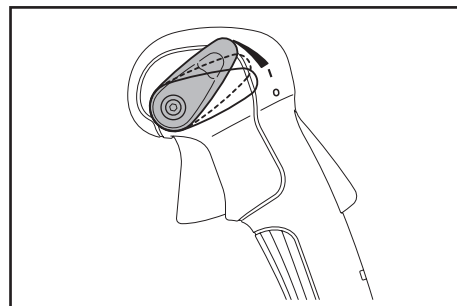
La leva di controllo arresto ha quattro posizioni. "O" (arresto motore), "I", e due posizioni di riduzione dell'angolo del grilletto dell'acceleratore.

La posizione "I" non riduce la velocità del motore (il grilletto dell'acceleratore può essere schiacciato completamente).

L'angolo del grilletto dell'acceleratore si riduce di un passo sopra la posizione "I".

L'angolo del grilletto dell'acceleratore si riduce maggiormente quando si sposta la leva di controllo arresto di un altro passo sopra la posizione "I".

Regolare la velocità appropriata del motore secondo il luogo e le condizioni di lavoro durante le varie operazioni.

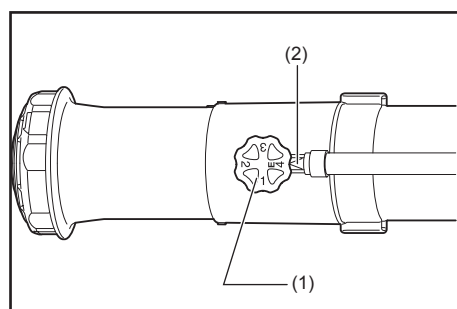
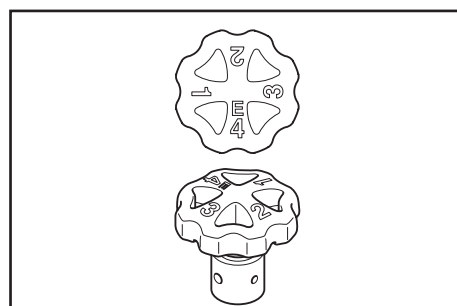


## Manopola di regolazione liquido

Le manopole di regolazione del liquido permettono un'ampia gamma di velocità di spruzzatura.

### Regolazione della velocità di spruzzatura

Girare la manopola di regolazione liquido (1) sull'ugello secondario per ottenere la velocità di spruzzatura desiderata, in modo che il numero sulla manopola di regolazione liquido sia allineato sul segno del triangolo (2).



### Velocità di spruzzatura

Spruzzare tenendo il tubo dritto dall'angolo di 0 gradi a meno gradi in orizzontale.

Posizione della manopola	Velocità di spruzzatura (L/min) (valore medio)
1	0,36
2	1,0
3	1,6
4	2,5

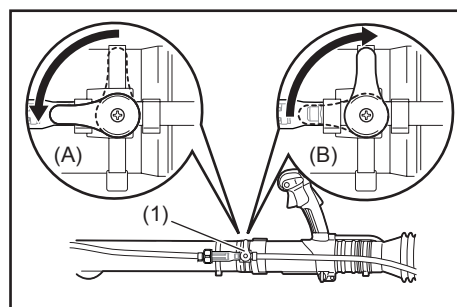
### NOTA:

- Usare i numeri mostrati nella tabella sopra come guida per il lavoro, ed essi possono essere cambiati secondo la densità della soluzione chimica usata nel serbatoio della soluzione.

## Leva di spruzzatura soluzione

Per avviare l'alimentazione della soluzione (A), girare la leva di spruzzatura soluzione (1) orizzontalmente sul tubo.

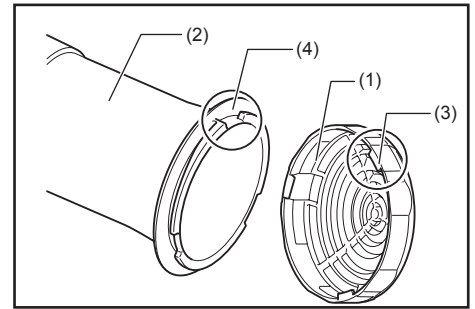
Per arrestare l'alimentazione della soluzione (B), girare la leva di spruzzatura soluzione verticalmente sul tubo.



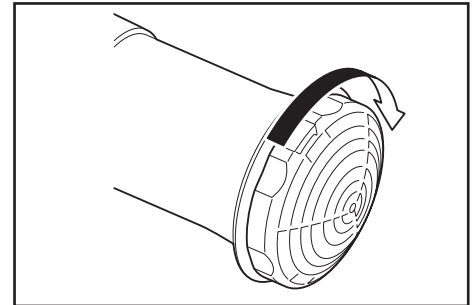


## Installazione e rimozione del coperchio di dispersione

Per installare il coperchio di dispersione (1), montare il coperchio di dispersione sopra l'ugello (2) in modo che la sua sporgenza (3) sia allineata sulla tacca (4) sulla parte superiore dell'ugello.



Fissare il coperchio di dispersione girandolo completamente in senso orario.



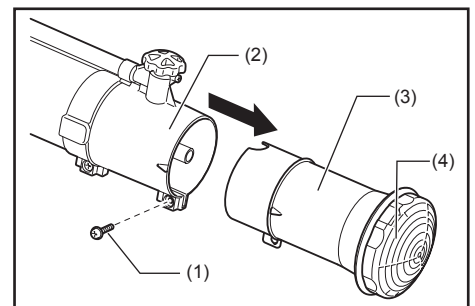
Per rimuovere il coperchio di dispersione, seguire alla rovescia il procedimento sopra.

## Cambiamento dell'ugello su una piccola quantità di spruzzatura della soluzione (accessorio opzionale)

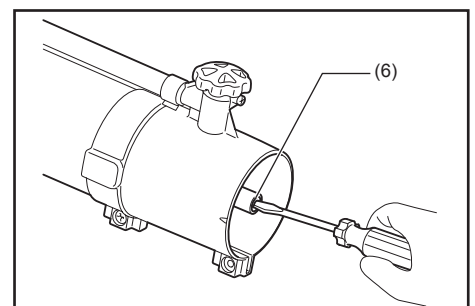
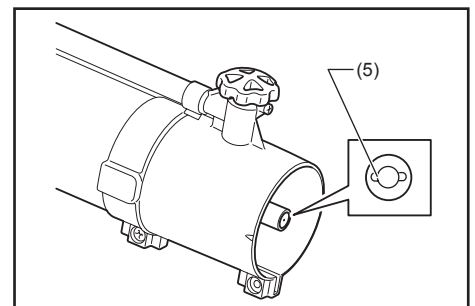
Se è necessario spruzzare una piccola quantità di soluzione, sostituire il tappo dell'ugello con un altro tappo fornito con un piccolo foro di spruzzatura.

Per sostituire l'ugello, seguire il procedimento sotto.

1. Togliere la vite (1) dal secondo ugello (2), e rimuovere poi l'ugello superiore (3) e il coperchio di dispersione (4).



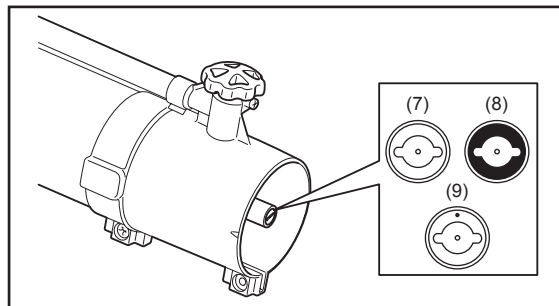
2. Inserire un cacciavite piatto nella fessura (5) sulla parte superiore dell'ugello, e rimuovere il tappo dell'ugello (6) girandolo completamente in senso antiorario.



3. Montare un altro ugello fornito con un piccolo foro di spruzzatura.

**NOTA:**

- Scegliere un ugello giusto tra i due seguenti, secondo il tipo (viscosità) del prodotto chimico usato.



Tipo di ugello	Viscosità del prodotto chimico	Esempio di prodotto chimico	Velocità di spruzzatura (L/min) *1
Ugello in alluminio (colore argento) (7) *2	Alta	MALATHION (miscelare l'olio.)	0,14
Ugello in ottone (colore oro) (8) *2	Bassa	Aqua K-Othrine (miscelare l'acqua.)	0,075
Ugello in ottone con segno di punzonatura (colore oro) (9) *2	Bassa	Cipermetrinato (miscelare l'acqua.)	0,060

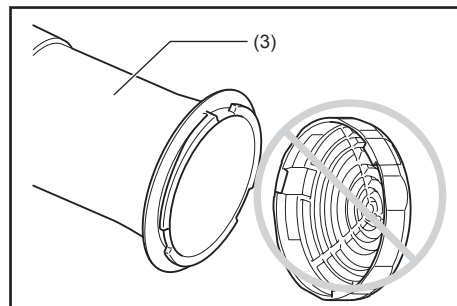
**Nota 1:** La velocità di spruzzatura mostrata nella tabella è quella dell'acqua usata soltanto come linea guida. Essa varia secondo il prodotto chimico usato.

**Nota 2:** Il tipo di ugello fornito con l'atomizzatore varia da Paese a Paese.

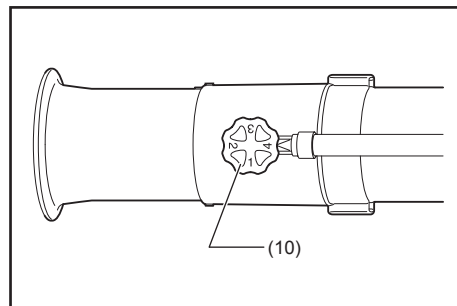
4. Montare l'ugello superiore (3) e fissarlo con la vite (1).

**NOTA:**

- Quando si usa un ugello sopra per una piccola quantità di spruzzatura della soluzione, non montare il coperchio di dispersione (4), e riporlo in modo che non vada perso.



5. Regolare la manopola (10) sulla posizione 4.



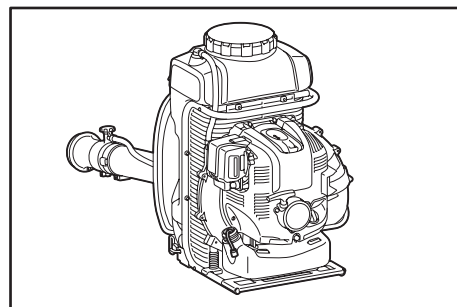
**TRASPORTO DELL'ATOMIZZATORE**

Tenere sempre l'atomizzatore in posizione verticale quando lo si trasporta o lo si deposita.

Se lo si trasporta o deposita in una posizione che non è verticale, l'olio potrebbe entrare nel motore dell'atomizzatore. Ciò potrebbe causare perdite d'olio e fumo bianco, per l'olio che brucia, e il filtro dell'aria potrebbe sporcarsi d'olio.

**⚠ PERICOLO:**

- Spegnerne sempre il motore prima del trasporto o deposito dell'atomizzatore.



## Svuotamento e pulizia del serbatoio della soluzione

### ⚠ AVVERTIMENTO:

- Indossare sempre guanti di gomma/resistenti alle sostanze chimiche quando si svuota e pulisce il serbatoio della soluzione.

### Svuotamento del serbatoio della soluzione

#### ⚠ AVVERTIMENTO:

- Non si deve mai gettare il prodotto chimico, o l'acqua di risciacquo, aprendo il tappo sulla parte inferiore del serbatoio della soluzione.
- Prima e dopo lo svuotamento, accertarsi che la leva di spruzzatura soluzione sia chiusa.
- Se nel serbatoio della soluzione è ancora rimasta della soluzione chimica dopo che si è usato il metodo specificato nel manuale di istruzioni, inclinare la macchina verso il lato del tubo per versare fuori tutta la soluzione rimasta.

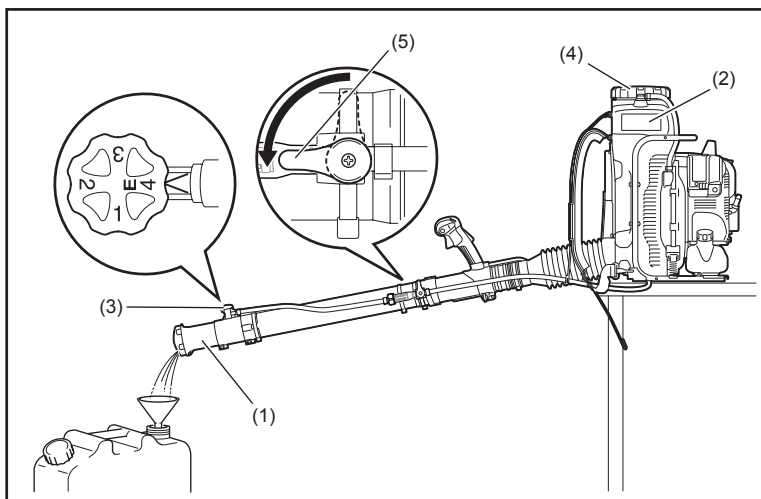
1. Mettere l'atomizzatore su una superficie stabile. Posizionare l'ugello (1) più basso della parte inferiore del serbatoio della soluzione (2), e mettere un contenitore di raccolta sotto di esso.

2. Mettere la manopola (3) sulla posizione E.

3. Aprire leggermente il tappo del serbatoio soluzione (4) per rilasciare la pressione del serbatoio.

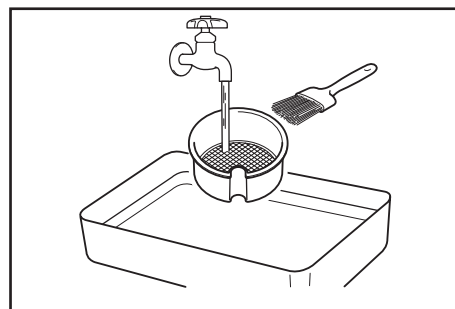
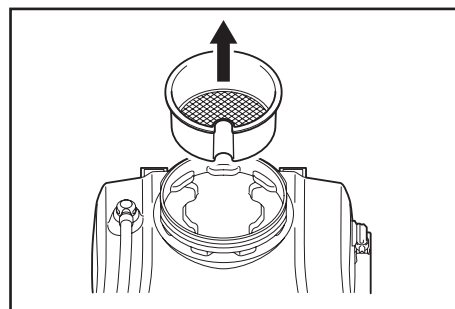
4. Aprire la leva di spruzzatura soluzione (5). La soluzione chimica viene scaricata dall'ugello.

5. Pulire l'interno del serbatoio con acqua.



### Pulizia del filtro del serbatoio della soluzione

Togliere il tappo del serbatoio, estrarre il filtro dall'interno del serbatoio e pulirlo dopo l'uso.

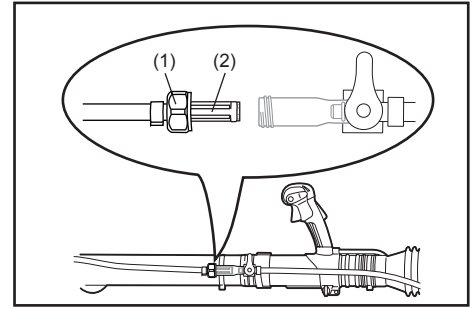


## Pulizia del giunto del tubo

### ⚠ AVVERTIMENTO:

- Non rimuovere la bandella del tubo, il tubo o il tappo quando la leva di spruzzatura soluzione è aperta.
- Non allentare il tappo quando la leva di spruzzatura soluzione è aperta.

1. Allentare e rimuovere il tappo (1) che viene fuori con il filtro (2).
2. Togliere via dal filtro polvere e particelle.
3. Rimettere il filtro nella sua posizione originale. Accertarsi di stringere saldamente il tappo.



## ISPEZIONE E MANUTENZIONE

### ⚠ PERICOLO:

- Prima dell'ispezione e della manutenzione, spegnere il motore e lasciare che si raffreddi. Rimuovere anche la candela e il cappello della candela.
  - Se l'operatore cerca di eseguire l'ispezione o la manutenzione immediatamente dopo l'arresto del motore o con il cappello della candela ancora attaccato, potrebbe subire una bruciatura o un incidente per un avviamento sbadato.
- Dopo l'ispezione e la manutenzione, accertarsi che tutte le parti siano state rimontate correttamente. Procedere poi con il lavoro.
- Per l'ispezione e la manutenzione bisogna sempre indossare guanti di gomma/resistenti ai prodotti chimici.

### AVVISO:

- Non si devono mai usare benzina, benzolo, solventi, alcol o sostanze simili. Si potrebbero causare scolorimenti, deformazioni o crepe.

## Sostituzione dell'olio motore

L'olio motore contaminato riduce notevolmente la vita di servizio delle parti mobili e rotanti. Controllare il periodo e la quantità di sostituzione.

### ⚠ PERICOLO:

- Generalmente, l'unità principale del motore e l'olio motore rimangono ancora caldi subito dopo lo spegnimento del motore. Prima di cambiare l'olio, accertarsi che l'unità principale del motore e l'olio motore si siano raffreddati sufficientemente. Potrebbe altrimenti rimanere un rischio di bruciature. Inoltre, subito dopo lo spegnimento del motore tutto l'olio potrebbe non tornare nel basamento. Il livello dell'olio non va controllato subito dopo lo spegnimento del motore.
- Se si rabbocca l'olio oltre il limite, potrebbe contaminarsi o prendere fuoco producendo fumo bianco.

**Intervallo di sostituzione:** Inizialmente, dopo ogni 20 ore di lavoro e, in seguito, dopo ogni 50 ore di lavoro  
**Olio consigliato:** Olio SAE 10W-30 di gradi API, classe SF o superiore (olio motore a 4-tempi per automobili)

## Procedimento di sostituzione dell'olio

1. Sistemare l'atomizzatore su una superficie piana.
2. Mettere un contenitore dell'olio di scarto sotto il foro di scarico (1), per raccogliere l'olio che scola.  
Il contenitore deve avere una capacità di almeno 220 ml, per poter raccogliere tutto l'olio.
3. Svitare il bullone di scarico olio (2) per far scolare l'olio. Fare attenzione che l'olio non finisca nel serbatoio del carburante o altre parti.

### ⚠ ATTENZIONE:

- Fare attenzione a non perdere la guarnizione (rondella in alluminio) (3). Mettere il bullone di scarico olio (2) dove non si sporchi.

4. Togliere il tappo dell'olio (4). (Rimuovendo il tappo dell'olio (4) si facilita lo scarico dell'olio.)

### ⚠ ATTENZIONE:

- Accertarsi di non mettere il tappo dell'olio (4) dove si potrebbe sporcare.

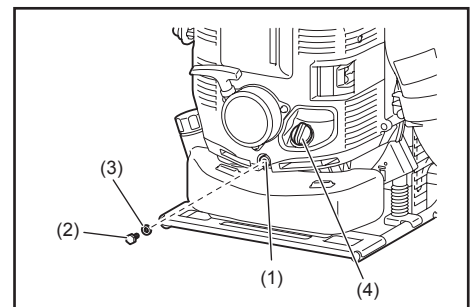
5. Con il calare del livello dell'olio che scola, inclinare l'atomizzatore sul lato dello scolo in modo che l'olio esca completamente.
6. Al completamento dello scolamento dell'olio, stringere saldamente il bullone di scarico dell'olio (2). Se non si stringe saldamente il bullone, si potrebbe verificare una perdita d'olio.

### ⚠ ATTENZIONE:

- Non dimenticare di rimettere la guarnizione (rondella in alluminio) (3) in posizione quando si riattacca il tappo di scarico.

7. Il rabbocco dell'olio durante la procedura di cambio dell'olio va effettuato allo stesso modo della procedura spiegata separatamente per il rabbocco dell'olio, ogni qualvolta che il livello è insufficiente. Rabboccare sempre l'olio dall'apertura sotto il tappo dell'olio.  
(Livello specificato: 220 ml circa)

8. Dopo il rabbocco dell'olio, stringere saldamente il tappo dell'olio (4) per evitare perdite d'olio.



## Punti per la sostituzione dell'olio motore

- Non bisogna mai disfarsi dell'olio motore nella spazzatura, per terra o in un canale di scolo. Lo smaltimento dell'olio è regolato dalla legge. Per lo smaltimento, osservare sempre le leggi e norme in vigore. Per un qualsiasi punto non chiaro, rivolgersi a un Centro di Assistenza autorizzato.
- L'olio si deteriora anche se non viene usato. Eseguire l'ispezione e la sostituzione a intervalli regolari (sostituire con olio nuovo ogni 6 mesi).

## Pulizia del filtro dell'aria

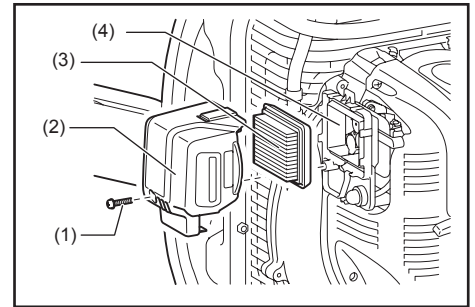
**⚠ AVVERTIMENTO:** GLI INFIAMMABILI SONO RIGOROSAMENTE VIETATI

Intervallo di pulizia e di ispezione: Giornaliero (dopo ogni 10 ore di lavoro)

1. Allentare il bullone manopola (1).
2. Togliere il coperchio del filtro dell'aria (2).
3. Estrarre l'elemento (3) e togliere tutto lo sporco con una spazzola.

### NOTA:

- L'elemento è del tipo asciutto, per cui non va bagnato. Mai lavarlo con acqua.
4. Sostituire l'elemento con uno nuovo se è danneggiato o molto sporco.
  5. Togliere con uno straccio o panno ogni traccia d'olio che è venuta a contatto con il filtro.
  6. Installare l'elemento nella scatola del filtro (4).
  7. Attaccare il coperchio del filtro dell'aria, e stringere il bullone manopola.



### ⚠ PERICOLO:

- Pulire diverse volte al giorno l'elemento, se diventa eccessivamente sporco.
- Se si continua a lavorare con l'elemento che non è stato pulito, l'olio su di esso potrebbe cadere all'esterno contaminando l'olio.

## Controllo della candela

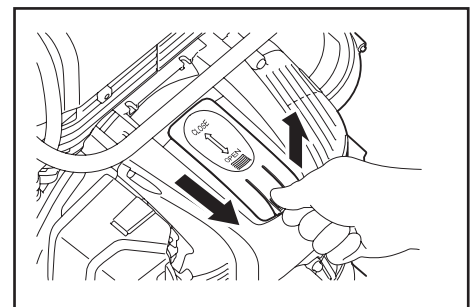
### ⚠ ATTENZIONE:

- Quando si rimuove la candela, pulire prima la candela e la testa del cilindro in modo che nel cilindro non entri sporco, sabbia, ecc.
- La candela deve essere rimossa dopo che il motore si è raffreddato, per evitare di danneggiare il foro filettato nel cilindro.
- La candela deve essere installata correttamente nel foro filettato. Installandola storta si potrebbe danneggiare il cilindro.

#### 1. Apertura/chiusura del coperchio della candela

Per aprire il coperchio della candela, tirar su la linea di giunzione della sporgenza del coperchio della candela e spingere nella direzione della indicazione "OPEN", come mostrato nella illustrazione a destra.

Per chiudere il coperchio, spingerlo nella direzione "CLOSE" finché lo scatto sotto la sporgenza del coperchio della candela viene a trovarsi sopra il coperchio del motore. Spingere poi dentro la sporgenza.



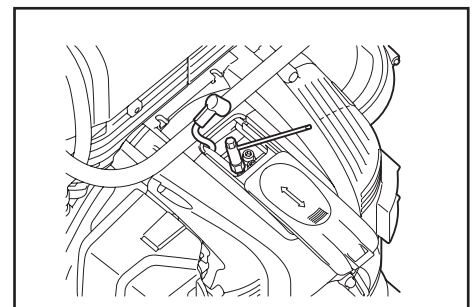
#### 2. Rimozione della candela

Per rimuovere o installare la candela, usare la chiave a bussola in dotazione.

#### 3. Controllo della candela

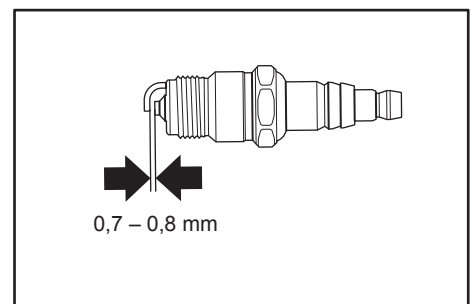
La distanza tra i due elettrodi (vedere l'illustrazione) è da 0,7 a 0,8 mm. Regolare la distanza corretta se è troppo ampia o stretta.

Pulire completamente o sostituire la candela se ci sono accumulazioni carboniose o se è contaminata.



#### 4. Sostituzione della candela

Per la sostituzione, usare una candela NGK-CMR6A.

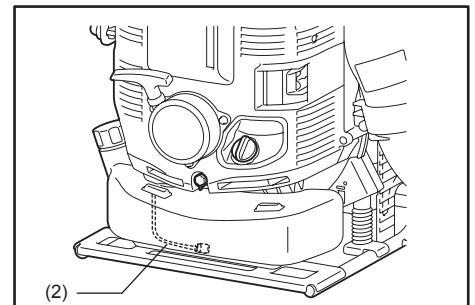
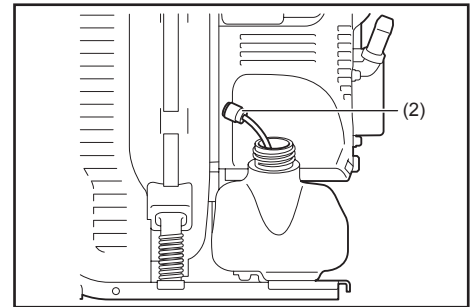
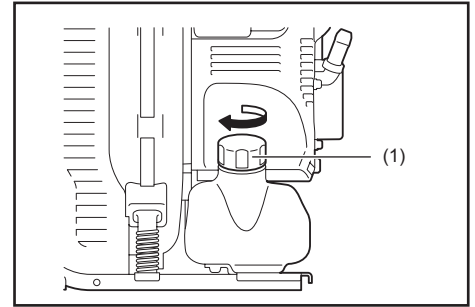


## Pulizia del filtro del carburante

- Se il filtro è intasato, può causare una difficoltà di avviamento del motore o una mancata accelerazione del motore.
  - Controllare regolarmente il filtro del carburante come segue:
1. Togliere il tappo del serbatoio del carburante (1), e scaricare il carburante per vuotare il serbatoio. Controllare che all'interno del serbatoio non ci siano sostanze estranee. Toglietele se ci sono.
  2. Tirar fuori il filtro del carburante (2) con un fil di ferro attraverso l'apertura di rifornimento del carburante.
  3. Se la superficie del filtro del carburante è contaminata, pulirla con benzina. La benzina inquinata deve essere smaltita con il metodo specificato dalle autorità locali.  
Il filtro deve essere sostituito se è eccessivamente sporco.
  4. Rimettere il filtro nel serbatoio del carburante e stringere saldamente il tappo del serbatoio del carburante.

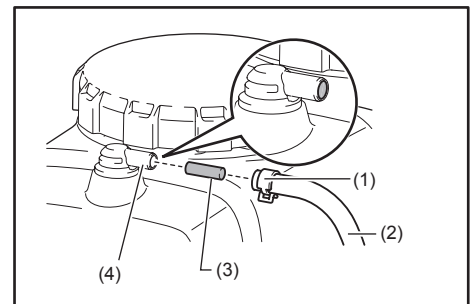
### NOTA:

- Quando si rimette il filtro nel serbatoio, bisogna rimetterlo nella posizione mostrata nella illustrazione.  
Per la sostituzione, rivolgersi al Centro di Assistenza autorizzato.



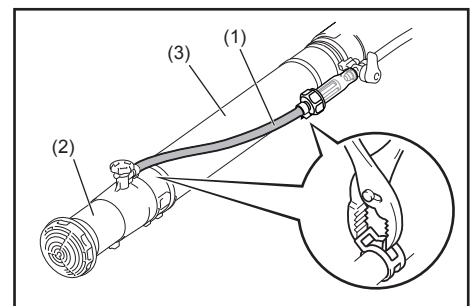
## Pulizia dell'elemento del filtro del tubo giunto

1. Rimuovere la bandella del tubo (1) e il tubo (2).
2. Tirar fuori l'elemento (3) e togliere tutto lo sporco con uno spazzolino.  
Se si ha difficoltà a estrarre l'elemento, usare una asticciola sottile per estrarlo.
3. Sostituire l'elemento con uno nuovo se è danneggiato o molto sporco.
4. Premere l'elemento nel tubo giunto (4) finché la coda dell'elemento è a paro con l'estremità della sua apertura.
5. Installare il tubo e fissarlo con una bandella tubo.



## Sostituzione del tubo della soluzione

- Controllare frequentemente il tubo della soluzione (1). Se il tubo è danneggiato, potrebbe causare una perdita della soluzione chimica. Sostituire il tubo come segue, se necessario.
1. Rimuovere l'ugello (2) dal tubo (3).
  2. Allentare la bandella dal tubo, e sostituire il vecchio tubo con quello nuovo.



## Ispezione dei bulloni, dadi e viti

- Stringere di nuovo i bulloni, dadi, ecc., allentati.
- Controllare se ci sono perdite di carburante e olio.
- Per la sicurezza del lavoro, sostituire le parti danneggiate con altre nuove.

## Sostituzione dei dispositivi di tenuta e guarnizioni

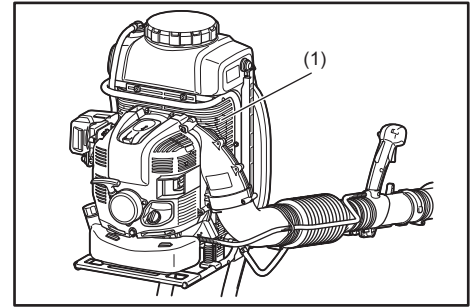
Dopo aver rimontato il motore dopo che è stato smontato, sostituire sempre i dispositivi di tenuta e le guarnizioni con altri nuovi.

## Pulizia delle parti

- Mantenere sempre pulito il motore.
- Tenere le alette del cilindro senza polvere o sporco. La polvere o lo sporco sulle alette causano un grippaggio.
- L'aria viene aspirata dall'apertura d'ingresso dell'aria (1). Se il flusso d'aria cala durante il funzionamento, spegnere il motore e controllare se ci sono ostacoli che bloccano il retino d'ingresso dell'aria.
- Tenere presente che se non si rimuovono tali ostacoli, il motore potrebbe surriscaldarsi e danneggiarsi.

### ⚠ AVVERTIMENTO:

- L'atomizzatore non deve mai essere usato senza il suo retino. Prima di cominciare ogni lavoro, accertarsi che il retino sia in posizione ed esente da danni.



Qualsiasi intervento di regolazione non incluso o descritto in questo manuale deve essere eseguito soltanto da un Centro di Assistenza autorizzato.

## MAGAZZINAGGIO

### Scaricamento del carburante

#### ⚠ AVVERTIMENTO:

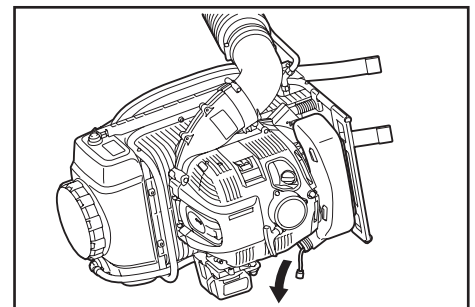
- Prima di scaricare il carburante, accertarsi che il motore sia spento e che si sia raffreddato.
  - Subito dopo l'arresto del motore, potrebbe ancora essere caldo e causare bruciature, infiammabilità o incendio.

#### ⚠ ATTENZIONE:

- Se non si intende usare la macchina per un lungo periodo di tempo, scaricare tutto il carburante dal serbatoio del carburante e carburatore, e tenerlo in un posto asciutto e pulito.

Scaricare il carburante dal serbatoio del carburante e carburatore usando la procedura seguente:

- 1) Togliere il tappo del serbatoio del carburante, e scaricare completamente il carburante.  
Se nel serbatoio del carburante ci sono ancora sostanze estranee, toglierle completamente.
- 2) Estrarre il filtro del carburante dalla apertura di rifornimento usando un fil di ferro.
- 3) Premere la pompa di adescamento finché il carburante viene scaricato da essa, e scaricare il carburante dal serbatoio del carburante.
- 4) Rimettere il filtro nel serbatoio del carburante, e chiudere saldamente il tappo del serbatoio del carburante.
- 5) Continuare poi a far girare il motore finché si arresta.
- 6) Rimuovere la candela e versare diverse gocce d'olio motore nel foro della candela.
- 7) Tirare delicatamente la maniglia di avviamento in modo che l'olio si diffonda nel motore, e attaccare la candela.
- 8) Durante il magazzinaggio, tenere la macchina dritta.
- 9) Tenere il carburante scaricato in un contenitore speciale in un posto ben ventilato.



### Scaricamento del serbatoio della soluzione

#### ⚠ AVVERTIMENTO:

- Prima di svuotare il serbatoio della soluzione, spegnere il motore e accertarsi che si sia raffreddato.
  - Subito dopo l'arresto del motore, potrebbe ancora essere caldo e causare bruciature, infiammabilità o incendio.

Prima di magazzinare l'atomizzatore, svuotare il serbatoio della soluzione secondo le istruzioni della sezione "Svuotamento e pulizia del serbatoio della soluzione".

### Pulizia del filtro sulla parte superiore del serbatoio della soluzione

Prima di magazzinare l'atomizzatore, pulire sempre il filtro sulla parte superiore del serbatoio della soluzione. Per pulire il filtro, vedere la sezione "Svuotamento e pulizia del serbatoio della soluzione".

### Pulizia del filtro sul giunto del tubo

Prima di magazzinare l'atomizzatore, pulire sempre il filtro sul giunto del tubo. Per pulire il filtro, vedere la sezione "Svuotamento e pulizia del serbatoio della soluzione".

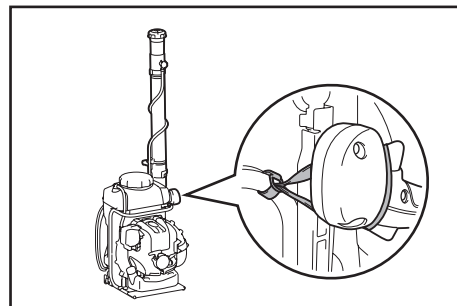
#### ⚠ ATTENZIONE:

- Prima del magazzinaggio dell'atomizzatore, accertarsi di avere spento il motore.

## Fissaggio del tubo diritto con un cinturino fornito

Quando si magazzina l'atomizzatore, fissare il tubo diritto con un cinturino fornito fissato al telaio.

Fissando il tubo in questa posizione si facilita il trasporto dell'unità.



## Intervallo di manutenzione

Voce	Tempo operativo								Spegnimen- to/arresto	Pagina corri- spondente
		Prima del funziona- mento	Dopo la lu- brificazione	Giornaliero (10 ore)	30 ore	50 ore	200 ore			
Olio motore	Controllare	○								90
	Sostituire					○*1				100
Serraggio delle parti (bulloni, dadi)	Controllare	○								102
Filtro del serbatoio soluzione	Controllare	○								99
	Pulire			○						99
Filtro giunto tubo	Controllare	○								100
	Pulire			○						100
Serbatoio carburante	Pulire/ controllare	○								—
	Scaricare il carburante							○*3		103
Grilletto acceleratore	Controllare il funzionamento		○							—
Leva di controllo arresto	Controllare il funzionamento		○							93
Velocità del minimo	Controllare/ regolare			○						93
Filtro aria	Pulire			○						101
Candela	Controllare			○						101
Condotto aria di raffreddamento	Pulire/ controllare			○						103
Tubo carburante	Controllare			○						102
	Sostituire						◎*2			—
Filtro carburante	Pulire/sostituire					○				102
Distanza tra valvola d'ingresso aria e valvola di scarico aria	Regolare						◎*2			—
Tubo olio	Controllare						◎*2			—
Revisione motore							◎*2			—
Carburatore	Scaricare il carburante							○*3		103

\*1 Eseguire la sostituzione iniziale dopo la ventesima ora di funzionamento.

\*2 Per l'ispezione dopo 200 ore di funzionamento, rivolgersi a un Centro di Assistenza autorizzato o a una officina.

\*3 Dopo aver vuotato il serbatoio del carburante, continuare a far funzionare il motore e scaricare il carburante dal carburatore.



## CORREZIONE DEI PROBLEMI

Prima di richiedere una riparazione, eseguire un controllo del problema. Se si trova una qualsiasi anomalia, controllare la macchina secondo la descrizione in questo manuale. Non si deve mai cercare di modificare o smontare una qualsiasi parte in modo contrario alla descrizione. Per le riparazioni, rivolgersi a un Centro di Assistenza autorizzato o al rivenditore locale.

Stato di anomalia	Causa probabile (malfunzionamento)	Rimedio
Il motore non parte.	L'interruttore I-O è posizionato su STOP.	Posizionare l'interruttore I-O su AVVIAMENTO.
	Mancato funzionamento della pompa di adescamento.	Premere da 7 a 10 volte.
	Velocità bassa di tiraggio corda di avviamento.	Tirare con forza.
	Mancanza di carburante.	Alimentare il carburante.
	Posizione scorretta valvola farfalla.	Posizionare su "CLOSE" (avviamento a freddo). Posizionare su "OPEN" (avviamento a caldo).
	Filtro aria intasato.	Pulire.
	Tubo del carburante storto o bloccato.	Raddrizzare o sostituire il tubo del carburante.
	Carburante deteriorato.	Il carburante deteriorato rende più difficile l'avviamento del motore. Sostituire con altro nuovo. (Sostituzione consigliata: 1 mese)
	Aspirazione eccessiva del carburante.	Regolare la leva dell'acceleratore dalla velocità media a quella alta, e tirare la maniglia di avviamento fino alla partenza del motore. Se il motore ancora non parte, rimuovere la candela, asciugare gli elettrodi e rimontarli come erano all'origine. Avviare poi come specificato.
	Cappello candela staccato.	Attacare saldamente.
	Candela contaminata.	Pulire.
	Distanza anormale della candela.	Regolare la distanza.
	Anomalia della candela.	Sostituire.
	Carburatore anormale.	Richiedere l'ispezione e la manutenzione.
	Il motore si ferma subito. Il motore non acquista velocità.	La corda di avviamento non può essere tirata o non si sente compressione.
Sistema di avviamento/elettrico anormale. (Interruttore I-O difettoso, difetto di allacciamento elettrico, guasto del connettore, ecc.).		Richiedere l'ispezione e la manutenzione.
Riscaldamento insufficiente.		Eeguire l'operazione di riscaldamento.
La leva aria è posizionata su "CLOSE" anche se il motore è caldo.		Posizionarla su "OPEN".
Velocità del minimo bassa.		Regolare la velocità del minimo.
Filtro aria intasato.		Pulire.
Filtro dell'aria intasato o contaminato.		Pulire.
Carburatore anormale.		Richiedere l'ispezione e la manutenzione.
Marmitta di scarico difettosa (intasata, ecc.).		Richiedere l'ispezione e la manutenzione.
Il motore non si ferma. ↓ Far funzionare il motore al minimo, e posizionare la leva aria su "CLOSE".	Sistema di avviamento/elettrico anormale.	Richiedere l'ispezione e la manutenzione.
	Filo dell'acceleratore staccato.	Attacare saldamente.
	Connettore staccato.	Attacare saldamente.

Se il motore non parte dopo l'operazione di riscaldamento:

Se non si riscontra alcuna anomalia nei punti controllati, aprire di circa 1/3 la valvola a farfalla e avviare il motore.

Hartelijk dank voor uw keuze van de DOLMAR mistblazer met benzinemotor. Wij zijn er zeker van dat de DOLMAR mistblazer u zal bevallen, daar deze het resultaat is van een jarenlang ontwikkelingsprogramma op basis van onze brede kennis en ervaring.

Deze mistblazer koppelt de voordelen van de laatste technische vindingen aan een uitgekiend ergonomisch ontwerp. Het is een handig, compact apparaat en staat klaar voor professionele inzet in tal van verschillende werkzaamheden.

**Lees, begrijp en volg de instructies in deze handleiding, om tot in de details volledig gebruik te maken van de prima prestaties die dit apparaat biedt. Dit garandeert u een optimaal veilige en doeltreffende werking van uw DOLMAR mistblazer.**



**Inhoudsopgave**

	<b>Pagina</b>
Symbolen.....	106
Belangrijke veiligheidsvoorschriften .....	107
Technische gegevens .....	113
Benaming van de onderdelen.....	114
Montage-aanwijzingen.....	115
Alvorens de motor te starten .....	116
Starten en stoppen van de motor .....	118
Stationair-toerental regelen .....	119
Bedieningsmethode.....	120
Inspectie en onderhoud .....	126
Opslag .....	129
Storingen verhelpen .....	131

**SYMBOLEN**

Het is erg belangrijk dat u de volgende symbolen herkent en begrijpt wanneer u deze gebruiksaanwijzing doorleest.

	WAARSCHUWING/GEVAAR		Draag altijd ademhalingsbescherming
	Lees de gebruiksaanwijzing totdat u alles begrijpt en volg de aanwijzingen		Hete delen – Brandgevaar voor vingers en handen
	Verboden		Brandstof (benzine)
	Niet roken		Handmatige motorstart
	Geen open vuur		Noodstop
	Draag stevig schoeisel met antislipzolen		Eerste hulp
	Draag passende veiligheidskleding		AAN/START
	Draag beschermende handschoenen		UIT/STOP
	Houd omstanders op afstand wanneer u gaat sproeien		Gevaar voor verlies van vingers of hand, door impellerbladen
	Houd uw werkomgeving vrij van personen en dieren		Lang haar kan verstrikt raken en ongelukken veroorzaken
	Draag oog- en oorbescherming		Gifgassen of gevaarlijke dampen Werk niet op slecht geventileerde plaatsen

# BELANGRIJKE VEILIGHEIDSVORSCHRIFTEN

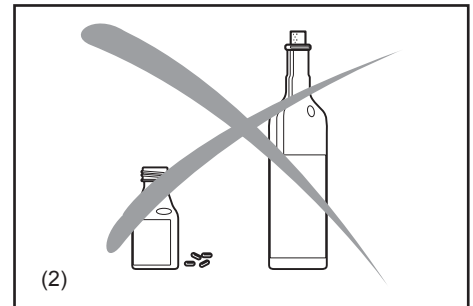
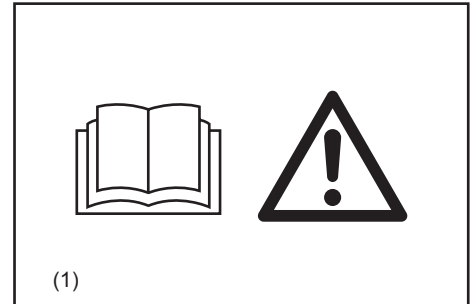
## ⚠ WAARSCHUWING:

- Lees alle veiligheidsvoorschriften en alle aanwijzingen. Veronachtzamen van de waarschuwingen en instructies kan leiden tot een elektrische schok, brand en/of ernstig letsel.

## Bewaar alle veiligheidsvoorschriften en instructies voor latere naslag.

### Algemene aanwijzingen

- Om verzekerd te zijn van een correcte en veilige bediening moet de gebruiker de instructies in deze handleiding lezen, begrijpen en opvolgen om vertrouwd te geraken met de mistblazer (1). Gebruikers die onvoldoende deskundig zijn riskeren ongelukken voor zichzelf en anderen door onjuiste bediening.
- Het is aan te bevelen de mistblazer alleen uit te lenen aan personen die vertrouwd zijn met de werking hiervan.
- Reik altijd de gebruiksaanwijzing over.
- Onervaren gebruikers moeten zich door de dealer laten instrueren in de eerste beginselen voor het correcte gebruik van de mistblazer.
- Kinderen en personen onder de 18 jaar mogen niet werken met de mistblazer. Personen boven de 16 jaar mogen in hun trainingsfase het gereedschap wel bedienen, maar dan alleen onder direct toezicht van een bevoegd instructeur.
- Gebruik de mistblazer altijd met uiterste zorg en waakzaamheid.
- Gebruik de mistblazer enkel wanneer u in goede lichamelijke conditie verkeert.
- Verricht alle werkzaamheden steeds zorgvuldig en nauwgezet. De gebruiker is verantwoordelijk voor de veiligheid van derden.
- Gebruik de mistblazer nooit als u onder de invloed van alcohol of medicijnen bent (2).
- Gebruik het apparaat niet wanneer u zich eigenlijk te moe voelt.
- Bewaar deze instructies voor latere naslag.



### Bedoeld gebruik van het apparaat

- Gebruik het geschikte apparaat. De mistblazer is alleen bestemd voor het sproeien van chemische en andere vloeistoffen voor de wering van onkruid en schadelijke insecten in fruitboomgaarden, bloembedden en groentetuinen, voor bomen, heesters en andere gewassen, zoals koffie, tabaksplanten en katoen. Het apparaat kan ook goede diensten verrichten bij de zorg voor jonge bomen, zoals bijv. de wering van bastkevers en ander ongedierte en plantenziekten. Nooit gebruiken voor enige andere doeleinden.
- Gebruik alleen plantveilige producten die door de fabrikant speciaal zijn aanbevolen voor het gebruik met mistblazers of sproeiers en die voldoen aan alle geldende veiligheidsvoorschriften, normen en wetten.

Vraag uw dealer om nader advies over het gebruik en de bediening van uw mistblazer. Houd u altijd aan alle plaatselijk geldende veiligheidsvoorschriften, normen en wetten.

Alle bedienend en onderhoudspersoneel moeten getraind zijn in en vertrouwd met de juiste omgang met de toegepaste chemicaliën, benevens de eerste hulp bij ongelukken en de voorschriften voor het wegwerpen van chemische vloeistoffen.

## ⚠ WAARSCHUWING:

- Uw mistblazer is alleen voor professioneel gebruik. Verhuur of leen de mistblazer niet uit zonder de gebruiksaanwijzing. Zie er op toe dat iedereen die het apparaat gebruikt de informatie in deze gebruiksaanwijzing kent en begrijpt.

### Beschermende kleding en uitrusting

- Om letsel bij het gebruik van chemische stoffen te vermijden, dient u een geschikte veiligheidsuitrusting te dragen tijdens het vullen, het gebruik en het reinigen van de mistblazer. Neem altijd alle aanwijzingen van de fabrikant van de chemische stoffen in acht voor de juiste bescherming van uw ogen, huid en ademhaling. Die kunnen verschillen van en strikter zijn dan de volgende voorzorgsmaatregelen.
- Bij het gebruik van giftige chemicaliën kan het nodig zijn dat de gebruiker en eventuele omstanders zijn uitgerust met passende ademhalingsapparatuur, goedgekeurd voor de gebruikte chemicaliën. Zie het etiket van de chemische producten. Het inademen van giftige stoffen kan leiden tot ernstig en mogelijk zelfs fataal letsel.
- Draag functionele, goed passende kleding, die redelijk nauwsluitend is zonder u te hinderen in uw bewegingen. Draag geen sieraden zoals kettingen, losse kledingstukken of lang haar dat in de luchtinlaat kan worden gezogen. (3)
- Ter voorkoming van hoofd-, oog-, hand- of voetwondingen en om uw gehoor te beschermen moet u tijdens het gebruik van de mistblazer de volgende beschermende kleding en veiligheidsuitrusting dragen.



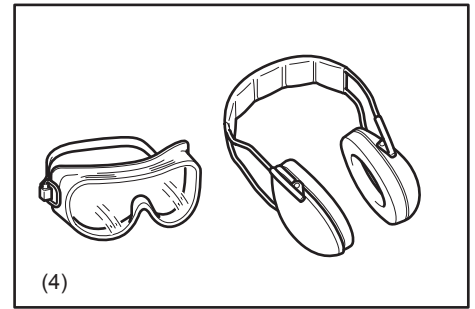
## Neem vooral de volgende voorschriften zorgvuldig in acht

- Kleding moet nauwsluitend en afgekleed zitten, maar moet wel steeds voldoende bewegingsruimte bieden. Vermijd losse jasjes, wijde, gescheurde of omgeslagen broeken, en dassen, shawls of loshangend haar dat in de luchtinlaat gezogen kan worden.

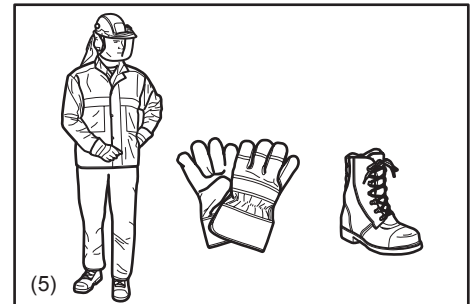
Draag een overall of lange broek om uw benen te beschermen.

Werk niet in korte broek. (5)

- Het lawaai van de mistblazer zou uw gehoor kunnen beschadigen. Draag oorbeschermers (oordoppen of oorkleppen) om uw oren te beschermen. Regelmatige of veelvuldige gebruikers moeten hun gehoor regelmatig laten testen. (4)
- Draag altijd rubber/chemicaliënbestendige handschoenen bij werken met de mistblazer. Zorg vooral dat u stevig staat. Draag rubber/chemicaliënbestendige laarzen. (5)
- Deugdelijke oogbescherming is vereist. Ook al is de uitblaasopening van de gebruiker af gericht, tijdens het gebruik van de mistblazer kan een windstoot de mist doen weerkaatsen of naar u toe blazen. (4)
- Werk nooit met de mistblazer zonder uw ogen te beschermen met een passende veiligheidsbril of een gezichtsmasker met afdoende bescherming van boven en opzij, die voldoet aan de voorschriften van ANSI Z 87.1 (of de plaatselijke veiligheidseisen).



(4)



(5)

## OMGANG MET CHEMICALIËN

- Sommige chemicaliën die u met de mistblazer kunt gebruiken kunnen giftige en/of bijtende stoffen bevatten. Dergelijke chemicaliën kunnen gevaarlijk zijn en ernstig of zelfs fataal letsel voor mens en dier veroorzaken en/of ernstige schade toebrengen aan planten en het milieu.

Vermijd het direct contact met chemicaliën.

Neem de voorschriften van de fabrikant van de chemische stoffen in acht omtrent het lichamenlijk contact met de producten.

- Lees telkens vóór het mengen of gebruik van de chemicaliën het etiket en de gebruiksaanwijzing van de chemicaliën, evenals voor opslag of wegwerpen ervan. Vertrouw niet te veel op uw geheugen.

Onachtzaamheid of vergissingen kunnen ernstig of zelfs fataal letsel veroorzaken.

- Lees voor het gebruik aandachtig elk etiket op de verpakking van de chemicaliën. Chemische stoffen zijn geclassificeerd in categorieën van giftigheid.

Elke categorie heeft een specifieke manier van behandelen.

Maakt u zich vertrouwd met de kenmerken van de betreffende categorie voor elke chemische stof die u gebruikt.

Chemicaliën mogen alleen worden gebruikt door personen die zijn opgeleid in het hanteren ermee en de vereiste maatregelen voor eerste hulp bij ongelukken.

- Chemicaliën kunnen schadelijk zijn voor mens en dier en ook voor het milieu, indien zij ondeskundig worden gebruikt. Bovendien is het niet aanbevolen om bepaalde chemicaliën met giftige, bijtende of corrosieve eigenschappen in uw mistblazer te gebruiken.

- Meng alleen verdelgingsmiddelen die samen toegepast kunnen worden. Bij menging van ongeschikte stoffen kunnen giftige dampen vrijkomen.

Zorg bij het hanteren en het sproeien van chemicaliën dat u steeds handelt volgens de plaatselijk geldende voorschriften, normen en milieuwetgeving. Ga niet sproeien op een dag met veel wind. Ter bescherming van het milieu mag u niet meer gebruiken dan de aanbevolen hoeveelheid – sproei niet meer dan nodig.

Wees vooral voorzichtig wanneer u werkt in de buurt van waterwegen, plassen of meren.

- Open tijdens het sproeien niet te vaak uw mond om iets te eten of te drinken of iets te roken terwijl er chemicaliën in de lucht zijn. Probeer nooit om met uw mond enige buis, mondstuk, pijp of leiding schoon te blazen. Hanteer chemicaliën altijd in een goed-geventileerde ruimte en draag daarbij geschikte beschermende kledij en uitrusting.

Bewaar en vervoer chemicaliën niet samen met etenswaren, dranken of medicijnen en gebruik de verpakking van de chemicaliën nooit om andere stoffen in te bewaren. Giet geen chemische vloeistoffen in andere houders, vooral niet in de opslagmaterialen voor etenswaren en/of dranken.

- In het geval dat u per ongeluk chemicaliën inslikt of dat ze op uw huid of kleding komen, stopt u met werken en raadpleegt u onmiddellijk de instructies van de fabrikant van de chemicaliën.

Als het niet duidelijk is wat u het best kunt doen, neemt u onverwijld contact op met een arts of een vergiftigingsadviesdienst.

Zorg dat u het etiket van het product bij de hand hebt om het te tonen aan of voor te lezen voor de personen die u raadpleegt.

Gemorste chemicaliën dient u onmiddellijk op te ruimen.

Houd u bij het wegdoen van restjes aan de plaatselijk geldende voorschriften en wetten.

- Bewaar chemicaliën altijd buiten het bereik van kinderen, onbevoegden en huisdieren.

Bewaar de chemicaliën wanneer u ze niet gebruikt op een veilige, afgesloten plaats. Volg de aanwijzingen van de fabrikant voor de juiste opslag van de stoffen.

## Toebereiden van chemicaliën

- Volg bij het verdunnen of voorbereiden van chemische vloeistoffen de instructies van de fabrikant.
- Maak altijd net voldoende van de oplossing voor het op handen zijnde werk, zodanig dat er na afloop niets overblijft.
- Meng de chemicaliën strikt aan de hand van de instructies – bij het mengen van onjuiste stoffen kunnen giftige dampen vrijkomen of explosieve mengsels ontstaan.
- Spreek nooit onverdunde chemicaliën.
- Maak de vereiste oplossing en vul de houder daarmee alleen buitenshuis op een goed-geventileerde plaats.
- De gebruiker moet zich goed op de hoogte stellen van de naam van de te gebruiken chemicaliën.

## Opslag

- Laat de te sproeien oplossing niet langer dan een dag in de houder staan.
- Bewaar en vervoer de te sproeien oplossing alleen in daarvoor goedgekeurde containers.
- Bewaar of vervoer de te sproeien oplossing nooit in houders die bestemd zijn voor etenswaren, dranken of veevoeder e.d.
- Bewaar of vervoer de te sproeien oplossing nooit samen met etenswaren, dranken of veevoeder e.d.
- Houd de te sproeien oplossing uit de buurt van kinderen, onbevoegde personen en dieren.
- Bewaar de te sproeien oplossing in een afgesloten ruimte waarvan de toegang met een slot beveiligd is.

## Wegwerpen

Giet nooit de resten van de chemicaliën of vervuilde mengsels in open water, afvoerput of riool, de goten of putten van de openbare weg en dergelijke.

Bij het wegwerpen van vervuilde mengsels dient u zich te houden aan alle plaatselijk geldende voorschriften, normen en wetten.

Houd u strikt aan de veiligheidsvoorschriften van de fabrikant van de chemicaliën.

## Vullen van de houder

- Zorg dat alle aansluitingen stevig vast zitten en controleer of de buizen en de leiding goed zijn aangesloten en in goede staat verkeren. Houd de sproeimiddel-toevoerhendel gesloten.
- Voordat u de mistblazer met chemicaliën gaat gebruiken, vult u die eerst met schoon water om te zien of alles goed gemonteerd is en om te oefenen met het sproeien. Controleer hierbij ook zorgvuldig op lekkage. Wanneer u zich vertrouwd hebt gemaakt met de werking van de mistblazer, kunt u de normale bedieningsprocedures gaan volgen.
- Vul uw mistblazer buitenshuis, op een goed-geventileerde plaats.
- Gebruik geen:
  - licht ontvlambare stoffen in de mistblazer, want die kunnen gevaar voor een explosie opleveren, met kans op ernstig of fataal letsel;
  - bijtende of corrosieve stoffen in de mistblazer, want die kunnen schade aan het apparaat veroorzaken;
  - Vloeistoffen met temperaturen boven 50°C, om het gevaar van brandwonden en schade aan het apparaat te vermijden.

Om de sproeimiddeltank te vullen plaatst u de mistblazer op een egaal horizontaal oppervlak en giet u het mengsel er in, maar alleen bij helder licht en duidelijk zicht. Om het risico van vervuiling van de omgeving te vermijden, dient u goed op te letten de sproeimiddeltank niet overmatig te vullen met de chemische oplossing.

Om het risico van letsel te vermijden, mag u de mistblazer niet vullen terwijl u die op uw rug draagt.

Als u de sproeimiddeltank vult met een slang die van een centrale watertoevoer komt, let u dan op dat het uiteinde van de slang niet in de oplossing hangt, om het risico van terugstromen te voorkomen, d.w.z. de kans dat de chemicaliën in de watertoevoer kunnen worden gezogen als er plotseling een vacuüm zou ontstaan.

Bereken nauwkeurig de juiste hoeveelheid chemische oplossing die nodig is, zodat er na het werk niets resteert in de tank.

Na het bijvullen sluit u de sproeimiddeltankdop en draait u die stevig vast.

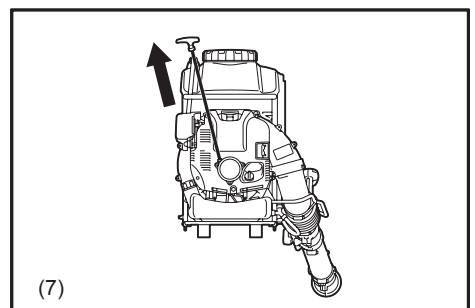
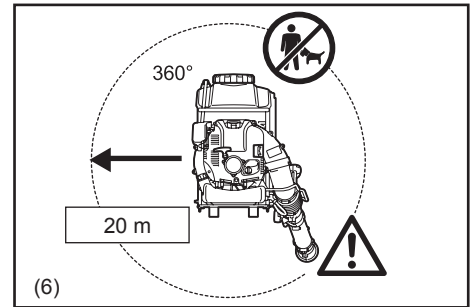
- Controleer tijdens het bijvullen en tijdens gebruik zorgvuldig op lekkage. Lekkage uit de sproeimiddeltank of een losse pakking kan op uw kleding terecht komen en daardoor met uw huid in contact komen.

## Starten van de mistblazer

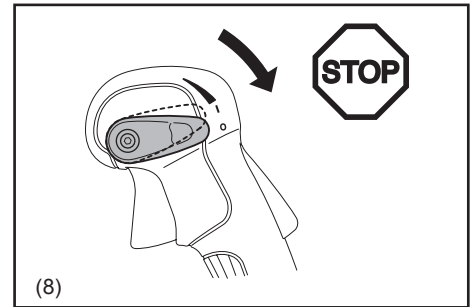
- Let vooral op dat er geen kinderen of andere personen binnen een straal van 20 meter komen (6) en let ook op dat er geen dieren in de buurt van uw werkplek komen.

Gebruik de mistblazer niet in een stedelijk gebied.

- Controleer vóór het werk of de mistblazer geheel veilig is voor gebruik:  
Controleer de veilige werking van de gasgeeftrekker. De gasgeeftrekker moet gecontroleerd worden op een soepele gelijkmatige werking. Controleer ook de juiste werking van de gasgeeftrekker-vergrendeling.  
Controleer of de handgrepen schoon en droog zijn en probeer de werking van de I-O schakelaar uit. Zorg dat de handgrepen vrij zijn van olie en brandstof.
- Om het risico van lekkage en chemicaliën op uw huid te voorkomen, controleer u of de dop van de houder en alle verbindingen in de baan van het sproeimiddel goed afsluiten en zorgt u dat de slang stevig vastzit en in goede staat verkeert. Houd de sproeimiddel-toevoerhendel gesloten.
- Let op dat de sproeimiddel-toevoerhendel gesloten is voordat u het apparaat start.
- Controleer of de bougiedop stevig op de bougie is bevestigd – een losse bougiedop kan vonken doen overspringen, waardoor brandgevaarlijke dampen vlam kunnen vatten en brand veroorzaken.
- Controleer de conditie van de draagbanden en vervang beschadigde of versleten banden.
- Verstel de schouderband op een voor u comfortabele lengte voordat u gaat werken. In noodgevallen kunt u zich snel uit de schouderband losmaken en de machine van u af werpen. Oefen de beweging voor het afdoen van de schouderband enkele malen om er vertrouwd mee te geraken voordat u het apparaat gaat gebruiken. Werp de machine bij de oefeningen niet van u af, want dat kan het apparaat beschadigen.
- Wikkel bij het trekken aan de startgreep niet het startkoord om uw hand. Laat de starthendel niet terugspringen, maar leid het startkoord zo dat het goed opwikkelt. Als u dit veronachtzaamt, kunt u zich de hand of vingers verwonden en kan er schade aan het startmechanisme ontstaan.
- Na het starten kunt u de hulp van iemand anders nodig hebben om de mistblazer op uw rug te plaatsen. Om het risico van letsel voor uw assistent door losse voorwerpen, chemische mist / vloeistof of aanraking hete uitlaatgassen te voorkomen, laat u de motor tijdens dit korte interval even stationair draaien; waarschuwt u uw assistent om niet vlak voor de mist-uitblaasopening of de uitlaat te gaan staan. In andere gevallen kan de mistblazer ook zonder assistentie gestart en bediend worden.
- Start de mistblazer altijd alleen volgens de aanwijzingen.
- Gebruik geen andere methoden voor het starten van de motor (7)!
- Gebruik de mistblazer en de accessoires alleen voor de voorgeschreven doeleinden.
- Start de motor van de mistblazer pas nadat het gehele apparaat compleet gemonteerd is. Bediening van het apparaat is alleen toegestaan nadat alle juiste accessoires er op zijn gemonteerd.
- Zet de motor onmiddellijk af als u enig teken van motorstoring bemerkt.
- U kunt de mistblazer met één hand bedienen met uw rechterhand op de bedieningsgreep. Te dragen als rugzak, met de schouderbanden over beide schouders.  
Om te voorkomen dat u de beheersing over het apparaat verliest, mag u de mistblazer nooit meedragen met de schouderband(en) over één schouder.
- Bij het werken met de mistblazer houdt u altijd uw vingers stevig om de handgreep geklemd en houdt u de bedieningsgreep tussen uw duim en wijsvinger. Houd uw hand in deze stand om het apparaat voortdurend onder controle te houden. Zorg dat de bedieningsgreep in goede staat verkeert en vrij is van vocht, pek, olie of vet.
- Zorg altijd dat u stevig staat, goed in evenwicht.
- Om de sproeimiddeltank goed rechtop te houden en het risico van lekkage te verminderen, mag u zich niet zijwaarts of voorover buigen. Laat u zich door de knieën zakken terwijl u zich zo goed mogelijk ondersteunt om uw evenwicht te bewaren.  
Onthoud dat de mistblazer vol met vloeistof een aanzienlijk gewicht vertegenwoordigt.  
Wees extra voorzichtig met buigen, leunen en gewoon lopen.
- Bedien de mistblazer zodanig dat u de uitlaatgassen niet inademt. Laat het apparaat nooit draaien in een afgesloten ruimte (gevaar voor verstikking of gasvergiftiging).  
Koolmonoxide is een geurloos gas.  
Zorg altijd voor voldoende ventilatie.
- Uw mistblazer is niet geïsoleerd tegen elektrische schokken. Om het risico van elektrocutie te vermijden, mag u deze mistblazer nooit gebruiken in de nabijheid van draden of kabels (hoogspanning e.d.) die onder stroom staan. Ga niet sproeien op of in de buurt van elektrische installaties.

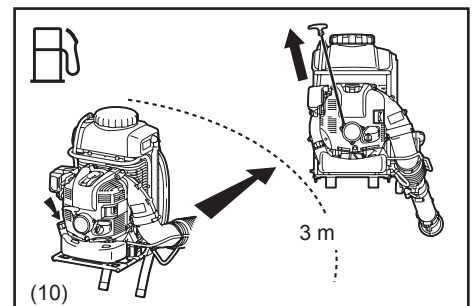
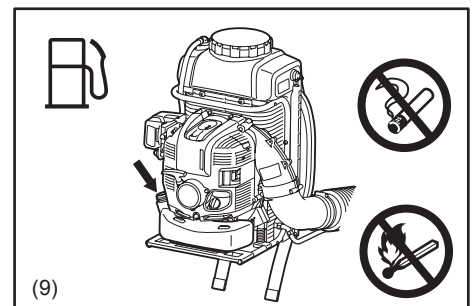


- Schakel de motor uit wanneer u een rustpauze neemt of wanneer u de mistblazer onbeheerd achterlaat. Zet het apparaat op een veilige plaats om risico voor anderen te vermijden, evenals brandgevaar door ontvlambare materialen en gevaar voor schade aan het apparaat (8).
- Leg de mistblazer als die heet is nooit in droog gras of licht ontvlambare materialen.
- Zet de op hoge snelheid draaiende mistblazer niet op de grond, want kleine voorwerpen zoals zand, gras of stof e.d. kunnen in de luchtinlaat gezogen worden, waarna ze het ventilatorwiel kunnen beschadigen.
- Laat tijdens een rustpauze de mistblazer niet in de volle hitte van de zon staan en niet in de buurt van enige warmtebron.
- Tijdens gebruik moeten alle beschermkappen en veiligheidsvoorzieningen die bij het apparaat behoren er op aangebracht zijn.
- Laat de motor niet draaien als er iets mis is met de uitlaatdemper.
- Steek uw hand niet in de uitlaatopening. Tijdens het gebruik kan de uitlaatdemper zo heet worden dat u zich er aan kunt branden.
- Raak niet langdurig het motordeksel aan. Het kan tijdens gebruik erg heet worden en brandwonden veroorzaken.
- Schakel de motor uit voor vervoer van het apparaat (8).
- Zorg dat de mistblazer tijdens vervoer in een auto of vrachtwagen stabiel is neergezet, om brandstoflekkage te voorkomen.
- Voor transport van de mistblazer dient u te zorgen dat de brandstoftank en de vloeistof/sproeimiddeltank helemaal leeg zijn.



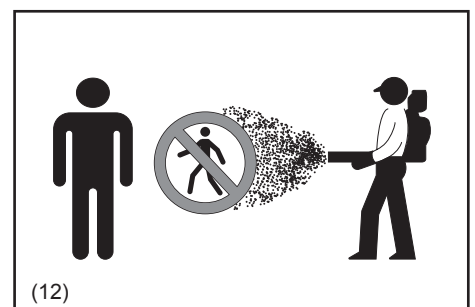
### Brandstof bijvullen

- Schakel de motor (8) uit voor het bijtanken, houd de machine weg bij open vuur (9) en rook beslist niet.
- Voorkom huidcontact met benzine. Adem geen benzinedampen in. Draag altijd beschermende handschoenen bij het tanken. Verwissel regelmatig uw beschermende kleding en reinig die ook regelmatig.
- Vermijd het morsen van benzine of olie om vervuiling van de grond te voorkomen (ter bescherming van het milieu). Veeg gemorste benzine direct af en maak de mistblazer goed schoon. Laat natte lappen opdrogen voordat u ze wegwerpt in een goed sluitende afvalbak, om het gevaar van spontane ontbranding te voorkomen.
- Zorg dat u geen benzine op uw kleding morst. Verkleed u onmiddellijk als er benzine op uw kleding is gemorst (vanwege brandgevaar).
- Controleer regelmatig de brandstoftankdop op lekkage en let op dat de dop goed afsluit.
- Draai de borgschroef van de benzinetankdop stevig vast. Start de motor altijd op een andere plaats (tenminste 3 meter verwijderd) dan de plaats waar u hebt bijgetankt (10).
- Ga nooit bijvullen in een afgesloten ruimte. Benzinedampen vormen zeer brandbare gassen op grondniveau (explosiegevaar).
- Bewaar en vervoer de brandstof alleen in goedgekeurde containers. Zorg dat uw brandstofvoorraad niet toegankelijk is voor kinderen.
- Probeer niet om een nog hete of draaiende motor bij te vullen.



### Bedieningsvoorschriften

- Gebruik de mistblazer alleen bij helder licht en duidelijk zicht. Pas tijdens de koude jaargetijden goed op voor glibberige of natte grond, ijs, sneeuw en ijs (gevaar voor uitglijden). Zorg altijd dat u stevig staat (11).
- Werk nooit op een onstabiele ondergrond of een steile helling (11).
- Als u niet op de hoogte bent van de risico's die zijn verbonden aan het specifieke middel dat u gebruikt, zie dan het etiket en/of het veiligheidsgegevensvel van het product en/of raadpleeg de fabrikant/leverancier van het product. U kunt ook uw werkgever, een overheidsinstantie en andere instanties verzoeken om nadere informatie over gevaarlijke materialen. Bepaalde andere overheden hebben lijsten gepubliceerd met stoffen die bekend staan als kankerverwekkend, giftig voor de voorplanting enz. (11).
- Om gevaar voor letsel te voorkomen, mag u nooit de luchtstroom op omstanders richten, want de hoge luchtdruk kan schadelijk zijn voor de ogen en de krachtige luchtstroom kan gruis e.d. met grote snelheid uitwerpen (12).
- Sproei nooit in de richting van personen of dieren die letsel kunnen oplopen of kwetsbare eigendommen die door het sproeien beschadigd kunnen worden (12).
- Steek nooit enig voorwerp in de luchtinlaat van het apparaat of in de uitblaaspip van de mistblazer. Dat kan de ventilator beschadigen en kan gevaar voor ernstig letsel opleveren zowel voor u als gebruiker als voor omstanders, als het voorwerp of gebroken onderdelen met kracht worden weggeslingerd.
- Let altijd op de windrichting, en werk vooral niet tegen de windrichting in.
- Om gevaar voor struikelen en vallen te voorkomen, mag u nooit in achterwaartse richting lopend met het apparaat werken.
- Schakel de motor altijd uit voordat u het apparaat gaat reinigen of onderhouden of voordat u onderdelen gaat vervangen.
- Neem regelmatig even rust om verlies aan beheersing door vermoeidheid te voorkomen. Wij raden u aan om elk uur een rustpauze van 10 tot 20 minuten in te lassen.

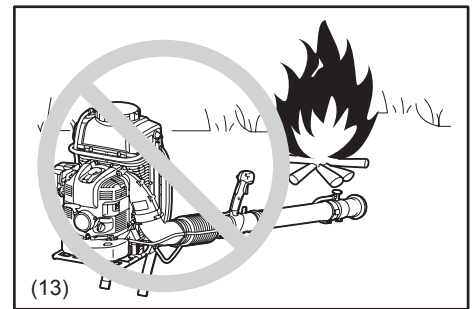


## Na afloop van het werk

- Wast u zich altijd zorgvuldig met water en zeep na het sproeien of hanteren van chemicaliën. Neem direct een douche en was alle beschermende kleding afzonderlijk van uw andere wasgoed.  
Volg alle aanvullende aanbevelingen van de fabrikant van de chemicaliën.  
Maak de mistblazer altijd vrij van stof en vuil.
- Leeg na elk gebruik de sproeimiddeltank, spoel die uit en maak hem goed schoon, samen met de bijbehorende delen. Dit dient om te voorkomen dat het mengsel zou kristalliseren, wat later verstopping en chemische schade aan het apparaat kan veroorzaken. Daarnaast kunnen de chemische resten een ongewenst effect hebben als u later sproeit met een ander soort chemicaliën (zo zouden resten van een onkruidverdelger de planten die u later met een insectenwerend middel besproeit kunnen doden of beschadigen).  
Bewaar de mistblazer niet met resterend sproeimiddel in de sproeimiddeltank.
- Houd kinderen, mensen die er niet bij betrokken zijn en huisdieren uit de buurt van plaatsen waar u zojuist gespreeid hebt.  
Na het gebruik van bepaalde chemicaliën, vooral landbouwpesticiden, moet er een kennisgeving in het behandelde gebied worden geplaatst om aan te geven dat een "Periode van Beperkte Toegang" (REI) geldt.  
Zie het etiket van het chemische product en de van toepassing zijnde overheidsbepalingen.

## Onderhoudsaanwijzingen

- Maak het apparaat voor opslag schoon en verricht het nodige onderhoud.
- Ga milieubewust te werk. Gebruik de mistblazer met zo min mogelijk lawaai en luchtvervuiling als mogelijk. Laat vooral de afstelling van de carburateur regelmatig controleren.
- Maak de mistblazer regelmatig schoon en controleer of alle bouten en moeren stevig vast zitten.
- Onderhoud of bewaar de blazer nooit in de nabijheid van open vuur, vonken, enz. (13).
- Sla de mistblazer altijd met een lege brandstoftank en een lege sproeimiddeltank op in een goed geventileerde, met een slot afgesloten ruimte.



**Pas op voor ongelukken en volg alle relevante veiligheidsinstructies, uitgegeven door overheidsinstellingen en verzekeringsinstanties. Maak geen enkele aanpassing of modificatie aan de mistblazer, want dat kan uw veiligheid in gevaar brengen.**

Het uitvoeren van onderhoud of reparaties door de gebruiker is beperkt tot de in deze gebruiksaanwijzing omschreven punten. Alle andere werkzaamheden dienen door een erkende servicedienst uitgevoerd te worden.

Gebruik enkel originele reserveonderdelen en accessoires geleverd door DOLMAR.

Het gebruik van niet-goedgekeurde onderdelen of toebehoren verhoogt de kans op ongelukken en verwondingen. DOLMAR aanvaardt geen enkele aansprakelijkheid voor ongelukken of schade die voortvloeit uit het gebruik van niet-goedgekeurde onderdelen of toebehoren.

## Eerste hulp

Voor het geval van ongelukken dient een goed gevulde eerstehulpkoffer in de buurt van de werkzaamheden aanwezig te zijn. Vul direct na gebruik van de inhoud de eerstehulpkoffer weer volledig aan.

Wanneer u hulp inroept, geeft u altijd de volgende informatie:

- Plaats van het ongeluk
- Wat er gebeurd is
- Aantal gewonden
- Aard van de verwondingen
- Uw naam



## Verpakking

De DOLMAR mistblazer wordt geleverd in een beschermende kartonnen doos die dient om beschadiging tijdens transport te voorkomen. Karton is een essentiële grondstof en kan dus opnieuw worden gebruikt of gerecycled (als kringlooppapier).

## BEWAAR DEZE GEBRUIKSAANWIJZING.

### ⚠ WAARSCHUWING:

- Laat u NIET misleiden door een vals gevoel van vertrouwdheid met het apparaat (na veelvuldig gebruik), maar neem alle veiligheidsvoorschriften voor het betreffende product altijd strikt in acht. VERKEERD GEBRUIK of het niet naleven van de veiligheidsvoorschriften in deze gebruiksaanwijzing kan leiden tot ernstig persoonlijk letsel.



## Alleen voor Europese landen

### EU-verklaring van conformiteit

#### Makita verklaart dat de volgende machine(s):

Aanduiding van de machine: Mistblazer met benzinemotor

Modelnummer/Type: SP-7650.4 R

Specificaties: zie de tabel onder "TECHNISCHE GEGEVENS"

#### Voldoet aan de volgende Europese richtlijnen:

2006/42/EU, 2000/14/EU

En is gefabriceerd in overeenstemming met de volgende normen of genormaliseerde documenten:

EN ISO 28139, ISO 10988

De technische documentatie overeenkomstig 2006/42/EU is opvraagbaar bij:

Makita, Jan-Baptist Vinkstraat 2, 3070, België

De conformiteitsbeoordelingsprocedure vereist door richtlijn 2000/14/EU was in overeenstemming met annex V.

Gemeten geluidsvermogeniveau: 110,1 dB

Gegarandeerd geluidsvermogeniveau: 111 dB

8.7.2014



Yasushi Fukaya  
Directeur

Makita, Jan-Baptist Vinkstraat 2, 3070, België

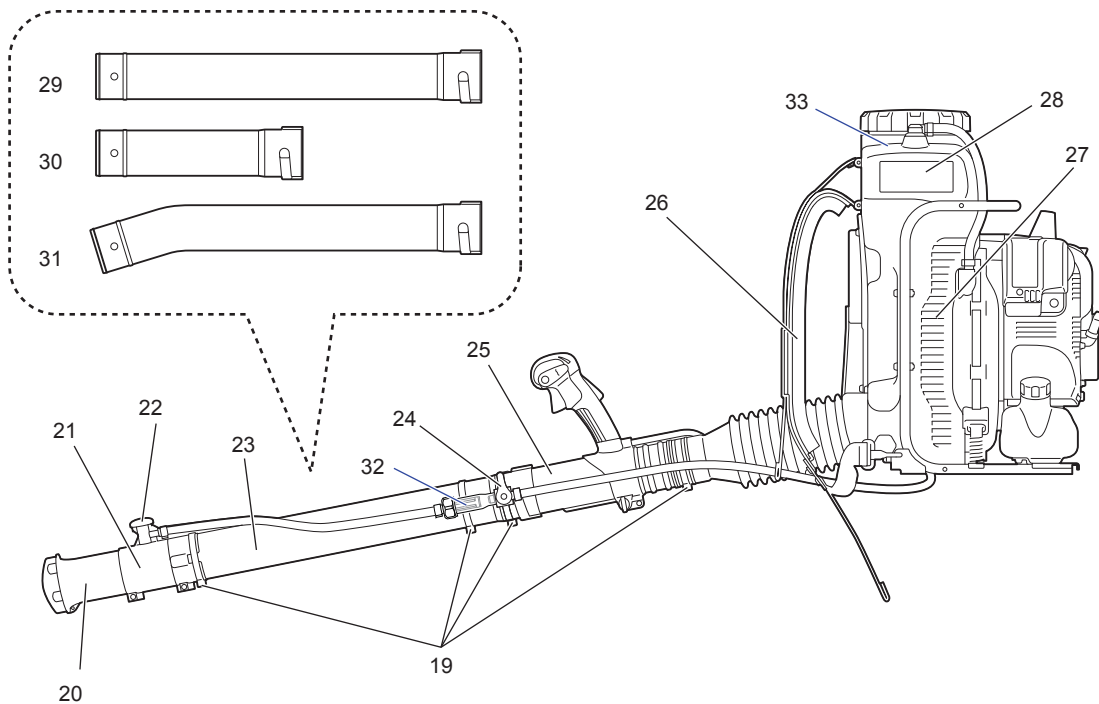
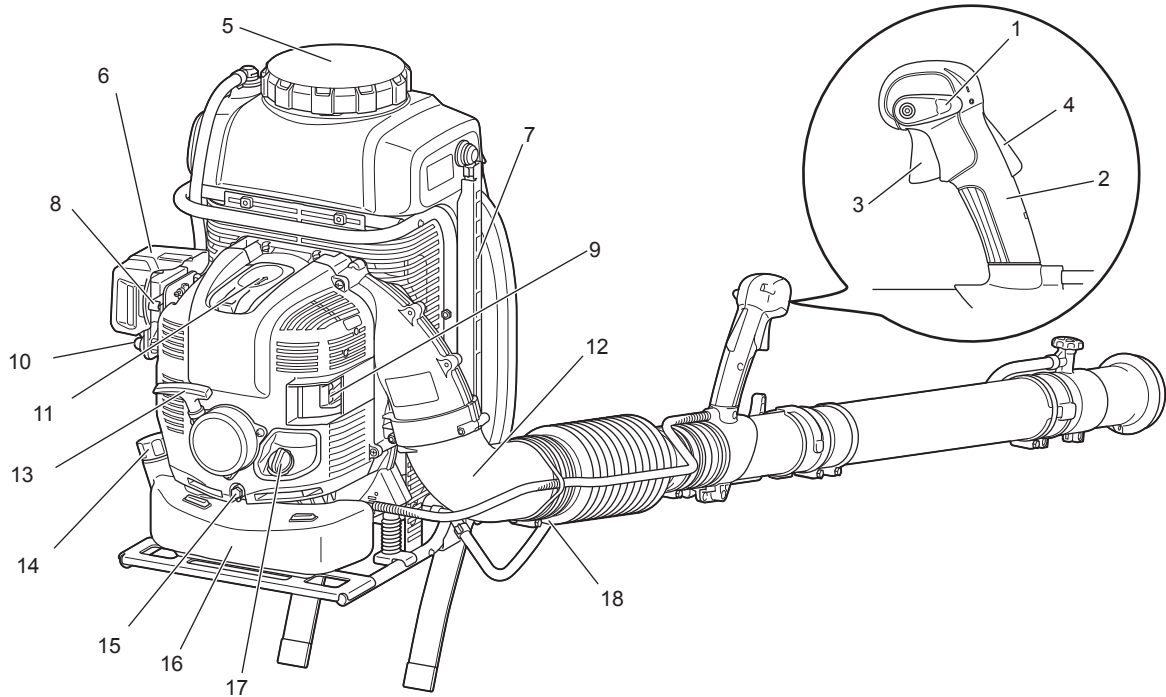
## TECHNISCHE GEGEVENS

Model		SP-7650.4 R	
Gewicht (met volle brandstoftank, volle sproeimiddeltank en 220 ml motorolie)	(kg)	30,4	
Gewicht (droog gewicht)	(kg)	14,1	
Afmetingen (zonder blaaspijp, L x B x H)	(mm)	420 x 440 x 595	
Type motor		Luchtgekoeld, 4-takt, enkele cilinder	
Maximaal motorvermogen	(kW)	2,7	
Maximaal motortoerental	(min <sup>-1</sup> )	7 400	
Stationair-toerental	(min <sup>-1</sup> )	2 800	
Cilinderinhoud	(cm <sup>3</sup> )	75,6	
Brandstof		Autobenzine	
Inhoud brandstoftank	(L)	1,8	
Motorolie		SAE 10W-30 olie van API-classificatie SF-klasse of hoger (motorolie voor 4-takt automotoren)	
Hoeveelheid motorolie	(L)	0,22	
Carburateur (membraancarburateur)		WALBRO WYK	
Bougie		NGK CMR6A	
Electrodenafstand	(mm)	0,7 – 0,8	
Inhoud sproeimiddeltank	(L)	15,0	
Sproeibereik (horizontaal/verticaal)	(m)	16 / 13	
Maximale luchtstroomsnelheid	(m/s)	85	
Luchtstroomvolume	(m <sup>3</sup> /min)	14,1	
Trillingen volgens ISO 22867	a <sub>hv eq</sub>	(m/s <sup>2</sup> )	2,7
	Onzekerheid K	(m/s <sup>2</sup> )	0,8
Gemiddeld geluidsdrumniveau volgens ISO 22868	L <sub>PA eq</sub>	dB (A)	95,4
	Onzekerheid K	dB (A)	2,9
Gemiddeld geluidsvermogeniveau volgens ISO 22868	L <sub>WA eq</sub>	dB (A)	110,1
	Onzekerheid K	dB (A)	1,3

#### Opmerking:

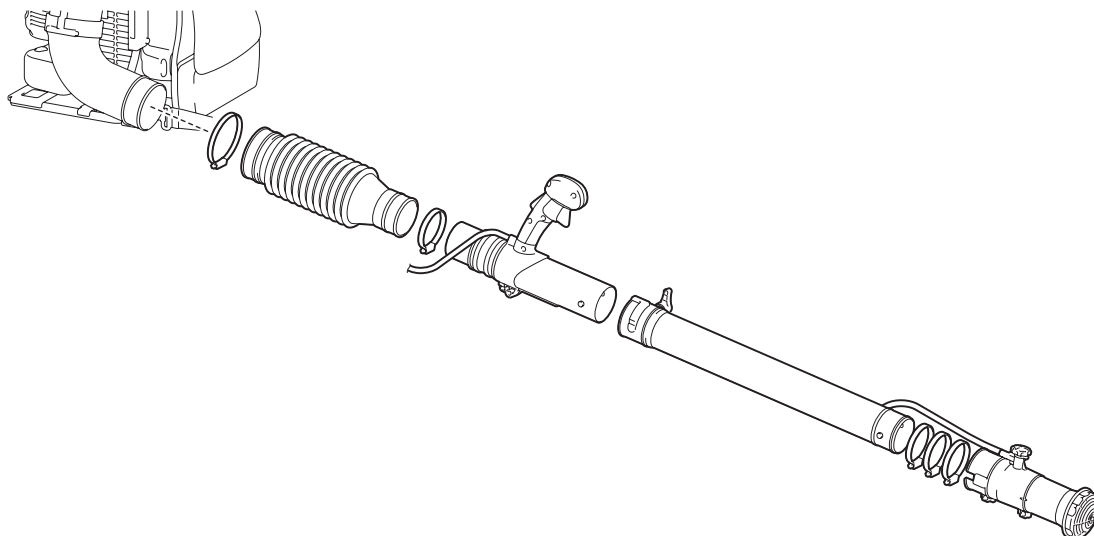
1. Gebruik de olie en de bougie die staan voorgeschreven in de tabel.
2. Deze specificaties kunnen worden gewijzigd zonder voorafgaande kennisgeving.
3. Gebruik het peilstreepje voor 10 L als richtlijn voor een bruto gewicht van 25 kg voor de mistblazer inclusief het chemicaliënmengsel.
4. De trillingen en het geluidsvolume zijn gemeten bij gebruik van de rechte (lange) blaaspijp.

## BENAMING VAN DE ONDERDELEN



1. Stopregelhendel	12. Elleboog	23. Rechte pijp
2. Bedieningsgreep	13. Startgreep	24. Sproeimiddel-toevoerhendel
3. Gasgeeftrekker	14. Brandstoftankdop	25. Zwenkpijp
4. Uitstand-borgknop	15. Olieaftapbout	26. Schouderband
5. Sproeimiddeltankdop	16. Brandstoftank	27. Luchtinlaatrooster
6. LuchtfILTERDEKSEL	17. Olietankdop	28. Sproeimiddeltank
7. Peilglas voor aflezen van de hoeveelheid sproeimiddel	18. Slangklemband (diameter 100 mm)	29. Rechte pijp (lang) (optioneel accessoire)
8. Chokehendel	19. Slangklemband (diameter 76 mm)	30. Rechte pijp (kort) (optioneel accessoire)
9. Uitlaatdemper	20. Voorste sproeimondstuk	31. Kromme pijp (optioneel accessoire)
10. Opvoerpomp	21. Tussenmondstuk	32. Filterzeef van de buisverbinding
11. Bougiedeksel	22. Stroomsnelheid-regelknop	33. Filterzeef van de sproeimiddeltank (in de sproeimiddeltank)

# MONTAGE-AANWIJZINGEN



## Monteren van de mistsproei pijpen

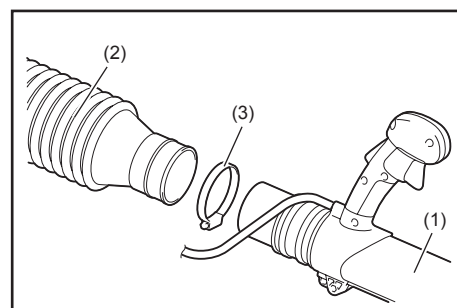
### ⚠ LET OP:

- Alvorens u enig werk aan de mistblazer gaat verrichten, zet u altijd eerst de motor af en trekt u de bougiedoppen van de bougie af.
- Draag altijd beschermende handschoenen!
- Start de mistblazer pas nadat die volledig is gemonteerd.
- Controleer na het monteren nog eens of alle slangklemmen stevig vast zitten.

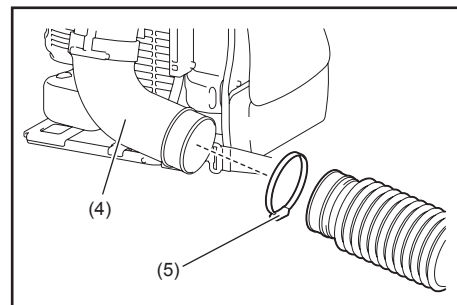
### OPMERKING:

- Zorg voor het vastdraaien dat de bout van elke slangklem aan de buitenkant komt te zitten, zoals in de afbeelding.

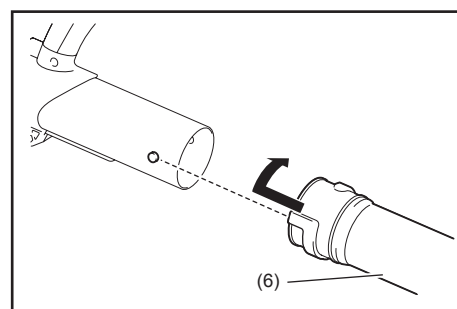
1. Bevestig de zwenkpijp (1) aan de flexibele pijp (2).  
Zet ze vast met de slangklem met doorsnede van 76 mm (3).



2. Bevestig de flexibele pijp aan de elleboogpijp (4) van de mistblazer.  
Zet ze vast met de slangklem met doorsnede van 100 mm (5).



3. Bevestig de rechte pijp (6) aan de zwenkpijp (1).  
Lijn de sleuf van de rechte pijp uit met de nok van de zwenkpijp, draai de rechte pijp totdat die vastklikt en zet de pijpen dan vast met de slangklem met doorsnede van 76 mm (3).

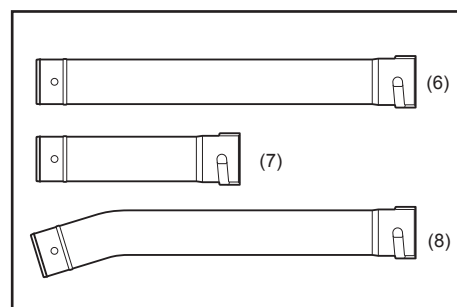


### OPMERKING:

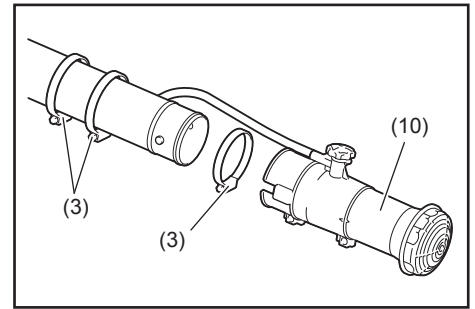
- De hierboven genoemde rechte pijp omvat in feite drie pijpen, waaruit u kunt kiezen al naar gelang de vereisten van uw werk.
  - Rechte pijp (lang) (6)
  - Rechte pijp (kort) (7)
  - Pijp met gebogen uiteinde (8)

Als vaste accessoire(s) bij de mistblazer kan er slechts één of een combinatie van de bovengenoemde pijpen zijn bijgeleverd; welke ervan kan van land tot land verschillend zijn.

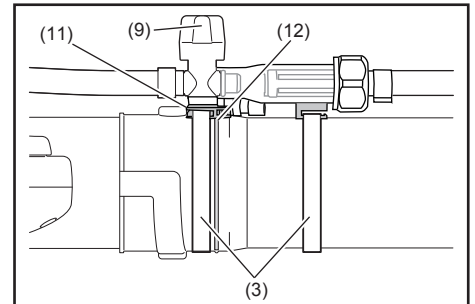
Indien nodig, kunt u de andere pijpen aanschaffen als optionele accessoires.



4. Bevestig twee van de 76-mm diameter slangklemmen (3) losjes op de pijp (die klemmen zullen later worden gebruikt om de sproeimiddel-toevoerhendel en de buisverbinding vast te zetten).  
Bevestig het tussenmondstuk (10) aan de rechte pijp.  
Zet ze vast met een andere 76-mm diameter slangklem (3).



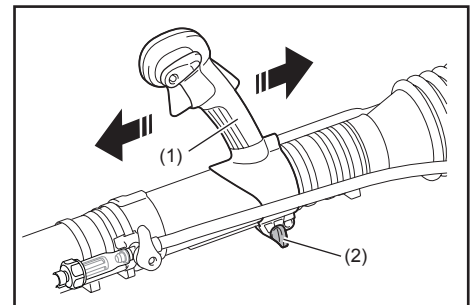
5. Plaats de sproeimiddel-toevoerhendel (9) op de pijp.  
Zorg dat de open kant van het steunpunt van de knop (11) naar de zwenkpijp toe gericht is.  
Lijn het steunpunt van de knop uit met de uitsparing in het uitstekende deel van de rechte pijp (12).  
Zet ze vervolgens vast met de 76-mm diameter slangklemmen (3).



6. Zorg dat alle klemmen stevig vastzitten.

### Afstellen en vastzetten van de bedieningsgreep

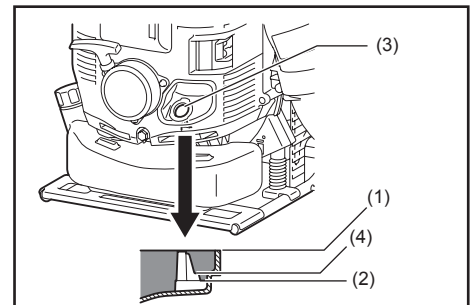
- Plaats het apparaat op uw rug en stel de schouderband bij (zie "Verstellen van de schouderband").
- Schuif de bedieningsgreep (1) langs de buis naar de meest comfortabele stand.
- Zet de bedieningsgreep vast door de knop (2) aan te draaien.



## ALVORENS DE MOTOR TE STARTEN

### 1. Controleren en bijvullen van motorolie

- Volg de onderstaande procedure wanneer de motorolie koud is, d.w.z. wanneer de mistblazer niet ingeschakeld is geweest.
  - Inspectie: Zet de mistblazer neer op een egale ondergrond en verwijder de olievuldop. Controleer of het oliepeil tussen de bovenste (1) en onderste (2) peilstreepjes in het oliepeilglas (3) staat. Als de olie niet tot aan het 100 mL peil (4) reikt, vult u dan verse olie bij.
  - Olie bijvullen: Zet de mistblazer neer op een egale ondergrond en verwijder de olievuldop. Vul olie bij tot aan het bovenste peilstreepje van het oliepeilglas.
- Over het algemeen zult u na ongeveer elke 20 gebruiksuren motorolie moeten bijvullen. Dit interval betekent dat u de olie moet verversen voor elke 10 – 15 keer ongeveer dat u de brandstof voor de mistblazer bijvult.
- Ververs de olie wanneer die vuil is of duidelijk van kleur veranderd is. (Zie pag. 126 voor de werkwijze en de regelmaat waarmee u de olie moet verversen.)  
Aanbevolen olie: Originele DOLMAR motorolie of SAE10W-30 olie van API-classificatie SF-klasse of hoger (4-takt motorolie voor auto's)  
Oliecapaciteit: Ongeveer 0,22 L (220 mL)



#### ⚠ LET OP:

- Als de mistblazer in opslag niet precies rechtop staat, kan de olie uit het peilglas in de motor vloeien, hetgeen bij controleren van het oliepeil een onjuiste oliepeilaanduiding geeft. Dit kan resulteren in het overmatig bijvullen telkens wanneer u motorolie bijvult. Zet het apparaat bij opslag precies rechtop.
- Als het oliepeil boven het maximum komt, kan de olie vuil worden en kan de motor witte rook uitstoten omdat die teveel olie verbrandt.

#### Controlepunt #1: Betreffende de olievuldop bij het olie bijvullen

- Verwijder stof of vuil rond de olievulopening voordat u de olievuldop verwijdert.
- Verwijder de olievuldop en leg deze op een schone plek, zodat er geen zand, vuil of andere ongerechtigheden aan kunnen komen. Vuil dat aan de olievuldop blijft kleven kan de motorolie vervuilen als u niet oppast. Vuile olie, met zand, stof of andere zaken die er niet in thuis horen, kan extra slijtage aan de motor veroorzaken omdat de smerwerking van de olie teniet wordt gedaan, waardoor de motor defect kan raken.

### Controlepunt #2: Als er olie gemorst wordt bij het bijvullen

- Gemorste olie op de buitenkant van de mistblazer kan leiden tot vervuiling van de motorolie. Veeg daarom alle gemorste olie weg voordat u de motor start.

## 2. Brandstof bijvullen

### ⚠ WAARSCHUWING:

- Bij het bijvullen van brandstof dient u vooral de volgende punten in acht te nemen om ontbranding en brandgevaar te voorkomen:
  - Het bijvullen van brandstof moet gebeuren op een plaats waar geen open vuur is. Breng nooit enig brandend voorwerp (sigaret e.d.) dichtbij de plaats waar u brandstof tankt.
  - Zet de motor af en laat die afkoelen voordat u brandstof gaat bijvullen.
  - Kies een vlakke ondergrond voor het bijvullen van brandstof. Vermijd onstabiele en slecht geventileerde plaatsen voor het bijvullen van brandstof.
  - Verricht het bijvullen van brandstof bij helder licht en goed zicht.
  - Kies een vrije open omgeving voor het bijvullen van brandstof.
  - Open de brandstoftankdop heel voorzichtig. Door inwendige druk zou er brandstof uit de vulopening kunnen komen.
  - Wees voorzichtig dat u geen brandstof morst. Veeg eventueel gemorste brandstof vlot weg.
  - Vul niet meer brandstof bij dan nodig.
  - Verricht het bijvullen van brandstof op een goed geventileerde plaats.
- Ga voorzichtig om met brandstof.
  - Brandstof die op uw huid of in uw ogen komt, kan leiden tot allergische reacties of irritatie. Roep onmiddellijk medische assistentie in wanneer u een fysieke afwijking bespeurt.

### Opslagtermijn van brandstof

Brandstof hoort binnen 4 weken opgebruikt te worden, zelfs al bewaart u die in een speciale container in een goed geventileerde, donkere ruimte. In een open of minder geschikte container kan brandstof al binnen een dag onbruikbaar worden.

### Opslag van de machine en de brandstoftank

- Bewaar de machine en de brandstoftank op een koele plek, uit de zon.
- Bewaar brandstof nooit in de kofferruimte of het passagierscompartiment van een auto.

### Brandstof

De motor is een 4-takt motor. Zorg dat u altijd benzine voor auto's gebruikt (normaal of super).

### Opmerkingen over brandstof

- Gebruik nooit een benzine-olie mengsel (mengsmering). Dat kan overmatige koolaanslag en mechanische storingen veroorzaken.
- Bij gebruik van bedorven brandstof zal de motor onregelmatig starten.

Voor het bijvullen van brandstof stopt u de motor en wacht u tot die afgekoeld is.

### Brandstof-bijvulmethode

- Draai de brandstoftankdop een beetje los om de druk binnen de tank gelijk te maken met de buitenluchtdruk.
- Haal de tankdop er af en vul brandstof bij terwijl u de tank scheef houdt om de gassen uit de tank te laten door de vulopening naar boven te houden. (Vul nooit de tank tot aan de nok toe vol.)
- Draai de tankdop na het bijvullen stevig dicht.
- Als de tankdop vervormd of beschadigd is, vervangt u die.
- De tankdop zal op den duur slijtage vertonen. Vervang de tankdop om de twee tot drie jaar.

# STARTEN EN STOPPEN VAN DE MOTOR

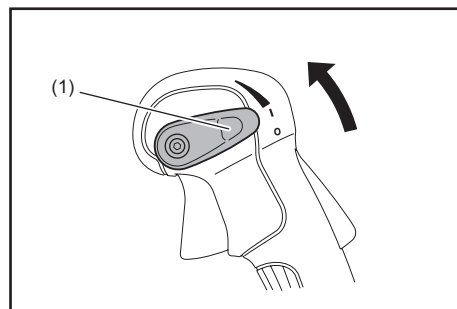
## 1. Starten

### ⚠ WAARSCHUWING:

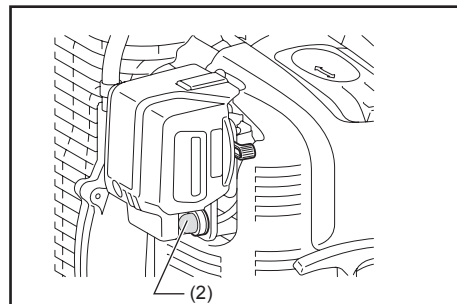
- Start de motor in geen geval op dezelfde plek als waar u brandstof getankt heeft. Ga minstens 3 meter bij de tankplek vandaan voordat u de motor start.
  - Anders kan er brandgevaar ontstaan.
- De uitlaatgassen van de motor zijn giftig. Laat de motor niet draaien op een slecht geventileerde plaats, bijvoorbeeld in een tunnel, in een gebouw enz.
  - Gebruik van de motor op een slecht geventileerde plek kan leiden tot vergiftiging door uitlaatgassen.
- Stop en inspecteer de motor onmiddellijk wanneer u na het starten iets abnormaals bespeurt, zoals een vreemd geluid, geur, of trilling.
  - Als u de motor blijft gebruiken terwijl zich een dergelijk abnormaal verschijnsel voordoet, kan dat leiden tot ongelukken.
- Controleer of de motor daadwerkelijk stopt wanneer u de stopregelhendel in de "O" stand zet.
- Let op dat de sproeimiddel-toevoerhendel gesloten is voordat u het apparaat start.

### 1) Wanneer de motor koud is, of na het bijtanken (koude start):

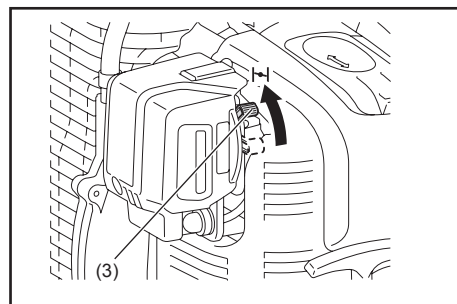
- (1) Plaats het apparaat op een vlakke ondergrond.
- (2) Zet de stopregelhendel (1) in de "I" stand.



- (3) Druk enkele malen op de opvoerpomp (2) totdat er brandstof in de opvoerpomp komt.
  - Meestal komt er na 7 tot 10 maal drukken brandstof in de carburateur.
  - Als u de opvoerpomp te vaak indrukt, zal het teveel aan benzine teruggevoerd worden naar de brandstoftank.

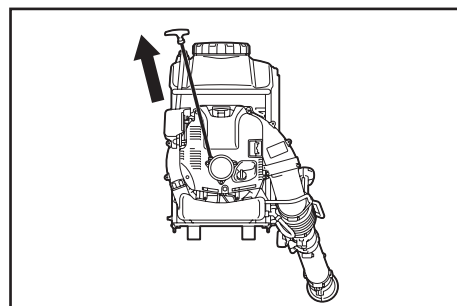


- (4) Zet de chokehendel (3) omhoog.



- (5) Houd het luchtfilterdeksel met uw linkerhand vast om te voorkomen dat de motor in beweging komt en zet u schrap in een stabiele houding.

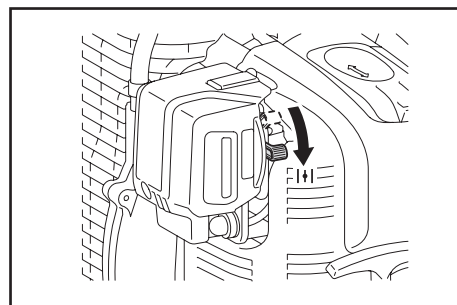
- (6) Trek langzaam aan de startgreep tot u compressie voelt. Geef er vervolgens een stevige ruk aan. Het kan vaak twee tot vier pogingen vergen totdat de motor start.
  - Trek het startkoord nooit volledig uit.
  - Laat de startgreep geleidelijk terugkeren tot in de behuizing. Als u de startgreep abrupt loslaat, kan de greep tegen uw lichaam aan zwiepen of niet goed terugkeren.



- (7) Wanneer de motor start, zet u de chokehendel geleidelijk omlaag terwijl u goed let op hoe de motor loopt. Zorg dat u de chokehendel uiteindelijk helemaal omlaag zet.
  - Bij koud weer of wanneer de motor afgekoeld is, moet u de chokehendel altijd langzaam omlaag zetten. Anders kan de motor afslaan.

- (8) Grijp de bedieningsgreep (de uitstand-borgknop wordt bij het vastgrijpen losgezet) en trek aan de gasgeeftrekker om de motor te laten warmdraaien. Laat de motor 2 tot 3 minuten warmdraaien.

- (9) Wanneer de motor gelijkmatig draait en snel op toeren komt zodra u vol gas geeft, is de motor voldoende opgewarmd.



#### OPMERKING:

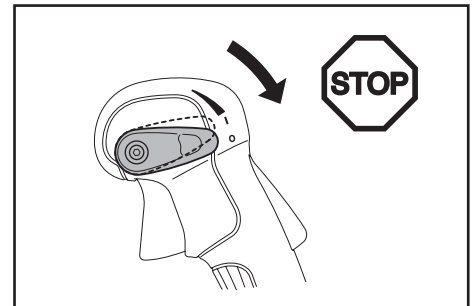
- De motor kan beschadigd raken als de chokehendel verder gezet wordt dan de "CLOSE" stand.
- Als de motor knalt en afslaat, of als de motor al voor het verstellen van de chokehendel weer stopt, zet u deze hendel terug in de "OPEN" stand en trekt u enkele malen aan de startgreep om de motor weer te starten.
- Als u aan de startgreep blijft trekken met de chokehendel in de "CLOSE" stand, kan de motor niet of nauwelijks meer starten omdat die door een teveel aan brandstof is verzopen.
- Als de motor door te veel brandstof is verzopen, verwijdert u de bougie en trekt u een paar keer snel aan de starthendel om het teveel aan brandstof te lozen. Maak de elektrode van de bougie goed droog.
- Wanneer de gasklep niet terugkomt in een stand waarin deze de stationairstelschroef raakt, zelfs niet wanneer de gasgeeffrekker staat ingesteld op een laag toerental, stel dan de bedieningskabel opnieuw af zodat de klep terugkeert in de correcte stand.

#### 2) Wanneer de motor warm is (warme start)

- (1) Plaats de mistblazer op een vlakke ondergrond.
- (2) Druk enkele malen op de opvoerpomp.
- (3) Zorg dat de chokehendel omlaag staat.
- (4) Houd het luchtfilterdeksel met uw linkerhand vast om te voorkomen dat de motor in beweging komt en zet u schrap in een stabiele houding.
- (5) Trek langzaam aan de startgreep tot u compressie voelt. Geef er vervolgens een stevige ruk aan.
- (6) Wanneer de motor niet gemakkelijk start, draait u de gasklep ongeveer 1/3 open.

## 2. Stoppen

- 1) Laat de gasgeeffrekker los om het motortoerental te verminderen en zet dan de stopregelhendel in de "O" stand.



## STATIONAIR-TOERENTAL REGELEN

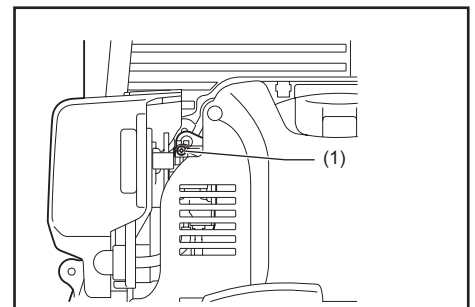
#### ⚠ GEVAAR:

- De carburateur is in de fabriek naar behoren afgesteld. Maak nooit enige andere afstelling dan alleen voor het stationair-toerental. Voor andere afstellingen dient u contact op te nemen met een erkend servicecentrum.

#### Controleren van het stationair-toerental

Stel het stationair-toerental in op 2 800 toeren/min<sup>-1</sup>.

- Als het nodig is het stationair-toerental bij te regelen, kunt u de stelschroef (1) bijstellen met een kruiskopschroevendraaier.
- Draai de stelschroef naar rechts om het toerental van de motor te verhogen. Draai de stelschroef naar links om het motortoerental te verlagen.



## BEDIENINGSMETHODE

### Aanbrengen van de filterzeven

De mistblazer is voorzien van een filterzeef bij de opening van de sproeimiddeltank en nog één bij de pijpinlaatkop.

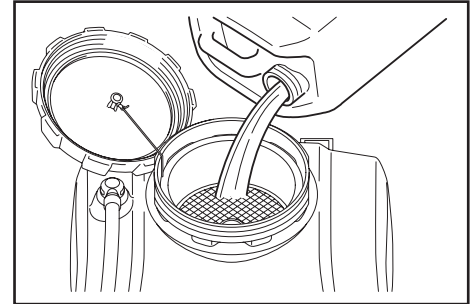
Zie er altijd op toe dat elke filterzeef op zijn plaats is aangebracht.

Om een filterzeef aan te brengen, drukt u die op zijn plaats.

Om de filterzeef te verwijderen, trekt u die los.

#### ⚠ WAARSCHUWING:

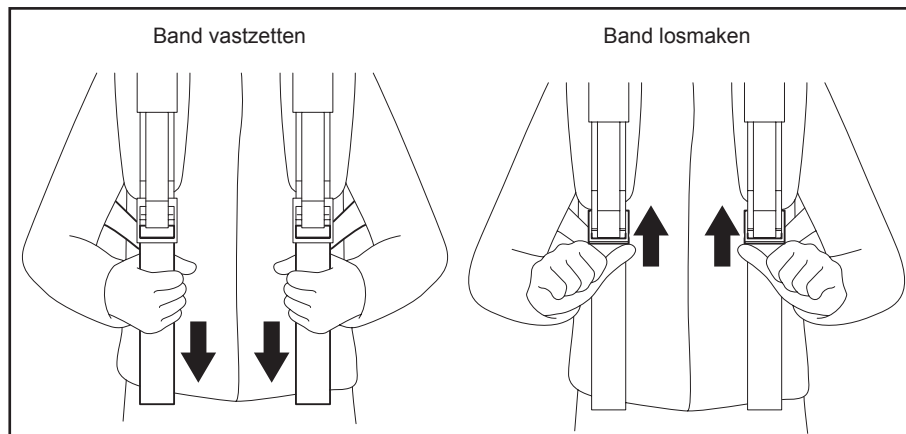
- Draai de tankdop stevig vast. Als u nalaat de tankdop stevig aan te draaien, kan er sproeimiddel gaan lekken, kan de druk minder worden enzovoort.



### Verstellen van de schouderband

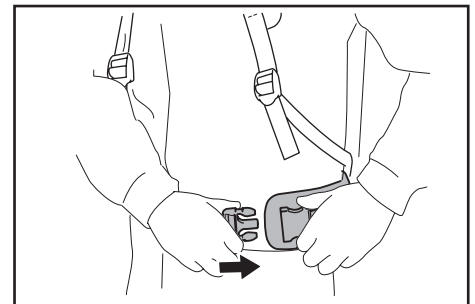
Stel de schouderband in op een lengte waarbij u veilig en comfortabel kunt werken met de mistblazer op uw rug.

Verstel de band zoals getoond in de afbeelding.



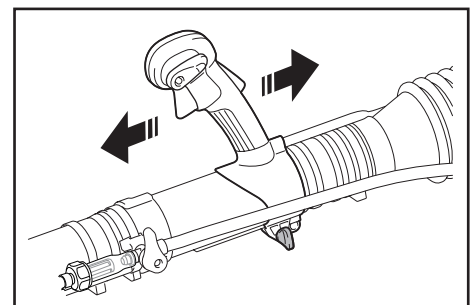
### Heupgordel (optioneel accessoire)

Met de heupgordel (optioneel accessoire) kan de gebruiker het apparaat stabielier dragen.



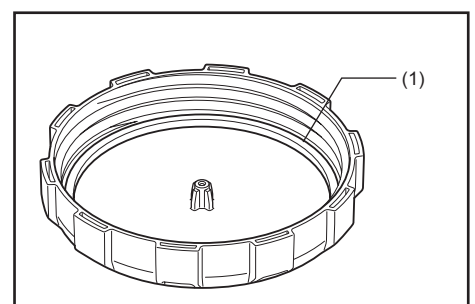
### Afstellen van de bedieningsgreep

Verstel de bedieningsgreep langs de zwenkpijp naar de meest comfortabele stand.



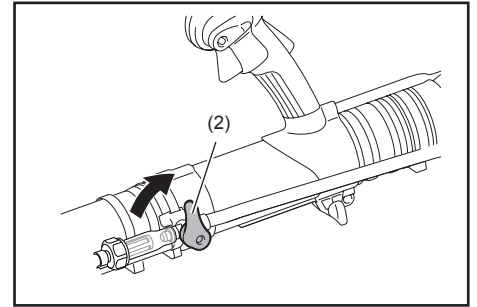
### Vullen van de sproeimiddeltank

1. Houd de pakking (1) in goede staat, schoon en goed ingevet met smeervet.
2. Zet de mistblazer op een egale ondergrond.





3. Sluit voor het vullen van de sproeimiddeltank altijd de sproeimiddel-toevoerhendel (2).



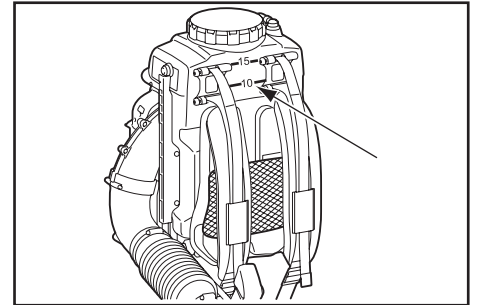
4. De sproeimiddeltank kan tot 15 liter aan sproeimiddel bevatten.

Met een volle tank zal het totale gewicht inclusief sproeimiddel bijna 30 kg bedragen.

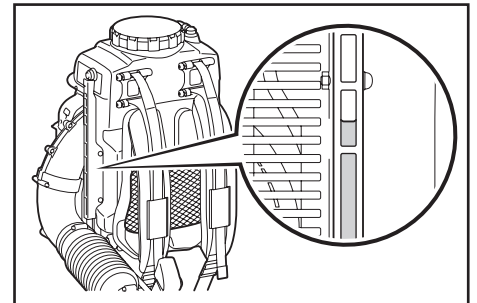
Houd de hoeveelheid sproeimiddel beperkt, zodat de mistblazer met sproeimiddel in de tank niet al te zwaar en onhandelbaar wordt voor de gebruiker.

Wanneer er 10 liter aan sproeimiddel in wordt gegoten (zodat het peilglas aan de zijkant van de tank tot aan het 10-liter streepje is gevuld) bedraagt het totale gewicht van het apparaat ongeveer 25 kg.

Het is aanbevolen om te zorgen dat het totale gewicht van het apparaat niet boven de 30 kg komt voor mannen en niet boven de 25 kg voor vrouwen.

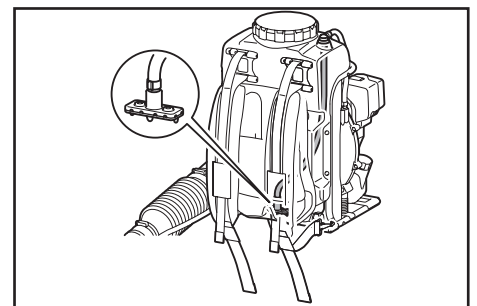


Aan het sproeimiddelpeil in het peilglas aan de zijkant van de mistblazer kunt u het totale peil van de vloeistof in de sproeimiddeltank aflezen.



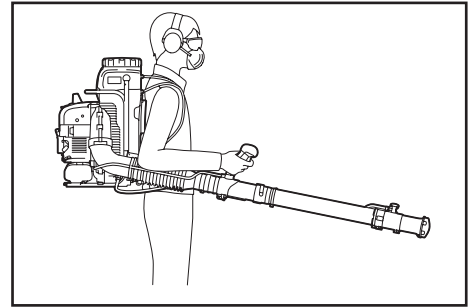
### Sproeimiddel-mengfunctie

Het sproeimiddel-mengapparaat binnenin de sproeimiddeltank maakt het mogelijk om sproeimiddel te mengen met luchtballen die er uit komen tijdens het sproeien.



## Bediening van de mistblazer

Om het motortoerental te verhogen, grijpt u de bedieningsgreep (de uitstandborgknop wordt bij het vastgrijpen losgezet) en trekt u aan de gasgeefftrekker. De druk die u op de gasgeefftrekker uitoefent bepaalt het motortoerental.

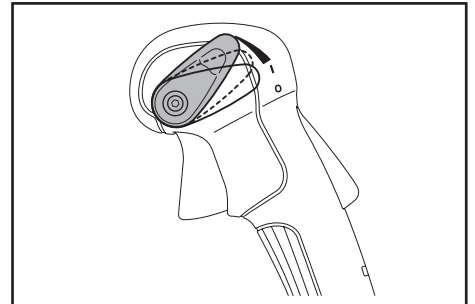


De stand van de stopregelhendel kan de hoek van de gasgeefftrekker beperken. De stopregelhendel heeft vier standen. "O" (motorstop), "1", en twee standen voor het beperken van de gasgeefftrekkerstand.

In stand "1" wordt het motortoerental niet beperkt (dus kunt u de gasgeefftrekker helemaal intrekken).

De hoek van de gasgeefftrekker wordt beperkt vanaf één stap boven de stand "1". De gasgeefftrekker wordt nog sterker beperkt wanneer u de stopregelhendel nog een stapje verder voorbij stand "1" zet.

Stel het motortoerental af op de vereisten van de werkplek en de werkomstandigheden.

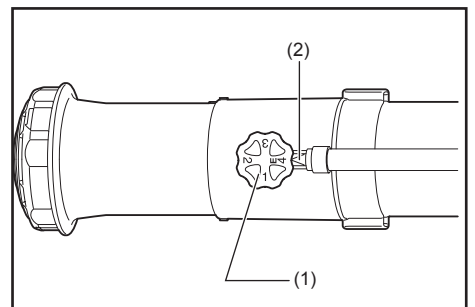
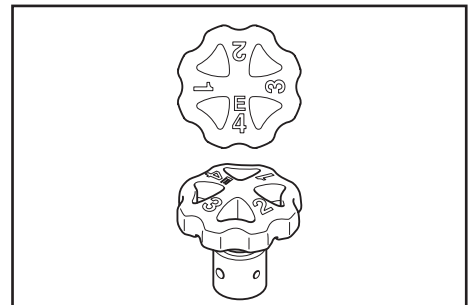


## Stroomsnelheid-regelknop

Met de stroomsnelheid-regelknop kunt u een ruim bereik aan stroomsnelheden kiezen.

Regelen van de stroomsnelheid

Draai de stroomsnelheid-regelknop (1) op het tussenmondstuk zo dat het cijfer op de stroomsnelheid-regelknop tegenover het driehoekige pijltje (2) staat om de gewenste stroomsnelheid te kiezen.



Uitstroomsnelheid

Sproei door de rechte pijp in een hoek van 0 graden tot een negatief aantal graden vanuit de horizontale stand te houden.

Stand van de knop	Uitstroomsnelheid (L/min) (gemiddelde waarde)
1	0,36
2	1,0
3	1,6
4	2,5

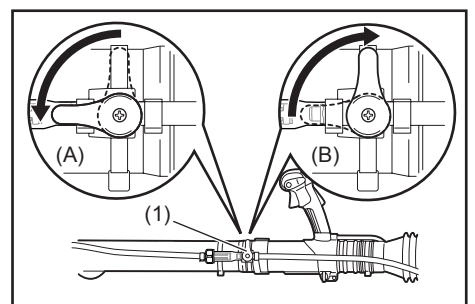
### OPMERKING:

- Gebruik de getallen in de bovenstaande tabel als richtlijn en onthoud dat ze moeten worden bijgesteld, al naar gelang het soortelijk gewicht van de chemische oplossing in de sproeimiddeltank.

## Sproeimiddel-toevoerhendel

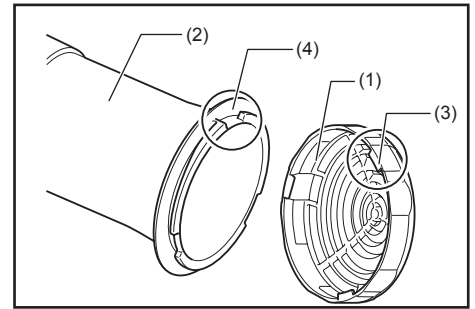
Om de toevoer van sproeimiddel te starten (A) draait u de sproeimiddel-toevoerhendel (1) horizontaal, parallel aan de buis.

Om de toevoer van sproeimiddel te stoppen (B) draait u de sproeimiddel-toevoerhendel verticaal, haaks op de buis.

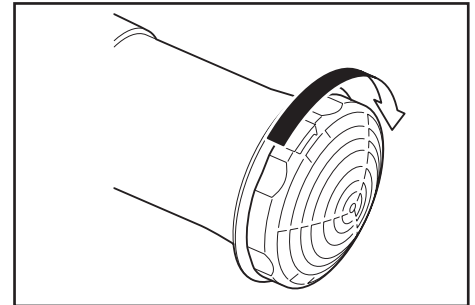


## Aanbrengen en verwijderen van het verstuivingsdeksel

Om het verstuivingsdeksel (1) aan te brengen, plaatst u dat op het voorste sproeimondstuk (2), zodanig dat de uitstekende nok (3) precies tegenover de inkeping (4) in het voorste sproeimondstuk komt.



Maak het verstuivingsdeksel vast door het helemaal naar rechts te draaien.



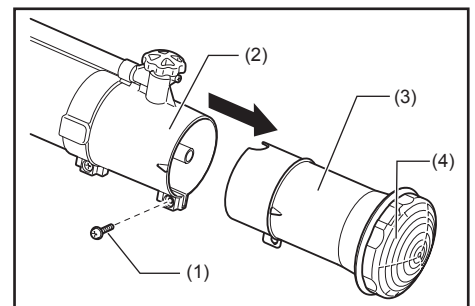
Om het verstuivingsdeksel te verwijderen, volgt u de bovenstaande aanwijzingen in omgekeerde volgorde.

## Vervangen van het sproeimondstuk door een speciaal mondstuk voor kleine hoeveelheden (optioneel accessoire)

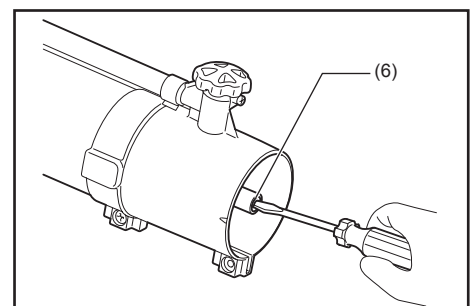
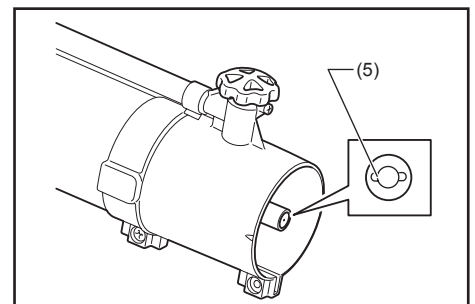
Wanneer u slechts een kleine hoeveelheid sproeimiddel moet verstuiven, vervangt u de dop van het sproeimondstuk door een ander type bijgeleverde mondstukdop met een kleine uitstroombopening.

Om het sproeimondstuk te vervangen, gaat u als volgt te werk.

1. Verwijder de schroef (1) van het tussenmondstuk (2) en verwijder dan het voorste sproeimondstuk (3) en het verstuivingsdeksel (4).



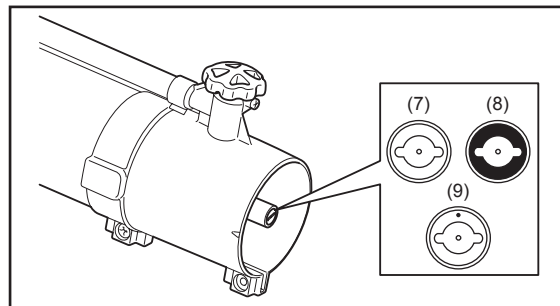
2. Steek de punt van een platte schroevendraaier in de sleuf (5) bovenin het sproeimondstuk en verwijder de dop van het sproeimondstuk (6) door die geheel linksom te draaien.



3. Plaats een ander bijgeleverd sproeimondstuk met een kleine uitstroomopening.

**OPMERKING:**

- Kies het geschikte sproeimondstuk uit de volgende twee, afhankelijk van het soort (de viscositeit) van de gebruikte chemicaliën.



Type sproeimondstuk	Viscositeit van chemicaliën	Voorbeeld van chemicaliën	Uitstroomsnelheid (L/min)*1
Aluminium sproeimondstuk (zilverkleurig) (7) *2	Hoog	MALATHION (Mengen met olie.)	0,14
Koperen sproeimondstuk (goudkleurig) (8) *2	Laag	Aqua K-Othrine (Mengen met water.)	0,075
Koperen sproeimondstuk met ponsmarkering (goudkleurig) (9) *2	Laag	Cipermetrinato (Mengen met water.)	0,060

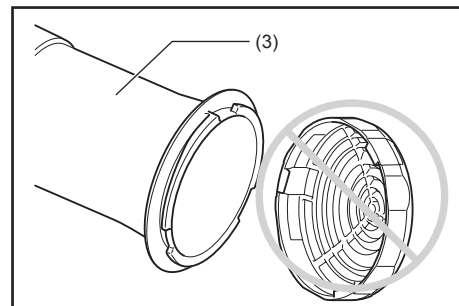
**Opmerking 1:** De uitstroomsnelheid getoond in de tabel geldt in het geval van enkel water en dient dus alleen als richtlijn. Dit varieert afhankelijk van de gebruikte chemicaliën.

**Opmerking 2:** Welke type(n) sproeimondstuk(ken) bij de mistblazer zijn geleverd kan van land tot land verschillen.

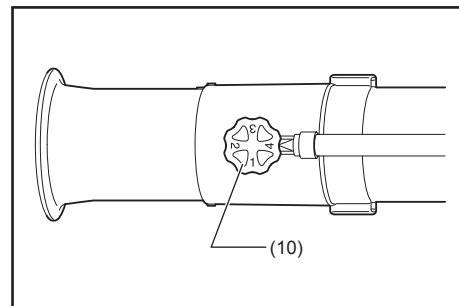
4. Bevestig het voorste sproeimondstuk (3) en zet het vast met de schroef (1).

**OPMERKING:**

- Bij gebruik van een sproeimondstuk met een kleine uitstroomopening kunt u het verstuivingsdeksel (4) achterwege laten en kunt u dat opbergen om het niet te verliezen.



5. Zet de knop (10) in de stand 4.

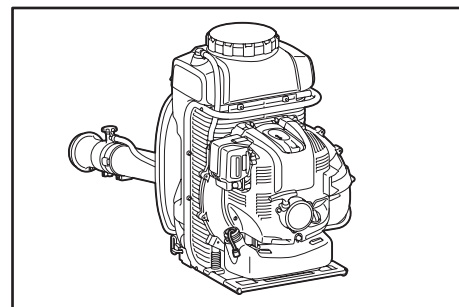


**VERVOER VAN DE MISTBLAZER**

Zorg dat de mistblazer rechtop blijft staan wanneer u het apparaat vervoert of opbergt. Als u het apparaat vervoert of opslaat in een andere stand dan rechtopstaand, kan er olie in de motor van de mistblazer overlopen. Dat kan leiden tot olie lekkage en het afgeven van witte rook door verbranding van de olie, en het luchtfilter kan door olie vervuild raken.

**⚠ GEVAAR:**

- Voor het vervoer of opslag van de mistblazer zet u altijd eerst de motor af.



## De sproeimiddeltank legen en schoonmaken

### ⚠ WAARSCHUWING:

- Draag altijd rubber/chemicaliënbestendige handschoenen voor het legen en reinigen van de sproeimiddeltank.

### Legen van de sproeimiddeltank

### ⚠ WAARSCHUWING:

- Tap nooit chemicaliën of spoelwater af door de dop onderaan de sproeimiddeltank te openen.
- Voor en na het legen dient u te zorgen dat de sproeimiddel-toevoerhendel gesloten is.
- Als er nog chemische oplossing in de sproeimiddeltank overgebleven is na het volgen van de methode beschreven in de gebruiksaanwijzing, kantelt u het apparaat dan naar de kant van de pijp, om alle resterende chemische oplossing er uit te gieten.

1. Zet de mistblazer op een stabiele ondergrond. Zorg dat het sproeimondstuk (1) lager is dan de onderkant van de sproeimiddeltank (2) en plaats er een opvangbak onder.

2. Zet de knop (3) in de stand E.

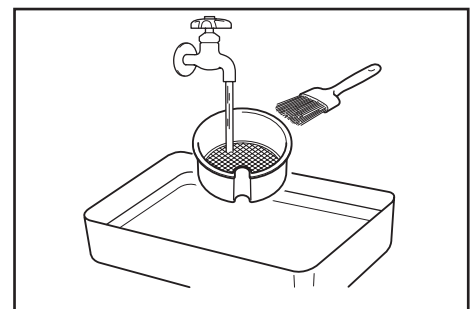
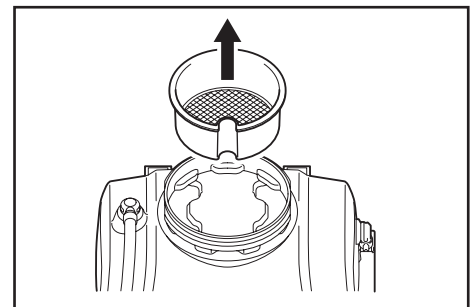
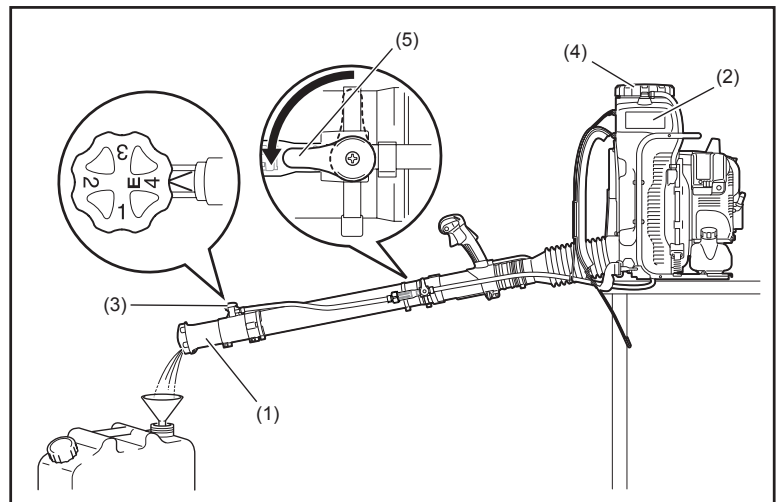
3. Open de sproeimiddeltankdop (4) een beetje om overdruk uit de tank te laten ontsnappen.

4. Open de sproeimiddel-toevoerhendel (5). De chemische oplossing wordt door het sproeimondstuk geloosd.

5. Spoel de tank van binnen uit met water.

### De filterzeef van de sproeimiddeltank reinigen

Verwijder de tankdop, neem de filterzeef uit de tank en reinig deze na gebruik.

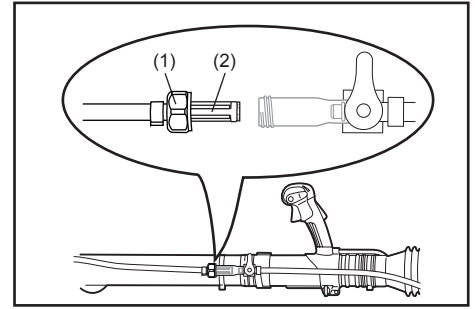


## Schoonmaken van de buisverbinding

### ⚠ WAARSCHUWING:

- Verwijder nooit de slangklem, de buis of de dop wanneer de sproeimiddel-toevoerhendel open staat.
- Maak de dop niet los wanneer de sproeimiddel-toevoerhendel open staat.

1. Draai de dop (1) los en verwijder die samen met de filterzeef (2).
2. Verwijder alle stof en gruis uit de filterzeef.
3. Plaats de filterzeef terug op de oorspronkelijke plaats. Let op dat u de dop stevig vastdraait.



## INSPECTIE EN ONDERHOUD

### ⚠ GEVAAR:

- Voordat u inspectie en onderhoud verricht, stopt u de motor en laat u die afkoelen. Verwijder ook de bougie en de bougiedop.
  - Als u begint met inspectie of onderhoud vlak nadat de motor is gestopt of met de bougiedop nog op zijn plaats, dan loopt u de kans op brandwonden of ongelukken als de motor onverwacht zou starten.
- Let na inspectie of onderhoud zorgvuldig op dat alle onderdelen goed op hun plaats zitten. Zo ja, dan kunt u het apparaat gaan bedienen.
- Draag voor inspectie en onderhoud altijd rubber/chemicaliënbestendige handschoenen.

### KENNISGEVING:

- Gebruik nooit benzine, spiritus, tri of thinner en dergelijke voor het reinigen. Dat zou kunnen leiden tot verkleuring, kromtrekken of barsten.

## Motorolie verversen

Te lang gebruikte motorolie zal de levensduur van de heen en weer bewegende en roterende onderdelen aanzienlijk bekorten. Vergeet niet te controleren wanneer en hoeveel olie er verversd moet worden.

### ⚠ GEVAAR:

- Meestal zullen de motor zelf en de motorolie nog enige tijd heet blijven, ook nadat de motor is gestopt. Als u de olie wilt gaan verversen, moet u eerst controleren of de motor zelf en de motorolie daarin voldoende zijn afgekoeld. Doet u dat niet, dan bestaat het gevaar dat u zich zult branden. Bovendien kan vlak nadat de motor is gestopt niet alle olie terugkeren naar het carter. Controleer het oliepeil niet direct nadat de motor is gestopt.
- Als u olie bijvult tot voorbij de aangegeven limiet, kan de olie verontreinigd raken of verbranden met een witte rookontwikkeling.

**Verversingsinterval:** Eerst na de eerste 20 gebruiksuren, en daarna om de 50 gebruiksuren

**Aanbevolen olie:** SAE10W-30 olie van API-Classificatie SF-Klasse of hoger (4-takt olie voor automotoren)

## Werkwijze voor het verversen van de olie

1. Zet de mistblazer neer op een egale ondergrond.
2. Plaats een bak voor afgewerkte motorolie onder het aftapgat (1) om de olie in op te vangen. De olieopvangbak moet tenminste een inhoud hebben van 220 mL om alle olie te kunnen bevatten.
3. Draai de olieaftapbout (2) los om de olie te laten weglopen. Wees voorzichtig dat er geen olie morst op de brandstoftank of andere onderdelen.

### ⚠ LET OP:

- Pas op dat u de pakking (aluminium tussenring) (3) niet kwijt raakt. Leg de olieaftapbout (2) op een plek waar deze niet vuil kan worden.

4. Verwijder de olievuldop (4). (Door de olievuldop (4) te verwijderen kan de olie gemakkelijker uit de motor weglopen.)

### ⚠ LET OP:

- Leg de olievuldop (4) op een plek waar deze niet vuil kan worden.

5. Naarmate het oliepeil lager wordt, zult u de mistblazer geleidelijk naar de kant van het aftapgat moeten kantelen zodat alle olie uit de motor kan weglopen.

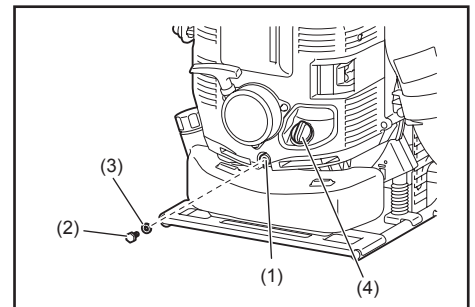
6. Nadat alle olie uit de motor gelopen is, draait u de olieaftapbout (2) weer stevig vast. Als de bout niet goed vast zit, kan er olie uit de motor blijven lekken.

### ⚠ LET OP:

- Vergeet niet de pakking (aluminium tussenring) (3) terug te plaatsen wanneer u de olieaftapbout weer aanbrengt.

7. Extra olie bijvullen tijdens het olie verversen gaat op dezelfde manier als eerder werd beschreven voor het bijvullen van olie wanneer het oliepeil te laag geworden is. Olie bijvullen moet altijd via de opening van de olievuldop. (Voorgeschreven oliepeil: Ongeveer 220 mL)

8. Na het bijvullen van olie draait u de olievuldop (4) stevig vast, om olie lekkage te voorkomen.



## Opmerkingen bij het verversen van de motorolie

- Gooi afgewerkte motorolie niet weg met het huisvuil en loos het niet in de natuur of in een sloot. Het afvoeren van olie is wettelijk geregeld. Volg altijd de geldende wetten en bepalingen als u afgewerkte motorolie wilt wegdoen. Raadpleeg een erkende onderhoudsdienst als u hieromtrent vragen hebt.
- Ook wanneer u olie gewoon bewaart zal de olie op den duur bederven. Controleer regelmatig of de olie die u wilt gebruiken nog goed is (vervang de olie minstens elke 6 maanden).

## Reinigen van het luchtfilter

**⚠ WAARSCHUWING:** ONTVLAMBARE MATERIALEN STRENG VERBODEN

Interval voor reinigen en inspectie: Dagelijks (elke 10 gebruiksuren)

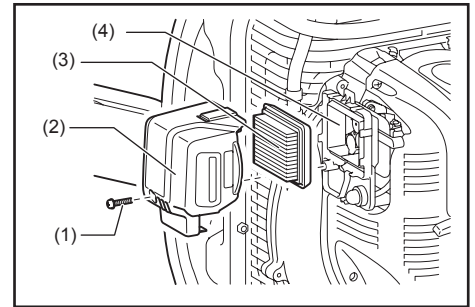
1. Draai de knopbout (1) los.
2. Verwijder het luchtfilterdeksel (2).
3. Neem het element (3) er uit en verwijder met een borstel alle vuil van het element.

### OPMERKING:

- Het element is van het droge type en het mag niet nat worden. Spoel het in geen geval uit met water.
4. Vervang het element door een nieuw als het beschadigd of te zeer vervuild is.
  5. Veeg eventuele olie die op de luchtinlaat is gekomen weg met een poetsdoek of lap.
  6. Installeer het element in het luchtfilterhuis (4).
  7. Breng het luchtfilterdeksel weer aan en draai de knopbout vast.

### ⚠ GEVAAR:

- Reinig het element verscheidene keren per dag als er erg veel stof aan blijft kleven.
- Als u door blijft werken terwijl er aan het element nog olie kleeft, kan er olie uit het luchtfilter lekken, met als gevolg olievervuiling.



## Controleren van de bougie

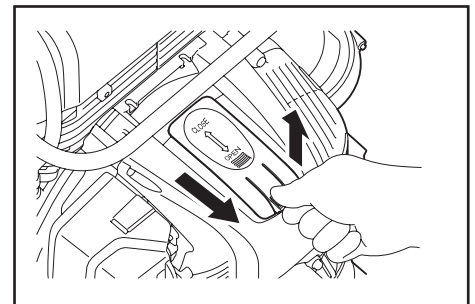
### ⚠ LET OP:

- Voor het verwijderen van de bougie maakt u eerst de bougie en de cilinderkop goed schoon, om te voorkomen dat er stof of zand e.d. in de cilinder kan komen.
- De motor moet afgekoeld zijn voordat u de bougie verwijdert, om te voorkomen dat het inwendige schroefdraad in de cilinderkop beschadigd wordt.
- Schroef de bougie naderhand weer precies recht in het schroefgat. Als u de bougie er scheef indraait, zal dit het schroefdraad in de cilinderkop beschadigen.

1. Openen/sluiten van het bougiedeksel

Om het bougiedeksel te openen, licht u de naad van de bougiedekselnok omhoog en schuift u het deksel in de richting aangegeven als "OPEN", zoals in de afbeelding rechts.

Om het deksel te sluiten, schuift u het in de richting van "CLOSE" totdat het klikpunt onder de bougiedekselnok net over het motordeksel valt. Vervolgens drukt u de bougiedekselnok er in.



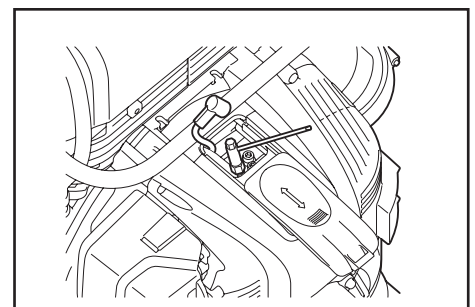
2. Verwijderen van de bougie

Gebruik de bijgeleverde bougiesleutel om de bougie te verwijderen of weer vast te draaien.

3. Controleren van de bougie

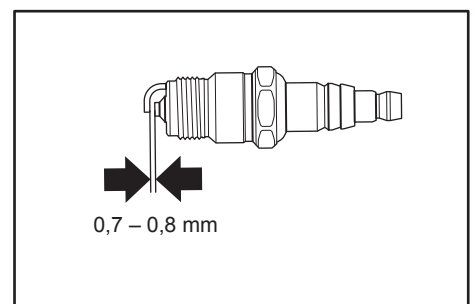
De speling tussen de twee elektroden van de bougie (zie de afbeelding) moet 0,7 tot 0,8 mm bedragen. Stel de juiste speling bij als de elektrodenafstand te groot of te klein is.

Maak de bougie grondig schoon of vervang de bougie wanneer deze verontreinigd is of veel koolaanslag heeft.



4. Vervangen van de bougie

Gebruik ter vervanging een NGK-CMR6A bougie.



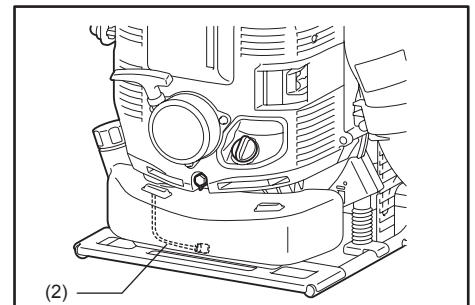
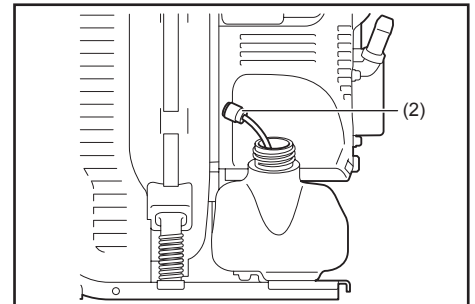
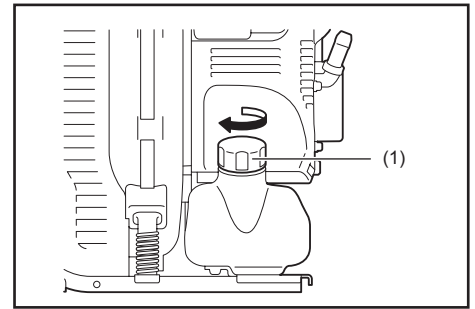
## Reinigen van het brandstoffilter

- Een verstopt brandstoffilter kan leiden tot startproblemen of de onmogelijkheid het toerental te verhogen.
- Controleer het brandstoffilter regelmatig op de volgende wijze:

1. Verwijder de brandstoftankdop (1) en tap de brandstof af totdat de tank helemaal leeg is. Controleer de binnenkant van de tank op eventuele ongerechtigeden. Verwijder eventueel aanwezig vuil of gruis.
2. Trek het brandstoffilter (2) met een draad uit de tank via de brandstofvulopening.
3. Als het brandstoffilter vuil is, reinigt u het met schone benzine. Vervuilde benzine moet u wegwerpen in overeenstemming met de ter plaatse geldende voorschriften. Als het brandstoffilter erg vuil is, vervangt u het.
4. Doe het brandstoffilter terug in de benzinetank en maak de tankdop weer stevig vast.

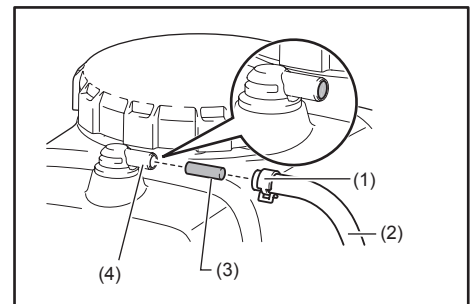
### OPMERKING:

- Bij het weer aanbrengen van het brandstoffilter plaatst u het in de stand zoals in de afbeelding staat aangegeven.  
Voor vervanging neemt u contact op met uw erkende onderhoudsdienst.



## Reinigen van het verbindingspijp-filterelement

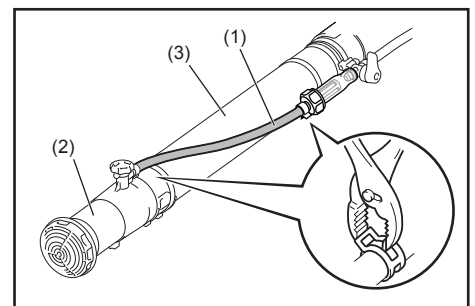
1. Verwijder de slangklem (1) en de slang (2).
2. Trek het filterelement (3) er uit en verwijder met een borstel het vuil ervan. Als het filterelement er niet makkelijk uit te trekken is, gebruikt u dan een dun stokje om het te grijpen.
3. Vervang het element door een nieuw als het beschadigd of te zeer vervuild is.
4. Druk het filterelement in de verbindingspijp (4) totdat het uiteinde van het element precies gelijk komt met de rand van de pijp.
5. Breng de slang aan en zet deze vast met de slangklem.



## Vervangen van de sproeimiddelslang

- Controleer de sproeimiddelslang (1) regelmatig. Als de slang beschadigd is, kan er chemisch sproeimiddel uit lekken. Vervang de slang indien nodig, als volgt.

1. Verwijder het sproeimondstuk (2) van de pijp (3).
2. Maak de slangklem los en vervang dan de oude slang door een nieuwe.



## Inspectie van bouten, moeren en schroeven

- Draai losgetrilde bouten, moeren e.d. weer vast.
- Controleer op lekkage van benzine of olie.
- Vervang beschadigde onderdelen door nieuwe voor veilige werking van het apparaat.

## Vervangen van pakkingen en afdichtingen

Bij het demonteren en weer monteren van de motor vervangt u vooral de pakkingen en afdichtingen door nieuwe.

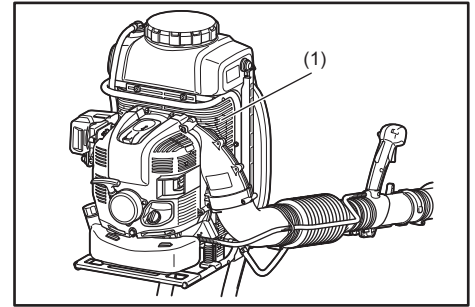


## Reinigen van onderdelen

- Houd de motor altijd goed schoon.
- Houd de cilinderkoelvinnen vrij van stof en vuil. Als de koelvinnen bedekt raken met stof of vuil, kan de motor vastlopen.
- De uitgeblazen lucht wordt eerst aangezogen via de luchtinlaat met het inlaatrooster (1). Wanneer u merkt dat de blaaskracht afneemt, moet u de motor stoppen en controleren of het rooster van de luchtinlaat niet geblokkeerd of verstopt geraakt is.
- Als u de blokkering of verstopping niet opheft, kan de motor oververhit raken en beschadigd worden.

### ⚠ WAARSCHUWING:

- Gebruik de mistblazer nooit zonder het inlaatrooster. Controleer voor elk gebruik of het inlaatrooster op zijn plaats zit en vrij is van vuil of schade.



Onderhoud of afstellingen die niet beschreven worden in deze handleiding mogen alleen worden uitgevoerd door een erkende onderhoudsdienst.

## OPSLAG

### De brandstof aftappen

### ⚠ WAARSCHUWING:

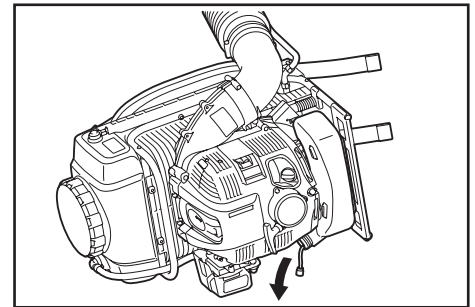
- Voordat u de brandstof aftapt, moet u de motor stoppen en laten afkoelen.
  - Direct na het afzetten van de motor kan die nog erg heet zijn, met kans op brandwonden en het uitbreken van brand.

### ⚠ LET OP:

- Als u het apparaat voor langere tijd opbergt, dient u alle brandstof uit de tank en de carburateur af te tappen, om het apparaat dan op te bergen op een droge en schone plek.

Tap de brandstof uit de tank en de carburateur af op de volgende wijze:

- 1) Verwijder de brandstoftankdop en tap alle brandstof af.  
Als er verontreinigingen achterblijven in de brandstoftank, verwijdert u al dat vuil volledig.
- 2) Trek het brandstoffilter met een draad uit de tank via de vulopening.
- 3) Druk op de opvoerpomp totdat alle brandstof daaruit verwijderd is en tap daarna de instromende brandstof uit de tank af.
- 4) Plaats het brandstoffilter terug in de brandstoftank en draai de tankdop stevig vast.
- 5) Laat de motor vervolgens lopen tot deze vanzelf stopt.
- 6) Verwijder de bougie en druppel een paar druppels motorolie in het bougiegat.
- 7) Trek voorzichtig aan de startgreep om de motorolie door de motor te verspreiden en breng dan de bougie weer op zijn plaats.
- 8) Zorg bij opslag dat het apparaat rechtop blijft staan.
- 9) Bewaar de afgetapte brandstof in een speciale container in een goed geventileerde plaats in de schaduw.



### Legen van de sproeimiddeltank

### ⚠ WAARSCHUWING:

- Voordat u de sproeimiddeltank gaat legen, zet u eerst de motor af en wacht u tot die is afgekoeld.
  - Direct na het afzetten van de motor kan die nog erg heet zijn, met kans op brandwonden en het uitbreken van brand.

Voordat u de mistblazer opbergt, leegt u de sproeimiddeltank volgens de aanwijzingen onder "De sproeimiddeltank legen en schoonmaken".

### Reinigen van de filterzeef bovenop de sproeimiddeltank

Voordat u de mistblazer opbergt, moet u altijd de filterzeef bovenop de sproeimiddeltank schoonmaken.

Voor het reinigen van de filterzeef volgt u de aanwijzingen onder "De sproeimiddeltank legen en schoonmaken".

### Schoonmaken van de filterzeef bij de buisverbinding

Voordat u de mistblazer opbergt, maakt u altijd eerst de filterzeef bij de buisverbinding schoon.

Voor het reinigen van de filterzeef volgt u de aanwijzingen onder "De sproeimiddeltank legen en schoonmaken".

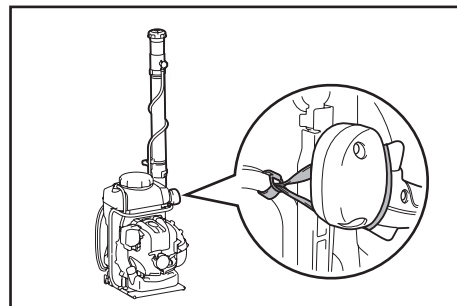
### ⚠ LET OP:

- Let op dat u de motor uitschakelt voordat u de mistblazer opbergt.

## Vastzetten van de rechte pijp met een bijgeleverde handlus

Wanneer u de mistblazer opbergt, kunt u de rechte pijp vastzetten met een bijgeleverde handlus die u aan het frame bevestigt.

Vastzetten van de pijp in die stand maakt het transport van het apparaat gemakkelijker.



## Onderhoudsinterval

Onderdeel	Gebruiksduur		Voor de	Na het	Dagelijks	30 uren	50 uren	200 uren	Afsluiten/ rusten	Verwijzingspa- gina
			bediening	smeren	(elke 10 uren)					
Motorolie	Inspecteren		○							116
	Vervangen						○ <sup>*1</sup>			126
Onderdelen vastdraaien (bouten, moeren)	Inspecteren		○							128
Filterzeef van de sproeimiddeltank	Inspecteren		○							125
	Reinigen				○					125
Filterzeef van de buisverbinding	Inspecteren		○							126
	Reinigen				○					126
Brandstoftank	Reinigen/ Inspecteren		○							—
	Brandstof aftappen								○ <sup>*3</sup>	129
Gasgeeftrekker	Werking controleren			○						—
Stopregelhendel	Werking controleren			○						119
Stationair-toerental	Inspecteren/ afstellen				○					119
Luchtfilter	Reinigen				○					127
Bougie	Inspecteren				○					127
Koelluchtleiding	Reinigen/ Inspecteren				○					129
Brandstofpijp	Inspecteren				○					128
	Vervangen							◎ <sup>*2</sup>		—
Brandstoffilter	Reinigen/ vervangen						○			128
Speling tussen de luchtinlaatklep en de luchtuitleetklep	Afstellen							◎ <sup>*2</sup>		—
Olieleiding	Inspecteren							◎ <sup>*2</sup>		—
Motor reviseren								◎ <sup>*2</sup>		—
Carburateur	Brandstof aftappen								○ <sup>*3</sup>	129

\*1 Voer de eerste verversing uit na 20 gebruiksuren.

\*2 Laat de inspectie na 200 gebruiksuren uitvoeren bij een erkende onderhoudsdienst of een servicecentrum.

\*3 Laat de motor gewoon even doorlopen na het legen van de brandstoftank om ook alle brandstof uit de carburateur te verwijderen.

## STORINGEN VERHELPEN

Ga eerst zelf na wat er aan de hand zou kunnen zijn, voordat u om reparatie verzoekt. Als u ontdekt wat er mis kan zijn, volgt u de herstel instructies voor het apparaat zoals beschreven in deze handleiding. Demonteer geen onderdelen en probeer geen ingrepen uit die niet in de handleiding beschreven staan. Als reparatie nodig is, neemt u contact op met een erkende onderhoudsdienst of uw plaatselijke dealer.

Probleem of storing	Mogelijke oorzaak (defect)	Oplossing
De motor start niet.	De I-O schakelaar staat op "STOP".	Zet de I-O schakelaar op "START".
	Vergeten de opvoerpomp te gebruiken.	7 tot 10 maal indrukken.
	Te langzaam uitgetrokken startkoord.	Goed hard aan trekken.
	Onvoldoende brandstof.	Brandstof bijvullen.
	Onjuiste stand van de chokehendel.	Stel in op "CLOSE" (koude start). Stel in op "OPEN" (warme start).
	Brandstoffilter verstopt.	Reinigen.
	Geknakte of geblokkeerde brandstofleiding.	Buig de brandstofleiding recht of vervang die.
	Brandstof vervuild.	Met vervuilde brandstof kan het starten niet goed lukken. Vervangen door een nieuwe. (Aanbevolen vervangingsperiode: 1 maand)
	Teveel brandstof, motor verzopen.	Zet de gasgeeffrekker van gemiddelde snelheid op hoge snelheid en trek aan de startgreep totdat de motor start. Als de motor nog steeds niet start, verwijdert u de bougie, zorgt u dat de elektroden droog zijn en brengt u de bougie weer aan. Start vervolgens zoals beschreven.
	Losgeraakte bougiedop.	Stevig vastmaken.
	Vervuilde bougie.	Reinigen.
	Onjuiste elektrodenafstand van de bougie.	Stel de elektrodenafstand bij.
	Defecte bougie.	Vervangen.
	Storing in de carburateur.	Verzoek om inspectie en onderhoud.
De motor slaat al gauw af. Het motortoerental wordt niet hoger.	Trekken aan het startkoord lukt niet, of er is geen compressie voelbaar.	Verzoek om inspectie en onderhoud.
	Storing in de aandrijving/elektrisch systeem. (Defecte I-O schakelaar, defecte bedrading, losse aansluiting, enz.)	Verzoek om inspectie en onderhoud.
	Onvoldoende opgewarmde motor.	Laat de motor even warmdraaien.
	De chokehendel staat op "CLOSE" hoewel de motor al is warmgedraaid.	Stel in op "OPEN".
	Laag stationair-toerental.	Regel het stationair-toerental bij.
	Brandstoffilter verstopt.	Reinigen.
	Vervuild of geblokkeerd luchtfilter.	Reinigen.
	Storing in de carburateur.	Verzoek om inspectie en onderhoud.
	Probleem in de uitlaat (verstopt e.d.).	Verzoek om inspectie en onderhoud.
Storing in de aandrijving/elektrisch systeem.	Verzoek om inspectie en onderhoud.	
De motor stopt niet. ↓ Laat de motor stationair draaien en zet de chokehendel dicht, op "CLOSE".	Losgeraakte gasklepdraad.	Stevig vastmaken.
	Losse aansluitstekker.	Stevig vastmaken.
	Defect in het elektrisch systeem.	Verzoek om inspectie en onderhoud.

Als de motor wel opgewarmd is, maar niet start:

Als u geen oplossing vindt via de aangegeven controles, draait u het gas ongeveer 1/3 open en start u vervolgens de motor.

Muchas gracias por haber seleccionado el pulverizador a gasolina DOLMAR. Nos complace poder ofrecerles el pulverizador a gasolina DOLMAR, que es el resultado de un largo programa de desarrollo y muchos años de conocimiento y experiencia.

El pulverizador combina las ventajas de la tecnología más avanzada con un diseño ergonómico. Es útil, compacto y representa el equipo profesional para una gran variedad de aplicaciones.

**Le rogamos que lea, entienda y siga las indicaciones de este folleto, que hace referencia con detalles a los diversos puntos que demuestran su excelente rendimiento. Esto le ayudará a obtener de forma segura los mejores resultados posibles de su pulverizador DOLMAR.**



**Contenidos**

	<b>Página</b>
Símbolos.....	132
Instrucciones de seguridad importantes.....	133
Datos técnicos.....	139
Designación de las partes.....	140
Instrucciones de montaje.....	141
Antes de arrancar el motor.....	142
Arranque y parada del motor.....	144
Ajuste del ralentí.....	145
Método de operación.....	146
Inspección y mantenimiento.....	152
Almacenamiento.....	155
Solución de problemas.....	157

**SÍMBOLOS**

Es muy importante que entienda los símbolos siguientes cuando lea este manual de instrucciones.

	ADVERTENCIA/PELIGRO		Póngase protección respiratoria
	Lea, entienda y siga las indicaciones del manual de instrucciones		Superficies calientes – Quemarán sus dedos o manos
	Prohibido		Combustible (Gasolina)
	No fumar		Arranque manual del motor
	No acercar llamas		Parada de emergencia
	Póngase botas robustas con suelas antideslizantes.		Primeros auxilios
	Póngase ropa de protección apropiada		ENCENDIDO/ARRANQUE
	Se deben utilizar guantes de protección		APAGADO/STOP
	Mantenga alejados a los transeúntes cuando rocíe		Mutilación de los dedos o mano, álabe de la rueda móvil
	Mantenga el área de trabajo despejada de personas y animales domésticos		El cabello largo puede quedar enganchado y ocasionar un accidente
	Utilice protección para los ojos y oídos		Gases venenosos o gases tóxicos. No poner en funcionamiento en un área no ventilada.

## INSTRUCCIONES DE SEGURIDAD IMPORTANTES

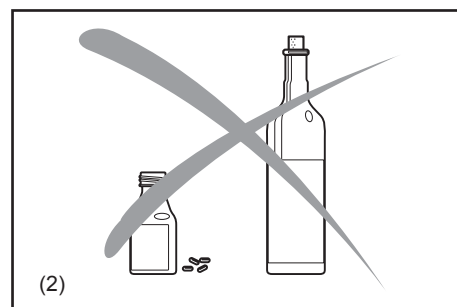
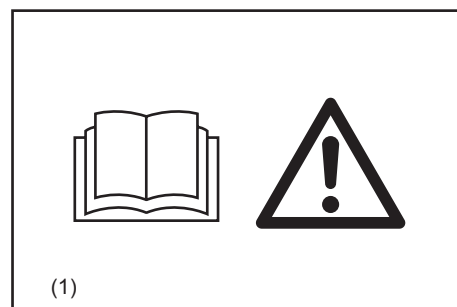
### ⚠️ ADVERTENCIA:

- Lea todas las advertencias de seguridad y todas las instrucciones. Si no sigue las advertencias e instrucciones podrá resultar en una descarga eléctrica, un incendio y/o heridas graves.

### Guarde todas las advertencias e instrucciones para consultarlas en el futuro.

#### Instrucciones generales

- Para garantizar una operación correcta y segura, el usuario debe leer, entender y seguir las indicaciones de este manual de instrucciones para asegurarse de que está familiarizado con el manejo del pulverizador (1). Los usuarios insuficientemente informados pondrán en riesgo de peligro a sí mismos y a otros debido a un manejo incorrecto.
- Se recomienda prestar el pulverizador únicamente a personas que demuestren tener experiencia en el uso de pulverizadores.
- Entregue siempre el manual de instrucciones.
- Los usuarios novatos deberán solicitar instrucciones básicas al distribuidor para familiarizarse con el manejo de un pulverizador.
- No se debe permitir la utilización del pulverizador a niños ni personas menores de 18 años. Sin embargo, las personas mayores de 16 años de edad pueden utilizar la máquina, pero solamente por motivos de aprendizaje bajo la directa supervisión de un instructor cualificado.
- Utilice el pulverizador con sumo cuidado y atención.
- Utilice el pulverizador solamente si se encuentra en buenas condiciones físicas.
- Realice todo el trabajo concienzudamente y con cuidado. El usuario tiene que aceptar responsabilidad por otros.
- No utilice nunca el pulverizador mientras se encuentre bajo la influencia de alcohol o drogas (2).
- No utilice la unidad cuando esté cansado.
- Guarde estas instrucciones para consultarlas en el futuro.



#### Uso previsto para la máquina

- Utilice la máquina correcta. El pulverizador ha sido previsto solamente para rociar productos químicos líquidos y otros líquidos para el control de plagas y malas hierbas en huertos de frutales, flores y verduras, en árboles y arbustos y en otras plantas, como de café, tabaco y algodón. También resulta útil en el mantenimiento de árboles jóvenes para, por ejemplo, controlar los escarabajos de la corteza y otras plagas y enfermedades de plantas. Nunca lo utilice para ninguna otra finalidad.
- Utilice solamente productos para protección de las plantas que estén especialmente aprobados por sus fabricantes para ser utilizados con pulverizadores y que cumplan con todos los reglamentos, normativas y ordenanzas de seguridad aplicables.

Obtenga información sobre cómo utilizar su pulverizador preguntando a su distribuidor. Observe todos los reglamentos, normativas y ordenanzas de seguridad locales aplicables.

Todas las personas que utilicen la máquina y hagan su servicio de mantenimiento deberán estar capacitadas y familiarizadas con los procedimientos apropiados para el manejo de los productos químicos que estén siendo utilizados, así como con los cuidados de primeros auxilios/emergencia, y los reglamentos para el desecho de productos químicos líquidos.

### ⚠️ ADVERTENCIA:

- Su pulverizador es solamente para uso profesional. No preste ni alquile su pulverizador sin el manual de instrucciones. Asegúrese de que cualquiera que lo utilice entienda la información contenida en este manual de instrucciones.

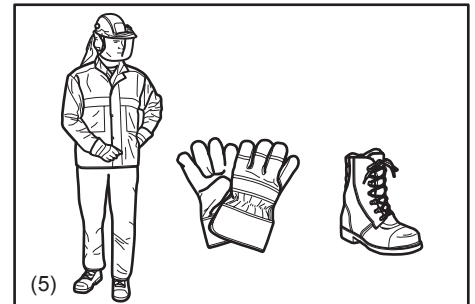
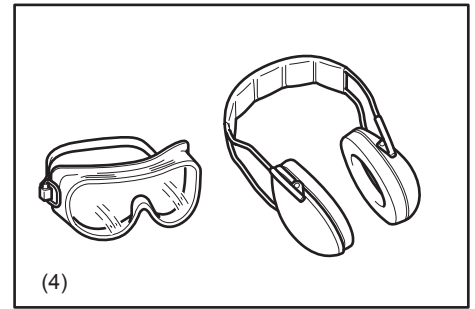
#### Equipo de protección personal

- Para reducir el riesgo de sufrir heridas cuando utilice productos químicos, póngase indumentaria de protección apropiada cuando llene, utilice y limpie el pulverizador. Siga siempre todas las instrucciones del fabricante del producto químico con respecto a la protección apropiada de los ojos, la piel y el sistema respiratorio. Esas instrucciones pueden variar de, y exceder, las precauciones siguientes.
- Cuando se utilicen productos químicos tóxicos, el operario y cualquier transeúnte puede que necesiten ponerse un respirador debidamente adaptado y homologado para el producto químico que está siendo utilizado. Consulte la etiqueta del producto químico. La respiración de productos químicos tóxicos puede ocasionar heridas graves o fatales.
- La vestimenta utilizada deberá ser funcional y apropiada, es decir, deberá ser ceñida pero sin ocasionar trabas. No lleve joyas, ropa o cabello largo que puedan ser atraídos al interior de la admisión de aire. (3)
- Para evitar heridas en la cabeza, los ojos, las manos o pies, así como para proteger los oídos, deberá utilizar el equipo de protección y ropa de protección siguientes durante la utilización del pulverizador.



## Preste especial atención a los reglamentos siguientes

- La ropa debe ser robusta y ceñida, pero que permita una completa libertad de movimiento. Evite las chaquetas holgadas, pantalones acampanados o pinzados, bufandas, cabello largo suelto o cualquier cosa que pueda ser atraída al interior de la admisión de aire.  
Póngase pantalones largos para proteger las piernas.  
No se ponga pantalones cortos. (5)
- El ruido del pulverizador puede dañar sus oídos. Póngase protectores de sonido (tapones de oídos u orejeras) para proteger sus oídos. Las personas que hacen uso continuado o regular del pulverizador deben comprobar el estado de sus oídos regularmente. (4)
- Utilice siempre guantes de goma resistentes a los productos químicos cuando trabaje con el pulverizador. Pisar sobre suelo firme es de lo más importante. Póngase botas de goma resistentes a los productos químicos. (5)
- Es una obligación utilizar protección adecuada para los ojos. Aunque la descarga no esté dirigida hacia el operario, durante la operación del pulverizador pueden ocurrir oscilaciones y saltos hacia atrás. (4)
- No utilice nunca un pulverizador a menos que lleve puestas gafas de protección o gafas de seguridad debidamente colocadas con protección superior y lateral adecuada que satisfagan la normativa ANSI Z 87.1 (o las normativas nacionales aplicables).



## MANEJO DE LOS PRODUCTOS QUÍMICOS

- Algunos de los productos químicos utilizados con su pulverizador pueden contener sustancias tóxicas y/o cáusticas. Tales productos químicos pueden ser peligrosos y ocasionar heridas graves o fatales a personas y animales y/o graves daños a las plantas y el medioambiente.  
Evite el contacto directo con productos químicos.  
Siga las instrucciones del fabricante del producto químico con respecto a cualquier contacto con su producto.
- Lea la etiqueta del fabricante y el manual de instrucciones cada vez antes de mezclar o utilizar productos químicos y antes de almacenarlos o desecharlos.  
No se fie de su memoria.  
Una utilización descuidada o incorrecta puede ocasionar heridas graves o fatales.
- Lea atentamente las etiquetas de los recipientes de productos químicos antes de utilizarlos.  
Los productos químicos están clasificados en categorías de toxicidad.  
Cada categoría tiene unas características de manejo únicas.  
Familiarícese con las características para la categoría del producto químico que esté utilizando.  
Los productos químicos pueden ser utilizados solamente por personas capacitadas en su manejo y en los primeros auxilios apropiados.
- Los productos químicos pueden ser perjudiciales para las personas, los animales y el medioambiente si se utilizan incorrectamente. Además, se aconseja no utilizar en su pulverizador algunos productos químicos que son cáusticos, corrosivos o venenosos.
- Mezcle solamente pesticidas compatibles. Las mezclas incorrectas pueden producir gases tóxicos.  
Cuando maneje y rocíe productos químicos, asegúrese de que realiza la operación de acuerdo con las normas y directrices de protección medioambiental locales, estatales y federales. No rocíe cuando haya viento. Para ayudar a proteger el medioambiente, utilice solamente las dosis recomendadas – no haga un uso excesivo.  
Preste especial atención cuando utilice productos químicos cerca de cuencas, vías fluviales, etc.
- Evite abrir la boca como para comer, beber, o fumar mientras maneja productos químicos o mientras está rociando. No sople nunca con la boca a través de boquillas, tubos, conductos o ningún otro componente. Maneje siempre los productos químicos en un área bien ventilada llevando puestos la ropa de protección y el equipo de seguridad apropiados.  
No almacene o transporte productos químicos junto con alimentos, bebidas, o medicinas, y nunca reutilice un recipiente de productos químicos para ningún otro propósito.  
No transfiera productos químicos líquidos a otros recipientes, especialmente a recipientes de alimentos y/o bebidas.
- En caso tocar o ingerir accidentalmente productos químicos o en caso de contaminar la ropa, deje de trabajar y consulte las instrucciones del fabricante del producto químico inmediatamente.  
Si tiene dudas sobre qué hacer, pregunte sin demora en un centro de control de venenos o a un médico para que le aconseje.  
Mantenga la etiqueta del producto lista para leerla o mostrarla a la persona que consulte.  
Limpie inmediatamente todo producto químico derramado.  
Deseche cualquier residuo observando las leyes y reglamentos estatales, federales o de su país.
- Mantenga los productos químicos fuera del alcance de niños, otras personas no autorizadas y animales.  
Cuando no los esté utilizando, almacene los productos químicos en un lugar seguro y cerrado con llave. Siga las recomendaciones del fabricante para el almacenamiento apropiado.

## Preparación de productos químicos

- Prepare las soluciones químicas de acuerdo con las instrucciones del fabricante del producto químico.
- Prepare solución suficiente solo para el trabajo en cuestión de forma que no sobre solución.
- Mezcle los productos químicos solamente siguiendo las instrucciones – las mezclas incorrectas pueden producir gases tóxicos o resultar explosivas.
- No rocíe nunca productos químicos sin diluir.
- Prepare la solución y llene el recipiente solamente en un lugar bien ventilado en el exterior.
- El operario deberá clarificar el nombre del producto químico que está utilizando actualmente.

## Almacenamiento

- No almacene más de un día en un recipiente una solución para rociar.
- Almacene y transporte siempre las soluciones para rociar en recipientes homologados.
- No almacene o transporte nunca una solución para rociar en contenedores pensados para alimentos, bebidas o comida para animales.
- No almacene o transporte nunca una solución para rociar con alimentos, bebidas o comida para animales.
- Mantenga la solución para rociar fuera del alcance de niños, otras personas no autorizadas y animales.
- Almacene la solución para rociar en un lugar cerrado con llave que sea seguro contra el uso no autorizado.

## Desecho

No deseche nunca los productos químicos sobrantes o las soluciones de aclarado contaminadas en vías fluviales, desagües, alcantarillas, cunetas de la calle, bocas de alcantarillas o similares.

Cuando vaya a desechar aguas de aclarado contaminadas, observe todas las leyes, reglamentos y ordenanzas aplicables.

Observe estrictamente las instrucciones de precaución del fabricante del producto químico.

## Llenado del recipiente

- Apriete todas las conexiones y compruebe para asegurarse de que tanto los conductos como los tubos están sujetos firmemente y en buenas condiciones. Mantenga la palanca de descarga de solución cerrada.
- Antes de utilizar el pulverizador con productos químicos, llénelo con agua dulce para asegurarse de que lo ha montado debidamente y practique rociando. También, compruebe si hay alguna fuga en este momento. Cuando se sienta bien familiarizado con la operación del pulverizador, siga los procedimientos de operación normales.
- Llene su pulverizador en un lugar bien ventilado en el exterior.
- No utilice:
  - sustancias inflamables en el pulverizador, que pueden ocasionar una explosión y resultar en heridas graves o fatales;
  - materiales cáusticos o corrosivos en el pulverizador, que podrían resultar en daños a la unidad;
  - líquidos con una temperatura por encima de los 50°C para reducir el riesgo de escaldarse o dañar la unidad.

Para llenar el depósito de solución, ponga el pulverizador sobre una superficie plana, llene la solución solamente en buenas condiciones de luz y visibilidad. Para reducir el riesgo de contaminar el entorno circundante, tenga cuidado de no llenar demasiado el depósito de solución con la solución química.

Para reducir el riesgo de sufrir heridas, no llene el pulverizador mientras lo lleva en la espalda.

Si llena el depósito de solución con una manguera desde un suministro de agua centralizado, asegúrese de que el extremo de la manguera está fuera de la solución para reducir el riesgo de que se produzca un refluo, es decir, que los productos químicos sean succionados al interior del suministro de agua en caso de se produzca un vacío repentino.

Calcule la cantidad correcta de solución química para utilizarla completamente de una vez, sin que sobre solución en el depósito.

Después de llenar, coloque el tapón del depósito de solución y apriételo firmemente.

- Compruebe si hay fugas mientras llena y durante la operación. Una fuga del depósito de solución o una conexión floja podría empapar sus ropas y entrar en contacto con su piel.

## Arranque del pulverizador

- Asegúrese de que no hay niños u otras personas en un radio de trabajo de 20 metros (6), preste también atención a cualquier animal en la proximidad del área de trabajo.

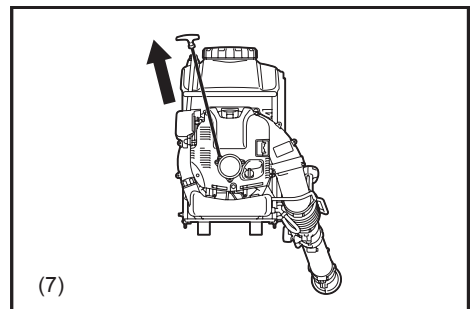
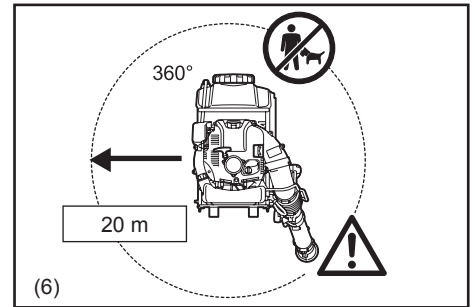
No utilice nunca el pulverizador en áreas urbanas.

- Antes de la operación, compruebe siempre que el pulverizador se puede utilizar de forma segura:

Compruebe la seguridad del gatillo acelerador. El gatillo acelerador deberá ser comprobado para ver que se acciona suavemente y con facilidad. Compruebe que el bloqueo del gatillo acelerador funciona debidamente.

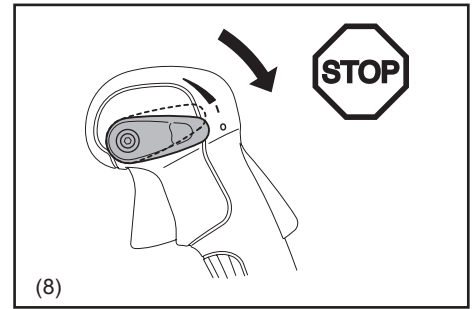
Compruebe que los mangos están limpios y secos y pruebe el funcionamiento de la palanca de control de parada. Mantenga los mangos libres de aceite y combustible.

- Para reducir el riesgo de fugas y el contacto de productos químicos con la piel, compruebe que el tapón del recipiente y todas las conexiones en la ruta del rocío están apretados, y asegúrese de que la manguera está firmemente sujeta y en buenas condiciones. Mantenga la palanca de descarga de solución cerrada.
- Asegúrese de que la palanca de descarga de solución está cerrada antes de arrancar la máquina.
- Compruebe que el capuchón de la bujía está montado firmemente en la bujía – un capuchón de bujía flojo puede formar arco eléctrico que a su vez puede inflamar los gases de combustible y ocasionar un incendio.
- Compruebe la condición de las correas del arnés y reemplace las correas dañadas o gastadas.
- Ajuste la correa de los hombros en función de su talla antes de comenzar a trabajar. En una emergencia, usted puede deslizarse afuera de la correa de los hombros y lanzar la máquina rápidamente. Practique deslizándose fuera del arnés un número de veces antes de utilizar la máquina para acostumbrarse a ello. No lance la máquina mientras practica porque podría dañarla.
- Cuando tire del tirador de arranque, no enrolle el cordón del arrancador alrededor de su mano. No deje que el tirador de arranque retroceda bruscamente; en su lugar guíe el cordón del arrancador para que se enrolle debidamente. Si no sigue este procedimiento puede resultar en heridas en su mano o dedos y el mecanismo del arrancador podrá dañarse.
- Es posible que necesite la ayuda de otra persona para ponerse el pulverizador en la espalda después de arrancarlo. Para reducir el riesgo de que el ayudante sea herido por objetos lanzados, rocío/líquido químico o por el contacto con gases de escape calientes, mantenga el motor al ralentí durante este breve periodo, y no deje que el ayudante se ponga en el área de la boquilla de salida o del escape. De lo contrario, el pulverizador deberá ser arrancado y utilizado sin ayuda.
- Arranque el pulverizador solamente de acuerdo con las instrucciones.
- ¡No utilice ningún otro método para arrancar el motor! (7)
- Utilice el pulverizador y los accesorios suministrados solamente para las aplicaciones especificadas.
- Arranque el motor del pulverizador solamente después de haber completado el montaje de toda la máquina. La operación de la máquina está permitida solamente después de haber colocado todos los accesorios apropiados.
- El motor deberá ser apagado inmediatamente si surge cualquier problema con el motor.
- Utilice el pulverizador para operación en solitario con la mano derecha en el mango de control. Transpórtelo como una mochila con las correas de los hombros sobre ambos hombros.  
Para reducir el riesgo de perder el control, no transporte nunca el pulverizador con la(s) correa(s) sobre un solo hombro.
- Cuando trabaje con el pulverizador, pliegue siempre sus dedos firmemente alrededor del mango, manteniendo el mango de control mecido entre sus dedos pulgar e índice. Mantenga la mano en esta posición para tener la máquina bajo control en todo momento. Asegúrese siempre de que el mango de control está en buenas condiciones y libre de humedad, resina, aceite o grasa.
- Asegúrese siempre de que pisa suelo firme y de que mantiene un buen equilibrio.
- Para poder mantener el depósito de solución en posición vertical y reducir el riesgo de derramamiento, no se agache doblando la cintura. Agáchese solamente doblando las rodillas y apóyese de la forma requerida para asegurar un buen equilibrio.  
Recuerde que un pulverizador lleno de líquido tiene un peso considerable.  
Utilice precaución adicional cuando se incline, agache o camine.
- Utilice el pulverizador de tal manera que evite la inhalación de los gases de escape. No tenga nunca el motor en marcha en lugares cerrados (riesgo de sofocación e envenenamiento por gas). El monóxido de carbono es un gas inodoro.  
Asegúrese siempre de que hay una ventilación adecuada.
- Su pulverizador no está aislado contra descargas eléctricas. Para reducir el riesgo de electrocución, no utilice nunca el pulverizador cerca de cualquier cable o cables (eléctricos, etc.) por los que puedan estar circulando corriente eléctrica. No rocíe sobre o cerca de instalaciones eléctricas.



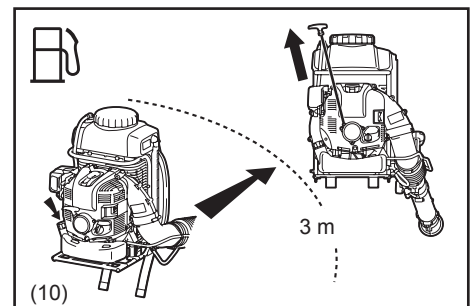
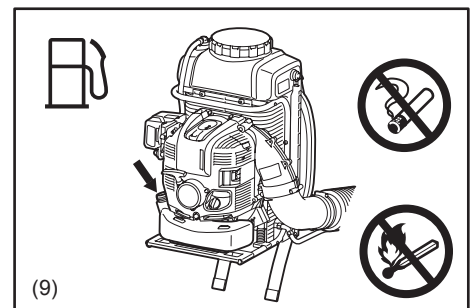


- Apague el motor cuando descansa o cuando deje el pulverizador sin atender. Colóquelo en un lugar seguro para evitar poner en peligro a otras personas, prender fuego a materiales combustibles, o daños a la máquina (8).
- No ponga nunca el pulverizador caliente sobre hierba seca o cualquier material combustible.
- No ponga el pulverizador en el suelo cuando esté funcionando a alta velocidad, porque los objetos pequeños como la arena, la hierba, el polvo, etc., pueden ser atraídos al interior de la admisión de aire y dañar el ventilador.
- Durante los descansos, no deje el pulverizador al calor de la luz solar directa ni cerca de cualquier fuente de calor.
- Todas las partes protectoras y cubiertas suministradas con la máquina deben ser utilizadas durante la operación.
- No tenga nunca en marcha el motor con un silenciador de escape defectuoso.
- No ponga la mano dentro del orificio de escape. El silenciador se pone muy caliente durante la operación, y puede ocasionar quemaduras.
- No toque la cubierta del motor durante largo tiempo. Se puede poner muy caliente durante la operación y puede ocasionar quemaduras.
- Apague el motor durante el transporte (8).
- Posicione el pulverizador de forma segura durante su transporte en automóvil o camión para evitar fugas de combustible.
- Cuando transporte el pulverizador, asegúrese de que el depósito de combustible y el recipiente de líquido/productos químicos están completamente vacíos.



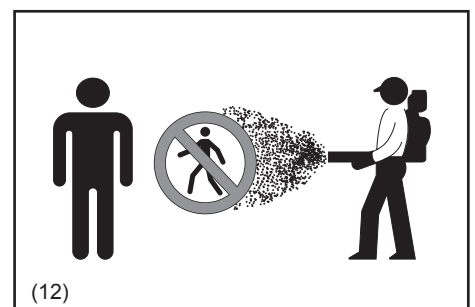
### Repostaje

- Pare el motor (8) durante el repostaje, manténgase alejado de llamas (9) y no fume.
- Evite el contacto de la piel con productos de petróleo. No inhale vapor de combustible.  
Póngase siempre guantes de protección durante el repostaje. Cambie y lave la ropa de protección a intervalos regulares.
- Tenga cuidado de no derramar combustible ni aceite para evitar contaminar la tierra (protección medioambiental). Limpie el pulverizador inmediatamente después de que se haya derramado combustible. Deje que las ropas mojadas se sequen antes de depositarlas en un contenedor debidamente cubierto para evitar una combustión espontánea.
- Evite todo contacto del combustible con sus ropas. Cámbiese de ropa inmediatamente si se ha derramado combustible en ellas (riesgo de incendio).
- Inspeccione el tapón del depósito de combustible a intervalos regulares asegurándose de que permanece firmemente apretado.
- Apriete con cuidado el tornillo de bloqueo del depósito de combustible. Cambie de lugar para arrancar el motor (separado al menos 3 metros del lugar de repostaje) (10).
- No reposte nunca en lugares cerrados. Los vapores de combustible se acumulan a nivel del suelo (riesgo de explosiones).
- Transporte y almacene el combustible solamente en recipientes homologados. Asegúrese de que los niños no puedan entrar al lugar donde esté almacenado el combustible.
- No intente repostar un motor caliente o puesto en marcha.



### Método de operación

- Utilice el pulverizador solamente en buenas condiciones de luz y visibilidad. Durante las estaciones frías, tenga cuidado con las áreas resbaladizas o mojadas, el hielo y la nieve (riesgo de resbalar).  
Asegúrese siempre de que pisa suelo firme (11).
- Nunca trabaje sobre superficies poco estables o terrenos con gran desnivel (11).
- Si no está familiarizado con los riesgos asociados al producto químico en particular que usted utiliza, revise la etiqueta del producto y/o la hoja de datos de seguridad para esa sustancia y/o consulte al fabricante/distribuidor del material.  
También puede preguntar a su empresario, agencias gubernamentales y otras fuentes para obtener información sobre materiales peligrosos.  
Algunas otras autoridades han publicado listas de sustancias que se sabe ocasionan cáncer, toxicidad reproductiva, etc. (11).
- Para reducir el riesgo de sufrir heridas personales, no dirija el chorro de aire hacia transeúntes, dado que la alta presión del flujo de aire puede herir los ojos y puede lanzar pequeños objetos a gran velocidad (12).
- No rocíe nunca en la dirección de personas, animales o propiedad que puedan resultar heridos o dañados por el rociado (12).
- No inserte nunca ningún objeto extraño en la admisión de aire de la máquina ni en la boquilla del pulverizador. Se dañará el ventilador y podrá ocasionar heridas graves al operario o a transeúntes si el objeto o partes rotas salen lanzados a gran velocidad.
- Preste atención a la dirección del viento, por ejemplo, no trabaje a contraviento.
- Para reducir el riesgo de tropezar y perder el control, no camine hacia atrás mientras maneja la máquina.
- Apague siempre el motor antes de limpiar o realizar el servicio a la unidad o cuando reemplace partes.
- Descansa para evitar la pérdida de control a causa de la fatiga. Se recomienda tomar un descanso de 10 a 20 minutos cada hora.



## Después de terminar el trabajo

- Lávese siempre concienzudamente con jabón y agua después de rociar o manejar productos químicos. Dese una ducha inmediatamente, y lave todas las ropas de protección separadamente de otras prendas.

Siga cualquier otra recomendación ofrecida por el fabricante del producto químico. Limpie siempre el polvo y la suciedad del pulverizador.

- Vacíe, aclare y limpie el depósito de solución y el ensamblaje después de cada utilización. Esto evita que la solución se cristalice, lo cual podría más tarde ocasionar un atasco y daño químico a la unidad. Además, los productos químicos residuales pueden tener efectos no deseados durante las subsiguientes rociadas con un tipo diferente de producto químico (por ejemplo, el herbicida residual puede dañar o matar plantas cuando se rocíe con pesticida).

No almacene el pulverizador con solución para rociar en el depósito de solución.

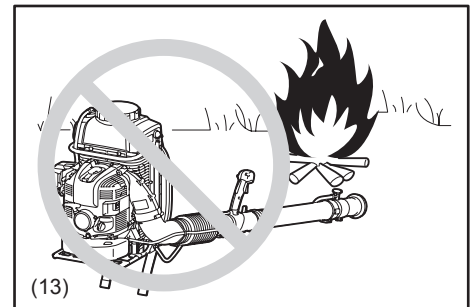
- Mantenga a los niños, las personas no involucradas y los animales domésticos alejados de las áreas que acaban de ser rociadas.

Después de la utilización de algunos productos químicos, especialmente los pesticidas agrícolas, deberá ponerse un aviso en el área tratada indicando que hay vigente un "Intervalo de entrada restringida" (IER).

Consulte la etiqueta del producto químico y los reglamentos gubernamentales aplicables.

## Instrucciones de mantenimiento

- Realice la limpieza y el mantenimiento antes del almacenamiento.
- Sea respetuoso con el medioambiente. Utilice el pulverizador con el menor ruido y contaminación posibles. En especial, compruebe el correcto ajuste del carburador.
- Limpie el pulverizador a intervalos regulares y compruebe que todos los tornillos y tuercas están apretados firmemente.
- No realice nunca el servicio ni almacene el pulverizador cerca de llamas, chispas, etc. (13).
- Almacene siempre el pulverizador en un cuarto bien ventilado cerrado con llave y con el depósito de combustible y el depósito de solución vacíos.



**Observe y siga todas las instrucciones de prevención de accidentes aplicables emitidas por las asociaciones gremiales y compañías de seguros.**

**No realice ninguna modificación al pulverizador porque pondrá en riesgo la seguridad.**

Los trabajos de mantenimiento y reparación por parte del usuario están limitados a únicamente aquellos descritos en este manual de instrucciones. Todos los demás trabajos deberán ser realizados por agentes de servicio autorizados.

Utilice solamente piezas de repuesto y accesorios genuinos suministrados por DOLMAR.

La utilización de accesorios y máquinas no homologados conlleva un aumento en el riesgo de accidentes o heridas. DOLMAR no aceptará ninguna responsabilidad por los accidentes o daños causados por la utilización de cualquier aditamento o accesorio no homologado.

## Primeros auxilios

En caso de accidente asegúrese de que hay disponible un botiquín de primeros auxilios bien abastecido cerca del lugar donde realiza el trabajo. Reemplace inmediatamente cualquier artículo que coja del botiquín de primeros auxilios.

Cuando tenga que pedir ayuda, le rogamos que dé la información siguiente:

- Lugar del accidente
- Qué ha ocurrido
- Número de personas heridas
- Gravedad de las heridas
- Su nombre



## Embalaje

El pulverizador DOLMAR se entrega en una caja de cartón protectora para evitar daños durante el envío. El cartón es una materia prima básica y es por consiguiente reusable o apropiado para reciclar (reciclado de papel de desecho).

## GUARDE ESTAS INSTRUCCIONES.

### ⚠ ADVERTENCIA:

- NO deje que la comodidad o familiaridad con el producto (a base de utilizarlo repetidamente) sustituya la estricta observancia de las normas de seguridad para el producto en cuestión. El MAL USO o el no seguir las normas de seguridad establecidas en este manual de instrucciones puede ocasionar heridas personales graves.

## Para países europeos solamente

### Declaración de conformidad CE

#### Makita declara que la(s) máquina(s) siguiente(s):

Designación de máquina: Pulverizador a gasolina

Modelo N.º/Tipo: SP-7650.4 R

Especificaciones: consulte la tabla de "DATOS TÉCNICOS"

#### Cumplen con las directivas europeas siguientes:

2006/42/CE, 2000/14/CE

Están fabricadas de acuerdo con las normas o documentos normalizados siguientes:

EN ISO 28139, ISO 10988

El archivo técnico de acuerdo con la norma 2006/42/CE está disponible en:

Makita, Jan-Baptist Vinkstraat 2, 3070, Bélgica

El procedimiento de valoración de conformidad requerido por la Directiva 2000/14/CE ha sido realizado de acuerdo con el anexo V.

Nivel de potencia de sonido medido: 110,1 dB

Nivel de potencia de sonido garantizado: 111 dB

8.7.2014

Yasushi Fukaya  
Director

Makita, Jan-Baptist Vinkstraat 2, 3070, Bélgica

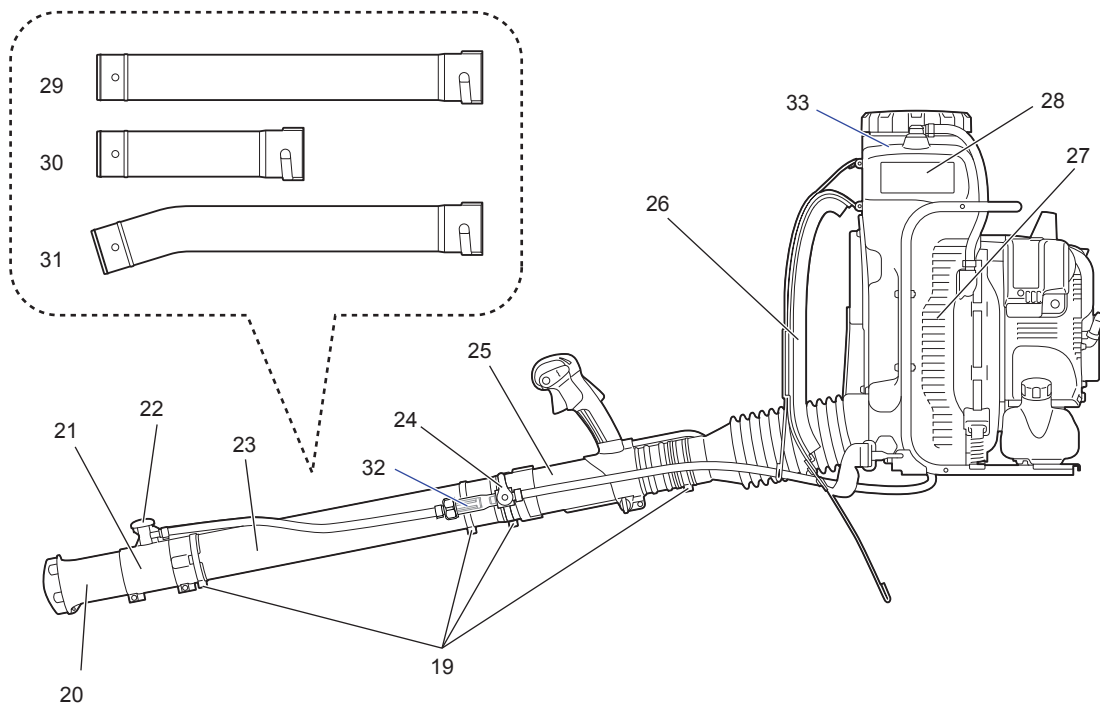
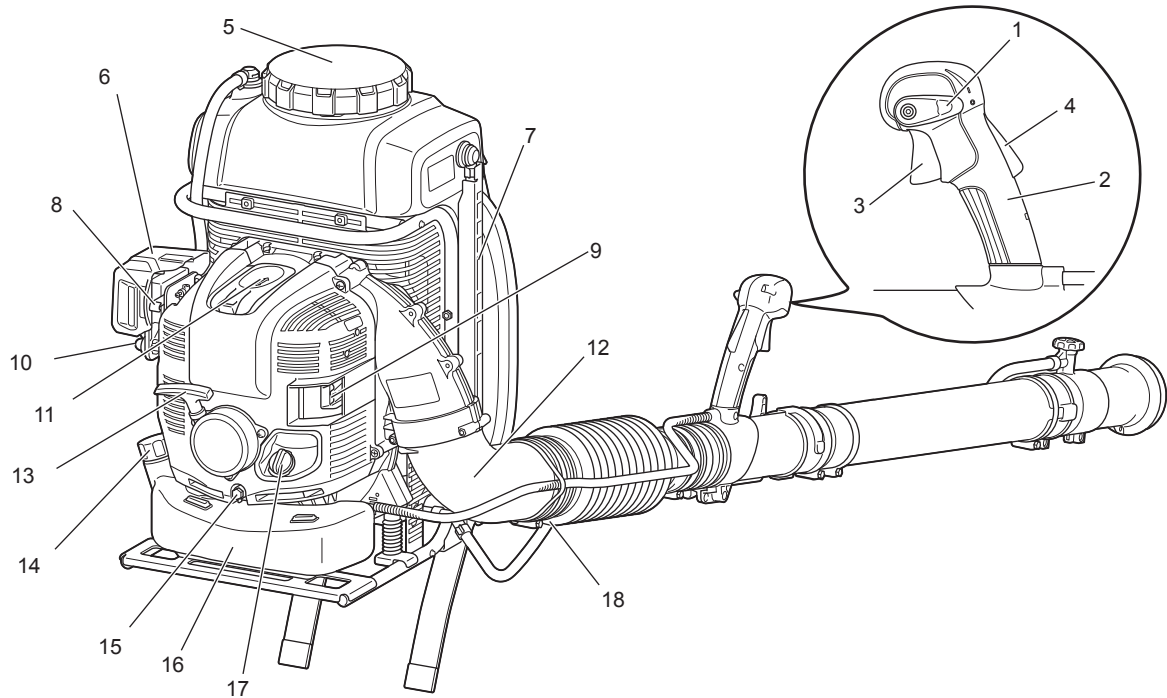
## DATOS TÉCNICOS

Modelo		SP-7650.4 R	
Peso (con depósito de combustible lleno, depósito de solución lleno, 220 ml de aceite de motor)	(kg)	30,4	
Peso (peso seco)	(kg)	14,1	
Dimensiones (sin el tubo del soplador La x An x Al)	(mm)	420 x 440 x 595	
Tipo de motor		4-tiempos, enfriado por aire, un solo cilindro	
Máximo rendimiento del motor	(kW)	2,7	
Máxima velocidad del motor	(min <sup>-1</sup> )	7.400	
Ralentí	(min <sup>-1</sup> )	2.800	
Desplazamiento del motor	(cm <sup>3</sup> )	75,6	
Combustible		Gasolina para automóviles	
Capacidad del depósito de combustible	(L)	1,8	
Aceite de motor		Aceite SAE 10W-30 de clasificación API clase SF o superior (aceite de motor de 4-tiempos para automóviles)	
Volumen del aceite de motor	(L)	0,22	
Carburador (Carburador de diafragma)		WALBRO WYK	
Bujía		NGK CMR6A	
Separación entre electrodos	(mm)	0,7 – 0,8	
Capacidad del depósito de solución	(L)	15,0	
Rango de rociado (Horizontal / vertical)	(m)	16 / 13	
Máxima velocidad del aire	(m/s)	85	
Caudal de aire	(m <sup>3</sup> /min)	14,1	
Vibración según ISO 22867	a <sub>hv eq</sub>	(m/s <sup>2</sup> )	2,7
	Incertidumbre K	(m/s <sup>2</sup> )	0,8
Nivel promedio de presión de ruido según ISO 22868	L <sub>PA eq</sub>	dB (A)	95,4
	Incertidumbre K	dB (A)	2,9
Nivel promedio de potencia de ruido según ISO 22868	L <sub>WA eq</sub>	dB (A)	110,1
	Incertidumbre K	dB (A)	1,3

Nota:

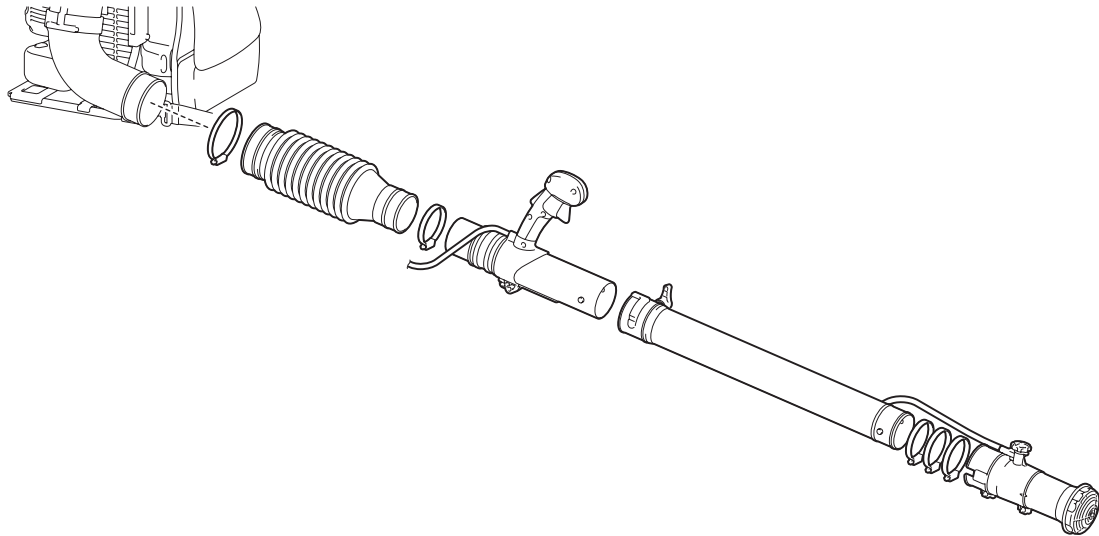
1. Utilice el aceite y la bujía especificados en la tabla.
2. Esta especificación está sujeta a cambios sin previo aviso.
3. Utilice la línea de nivel 10 L como guía para el peso bruto de 25 kg del pulverizador incluyendo la solución.
4. Los niveles de vibración y ruido han sido medidos utilizando el tubo recto (largo).

## DESIGNACIÓN DE LAS PARTES



1. Palanca de control de parada	12. Codo	23. Tubo recto
2. Mango de control	13. Tirador de arranque	24. Palanca de descarga de solución
3. Gatillo acelerador	14. Tapón del depósito de combustible	25. Tubo de rótula
4. Palanca de desbloqueo	15. Perno de drenaje del aceite	26. Correa de los hombros
5. Tapón del depósito de solución	16. Depósito de combustible	27. Malla de admisión de aire
6. Tapa del filtro de aire	17. Tapón del aceite	28. Depósito de solución
7. Tubo para comprobación del nivel de solución	18. Abrazadera para manguera (diámetro 100 mm)	29. Tubo recto (largo) (accesorio opcional)
8. Palanca de estrangulación	19. Abrazadera para manguera (diámetro 76 mm)	30. Tubo recto (corto) (accesorio opcional)
9. Silenciador	20. Boquilla principal	31. Tubo doblado (accesorio opcional)
10. Cebador	21. Boquilla secundaria	32. Colador del tubo de empalme
11. Tapa de la bujía	22. Pomo de ajuste del líquido	33. Colador del depósito de solución (en el depósito de solución)

# INSTRUCCIONES DE MONTAJE



## Montaje de los tubos del pulverizador

### ⚠ PRECAUCIÓN:

- Antes de realizar cualquier trabajo en el pulverizador, pare siempre el motor y extraiga los conectores de la bujía.
- ¡Póngase siempre guantes de protección!
- Arranque el pulverizador solamente después de haberlo montado completamente.
- Asegúrese de que todas las abrazaderas para manguera están apretadas después de hacer el montaje.

### NOTA:

- Asegúrese de que las cabezas de los pernos de las abrazaderas sobresalen por el lado exterior cuando las apriete como se muestra en la ilustración.

1. Monte el tubo de rótula (1) con el tubo flexible (2).  
Apriételes con la abrazadera de 76 mm de diámetro (3).

2. Monte el tubo flexible con el codo (4) del pulverizador.  
Apriételes con la abrazadera de 100 mm de diámetro (5).

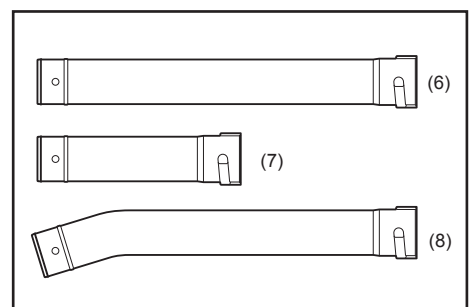
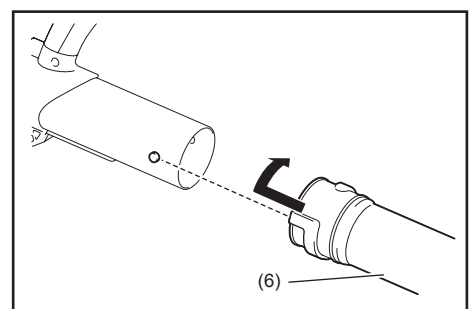
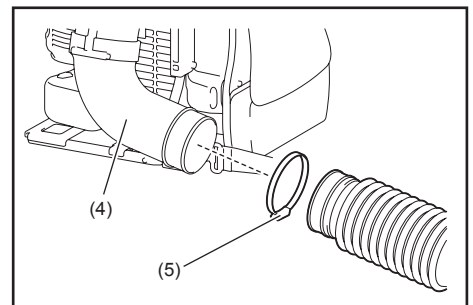
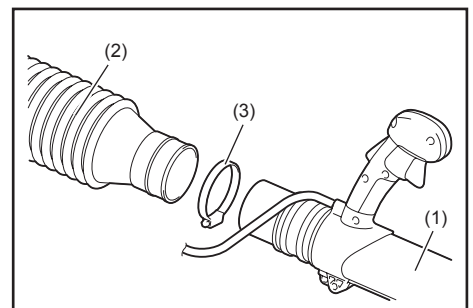
3. Monte el tubo recto (6) con el tubo de rótula (1).  
Alinee la ranura del tubo recto con el saliente en el tubo de rótula, y gire el tubo recto hasta que produzca un chasquido, y después apriételes con la abrazadera de 76 mm de diámetro (3).

### NOTA:

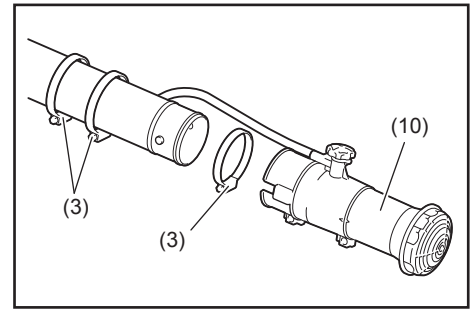
- El tubo recto mencionado arriba se refiere a los tres tubos siguientes y pueden ser sustituidos dependiendo de lo que necesite para su trabajo.
  - Tubo recto (largo) (6)
  - Tubo recto (corto) (7)
  - Tubo principal doblado (8)

Con su pulverizador se suministra como equipo de serie solamente un tubo o la combinación de los tubos de arriba, que puede variar de un país a otro.

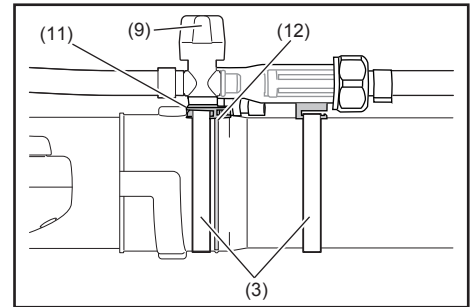
El resto de los tipos de tubos puede que sea necesario obtenerlos como accesorios opcionales.



4. Coloque dos abrazaderas de 76 mm de diámetro (3) en el tubo sin apretarlas (esas abrazaderas se utilizan para apretar la palanca de descarga de solución y el tubo de empalme más tarde).  
 Monte la boquilla secundaria (10) con el tubo recto.  
 Apriételos con otra abrazadera de 76 mm de diámetro (3).



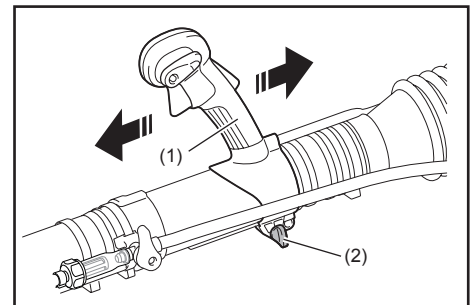
5. Ponga la palanca de descarga de solución (9) sobre el tubo.  
 Asegúrese de que el lado abierto de la base de la palanca (11) está orientado hacia el tubo de rótula.  
 Alinee la base de la palanca con la ranura del saliente del tubo recto (12).  
 Después apriételos con las abrazaderas de 76 mm de diámetro (3).



6. Asegúrese de que las abrazaderas están bien apretadas.

### Ajuste y sujeción del mango de control

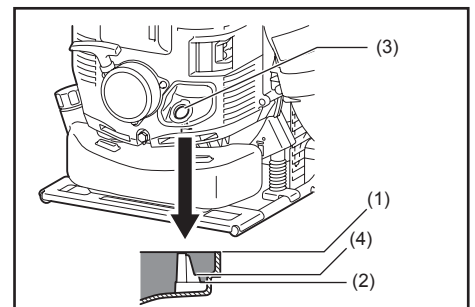
1. Ponga la máquina en la espalda y ajuste la correa de los hombros (consulte "Ajuste de la correa de los hombros").
2. Deslice el mango de control (1) a lo largo del tubo a la posición más cómoda.
3. Sujete el mango de control girando el pomo (2).



## ANTES DE ARRANCAR EL MOTOR

### 1. Comprobación y rellenado del aceite de motor

- 1) Siga el procedimiento de abajo cuando el aceite de motor esté frío, es decir, el pulverizador no ha estado puesto en marcha.
  - Inspección: Ponga el pulverizador sobre una superficie plana y retire el tapón del aceite. Verifique que el nivel de aceite está dentro de las marcas de límite superior (1) e inferior (2) del medidor de nivel de aceite (3). Si el aceite no llega hasta el nivel de 100 ml (4), rellene con aceite nuevo.
  - Añadir aceite:  
 Ponga el pulverizador sobre una superficie plana y retire el tapón del aceite. Llène aceite hasta el límite superior del medidor de nivel de aceite.
- 2) En promedio, se debe añadir aceite de motor cada 20 horas de funcionamiento. Este intervalo para cada cambio de aceite corresponde a repostar el pulverizador 10 – 15 veces aproximadamente.
- 3) Cambie el aceite siempre que se vuelva sucio o cambie de color significativamente. (Consulte P. 152 para ver el procedimiento y la frecuencia del cambio de aceite).  
 Aceite recomendado: Aceite genuino de DOLMAR o aceite SAE10W-30 de tipo API grado SF o mejor (aceite de motor de 4-tiempos para automóviles)  
 Capacidad de aceite: Aproximadamente 0,22 L (220 ml)



#### ⚠ PRECAUCIÓN:

- Si no almacena el pulverizador en posición vertical, el aceite puede fluir por el medidor de nivel hacia el motor y producir una lectura falsa cuando compruebe el nivel de aceite. Esto puede resultar en un llenado excesivo por error cuando añada aceite de motor. Almacene siempre el pulverizador en posición vertical.
- Si se excede el límite superior del nivel de aceite, podrá dar lugar a que el aceite se ensucie y a humo blanco debido a un quemado excesivo de aceite.

#### Punto a comprobar #1: Concerniente al tapón del aceite cuando se añade aceite

- Limpie la suciedad y la mugre alrededor de la abertura antes de retirar el tapón del aceite.
- Retire el tapón del aceite y póngalo sobre una superficie limpia de forma que no acumule nada de arena, suciedad, u otros materias extrañas. Estas sustancias pueden adherirse al tapón y adulterar el aceite de motor si no se toman los cuidados apropiados. Un aceite que contenga arena, suciedad, o materias extrañas puede causar un desgaste excesivo del motor debido a una lubricación inapropiada y resultar en una avería.

### **Punto a comprobar #2: Si se derrama aceite cuando se añade aceite**

- Si se derrama aceite sobre el exterior del pulverizador podrá resultar en que el aceite de motor se ensucie o adultere. Por consiguiente, limpie cualquier derrame de aceite antes de arrancar el motor.

## **2. Suministro de combustible**

### **⚠ ADVERTENCIA:**

- Cuando suministre el combustible, asegúrese de observar las instrucciones siguientes para evitar una ignición o un incendio:
  - El suministro de combustible deberá ser realizado en un lugar donde no haya fuego. No lleve nunca el fuego (fumando, etc.) cerca del lugar donde realiza el suministro de combustible.
  - Pare el motor y déjelo enfriar antes de realizar el suministro de combustible.
  - Reposte sobre una superficie plana. No reposte en un lugar inestable o mal ventilado.
  - Reposte en buenas condiciones de luz y visibilidad.
  - Reposte en un lugar abierto y despejado.
  - Abra el tapón del depósito de combustible lleno de combustible despacio. El combustible puede salir forzado debido a la presión interna.
  - Tenga cuidado de no derramar el combustible. Cualquier combustible derramado deberá ser limpiado.
  - No reposte más combustible del necesario.
  - Realice el suministro de combustible en un lugar bien ventilado.
- Maneje el combustible con cuidado.
  - Si el combustible se adhiere a la piel o entra en los ojos puede ocasionar alergias o irritación. Cuando detecte cualquier anomalía física, consulte a un médico especializado inmediatamente.

### **Periodo de almacenamiento del combustible**

El combustible deberá consumirse dentro de un periodo de 4 semanas, aunque esté almacenado en un recipiente especial en un lugar bien ventilado y sombreado.

Si no se utiliza un recipiente especial o si el recipiente no está tapado, el combustible se puede deteriorar en un día.

### **Almacenamiento de la máquina y el depósito de relleno**

- Mantenga la máquina y el depósito en un lugar fresco y libre de la luz solar directa.
- No deje nunca el combustible en la cabina ni en el maletero de un automóvil.

### **Combustible**

El motor es un motor de 4-tiempos. Asegúrese de utilizar gasolina para automóviles (gasolina normal o gasolina súper).

### **Puntos relacionados con el combustible**

- No utilice nunca una mezcla de gasolina que contenga aceite de motor. De lo contrario, ocasionará una acumulación de carbón excesiva o problemas mecánicos.
- La utilización de combustible deteriorado ocasionará un arranque irregular.

Cuando vaya a repostar, asegúrese de parar el motor y asegúrese de que el motor está frío.

### **Método de repostaje**

- Afloje un poco el tapón del depósito para que no haya diferencias en la presión atmosférica.
- Quite el tapón del depósito, y reposte al tiempo que deja salir el aire inclinando el depósito de combustible de manera que el orificio de repostaje quede orientado hacia arriba. (No rellene nunca combustible hasta el borde del orificio de llenado de aceite).
- Después de repostar, apriete el tapón del depósito firmemente.
- Si hay algún defecto o daño en el tapón del depósito, reemplácelo.
- El tapón del depósito se deteriorará con el tiempo. Reemplace el tapón del depósito cada dos o tres años.

# ARRANQUE Y PARADA DEL MOTOR

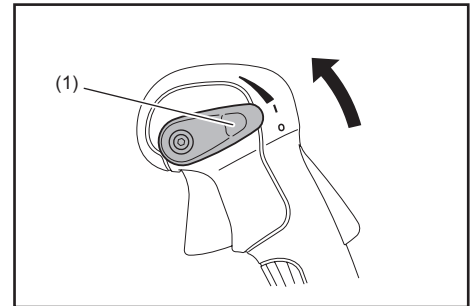
## 1. Arranque

### ⚠ ADVERTENCIA:

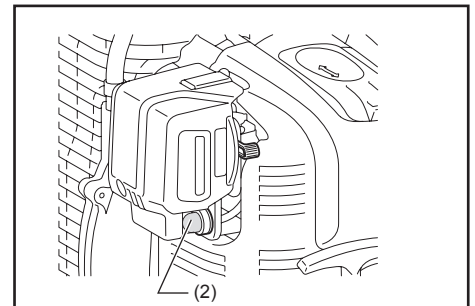
- No intente nunca arrancar el motor en un lugar donde la unidad ha sido repostada. Cuando arranque el motor, mantenga una distancia de al menos 3 metros.
  - De lo contrario, podrá causar una ignición o un incendio.
- El gas de escape del motor es tóxico. No ponga en marcha el motor en un lugar mal ventilado, como en un túnel, edificio, etc.
  - Si pone en marcha el motor en un lugar mal ventilado el gas de escape podrá ocasionar un envenenamiento.
- En el caso de que después de arrancar sienta cualquier anomalía en el sonido, el olor, o la vibración, pare inmediatamente el motor y realice una inspección.
  - Si sigue operando el motor sin atender tal anomalía, podrá ocurrir un accidente.
- Asegúrese de que el motor se para cuando la palanca de control de parada es puesta en la posición "O".
- Asegúrese de que la palanca de descarga de solución está cerrada antes de arrancar la máquina.

### 1) Cuando el motor esté frío, o después de repostar (arranque en frío):

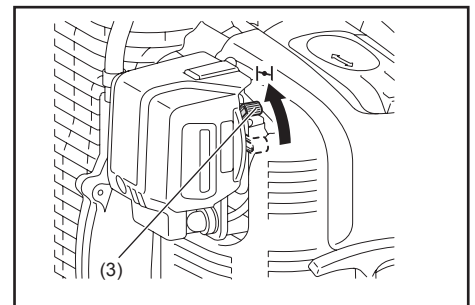
- (1) Ponga esta máquina sobre un espacio plano.
- (2) Ponga la palanca de control de parada (1) en la posición "I".



- (3) Presione el cebador (2) varias veces hasta que entre combustible en el cebador.
  - En general, el combustible entra en el carburador presionando de 7 a 10 veces.
  - Si presiona excesivamente el cebador, la gasolina en exceso vuelve al depósito de combustible.

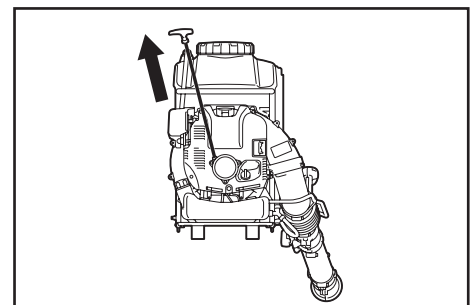


- (4) Levante la palanca de estrangulación (3).



- (5) Sujete la tapa del filtro de aire con la mano izquierda para evitar que el motor se mueva, y acomódese para hallar en una posición estable.

- (6) Tire del tirador de arranque despacio hasta sentir compresión. Después tire con fuerza. Podrá llevar de dos a cuatro intentos arrancar el motor.
  - No tire hasta el límite del cordón.
  - Retorne el tirador de arranque suavemente al alojamiento. De lo contrario el tirador de arranque suelto podrá golpearle el cuerpo o no rebobinarse debidamente.

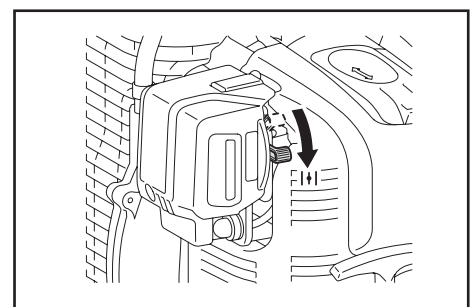


- (7) Cuando el motor arranque, baje gradualmente la palanca de estrangulación mientras comprueba el funcionamiento del motor. Asegúrese de bajar completamente la palanca de estrangulación al final.

- En frío o cuando el motor está frío, baje siempre despacio la palanca de estrangulación. De lo contrario, el motor podrá pararse.

- (8) Agarre el mango de control (la palanca de desbloqueo se suelta al agarrarlo) y apriete el gatillo acelerador para realizar la operación de calentamiento. Continúe la operación de calentamiento durante 2 a 3 minutos.

- (9) Cuando las revoluciones del motor se establezcan y el motor se acelere suavemente desde velocidad baja a alta con el movimiento del acelerador, el calentamiento habrá acabado.





**NOTA:**

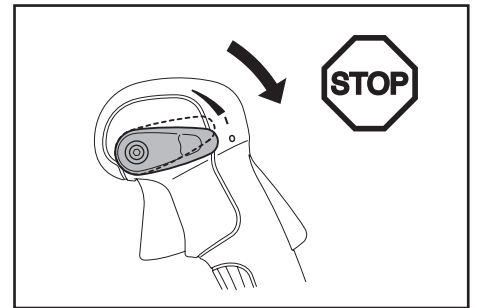
- El motor podrá dañarse si la palanca de estrangulación es movida más allá de la posición "CLOSE".
- Si el motor se para con el sonido de una explosión o si el motor arranca, pero se para antes de hacer la operación de la palanca de estrangulación, vuelva a ponerla en la posición "OPEN" y tire del tirador de arranque varias veces para arrancar el motor otra vez.
- Si el operario sigue tirando del tirador de arranque varias veces con la palanca de estrangulación en la posición "CLOSE", es posible que resulte difícil arrancar el motor debido a una excesiva succión de combustible.
- En el caso de una excesiva succión de combustible, retire la bujía y tire del tirador varias veces rápidamente para descargar cualquier exceso de combustible. Seque el electrodo de la bujía.
- Cuando la válvula del acelerador no vuelva a una posición en contacto con el tornillo de ajuste del ralentí aunque el gatillo acelerador está puesto en la posición de baja velocidad, corrija el enganche del cable de control para asegurarse de que la válvula vuelve debidamente.

**2) Cuando el motor está caliente (arranque en caliente)**

- (1) Ponga el motor sobre un suelo plano.
- (2) Presione el cebador varias veces.
- (3) Asegúrese de que la palanca de estrangulación está bajada.
- (4) Sujete la tapa del filtro de aire con la mano izquierda para evitar que el motor se mueva, y acomódese para hallar en una posición estable.
- (5) Tire del tirador de arranque despacio hasta sentir compresión. Después tire con fuerza.
- (6) Cuando resulte difícil arrancar el motor, abra la válvula del acelerador 1/3.

**2. Parada**

- 1) Libere el gatillo acelerador para reducir la velocidad del motor, y ponga la palanca de control de parada en la posición "O".



**AJUSTE DEL RALENTÍ**

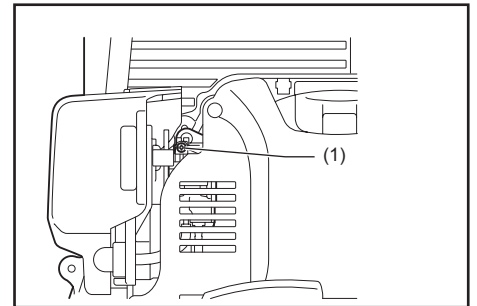
**⚠ PELIGRO:**

- El ajuste del carburador se completa en el momento de su envío desde la fábrica. Le rogamos que no haga ningún otro ajuste que el de ralentí. Cuando sea necesario hacer ajustes, consulte con su centro de servicio autorizado.

**Comprobación del ralentí**

Ajuste las revoluciones del ralentí a 2.800 min<sup>-1</sup>.

- Si es necesario cambiar la velocidad de las revoluciones, regule el tornillo del ajuste (1), con un destornillador Phillips.
- Gire el tornillo de ajuste hacia la derecha, y aumentarán las revoluciones del motor. Gire el tornillo de ajuste hacia la izquierda, y disminuirán las revoluciones del motor.



## MÉTODO DE OPERACIÓN

### Instalación del colador

El pulverizador está provisto de coladores en la abertura del depósito de solución y en el cabezal de admisión del tubo.

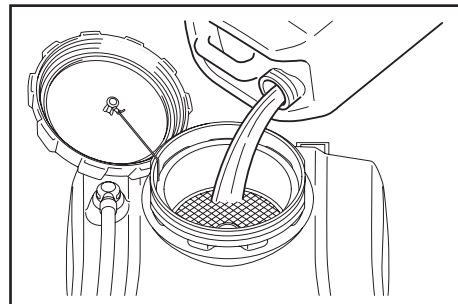
Asegúrese siempre de que el colador está instalado en su sitio.

Para instalar el colador, presiónelo al interior en su sitio.

Para retirar el colador, haga palanca para sacarlo.

#### ⚠ ADVERTENCIA:

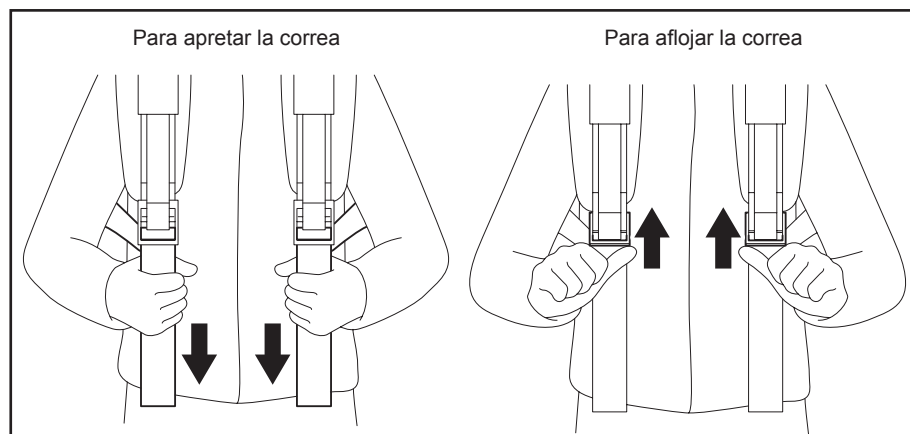
- Apriete el tapón del depósito firmemente. Si no aprieta el tapón del depósito podrá ocasionar fugas de solución, reducción de la presión y similares.



### Ajuste de la correa de los hombros

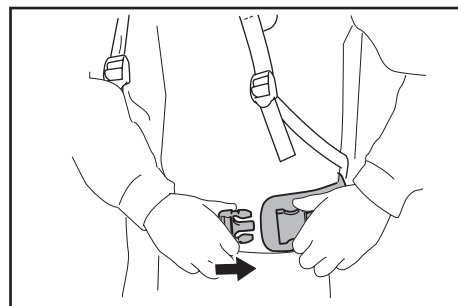
Ajuste la correa de los hombros a una longitud que sea cómoda para trabajar mientras transporta el pulverizador.

Ajuste como se muestra en la figura.



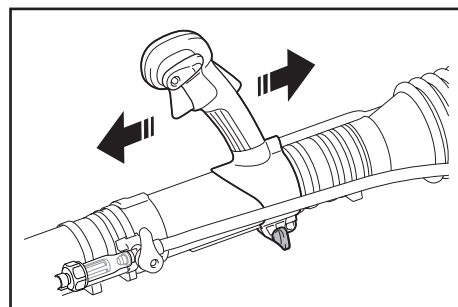
### Cinturón de cadera (accesorio opcional)

El cinturón de cadera (accesorio opcional) permite al operario transportar el aparato más establemente.



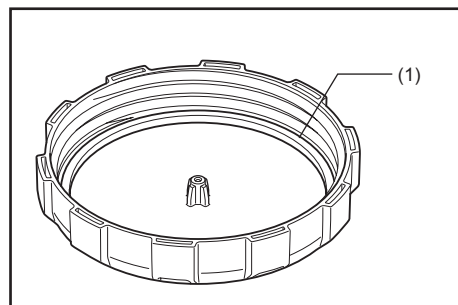
### Ajuste del mango de control

Mueva el mango de control a lo largo del tubo de rótula a la posición más cómoda.

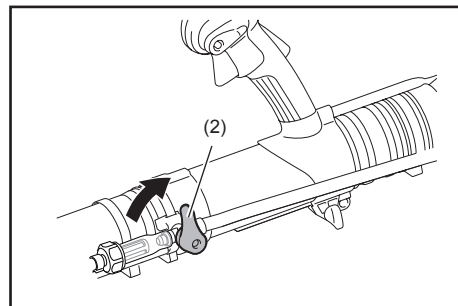


### Llenado del depósito de solución

1. Mantenga la junta (1) en buenas condiciones y lubricada con grasa y limpia.
2. Ponga el pulverizador sobre una superficie plana.



3. Antes de llenar el depósito de solución, asegúrese de cerrar la palanca de descarga de solución (2).

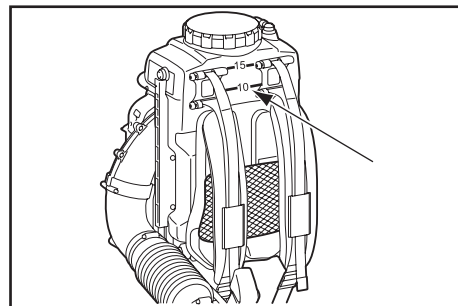


4. El depósito de solución tiene capacidad para 15 litros de solución.

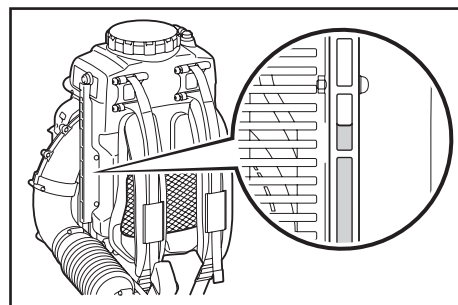
Cuando el depósito está lleno, el peso total incluyendo la solución es de casi 30 kg. Ajuste el volumen del transvase de solución de forma que el pulverizador con solución en el depósito no llegue a pesar en exceso y pueda ser manejado con la fuerza del operario.

Cuando se hayan transvasado 10 litros de solución (es decir, cuando el nivel de la solución transvasada apunte a la marca de 10 litros del costado del depósito), el peso total del producto será de casi 25 kg.

Se recomienda que el peso total de la máquina no exceda 30 kg para hombres, y 25 kg para mujeres.

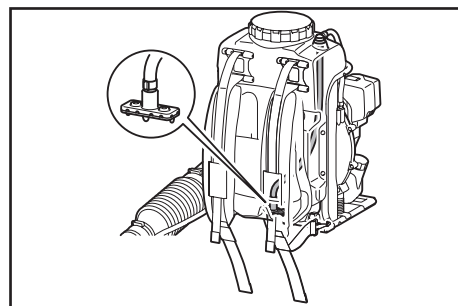


Utilice el nivel de solución en el tubo del costado del pulverizador como guía para comprobar el nivel de solución en el depósito de solución.



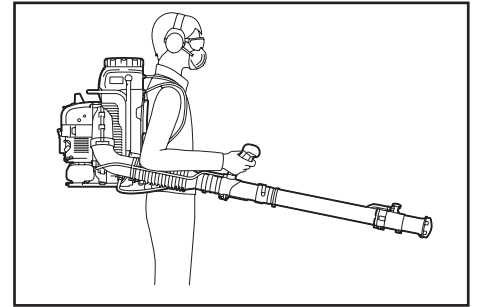
### **Función de mezclado de solución**

El dispositivo de mezclado de solución dentro del depósito de solución permite mezclar la solución con burbujas de aire que salen de él durante la operación de rociado.



## Operación del pulverizador

Para aumentar la velocidad del motor, agarre el mango de control (la palanca de desbloqueo se suelta al agarrarlo) y apriete el gatillo acelerador. La velocidad del motor se controla con la presión en el gatillo acelerador.



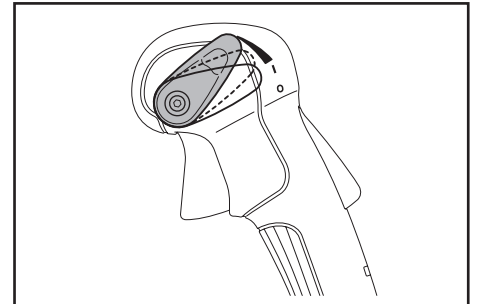
La posición de la palanca de control de parada puede restringir el ángulo del gatillo acelerador.

Hay cuatro posiciones para la palanca de control de parada. "O" (parada del motor), "I", y dos posiciones de restricción del ángulo del gatillo acelerador.

La posición "I" no restringe la velocidad del motor (puede apretar el gatillo acelerador completamente).

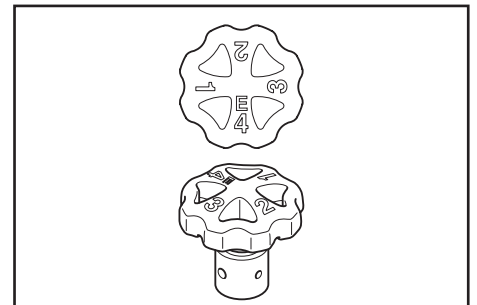
El ángulo del gatillo acelerador se restringe desde una posición por encima de la posición "I". El gatillo acelerador se restringe más cuando usted mueve la palanca de control de parada una posición por encima de la posición "I".

Ajuste la velocidad del motor de forma apropiada para el lugar y las condiciones de trabajo durante la operación.



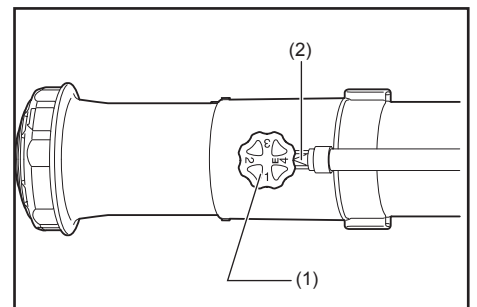
## Pomo de ajuste del líquido

Los pomos de ajuste del líquido permiten una amplia gama de diferentes caudales de descarga.



### Ajuste del caudal de descarga

Gire el pomo de ajuste del líquido (1) de la boquilla secundaria para obtener el caudal de descarga deseado de manera que el número en el pomo de ajuste del líquido esté alineado con la marca de triángulo (2).



### Caudal de descarga

Rocíe sujetando el tubo recto con el ángulo de entre 0 grados y grados negativos respecto a la horizontal.

Posición del pomo	Caudal de descarga (L/min) (valor medio)
1	0,36
2	1,0
3	1,6
4	2,5

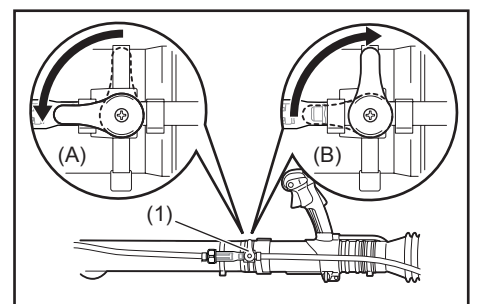
### NOTA:

- Utilice las cifras mostradas en la tabla de arriba como guía para la operación y las mismas pueden ser cambiadas de acuerdo con la densidad de la solución química utilizada en el depósito de solución.

## Palanca de descarga de solución

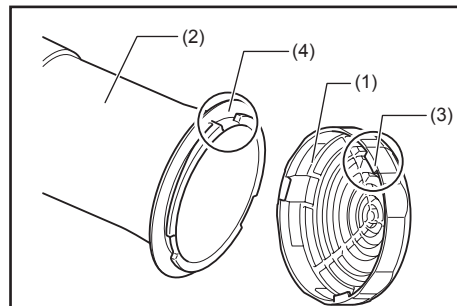
Para comenzar la inyección de solución (A), gire la palanca de descarga de solución (1) horizontalmente al tubo.

Para detener la inyección de solución (B), gire la palanca de descarga de solución verticalmente al tubo.

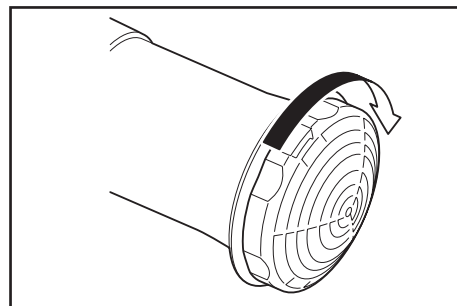


## Instalación y desmontaje de la tapa de dispersión

Para instalar la tapa de dispersión (1), monte la tapa de dispersión en la boquilla principal (2) de forma que su saliente (3) esté alineado con la ranura (4) en la boquilla principal.



Sujete la tapa de dispersión girándola hacia la derecha completamente.



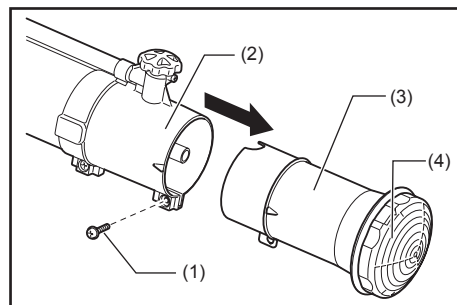
Para desmontar la tapa de dispersión, siga el procedimiento de instalación a la inversa.

## Cambio de la boquilla por una boquilla de descarga de solución de poco caudal (accesorio opcional)

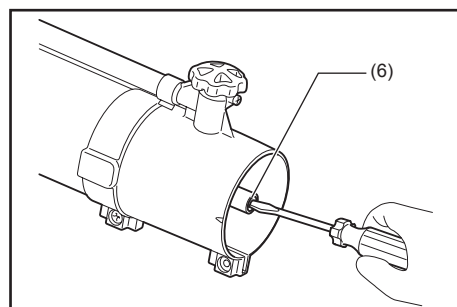
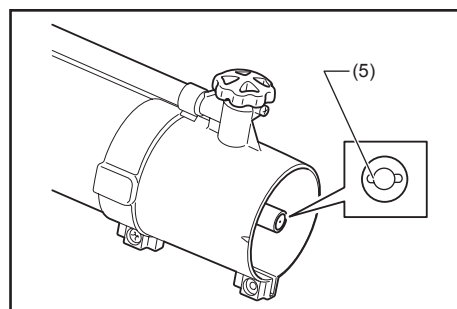
Cuando se necesite rociar una pequeña cantidad de solución, reemplace la tapa de la boquilla con otro tipo de tapa de boquilla suministrada con un orificio de descarga pequeño.

Para reemplazar la boquilla, siga el procedimiento de abajo.

1. Retire el tornillo (1) de la boquilla secundaria (2) y después retire la boquilla principal (3) y la tapa de dispersión (4).



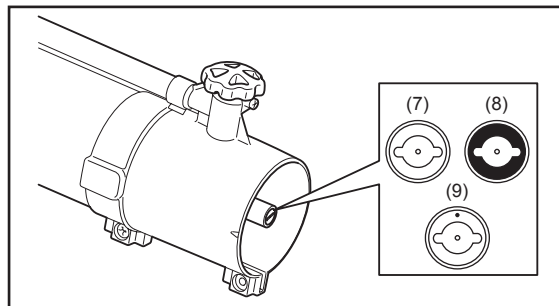
2. Encaje un destornillador de punta plana en la hendidura (5) de la parte superior de la boquilla y retire la tapa de la boquilla (6) girándola hacia la izquierda completamente.



3. Monte otra boquilla suministrada con un orificio de descarga pequeño.

**NOTA:**

- Elija una boquilla correcta de entre las dos siguientes de acuerdo con el tipo (viscosidad) de producto químico que quiere utilizar.



Tipo de boquilla	Viscosidad del producto químico	Ejemplo de producto químico	Caudal de descarga (L/min)*1
Boquilla de aluminio (color plata) (7) *2	Alto	MALATHION (Mezcle el aceite.)	0,14
Boquilla de latón (color oro) (8) *2	Bajo	Aqua K-Othrine (Mezcle el agua.)	0,075
Boquilla de latón con marca de punzón (color oro) (9) *2	Bajo	Cipermetrinato (Mezcle el agua.)	0,060

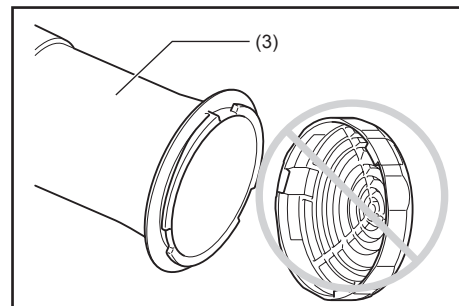
**Nota 1:** El caudal de descarga mostrado en la tabla es el de en caso de agua solamente, utilizado como guía. Esto varía con los productos químicos que están siendo utilizados.

**Nota 2:** El tipo de boquilla(s) provista(s) con el pulverizador cambia de un país a otro.

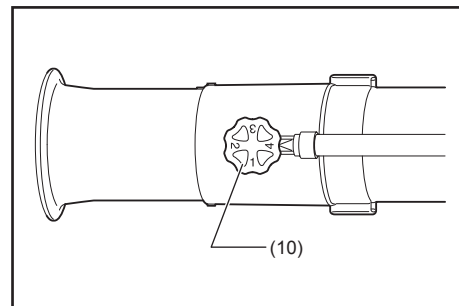
4. Monte la boquilla principal (3) y sujétela con el tornillo (1).

**NOTA:**

- Cuando utilice una boquilla de descarga de solución de poco caudal de arriba, no monte la tapa de dispersión (4) y guárdela de forma que no se pierda.



5. Ponga el pomo (10) en la posición 4.



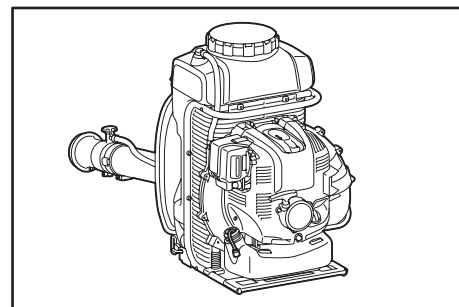
**TRANSPORTE DEL PULVERIZADOR**

Mantenga el pulverizador en posición vertical siempre que lo transporte o lo almacene.

Si lo transporta o almacena en una posición que no sea vertical podrá ocasionar que el aceite se derrame dentro del motor del pulverizador. Esto podrá resultar en fugas de aceite y humo blanco de aceite quemado, y el filtro de aire podrá ensuciarse con aceite.

**⚠ PELIGRO:**

- Cuando vaya a transportar o almacenar el pulverizador, asegúrese de parar el motor.



## Drenaje y limpieza del depósito de solución

### ⚠ ADVERTENCIA:

- Póngase siempre guantes de goma resistentes a los productos químicos cuando limpie y drene el depósito de solución.

### Drenaje del depósito de solución

#### ⚠ ADVERTENCIA:

- No deseche nunca productos químicos o agua de aclarado abriendo el tapón de la parte inferior del depósito de solución.
- Antes y después del drenaje, asegúrese de que la palanca de descarga de solución está cerrada.
- Si todavía queda solución química en el depósito de solución después de realizar el método mencionado en el manual de instrucciones, incline la máquina hacia el lado del tubo para que salga toda la solución restante.

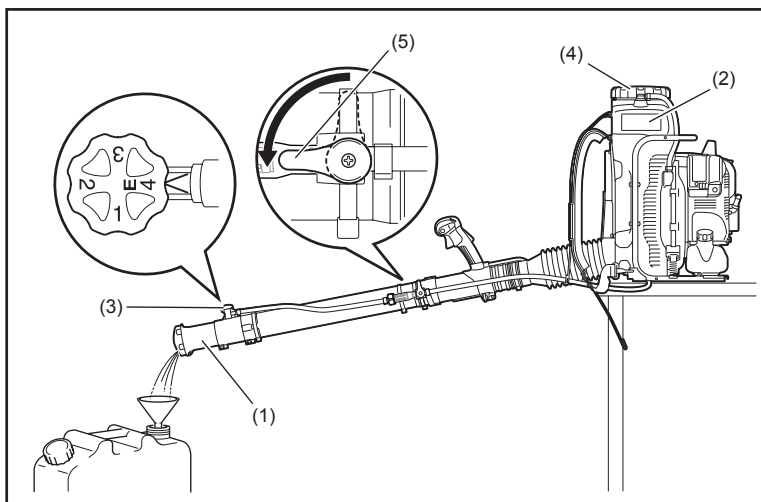
1. Ponga el pulverizador sobre un lugar estable. Posicione la boquilla (1) más abajo que la parte inferior del depósito de solución (2), y ponga un recipiente de recogida debajo de ella.

2. Ponga el pomo (3) en la posición E.

3. Abra el tapón del depósito de solución (4) ligeramente para liberar la presión del depósito.

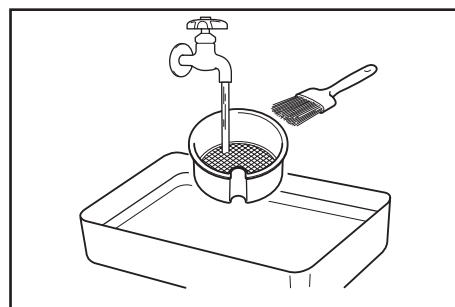
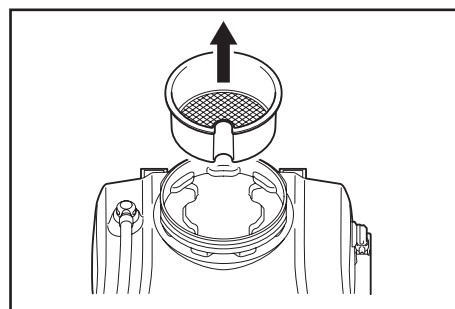
4. Abra la palanca de descarga de solución (5). La solución química se descarga por la boquilla.

5. Limpie el interior del depósito con agua.



### Limpieza del colador del depósito de solución

Retire el tapón del depósito, saque el colador del interior del depósito y luego límpielo después de usarlo.

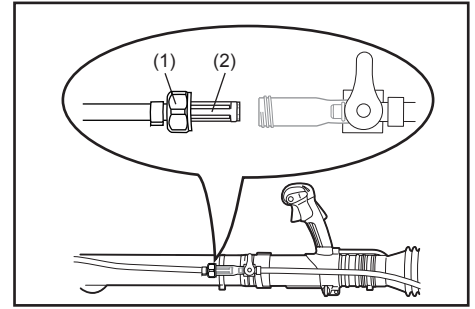


## Limpieza del tubo de empalme

### ⚠ ADVERTENCIA:

- No retire la abrazadera para manguera, el tubo ni la tapa cuando la palanca de descarga de solución esté abierta.
- No afloje la tapa cuando la palanca de descarga de solución esté abierta.

1. Afloje y retire la tapa (1) que sale con el colador (2).
2. Quite el polvo y las partículas del colador.
3. Vuelva a poner el colador en la posición original. Asegúrese de apretar la tapa firmemente.



## INSPECCIÓN Y MANTENIMIENTO

### ⚠ PELIGRO:

- Antes de efectuar la inspección y el mantenimiento, pare el motor y deje que se enfríe. Retire también la bujía y el capuchón de la bujía.
  - Si intenta realizar una inspección o mantenimiento inmediatamente después de parar el motor o con el capuchón de la bujía aún colocado, el operario podrá sufrir quemaduras o un accidente debido a un arranque imprevisto.
- Después de la inspección y el mantenimiento, asegúrese de que están montadas todas las partes. Después, proceda con la operación.
- Póngase siempre guantes de goma resistentes a los productos químicos para hacer la inspección y el mantenimiento.

### AVISO:

- No utilice nunca gasolina, bencina, disolvente, alcohol o similares. Podría resultar en decoloración, deformación o grietas.

## Reemplazo del aceite de motor

El aceite de motor deteriorado acortará la vida de servicio de las partes deslizantes y rotativas en gran medida. Asegúrese de comprobar el periodo y la cantidad de reemplazo.

### ⚠ PELIGRO:

- En general, la unidad principal del motor y el aceite de motor seguirán estando calientes justo después de haber parado el motor. Al reemplazar el aceite, asegúrese de que la unidad principal del motor y el aceite de motor se han enfriado suficientemente. De lo contrario, aún podrá haber riesgo de quemaduras. Además, justo después de haber parado el motor puede que no todo el aceite haya vuelto al cárter. No compruebe el nivel de aceite justo después de parar el motor.
- Si llena aceite por encima del límite, el aceite puede contaminarse o puede prender fuego con humo blanco.

**Intervalo de reemplazo:** Inicialmente, cada 20 horas de funcionamiento, y posteriormente cada 50 horas de funcionamiento

**Aceite recomendado:** Aceite SAE10W-30 de clasificación API clase SF o superior (aceite de motor de 4-tiempos para automóviles)

## Procedimiento para cambiar el aceite

1. Ponga el pulverizador sobre una superficie plana.
2. Ponga un recipiente para aceite de desecho debajo del orificio de drenaje (1) para recoger el aceite a medida que se drena.  
El recipiente deberá tener una capacidad de al menos 220 ml para poder recoger todo el aceite.
3. Afloje el perno de drenaje del aceite (2) para dejar que el aceite se drene. Tenga cuidado de no dejar que el aceite entre en el depósito de combustible u otras partes.

### ⚠ PRECAUCIÓN:

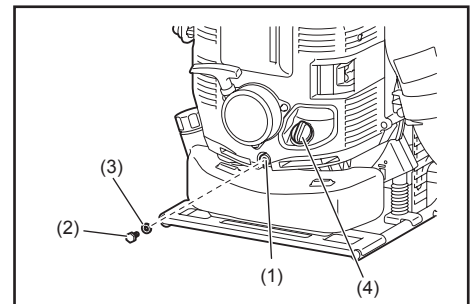
- Tenga cuidado de no perder la junta (arandela de aluminio) (3). Ponga el perno de drenaje del aceite (2) en un lugar donde no acumule suciedad.
4. Retire el tapón del aceite (4). (Retirando el tapón del aceite (4) se puede drenar el aceite fácilmente).

### ⚠ PRECAUCIÓN:

- Asegúrese de poner el tapón del aceite (4) en un lugar donde no acumule suciedad.
5. A medida que el nivel de aceite que está siendo drenado disminuya, incline el pulverizador hacia el lado de drenaje para que el aceite se drene completamente.
  6. Después de que el aceite se haya drenado completamente, apriete el perno de drenaje del aceite (2) firmemente. Si el perno no está apretado firmemente, podrá resultar en fugas de aceite.

### ⚠ PRECAUCIÓN:

- No se olvide de volver a poner la junta (arandela de aluminio) (3) cuando vuelva a colocar el tapón de drenaje.
7. La adición de aceite durante el procedimiento de cambio del aceite se realiza de la misma manera que en el procedimiento explicado por separado para añadir aceite siempre que el nivel sea insuficiente. Añada siempre aceite llenando por la abertura bajo el tapón del aceite. (Nivel de aceite especificado: Aproximadamente 220 ml)
  8. Después de llenar con aceite, apriete el tapón del aceite (4) firmemente para evitar fugas de aceite.





## Puntos relacionados con el reemplazo del aceite de motor

- No deseche nunca el aceite de motor reemplazado en la basura, en la tierra ni en una alcantarilla. El desecho del aceite está regulado por la ley. Al desechar el aceite, siga siempre las leyes y reglamentos pertinentes. En caso de cualquier duda, póngase en contacto con el agente de servicio autorizado.
- El aceite se deteriorará aunque se mantenga sin utilizar. Realice la inspección y el reemplazo a intervalos regulares (reemplace con aceite nuevo cada 6 meses).

## Limpieza del filtro de aire

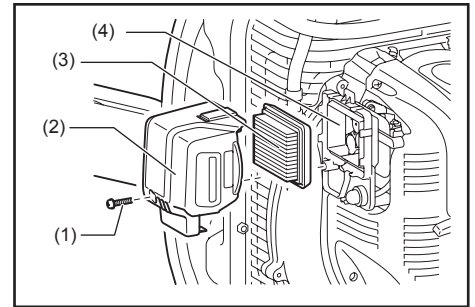
**⚠ ADVERTENCIA:** SUSTANCIAS INFLAMABLES E STRICTAMENTE PROHIBIDAS

Intervalo de limpieza e inspección: Diariamente (cada 10 horas de funcionamiento)

1. Afloje el perno de pomo (1).
2. Retire la tapa del filtro de aire (2).
3. Saque el elemento (3) y retire cualquier resto de suciedad con el cepillo.

### NOTA:

- El elemento es de tipo seco y no deberá dejar que se moje. No lo lave nunca con agua.
4. Reemplace el elemento con uno nuevo si está dañado o muy sucio.
  5. Limpie cualquier resto de aceite que entre en contacto con el respiradero con un trapo o un paño.
  6. Instale el elemento en la caja del filtro de aire (4).
  7. Coloque la tapa del filtro de aire y apriete el perno de pomo.



### ⚠ PELIGRO:

- Limpie el elemento varias veces al día, si se adhiere polvo excesivo en él.
- Si continúa la operación sin haber limpiado el aceite del elemento, el aceite en el filtro de aire podrá caer fuera, resultando en contaminación de aceite.

## Comprobación de la bujía

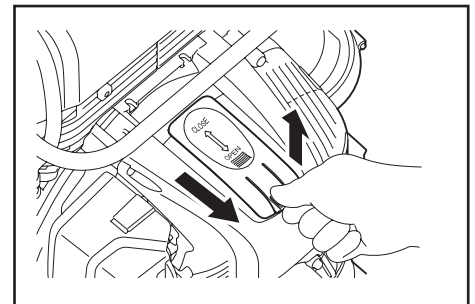
### ⚠ PRECAUCIÓN:

- Cuando vaya a retirar la bujía, limpie la bujía y la culata del cilindro primero, de forma que no entre suciedad, arena, etc., en el cilindro.
- Debe retirar la bujía después de que el motor se haya enfriado para evitar dañar el orificio roscado en el cilindro.
- La bujía debe ser instalada debidamente en el orificio roscado. Si es instalada en ángulo, el orificio roscado en el cilindro se dañará.

#### 1. Apertura/cierre de la tapa de la bujía

Para abrir la tapa de la bujía, tire hacia arriba de la comisura del saliente de la tapa de la bujía y deslice en la dirección de la indicación "OPEN" como se muestra en la figura de la derecha.

Cuando cierre la tapa, deslícela en la dirección "CLOSE" hasta que el enganche debajo del saliente de la tapa de la bujía quede por encima de la cubierta del motor. Finalmente, presione en el saliente.

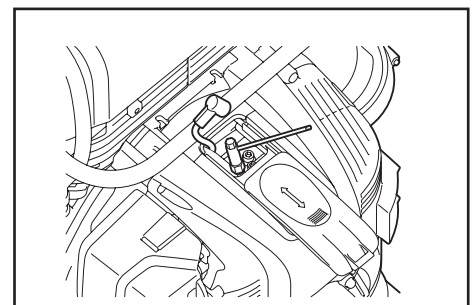


#### 2. Desmontaje de la bujía

Utilice la llave de tubo adjunta para retirar o instalar la bujía.

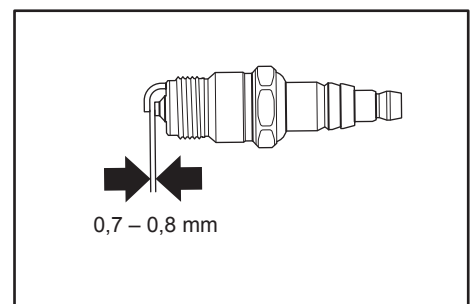
#### 3. Comprobación de la bujía

La separación entre dos electrodos de la bujía (consulte la figura) es de 0,7 a 0,8 mm. Ajuste a la separación correcta cuando sea muy ancha o muy estrecha. Limpie completamente o reemplace la bujía si ha acumulado carbón o está contaminada.



#### 4. Reemplazo de la bujía

Para el reemplazo, utilice NGK-CMR6A.

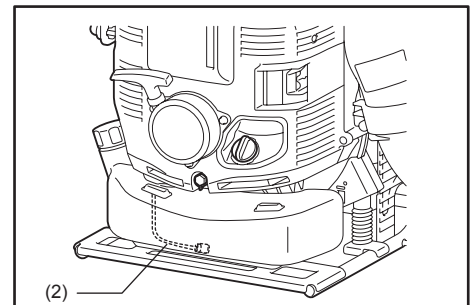
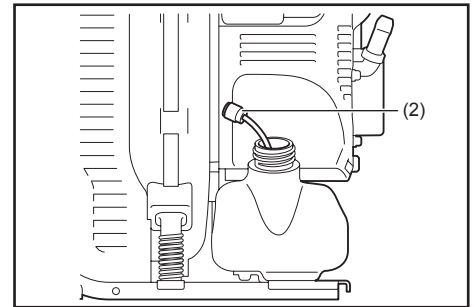
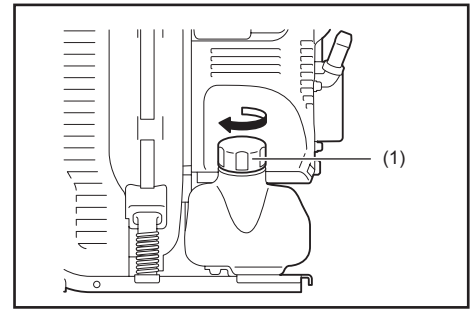


## Limpieza del filtro de combustible

- Un filtro de combustible obstruido puede ocasionar dificultad al arrancar o no poder aumentar la velocidad del motor.
  - Compruebe el filtro de combustible regularmente de la forma siguiente:
1. Retire el tapón del depósito de combustible (1), drene el combustible para vaciar el depósito. Compruebe el interior del depósito para ver si hay materias extrañas. Si las hay, limpie tales materias extrañas.
  2. Extraiga el filtro de combustible (2) con un alambre a través del orificio de llenado de combustible.
  3. Si la superficie del filtro de combustible esté contaminada, límpiela con gasolina. La gasolina contaminada deberá ser desechada de acuerdo con el método designado por cada municipio.  
Si el filtro está muy contaminado deberá reemplazarse.
  4. Vuelva a colocar el filtro de combustible en el depósito de combustible y apriete el tapón del depósito de combustible firmemente.

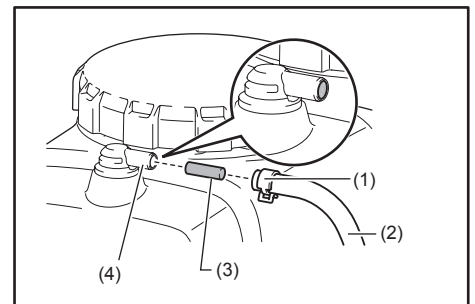
### NOTA:

- Cuando vuelva a colocar el filtro de combustible en el depósito, vuelva a ponerlo en la posición como se muestra en la figura.  
Para el reemplazo, póngase en contacto con el centro de servicio autorizado.



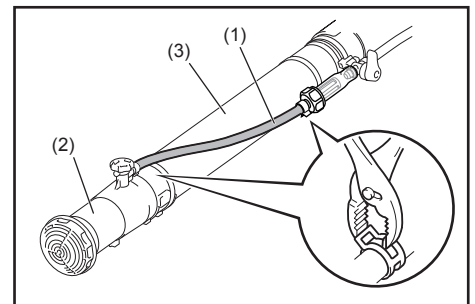
## Limpieza del elemento de limpieza del tubo de empalme

1. Retire la abrazadera para manguera (1) y la manguera (2).
2. Saque el elemento (3) y retire cualquier resto de suciedad del mismo con un cepillo.  
Si resulta difícil sacar el elemento, utilice una varilla fina para extraerlo.
3. Reemplace el elemento con uno nuevo si está dañado o muy sucio.
4. Presione el elemento al interior del tubo de empalme (4) hasta que la cola del elemento esté a ras con el extremo de la abertura.
5. Instale la manguera y sujétela con la abrazadera para manguera.



## Reemplazo de la manguera de solución

- Compruebe la manguera de solución (1) con frecuencia. Una manguera dañada puede resultar en fugas de solución química. Reemplace la manguera si es necesario de la forma siguiente.
1. Retire la boquilla (2) del tubo (3).
  2. Afloje la abrazadera para manguera, y después reemplace la manguera vieja con una nueva.



## Inspección de los pernos, tuercas y tornillos

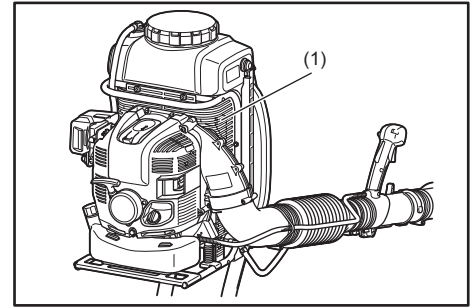
- Vuelva a apretar los tornillos, tuercas, etc., flojos.
- Compruebe si hay fugas de combustible o aceite.
- Reemplace las partes dañadas con unas nuevas para una operación segura.

## Reemplazo de las juntas y empaquetaduras

Al volver a montar el motor después de haberlo desmontado, asegúrese de reemplazar las juntas y empaquetaduras con unas nuevas.

## Limpieza de las partes

- Mantenga el motor siempre limpio.
- Mantenga las aletas del cilindro libres de polvo o suciedad. El polvo o la suciedad adherido a las aletas causará un agarrotamiento del motor.
- El aire soplado entra por la malla de admisión de aire (1). Cuando el flujo de aire disminuya durante la operación, pare el motor e inspeccione la malla de admisión de aire por si hay obstáculos que la estén bloqueando.
- Tenga en cuenta que si no retira esos obstáculos podrá resultar en un recalentamiento y daños al motor.



### ⚠ ADVERTENCIA:

- No utilice nunca el pulverizador sin la malla del pulverizador. Antes de cada utilización, compruebe que la malla está colocada en su sitio y está libre de cualquier daño.

Cualquier mantenimiento de trabajo de ajuste que no esté incluido y descrito en este manual deberá ser realizado solamente por centros de servicio autorizados.

## ALMACENAMIENTO

### Drenaje del combustible

#### ⚠ ADVERTENCIA:

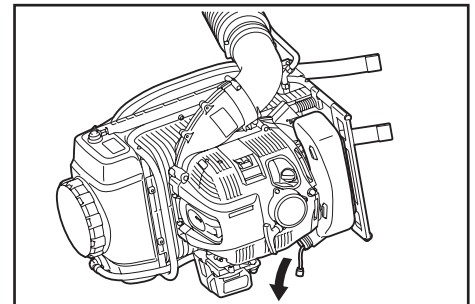
- Cuando vaya a drenar el combustible, asegúrese de parar el motor y confirme que el motor está frío.  
– Justo después de parar el motor, este podrá estar todavía caliente con posibilidad de ocasionar quemaduras, inflamación y un incendio.

#### ⚠ PRECAUCIÓN:

- Cuando la máquina vaya a ser dejada sin utilizar durante largo tiempo, drene todo el combustible del depósito de combustible y el carburador, y manténgala en un sitio seco y limpio.

Drene todo el combustible del depósito de combustible y el carburador de acuerdo con el procedimiento siguiente:

- 1) Retire el tapón del depósito de combustible, y drene el combustible completamente.  
Si queda cualquier materia extraña en el depósito de combustible, retírela completamente.
- 2) Extraiga el filtro de combustible del orificio de llenado utilizando un alambre.
- 3) Presione el cebador hasta que el combustible sea drenado de allí, y drene el combustible que llega al depósito de combustible.
- 4) Vuelva a colocar el filtro en el depósito de combustible, y apriete el tapón del depósito de combustible firmemente.
- 5) Después, continúe utilizando el motor hasta que se pare.
- 6) Retire la bujía, y deje caer varias gotas de aceite de motor a través del orificio de la bujía.
- 7) Tire del tirador de arranque con cuidado de manera que el aceite de motor se extienda por el motor, y coloque la bujía.
- 8) Durante el almacenaje, mantenga la máquina en posición vertical.
- 9) Mantenga el combustible drenado en un recipiente especial en un lugar bien ventilado y a la sombra.



### Drenaje del depósito de solución

#### ⚠ ADVERTENCIA:

- Cuando vaya a drenar el depósito de solución, asegúrese de parar el motor y confirme que el motor está frío.  
– Justo después de parar el motor, este podrá estar todavía caliente con posibilidad de ocasionar quemaduras, inflamación y un incendio.

Antes de almacenar el pulverizador, drene el depósito de solución consultando la sección titulada "Drenaje y limpieza del depósito de solución".

### Limpieza del colador de la parte superior del depósito de solución

Cuando vaya a almacenar el pulverizador, limpie siempre el colador de la parte superior del depósito de solución. Para limpiar el colador, consulte la sección titulada "Drenaje y limpieza del depósito de solución".

### Limpieza del colador en el tubo de empalme

Cuando vaya a almacenar el pulverizador, limpie siempre el colador en el tubo de empalme. Para limpiar el colador, consulte la sección titulada "Drenaje y limpieza del depósito de solución".

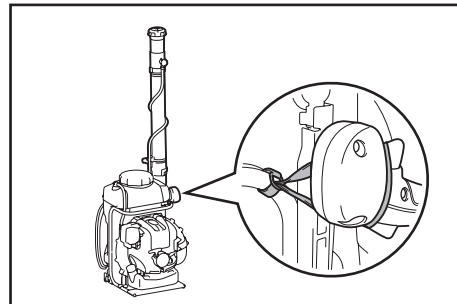
#### ⚠ PRECAUCIÓN:

- Cuando vaya a almacenar el pulverizador, asegúrese de parar el motor.

## Sujeción del tubo recto con una correa de mano suministrada

Cuando vaya a almacenar el pulverizador, sujete el tubo recto con una correa de mano suministrada atada al bastidor.

Sujetando el tubo recto en esta posición resultará fácil transportar la unidad.



## Intervalo de mantenimiento

Elemento	Tiempo de operación								Página correspondiente
		Antes de la operación	Después de la lubricación	Diariamente (10 horas)	30 horas	50 horas	200 horas	Parada/descanso	
Aceite de motor	Inspección	○							142
	Reemplazo					○*1			152
Apretado de las partes (pernos, tuercas)	Inspección	○							154
Colador del depósito de solución	Inspección	○							151
	Limpieza			○					151
Colador del tubo de empalme	Inspección	○							152
	Limpieza			○					152
Depósito de combustible	Limpieza/inspección	○							—
	Drenaje del combustible							○*3	155
Gatillo acelerador	Comprobación del funcionamiento		○						—
Palanca de control de parada	Comprobación del funcionamiento		○						145
Ralentí	Inspección/ajuste			○					145
Filtro de aire	Limpieza			○					153
Bujía	Inspección			○					153
Conducto del aire de enfriamiento	Limpieza/inspección			○					155
Tubo de combustible	Inspección			○					154
	Reemplazo						◎*2		—
Filtro de combustible	Limpieza/reemplazo					○			154
Separación entre la válvula de admisión de aire y la válvula de descarga de aire	Ajuste						◎*2		—
Tubo de aceite	Inspección						◎*2		—
Reacondicionamiento del motor							◎*2		—
Carburador	Drenaje del combustible							○*3	155

\*1 Realice el reemplazo inicial después de 20 horas de operación.

\*2 Para la inspección tras 200 horas de funcionamiento, solicítela al agente de servicio autorizado o a un taller de máquinas.

\*3 Después de vaciar el depósito de combustible, ponga en marcha el motor y drene el combustible del carburador.

## SOLUCIÓN DE PROBLEMAS

Antes de solicitar reparaciones, compruebe el problema usted mismo. Si encuentra alguna anomalía, controle su máquina de acuerdo con la descripción de este manual. No manipule ni desmonte nunca ninguna pieza de forma contraria a la descripción. Para reparaciones, póngase en contacto con el agente de servicio autorizado o con el distribuidor local.

Estado de la anomalía	Causa probable (mal funcionamiento)	Remedio
El motor no arranca.	El interruptor I-O está puesto en la posición STOP (PARADA).	Ponga el interruptor I-O en la posición START (ARRANQUE).
	No se ha operado el cebador.	Presione 7 a 10 veces.
	Baja velocidad de tracción del cordón del arrancador.	Tire con fuerza.
	Falta de combustible.	Suministre combustible.
	Posición incorrecta del estrangulador.	Póngalo en la posición "CLOSE" (arranque en frío). Póngalo en la posición "OPEN" (arranque en caliente).
	Filtro de combustible obstruido.	Limpie.
	Tubo de combustible doblado o bloqueado.	Enderece o reemplace el tubo de combustible.
	Combustible deteriorado.	El combustible deteriorado dificulta el arranque. Reemplace con uno nuevo. (Reemplazo recomendado: 1 mes)
	Excesiva succión de combustible.	Ponga el gatillo acelerador a una velocidad entre media y alta, y tire del tirador de arranque hasta arrancar el motor. Si el motor no arranca todavía, retire la bujía, seque el electrodo, y vuelva a montarla como estaba originalmente. Después, arranque de la forma especificada.
	Capuchón de la bujía quitado.	Colóquelo firmemente.
	Bujía contaminada.	Limpie.
	Separación anormal entre los electrodos de la bujía.	Ajuste la separación.
	Anormalidad de la bujía.	Reemplace.
	Carburador anormal.	Solicite inspección y mantenimiento.
	No se puede tirar del tirador de arranque, o no se siente compresión.	Solicite inspección y mantenimiento.
Sistema de transmisión/sistema eléctrico anormal. (Fallo del interruptor I-O, fallo del cableado, fallo del conector, etc.).	Solicite inspección y mantenimiento.	
El motor se para enseguida. La velocidad del motor no aumenta.	Calentamiento insuficiente.	Realice la operación de calentamiento.
	La palanca de estrangulación está puesta en "CLOSE" aunque el motor está caliente.	Póngala en "OPEN".
	Ralentí bajo.	Ajuste el ralentí.
	Filtro de combustible obstruido.	Limpie.
	Filtro de aire contaminado u obstruido.	Limpie.
	Carburador anormal.	Solicite inspección y mantenimiento.
	Fallo del silenciador de escape (obstruido, etc.).	Solicite inspección y mantenimiento.
	Sistema de transmisión/eléctrico anormal.	Solicite inspección y mantenimiento.
	Cable del acelerador suelto.	Sujételo firmemente.
El motor no se para. ↓ Haga funcionar el motor al ralentí y ponga la palanca de estrangulación en "CLOSE".	Conector suelto.	Sujételo firmemente.
	Sistema eléctrico anormal.	Solicite inspección y mantenimiento.

Cuando el motor no arranque después de la operación de calentamiento:

Si no se encuentra anomalía en los elementos comprobados, abra el acelerador 1/3 aproximadamente y arranque el motor.

Agradecemos a sua escolha do Atomizador DOLMAR. Temos o prazer de lhe poder proporcionar a utilização do Atomizador DOLMAR, que é o resultado de um longo programa de desenvolvimento e de muitos anos de conhecimentos e experiências.

O nebulizador combina as vantagens da tecnologia de ponta com um desenho ergonómico. São práticos, compactos e representam um equipamento profissional para uma grande variedade de aplicações.

**Leia, compreenda e siga as instruções desta brochura, que se referem em detalhe aos vários pontos que irão demonstrar o seu desempenho excepcional. Esta vai ajudá-lo a obter os melhores resultados possíveis do seu nebulizador DOLMAR com a máxima segurança.**



**Índice**

	<b>Página</b>
Símbolos.....	158
Importantes instruções de segurança .....	159
Dados técnicos.....	165
Designação de peças.....	166
Instruções de montagem.....	167
Antes de pôr o motor a trabalhar.....	168
Arrancar e parar o motor .....	170
Regular a velocidade do ralenti.....	171
Método de funcionamento.....	172
Inspeção e manutenção.....	178
Armazenamento .....	181
Resolução de problemas.....	183

**SÍMBOLOS**

É muito importante compreender os seguintes símbolos durante a leitura deste manual de instruções.

	AVISO/PERIGO		Usar proteção respiratória
	Ler, compreender e seguir o manual de instruções		Superfícies quentes – queimaduras nos dedos ou mãos
	Proibido		Combustível (gasolina)
	Proibido fumar		Arranque manual do motor
	Sem chamas abertas		Paragem de emergência
	Usar botas resistentes com solas não derrapantes.		Primeiros socorros
	Usar vestuário de proteção adequado		LIGADO/ARRANQUE
	Deve utilizar luvas de proteção		DESLIGAR/STOP
	Manter afastadas as pessoas presentes enquanto pulverizar		Perigo de cortar dedos ou a mão, lâmina do impulsor
	Manter a área de funcionamento livre de pessoas e animais		O cabelo comprido pode provocar acidentes por ficar enredado
	Utilizar proteção ocular e auditiva		Fumos venenosos ou gases tóxicos. Não utilizar numa área não ventilada.

## IMPORTANTES INSTRUÇÕES DE SEGURANÇA

### ⚠ AVISO:

- Leia todos os avisos de segurança e todas as instruções. O não cumprimento de todos os avisos e instruções pode originar choque elétrico, incêndio e/ou ferimentos graves.

### Guarde todos os avisos e instruções para futuras referências.

#### Instruções gerais

- Para garantir o funcionamento correto e seguro, o utilizador tem de ler, compreender e seguir este manual de instruções para garantir a familiaridade com o manuseamento do nebulizador (1). Os utilizadores que não receberam informações suficientes podem colocar outras pessoas e a si próprio em risco devido a manuseamento incorreto.
- Recomenda-se emprestar o nebulizador apenas a pessoas que provaram ter experiência com nebulizadores.
- Empréstimo sempre este manual de instruções ao mesmo tempo.
- Os utilizadores que utilizem o nebulizador pela primeira vez devem pedir instruções básicas no concessionário para se familiarizarem com o manuseamento de um nebulizador.
- As crianças e jovens com menos de 18 anos não devem operar o nebulizador. No entanto, as pessoas com mais de 16 anos podem utilizar a ferramenta apenas para receberem formação, sempre sob supervisão direta de um formador qualificado.
- A utilização de nebulizadores requer o máximo cuidado e atenção.
- Opere o nebulizador apenas se estiver em boas condições físicas.
- Realize todos os trabalhos com consciência e cuidado. O utilizador tem de aceitar a responsabilidade pelos outros.
- Nunca utilize o nebulizador sob a influência do álcool ou drogas (2).
- Não utilize a unidade se estiver cansado.
- Guarde estas instruções para consulta futura.

#### Utilização pretendida da máquina

- Utilize a máquina adequada. O nebulizador destina-se exclusivamente a pulverizar químicos líquidos e outros líquidos para o controlo de pragas e ervas daninhas em produções de frutos, flores e vegetais, em árvores e arbustos e outras plantas como café, tabaco e algodão. Também é útil para a manutenção de árvores jovens, por ex., para o controlo do escolitídeo e de outras pragas e doenças das plantas. Nunca utilize para qualquer outro fim.
- Utilize apenas produtos para proteção de plantas que sejam especificamente aprovados pelo fabricante para serem utilizados em nebulizadores e que cumpram todos os regulamentos, normas e ordenações aplicáveis.

Peça informação ao seu revendedor sobre como operar o seu nebulizador. Cumpra todos os regulamentos, normas e ordenações de segurança aplicáveis.

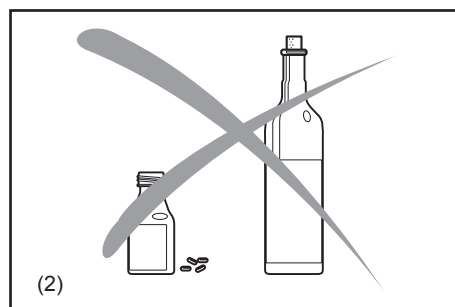
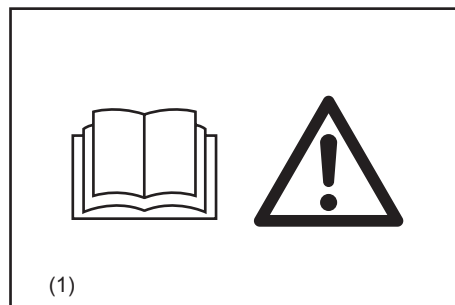
Todas as pessoas responsáveis pela operação e manutenção devem receber formação e estar familiarizadas com os procedimentos adequados para o manuseamento dos produtos químicos utilizados bem como com a prestação de primeiros socorros/cuidados de emergência e os regulamentos sobre eliminação de produtos químicos líquidos.

### ⚠ AVISO:

- O nebulizador destina-se exclusivamente a utilização profissional. Não empreste nem alugue o nebulizador sem o manual de instruções. Certifique-se de quem quer que o utilize compreende as informações incluídas neste manual.

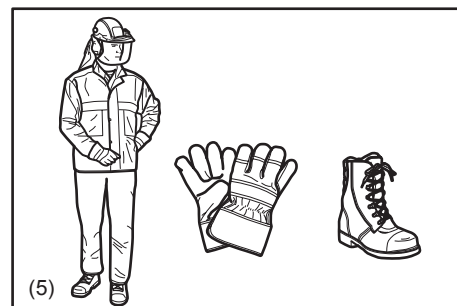
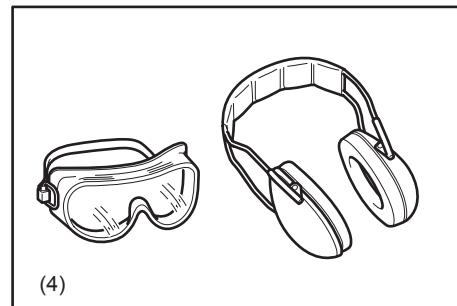
#### Equipamento de proteção pessoal

- Para reduzir o risco de lesões ao utilizar produtos químicos, use equipamento de proteção adequado ao encher, utilizar e limpar o nebulizador. Cumpra sempre as instruções do fabricante do produto químico no que se refere a proteção adequada de olhos, pele e aparelho respiratório. Estas podem ser diferentes e exceder as seguintes precauções.
- Ao utilizar produtos químicos tóxicos, o operador e outras pessoas presentes podem ter que usar um respirador adequadamente equipado, aprovado para o produto químico a ser utilizado. Consulte o rótulo do produto químico. Respirar produtos químicos tóxicos pode causar lesões graves ou mesmo fatais.
- O vestuário usado deve ser funcional e apropriado, ou seja, deve ser justo mas não pode estorvar. Não utilize peças de joalharia, vestuário ou cabelos compridos que possam entrar na entrada de ar. (3)
- Para evitar lesões na cabeça, olhos, mãos ou pés, bem como para proteger a sua audição, os equipamentos e vestuário de proteção que se seguem devem ser usados durante o funcionamento do nebulizador.



## Tome especial atenção aos seguintes regulamentos

- O vestuário deve ser justo e ser bastante cómodo, permitindo uma total liberdade de movimentos. Evite casacos largos, calças folgadas ou de estilo largo, lenços ou cachecóis, cabelo comprido solto ou qualquer outra coisa que possa ser puxada para a entrada de ar.  
Use calças compridas para proteger as pernas.  
Não use calções. (5)
- O ruído do nebulizador pode causar danos na audição. Use barreiras de som (tampões ou abafadores de som para os ouvidos) para proteger a audição. Os utilizadores contínuos e regulares devem verificar a audição com regularidade. (4)
- Use sempre luvas de borracha/resistentes a químicos quando trabalhar com o nebulizador. Calçado adequado é o mais importante. Use botas de borracha/à prova de químicos. (5)
- Uma proteção ocular adequada é obrigatória. Apesar de a descarga ser feita diretamente para longe do operador, podem ocorrer ricochetes e ressaltos durante o funcionamento do nebulizador. (4)
- Nunca utilize um nebulizador a menos que esteja a usar óculos de proteção ou outros óculos devidamente ajustados com proteção superior e lateral adequada e que estejam em conformidade com a norma ANSI Z 87.1 (ou a norma nacional aplicável no seu país).



## MANUSEAMENTO DE PRODUTOS QUÍMICOS

- Alguns produtos químicos utilizados com o seu nebulizador podem conter substâncias tóxicas e/ou cáusticas. Tais produtos químicos podem ser perigosos e causar lesões graves ou mesmo fatais a pessoas e animais e/ou danos graves em plantas e no ambiente.  
Evite contacto direto com produtos químicos.  
Cumpra as instruções do fabricante do produto químico no que se refere a qualquer contacto com o produto.
- Leia sempre o rótulo do fabricante e o manual de instruções, antes de misturar ou utilizar o produto químico e antes de o guardar ou eliminar.  
Não confie só na sua memória.  
O uso descuidado ou incorreto pode causar lesões graves ou fatais.
- Leia atentamente os rótulos nos recipientes do produto químico antes de usar.  
Os produtos químicos são classificados em categorias de toxicidade.  
Cada categoria tem características próprias de utilização.  
Familiarize-se com as características da categoria do produto químico que está a utilizar.  
Os produtos químicos só devem ser usados por pessoas com formação no seu manuseamento e nas medidas de primeiros socorros adequadas.
- Os químicos podem ser nocivos para pessoas, animais e o ambiente se usados indevidamente. Adicionalmente, é aconselhável não utilizar determinados químicos que sejam cáusticos, corrosivos ou venenosos no seu nebulizador.
- Misture unicamente pesticidas compatíveis. Misturas erradas podem produzir fumos tóxicos.  
Ao manusear e pulverizar produtos químicos, certifique-se de que está a operá-lo em conformidade com as regras e diretivas ambientais locais, estatais e federais.  
Não pulverize se estiver ventoso. Para ajudar a proteger o ambiente, use apenas a dose recomendada – não use em demasia.  
Preste especial atenção quando utilizar a máquina perto de bacias hidrográficas, cursos de água, etc.
- Evite abrir a boca como para comer, beber ou fumar enquanto manuseia químicos ou enquanto pulveriza. Nunca sopre pela boca através de bocais, tubos, canos ou outro componente. Manuseie sempre os químicos numa área bem ventilada e usando vestuário de proteção e equipamento de segurança adequados.  
Não armazene nem transporte químicos juntamente com alimentos, bebidas ou medicamentos e nunca reutilize um recipiente de um produto químico para qualquer outro fim.  
Não transfira produtos químicos líquidos para outros recipientes, em especial para recipientes destinados a alimentos e/ou bebidas.
- No caso de contacto ou ingestão acidental de produtos químicos ou em caso de contaminação do vestuário, pare o trabalho e consulte imediatamente as instruções do fabricante do produto químico.  
Caso tenha dúvidas sobre o que deverá fazer, contacte imediatamente um centro de controlo de venenos ou um médico para o aconselhar.  
Tenha o rótulo do produto à mão para ler ou mostrar à pessoa que consultar.  
Limpe imediatamente qualquer derrame do produto químico.  
Elimine quaisquer resíduos cumprindo as leis ou regulamentações locais ou nacionais.
- Mantenha os produtos químicos longe do alcance de crianças, pessoas não autorizadas e animais.  
Quando não estiverem a ser utilizados, armazene os produtos químicos em local seguro e trancado. Siga as recomendações do fabricante quanto à forma correta de armazenamento.



## Preparar químicos

- Prepare soluções químicas de acordo com as instruções do fabricante do produto.
- Prepare apenas a quantidade suficiente de solução necessária para o trabalho a realizar para que não sobre solução.
- Os químicos devem ser sempre misturados seguindo as instruções – misturas erradas podem produzir fumos tóxicos ou misturas explosivas.
- Nunca pulverize químicos não diluídos.
- Prepare a solução e encha o recipiente no exterior, numa área bem ventilada.
- O operador deve indicar claramente o nome do produto químico atualmente a ser utilizado.

## Armazenamento

- Não armazene solução para pulverizar no recipiente durante mais de um dia.
- Armazene e transporte sempre a solução para pulverização unicamente em recipientes aprovados.
- Nunca armazene ou transporte a solução para pulverização em recipientes destinados a alimentos, bebidas ou ração para animais.
- Não armazene ou transporte a solução para pulverização em conjunto com alimentos, bebidas ou ração para animais.
- Mantenha a solução para pulverização longe do alcance de crianças, pessoas não autorizadas e animais.
- Armazene a solução para pulverização em local seguro, trancado contra qualquer possibilidade de utilização indevida.

## Eliminação

Nunca elimine químicos residuais ou soluções de lavagem contaminadas em cursos de água, sistemas de drenagem, esgotos, sarjetas, poços de inspecção ou semelhante.

Ao eliminar água ou produto de lavagem contaminado, cumpra todas as leis, regras e ordenações aplicáveis.

Cumpra rigorosamente as instruções de precaução do fabricante do produto químico.

## Encher o recipiente

- Aperte todas as ligações e certifique-se de que os canos bem como um tubo estão firmemente ligados e em bom estado. Mantenha fechada a alavanca de descarga da solução.
- Antes de utilizar o nebulizador com químicos, encha-o com água limpa para garantir que o montou corretamente e experimente pulverizar. Verifique também se há fugas. Quando estiver completamente familiarizado com o funcionamento do nebulizador, siga os procedimentos normais de operação.
- Encha o nebulizador em áreas bem ventiladas, no exterior.
- Não utilize:
  - produtos inflamáveis, pois podem provocar uma explosão da qual poderão resultar lesões graves ou fatais.
  - materiais cáusticos ou corrosivos, que podem causar danos na unidade.
  - líquidos a uma temperatura superior a 50°C para reduzir o risco de se esquentar e danificar a unidade.

Para encher o depósito de solução, poise o nebulizador sobre uma superfície plana, encha com solução apenas com luz e visibilidade adequadas. Para reduzir o risco de contaminação do ambiente circundante, tenha cuidado para não encher demais o depósito com a solução química.

Para reduzir o risco de lesões, não encha o nebulizador com ele às costas.

Se encher o depósito da solução com uma mangueira ligada a um ponto central de alimentação de água, certifique-se de que a extremidade da mangueira não está dentro da solução, para reduzir o risco de refluxo, isto é, para impedir que os químicos sejam aspirados para dentro da fonte de alimentação de água em caso de formação súbita de vácuo.

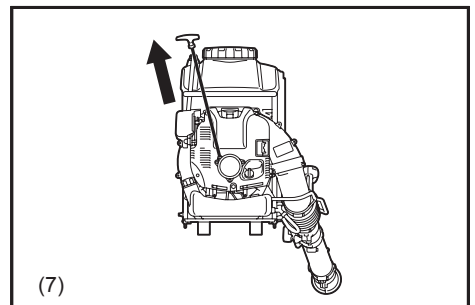
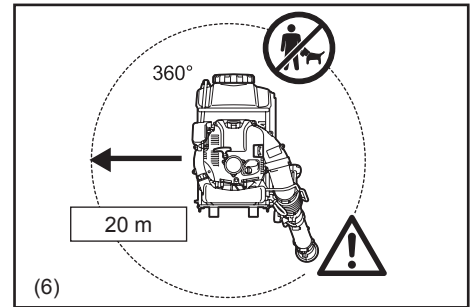
Calcule a quantidade correta de solução química para que seja usada na totalidade, sem deixar ficar restos no depósito.

Depois de encher, feche com a tampa do depósito da solução e aperte firmemente.

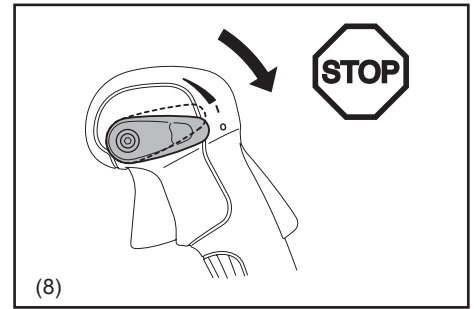
- Verifique se há fugas durante o enchimento e durante a utilização. Uma fuga do depósito da solução ou um encaixe mal apertado pode encharcar a sua roupa e entrar em contacto com a sua pele.

## Arrancar o nebulizador

- Certifique-se de que não há crianças nem outras pessoas dentro de um raio de 20 metros do local de trabalho (6). Tome igualmente atenção a quaisquer animais perto da área de trabalho.  
Nunca utilize o nebulizador em zonas urbanas.
- Antes de utilizar, verifique sempre se o nebulizador está seguro para funcionamento: Verifique a segurança do gatilho do acelerador. O gatilho do acelerador deve ser verificado quanto ao funcionamento suave e fácil. Verifique o funcionamento correto do bloqueio da alavanca do gatilho do acelerador. Verifique se os manípulos estão limpos e secos e teste o funcionamento do interruptor I-O. Mantenha os manípulos sem óleo e combustível.
- Para reduzir o risco de fuga e contacto de químicos com a pele, verifique se a tampa do recipiente e todas as ligações no percurso da pulverização estão bem apertadas e certifique-se de que a mangueira está bem fixa e em bom estado. Mantenha fechada a alavanca de descarga da solução.
- Certifique-se de que a alavanca de descarga da solução está fechada, antes de pôr a máquina em funcionamento.
- Verifique se a tampa da vela está bem montada na vela – uma tampa de vela solta pode causar um arco eléctrico que pode inflamar os vapores do combustível e provocar um incêndio.
- Verifique o estado das cintas do arnês e substitua cintas danificadas ou gastas.
- Ajuste a cinta do ombro ao seu tamanho antes de iniciar o trabalho.  
Em caso de emergência, pode soltar-se da cinta do ombro e atirar a máquina rapidamente para longe. Pratique soltar-se da cinta várias vezes antes de usar a máquina para se acostumar a fazê-lo. Não atire a máquina quando praticar porque isso poderia danificá-la.
- Quando puxar o manípulo de arranque, não enrole o cabo do arrancador à volta da mão. Não deixe o manípulo de arrancar saltar para trás mas guie o cabo de maneira que este enrole corretamente.  
O não cumprimento deste procedimento pode resultar em ferimentos nas suas mãos ou dedos e pode danificar o mecanismo de arranque.
- Pode ser necessária a ajuda de outra pessoa para pôr o nebulizador às suas costas depois do arranque. Para reduzir o risco de lesões no assistente, resultantes de objetos atirados, químico em névoa/líquido ou de contacto com fumos de escape quentes, mantenha o motor ao ralenti durante este breve período e não deixe o seu assistente ficar perto do bocal de saída ou do escape. Caso contrário, o nebulizador deve ser posto em funcionamento e utilizado sem ajuda.
- Arranque o nebulizador apenas de acordo com as instruções.
- Não utilize quaisquer outros métodos para arrancar o motor (7)!
- Utilize o nebulizador e os acessórios fornecidos apenas para as aplicações especificadas.
- Arranque o motor do nebulizador apenas depois de a ferramenta ser montada na sua totalidade. A operação da ferramenta só é permitida depois de todos os acessórios adequados estarem instalados.
- Deve desligar imediatamente o motor caso surjam quaisquer problemas de motor.
- Use o nebulizador para operação só com uma mão com a mão direita no manípulo de controlo. Transporte como se fosse uma mochila, com as cintas para os ombros por cima de ambos os ombros.  
Para reduzir o risco de perda de controlo, nunca transporte o nebulizador com a(s) cinta(s) sobre um ombro.
- Quando trabalhar com o nebulizador, agarre bem o manípulo enrolando os dedos com força à sua volta, mantendo o manípulo de controlo apertado entre o polegar e o indicador. Mantenha a mão nesta posição para manter sempre a máquina sob controlo. Certifique-se de que o manípulo de controlo está em boas condições e não apresenta humidade, sujidade, óleo ou massa lubrificante.
- Garanta sempre um posicionamento seguro e estável.
- Para manter o depósito da solução direito e reduzir o risco de derramamento, não se dobre pela cintura. Dobre-se apenas pelos joelhos e apoie-se como necessário para manter o equilíbrio.  
Lembre-se de que um nebulizador com líquido tem um peso significativo. Tenha mais cuidado ao dobrar-se, inclinar-se ou a andar.
- Utilize o nebulizador de forma a evitar a inalação dos gases de escape. Nunca ponha o motor em funcionamento em ambientes fechados (risco de sufocamento e envenenamento por gás). O monóxido de carbono é um gás inodoro. Assegure-se sempre de que há ventilação adequada.
- O seu nebulizador não é isolado contra choques eléctricos. Para reduzir o risco de eletrocussão, nunca opere o nebulizador nas proximidades de fios ou cabos eléctricos que possam transportar corrente eléctrica. Não pulverize sobre ou próximo de instalações eléctricas.

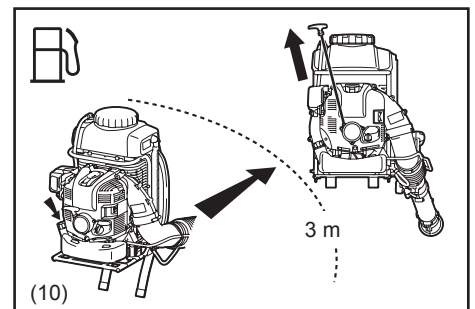
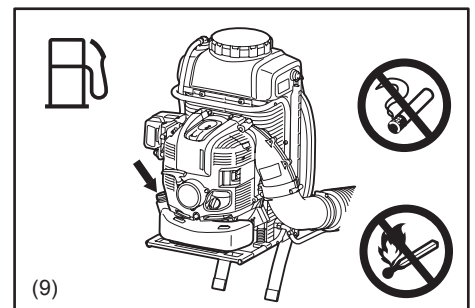


- Desligue o motor quando estiver a descansar ou quando deixa o nebulizador sem vigilância. Coloque-o num local seguro para evitar riscos às outras pessoas, provocar incêndios com os materiais combustíveis ou danos na máquina (8).
- Nunca deixe o nebulizador quente sobre ervas secas ou sobre qualquer material combustível.
- Não poise o nebulizador no chão quando este está a funcionar a alta velocidade porque pequenos objetos como areia, erva, pó, etc. podem ser aspirados para a entrada de ar e danificar a roda da ventoinha.
- Durante as pausas no trabalho, não deixe o nebulizador sob luz solar direta nem próximo de qualquer fonte de calor.
- Durante a operação deve utilizar todas as peças e equipamentos de proteção fornecidos com a máquina.
- Nunca ponha o motor em funcionamento se o silenciador de escape apresentar algum defeito.
- Não ponha a mão no ventilador de escape. O silenciador fica muito quente durante o funcionamento e pode causar queimaduras.
- Não toque na cobertura do motor durante muito tempo. Pode ficar quente durante o funcionamento e pode causar queimaduras.
- Desligue o motor durante o transporte (8).
- Guarde o nebulizador em segurança durante o transporte no carro ou carrinha a fim de evitar fugas de combustível.
- Quando transportar o nebulizador, assegure-se de que o depósito de combustível e o recipiente do líquido/químico está completamente vazio.



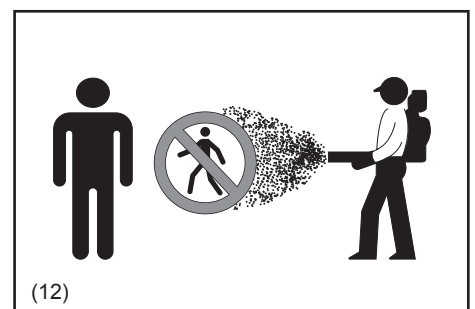
### Reabastecimento

- Desligue o motor (8) durante o reabastecimento de combustível, mantenha-se longe das chamas abertas (9) e não fume.
- Evite o contacto de produtos petrolíferos com a pele. Não inale o vapor do combustível. Use sempre luvas protetoras durante o reabastecimento. Troque e limpe o vestuário de proteção regularmente.
- Tenha cuidado para não derramar combustível ou óleo no solo para evitar contaminação (proteção ambiental). Limpe imediatamente o nebulizador se tiver derramado combustível. Deixe os panos secarem antes de os eliminar adequadamente, dentro de um recipiente tapado, para prevenir a combustão espontânea.
- Evite qualquer contacto do combustível com o vestuário. Troque imediatamente o vestuário se tiver derramado combustível sobre as mesmas (risco de incêndio).
- Inspeccione a tampa do depósito de combustível regularmente assegurando-se de que está firmemente fechada.
- Aperte cuidadosamente o parafuso de bloqueio do depósito de combustível. Mude de lugar para ligar o motor (pelo menos, 3 metros de distância do local de reabastecimento) (10).
- Nunca reabasteça em ambientes fechados. Os vapores de combustível acumulam ao nível do solo (risco de explosões).
- Apenas transporte e armazene o combustível em recipientes aprovados. Assegure-se de que as crianças não tenham acesso ao combustível armazenado.
- Não tente reabastecer com o motor quente ou em funcionamento.



### Método de funcionamento

- Utilize o nebulizador apenas com boas condições de luz e visibilidade. Durante as estações frias tenha cuidado com as áreas escorregadias ou molhadas, com o gelo e com a neve (risco de escorregar). Assegure-se sempre de um posicionamento seguro (11).
- Nunca trabalhe sobre superfícies instáveis ou terrenos inclinados (11).
- Se não estiver familiarizado com os riscos associados ao produto químico específico que está a usar, reveja o rótulo do produto e/ou a ficha de dados de segurança para a substância e/ou consulte o fabricante/fornecedor do material. Pode também pedir informações sobre materiais perigosos ao seu patrão, às agências governamentais e a outras fontes. Algumas outras autoridades publicaram listas de substâncias que se sabe serem causadoras de cancro, toxicidade reprodutiva, etc. (11).
- Para reduzir o risco de ferimentos pessoais, não direcione a injeção de ar para as pessoas presentes, uma vez que a alta pressão do fluxo de ar pode ferir os olhos e dispersar objetos pequenos a alta velocidade (12).
- Nunca pulverize na direção de pessoas, animais ou bens que possam ficar lesionados ou danificados pela pulverização (12).
- Nunca insira nenhum objeto estranho na entrada de ar da máquina ou no bocal do nebulizador. Isso pode danificar a roda do ventilador e provocar ferimentos graves ao operador ou às pessoas presentes, pois o objeto ou as peças partidas podem ser lançados a grande velocidade.
- Preste atenção à direção do vento, ou seja, não trabalhe contra o vento.
- Para reduzir o risco de tropeçar ou perder o controlo, não caminhe para trás enquanto está a utilizar a máquina.
- Desligue sempre o motor antes de o limpar ou antes da realização de qualquer tipo de manutenção ou quando substituir peças.
- Tire alguns momentos para descansar para evitar a perda de controlo provocada pela fadiga. Recomendamos que descanse entre 10 a 20 minutos após cada hora de trabalho.

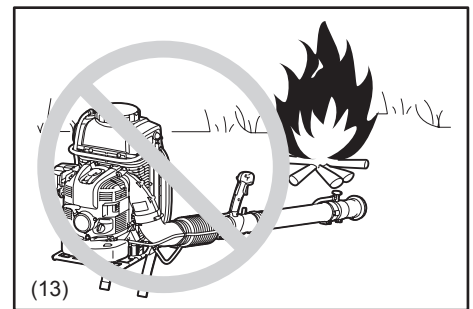


## Depois de terminar o trabalho

- Lave-se sempre muito bem com água e sabão depois de pulverizar ou manusear produtos químicos. Tome duche imediatamente e lave todo o vestuário de proteção separado de outras peças de roupa.  
Cumpra quaisquer outras recomendações adicionais do fabricante do produto químico.  
Limpe sempre a poeira e sujidade do nebulizador.
- Esvazie, enxague e limpe o depósito da solução e monte depois de cada utilização. Isto ajuda a impedir que a solução cristalize o que poderia, mais tarde, causar entupimento e danos provocados pelo químico na unidade. Adicionalmente, resíduos químicos podem ter efeitos indesejáveis durante a pulverização subsequente com um tipo de químico diferente (por ex., herbicida residual pode danificar ou matar plantas que estejam a ser pulverizadas com um pesticida).  
Não armazene o nebulizador com solução para pulverização no depósito.
- Mantenha crianças, pessoas não relacionadas com o trabalho e animais domésticos afastados das áreas que acabaram de ser pulverizadas.  
Após a utilização de alguns produtos químicos, em especial pesticidas agrícolas, é necessário colocar um aviso na área tratada, indicando que está em curso um "Intervalo de entrada restrita".  
Consulte o rótulo do produto químico e quaisquer regulamentações governamentais aplicáveis.

## Instruções de manutenção

- Efetue uma limpeza e manutenção antes de armazenar.
- Respeite o ambiente. Opere o nebulizador com o menor ruído e poluição possíveis. Em especial, verifique o ajuste correto do carburador.
- Limpe o nebulizador a intervalos regulares e verifique se todos os parafusos e porcas estão firmemente apertados.
- Nunca faça a manutenção nem armazene o nebulizador nas proximidades de lugares onde possam surgir chamas abertas, faíscas, etc. (13).
- Guarde sempre o nebulizador num recinto trancado, bem ventilado e com o depósito de combustível vazio e o depósito da solução vazios.



**Cumpra e siga todas as instruções referentes a prevenção de acidentes emitidas pelas associações comerciais relevantes e pelas companhias de seguros.**

**Não faça nenhuma modificação ao nebulizador, pois isso poderá pôr a sua segurança em risco.**

A realização dos trabalhos de manutenção ou de reparação pelo operador está limitada às atividades descritas neste manual de instruções. Os restantes trabalhos devem ser realizados pelos agentes de assistência técnica autorizados.

Utilize apenas peças sobressalentes e acessórios genuínos fornecidos pela DOLMAR.

A utilização de acessórios e máquinas não aprovados dá origem a um aumento do risco de acidentes e ferimentos. A DOLMAR não se responsabiliza por acidentes ou danos causados pela utilização de quaisquer materiais ou acessórios não aprovados.

## Primeiros socorros

Em caso de acidente, certifique-se de que tem disponível um kit de primeiros socorros o mais completo possível nas proximidades do local de trabalho. Substitua imediatamente qualquer item que tenha sido retirado do kit de primeiros socorros.

Ao pedir ajuda, forneça a seguinte informação:

- Local do acidente
- O que aconteceu?
- Número de pessoas feridas
- Extensão dos ferimentos
- O seu nome



## Embalagem

O nebulizador DOLMAR é fornecido numa caixa de cartão protetora para evitar danos durante o transporte. O cartão é uma matéria prima básica e por isso reutilizável ou adequado para reciclagem (reciclagem de papel).

## GUARDE ESTAS INSTRUÇÕES.

### ⚠ AVISO:

- NÃO permita que conforto ou familiaridade com o produto (adquirido com o uso repetido) substitua a aderência estrita às regras de segurança da ferramenta. A MÁ UTILIZAÇÃO ou o não cumprimento das regras de segurança indicadas neste manual de instruções pode provocar ferimentos pessoais graves.

## Apenas para países europeus

### Declaração de Conformidade da CE

#### A Makita declara que a(s) seguinte(s) máquina(s):

Designação da máquina: Atomizador

Modelo n.º/Tipo: SP-7650.4 R

Especificações: consulte a tabela "DADOS TÉCNICOS"

#### Está em conformidade com as diretivas europeias seguintes:

2006/42/CE, 2000/14/CE

São fabricadas de acordo com as seguintes normas ou documentos normalizados:

EN ISO 28139, ISO 10988

O ficheiro técnico está de acordo com a 2006/42/CE e está disponível em:

Makita, Jan-Baptist Vinkstraat 2, 3070, Bélgica

O procedimento de avaliação da conformidade obrigatório pela Diretiva 2000/14/CE estava em conformidade com o anexo V.

Nível medido de potência sonora: 110,1 dB

Nível garantido de potência sonora: 111 dB

8.7.2014



Yasushi Fukaya

Diretor

Makita, Jan-Baptist Vinkstraat 2, 3070, Bélgica

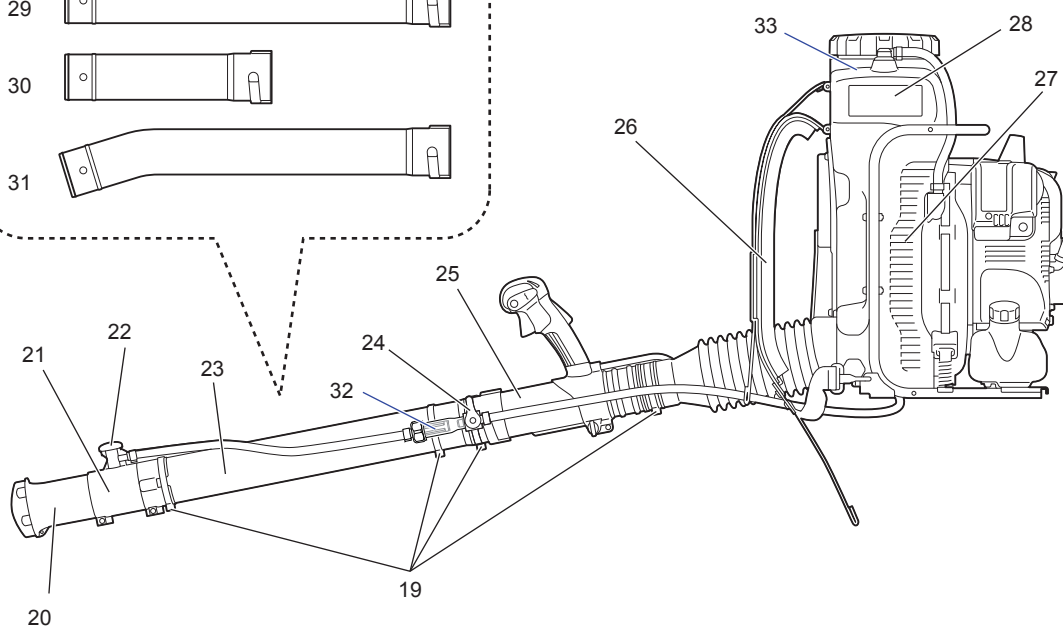
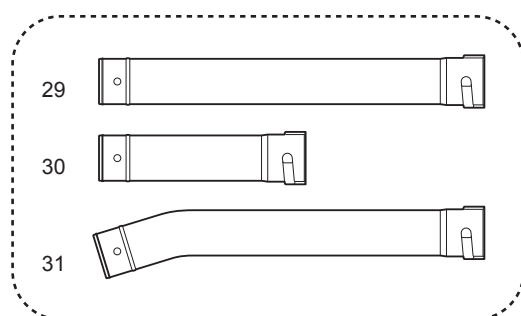
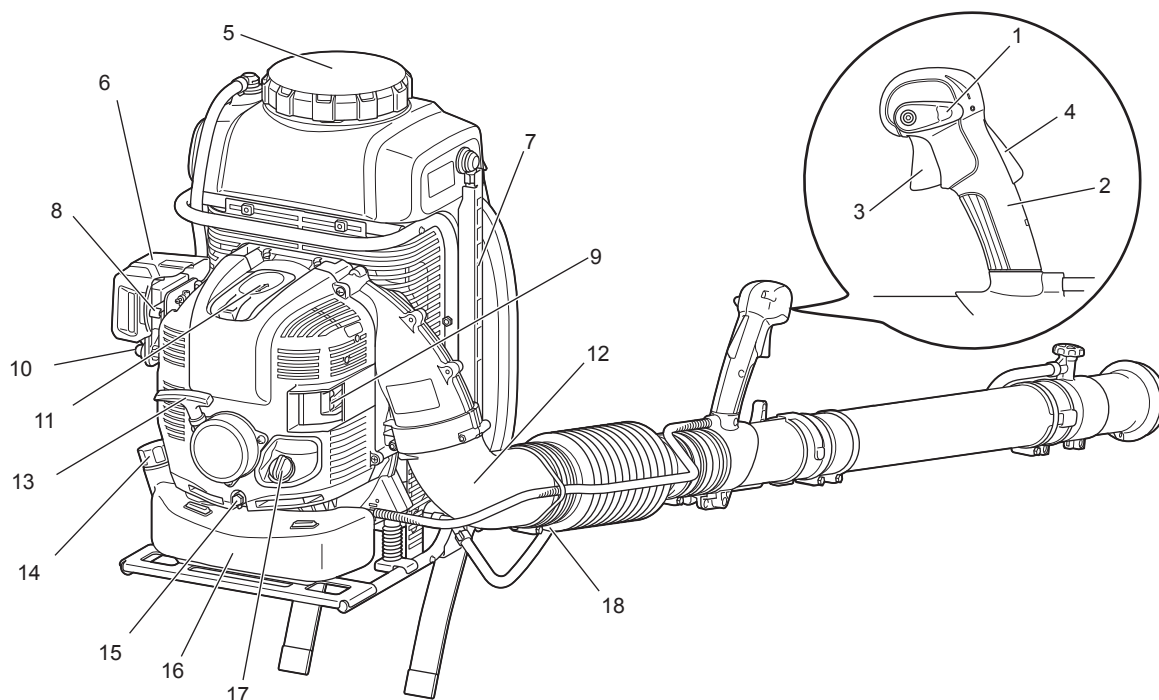
## DADOS TÉCNICOS

Modelo		SP-7650.4 R	
Peso (Atestado com combustível, com químicos, 220 ml de óleo do motor)	(kg)	30,4	
Peso (Peso seco)	(kg)	14,1	
Dimensões (sem o tubo do soprador C x L x A)	(mm)	420 x 440 x 595	
Tipo de motor		De 4-tempos, refrigerado a ar e de cilindro único	
Performance máx. do motor	(kW)	2,7	
Velocidade máx. do motor	(min <sup>-1</sup> )	7.400	
Velocidade do ralenti	(min <sup>-1</sup> )	2.800	
Deslocamento do motor	(cm <sup>3</sup> )	75,6	
Combustível		Gasolina para automóveis	
Capacidade do depósito de combustível	(l)	1,8	
Óleo do motor		Óleo de graduação API, classe SF ou superior, SAE 10W-30 (óleo de motor para automóveis de 4-tempos)	
Volume do óleo do motor	(l)	0,22	
Carburador (Carburador de diafragma)		WALBRO WYK	
Vela de ignição		NGK CMR6A	
Folga entre elétrodos	(mm)	0,7 – 0,8	
Capacidade do depósito da solução	(l)	15,0	
Alcance da pulverização (Horizontal/Vertical)	(m)	16 / 13	
Velocidade máx. do ar	(m/s)	85	
Taxa de fluxo de ar	(m <sup>3</sup> /min)	14,1	
Vibração por ISO 22867	a <sub>nv eq</sub>	(m/s <sup>2</sup> )	2,7
	Incerteza K	(m/s <sup>2</sup> )	0,8
Média do nível de pressão sonora de acordo com ISO 22868	L <sub>PA eq</sub>	dB (A)	95,4
	Incerteza K	dB (A)	2,9
Média do nível de potência sonora de acordo com ISO 22868	L <sub>WA eq</sub>	dB (A)	110,1
	Incerteza K	dB (A)	1,3

Nota:

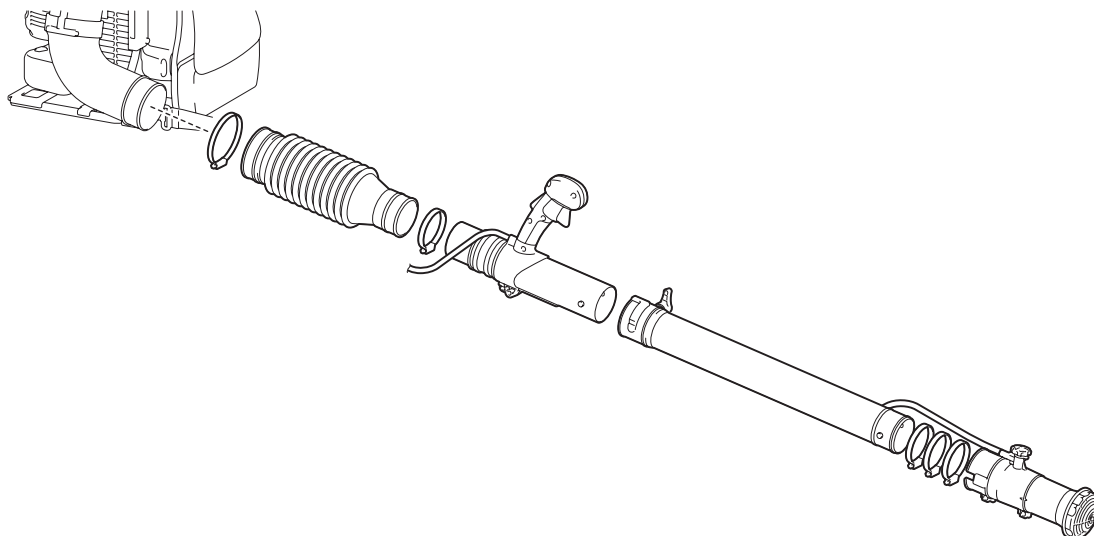
1. Utilize o óleo e a vela especificados na tabela.
2. Esta especificação está sujeita a alterações sem aviso prévio.
3. Utilize a linha de nível 10 l como linha guia para o peso bruto de 25 kg do nebulizador, incluindo a solução.
4. Os níveis de vibração e ruído são medidos utilizando o tubo reto (longo).

## DESIGNAÇÃO DE PEÇAS



1. Alavanca de controlo de paragem	12. Cotovelo	23. Tubo reto
2. Punho de controlo	13. Manípulo de arranque	24. Alavanca de descarga da solução
3. Acionador do acelerador	14. Tampa do depósito de combustível	25. Tubo giratório
4. Alavanca de desbloqueio	15. Parafuso de drenagem do óleo	26. Cinta para o ombro
5. Tampa do depósito de solução	16. Depósito de combustível	27. Rede de entrada de ar
6. Tampa do filtro de ar	17. Tampa do óleo	28. Depósito da solução
7. Tubo para verificação do nível de solução	18. Braçadeira da mangueira (diâmetro 100 mm)	29. Tubo reto (longo) (acessório opcional)
8. Alavanca do afogador	19. Braçadeira da mangueira (diâmetro 76 mm)	30. Tubo reto (curto) (acessório opcional)
9. Silenciador	20. Bocal superior	31. Tubo dobrado (acessório opcional)
10. Bomba de escorva	21. Segundo bocal	32. Filtro de rede da junta do tubo
11. Tampa da vela de ignição	22. Botão de regulação do líquido	33. Filtro de rede do depósito de solução (no depósito da solução)

# INSTRUÇÕES DE MONTAGEM



## Montar os tubos do nebulizador

### ⚠ PRECAUÇÃO:

- Antes de realizar qualquer trabalho no nebulizador, desligue sempre o motor e puxe os conectores da vela de ignição.
- Use sempre luvas de proteção!
- Ligue o nebulizador apenas depois de a montagem estar concluída.
- Certifique-se de todas as braçadeiras das mangueiras estão bem apertadas no fim da montagem.

### NOTA:

- Faça as cabeças dos parafusos das braçadeiras fiar do lado de fora quando os apertar, como ilustrado.

1. Monte o tubo giratório (1) com o tubo flexível (2).  
Aperte-os com a braçadeira de 76 mm de diâmetro (3).

2. Monte o tubo flexível no cotovelo (4) do nebulizador.  
Aperte-os com a braçadeira de 100 mm de diâmetro (5).

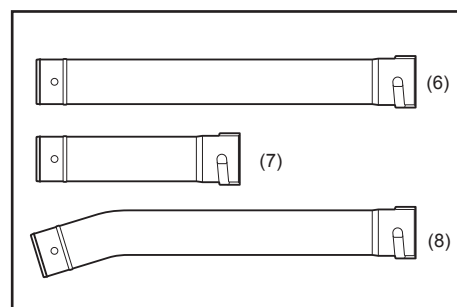
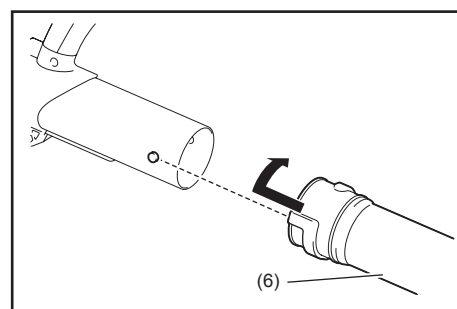
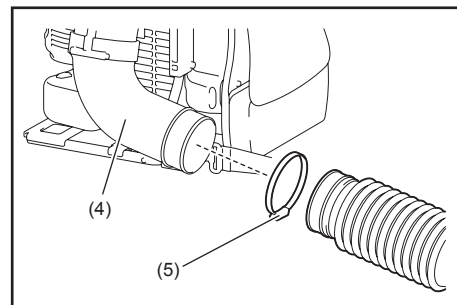
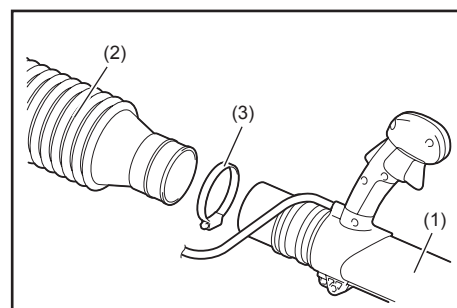
3. Monte o tubo reto (6) com o tubo giratório (1).  
Alinhe a ranhura do tubo reto com a projeção no tubo giratório e vire o tubo reto até este encaixar com um clique; a seguir, aperte-os com a braçadeira de 76 mm de diâmetro (3).

### NOTA:

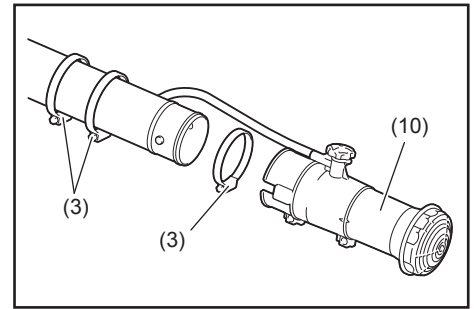
- O tubo reto referido acima significa os seguintes três tubos e pode ser substituído, dependendo das suas necessidades de trabalho.
  - Tubo reto (longo) (6)
  - Tubo reto (curto) (7)
  - Tubo superior dobrado (8)

Apenas um ou a combinação dos tubos acima é fornecido como equipamento de série com o seu nebulizador, que pode diferir de país para país.

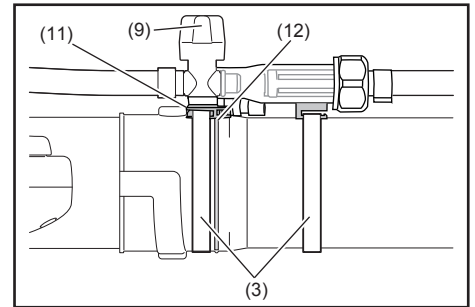
Poderá ser necessário obter os restantes tipos de tubos como acessórios opcionais.



4. Coloque duas bandas (3) com 76 mm de diâmetro em volta do tubo, deixando-as soltas (estas bandas são utilizadas posteriormente para apertar a alavanca de descarga da solução e a junta do tubo).  
Monte o segundo bocal (10) com o tubo reto.  
Aperte-os com outra banda com 76 mm de diâmetro (3).



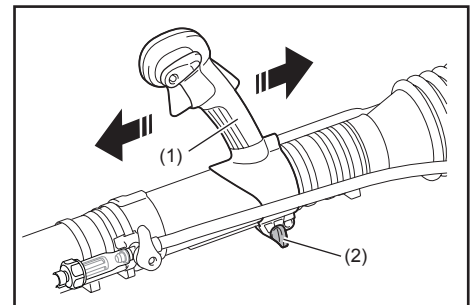
5. Coloque a alavanca de descarga da solução (9) sobre o tubo.  
Certifique-se de que o lado aberto da base da alavanca (11) está virado para o tubo da articulação.  
Alinhe a base da alavanca com a fenda da projeção no tubo reto (12).  
Depois, aperte-os com as bandas de 76 mm de diâmetro (3).



6. Certifique-se de que todas as braçadeiras estão bem apertadas.

### Ajustar e fixar o punho de controlo

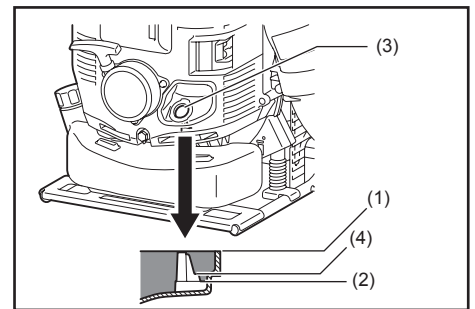
1. Ponha a máquina às costas e ajuste a cinta do ombro (ver "Ajustar a cinta do ombro").
2. Faça deslizar o punho de controlo (1) ao longo do tubo para a posição mais confortável.
3. Fixe o punho de controlo rodando o botão (2).



## ANTES DE PÔR O MOTOR A TRABALHAR

### 1. Verificar e reabastecer o óleo do motor

- 1) Siga o procedimento abaixo quando o óleo do motor estiver frio, isto é, quando o nebulizador não tiver estado a funcionar.
  - Inspeção: Coloque o nebulizador numa superfície nivelada e retire a tampa do óleo. Verifique se o nível do óleo está entre as marcas limite superior (1) e inferior (2) no indicador de nível do óleo (3). Se o nível de óleo não atingir a marca dos 100 ml (4), encha com óleo novo.
  - Acrescentar óleo: Poise o nebulizador sobre uma superfície nivelada e retire a tampa do óleo. Encha com óleo até ao limite superior do indicador de nível do óleo.
- 2) Em média, é necessário adicionar óleo do motor a cada 20 horas de funcionamento. Este intervalo para cada mudança do óleo corresponde a reabastecer o nebulizador aproximadamente 10 a 15 vezes.
- 3) Mude o óleo sempre que ficar sujo ou mudar significativamente de cor. (Consulte a pág. 178 para o procedimento e frequência da mudança do óleo.)  
Óleo recomendado: Óleo genuíno DOLMAR ou óleo SAE10W-30 do tipo API de graduação SF ou superior (óleo de motor para automóveis de 4-tempos)  
Capacidade de óleo: Aproximadamente 0,22 l (220 ml)



#### ⚠ PRECAUÇÃO:

- Se o nebulizador não for guardado de pé, o óleo pode sair pelo indicador de óleo e entrar no motor resultando numa leitura falsa quando se verifica o nível de óleo. Isto pode resultar em excesso de óleo adicionado inadvertidamente. Guarde sempre o nebulizador de pé.
- Se o limite superior do óleo for ultrapassado, o óleo pode ficar sujo e produzir fumo branco por queimar óleo em excesso.

#### Ponto de verificação #1: Relativamente à tampa do óleo ao acrescentar óleo

- Limpe a sujidade à volta da abertura antes de tirar a tampa do óleo.
- Retire a tampa do óleo e ponha-a sobre uma superfície limpa para não acumular areia, sujidade ou outros corpos estranhos. Estes podem colar-se à tampa e adulterar o óleo do motor se não se tomar o devido cuidado. Óleo sujo contendo areia, sujidade, ou corpos estranhos podem causar desgaste excessivo no motor devido a lubrificação inadequada e resultar numa avaria.



### **Ponto de verificação #2: Se for derramado óleo ao acrescentar**

- Derrame de óleo na parte de fora do nebulizador pode fazer com que o óleo do motor fique sujo ou adulterado. Por isso, limpe qualquer derrame de óleo antes de pôr o motor a funcionar.

## **2. Alimentação de combustível**

### **⚠ AVISO:**

- Quando reabastecer a unidade, certifique-se de que cumpre as instruções que se seguem para evitar ignição ou incêndio:
  - O abastecimento de combustível deve ser feito num local sem focos de incêndio. Nunca leve artigos que provoquem fogo (fumo, etc.) para perto do local onde faz o reabastecimento de combustível.
  - Pare o motor e deixe-o arrefecer antes de reabastecer.
  - Reabasteça numa superfície plana. Não reabasteça em local instável ou mal ventilado.
  - Reabasteça num local bem iluminado e com boa visibilidade.
  - Reabasteça num local aberto e desimpedido.
  - Abra a tampa do depósito de combustível lentamente. O combustível pode espirrar devido à pressão interna.
  - Tenha cuidado para não derramar combustível. Todo o combustível derramado tem de ser limpo.
  - Não encha mais do que o necessário.
  - Efetue a alimentação de combustível numa área bem ventilada.
- Manuseie o combustível com cuidado.
  - O combustível derramado sobre a pele ou que entre nos olhos pode provocar alergias ou irritação. Quando é detetada qualquer deformidade física, consulte imediatamente um médico especialista.

### **Período de armazenamento de combustível**

O combustível deve ser consumido num período de 4 semanas, mesmo se for mantido num recipiente especial num local bem ventilado e à sombra.

Se não se utilizar um recipiente especial ou se este não estiver tapado, o combustível pode deteriorar-se num dia.

### **Armazenamento da máquina e do depósito de reabastecimento**

- Mantenha a máquina e o depósito num local fresco sem luz solar direta.
- Nunca conserve o combustível na cabina ou porta-bagagens.

### **Combustível**

O motor é um motor a 4-tempos. Assegure-se de que utiliza gasolina para automóveis (gasolina normal ou especial).

### **Pontos relacionados com o combustível**

- Nunca utilize uma mistura de gasolina que contenha óleo de motor. Caso contrário, causa uma acumulação excessiva de carbono ou problemas mecânicos.
- A utilização de combustível deteriorado provocará irregularidades no arranque.

Ao reabastecer o combustível, não se esqueça de parar o motor e deixá-lo arrefecer.

### **Método de reabastecimento**

- Desaperte um pouco a tampa do depósito para que não haja diferença na pressão atmosférica.
- Desencaixe a tampa do depósito e reabasteça, descarregando o ar inclinando o depósito de combustível de forma que o orifício de reabastecimento fique virado para cima. (Nunca reabasteça combustível até chegar mesmo à entrada de enchimento do óleo.)
- Após o abastecimento, aperte bem a tampa do depósito.
- Se a tampa do depósito tiver falhas ou danos, substitua-a.
- A tampa do depósito desgasta-se. Substitua-a de dois em dois ou de três em três anos.

# ARRANCAR E PARAR O MOTOR

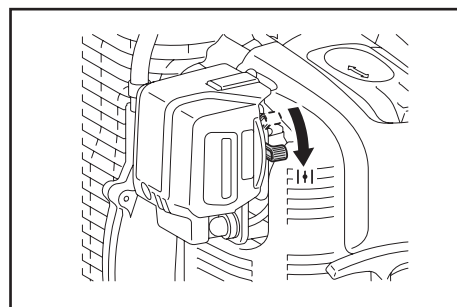
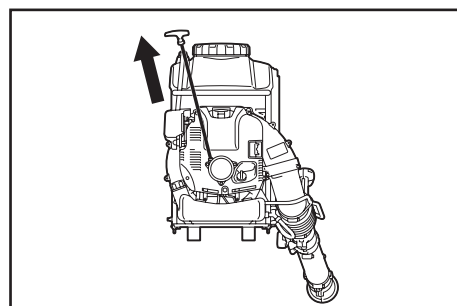
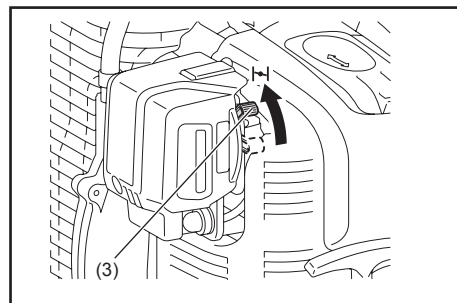
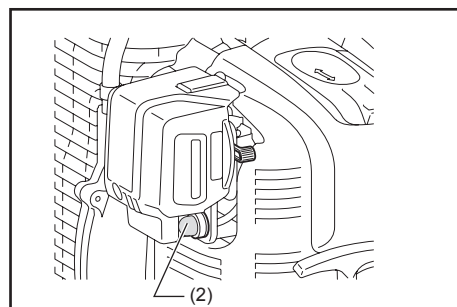
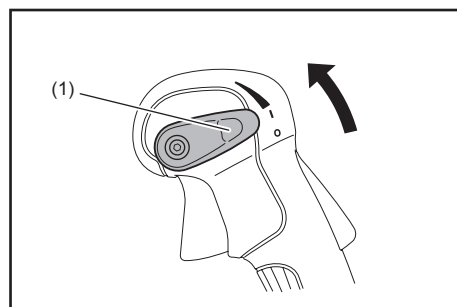
## 1. Arranque

### ⚠ AVISO:

- Não tente arrancar o motor no local onde abasteceu o combustível. Arranque o motor a uma distância de, pelo menos, 3 metros.
  - Caso contrário, pode provocar ignição ou incêndio.
- O gás de escape do motor é tóxico. Não ponha o motor a trabalhar num local mal ventilado, como num túnel, num edifício, etc.
  - Deixar o motor a trabalhar num local mal ventilado pode provocar envenenamento por gases de escape.
- Caso detete qualquer irregularidade no ruído, cheiro ou vibração após o arranque, pare o motor imediatamente e efetue uma inspeção.
  - Se o motor for operado sem ver qual a razão da irregularidade, pode ocorrer um acidente.
- Certifique-se de que o motor para quando a alavanca de controlo de paragem é colocada na posição “O”.
- Certifique-se de que a alavanca de descarga da solução está fechada, antes de pôr a máquina em funcionamento.

### 1) Quando o motor está frio ou após o reabastecimento (arranque a frio):

- (1) Monte esta máquina num espaço plano.
- (2) Coloque a alavanca de controlo de paragem (1) na posição “I”.
- (3) Empurre a bomba de escorva (2) várias vezes até entrar combustível dentro dela.
  - Em geral, o combustível entra no carburador depois de empurrar 7 a 10 vezes.
  - Se a bomba de escorva for empurrada em demasia, um excesso de gasolina regressa ao depósito de combustível.
- (4) Levante a alavanca do afogador (3).
- (5) Segure a tampa do filtro de ar com a mão esquerda para evitar movimentos do motor, arranje uma posição estável.
- (6) Puxe o manípulo de arranque lentamente até sentir compressão. Depois, puxe com força. Podem ser necessárias duas a quatro tentativas até o motor arrancar.
  - Não puxe a extensão total da corda.
  - Volte a colocar o manípulo do motor de arranque com cuidado dentro do alojamento. Caso contrário, o manípulo de arranque solto pode bater-lhe no corpo ou pode não rebobinar adequadamente.
- (7) Quando o motor arrancar, baixe gradualmente a alavanca do afogador ao mesmo tempo que verifica o funcionamento do motor. Certifique-se de que baixa completamente a alavanca do afogador no final.
  - Em tempo frio ou quando o motor arrefeceu, baixe sempre lentamente a alavanca do afogador. Caso contrário, o motor pode parar.
- (8) Agarre o punho de controlo (a alavanca de desbloqueio é libertada quando agarra) e puxe o accionador do acelerador para operação de aquecimento. Continue a operação de aquecimento durante 2 a 3 minutos.
- (9) Quando a rotação do motor estabilizar e o motor acelerar regularmente de baixa para alta velocidade pelo movimento do acelerador, o aquecimento está concluído.



#### NOTA:

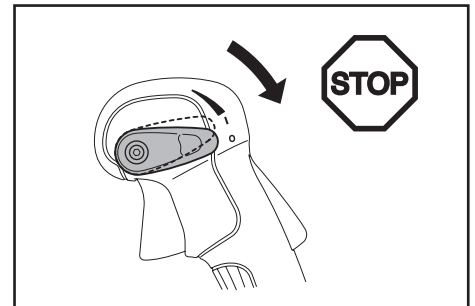
- O motor pode ficar danificado se a alavanca do afogador for movida para lá da posição “FECHAR”.
- Se o motor parar com um som de explosão ou se o motor arrancar mas parar antes de acionar a alavanca do afogador, volte a pô-lo na posição “ABRIR” e puxe várias vezes o manípulo de arranque para arrancar novamente o motor.
- Se o operador continuar a puxar o manípulo de arranque várias vezes com a alavanca do afogador na posição “FECHAR”, poderá ser difícil arrancar o motor devido a excesso de aspiração de combustível, afogando o motor.
- Se o motor afogar, retire a vela de ignição e puxe o manípulo rapidamente várias vezes para descarregar o combustível em excesso. Seque o elétrodo da vela de ignição.
- Quando a válvula do acelerador não volta à posição em que está em contacto com o parafuso de ajuste do ralenti, mesmo que o gatilho do acelerador esteja colocado na velocidade baixa, corrija o estado de recolha do cabo de controlo para garantir o retorno correto da válvula.

#### 2) Quando o motor está quente (arranque a quente)

- (1) Coloque o motor numa superfície nivelada.
- (2) Empurre a bomba de escorva várias vezes.
- (3) Certifique-se de que a alavanca do afogador está em baixo.
- (4) Segure a tampa do filtro de ar com a mão esquerda para evitar movimentos do motor, arranje uma posição estável.
- (5) Puxe o manípulo de arranque lentamente até sentir compressão. Depois, puxe com força.
- (6) Quando é difícil arrancar o motor, abra a válvula do acelerador cerca de 1/3.

## 2. Parar

- 1) Solte o gatilho do acelerador para reduzir a velocidade do motor, e coloque a alavanca de controlo de paragem na posição “O”.



## REGULAR A VELOCIDADE DO RALENTI

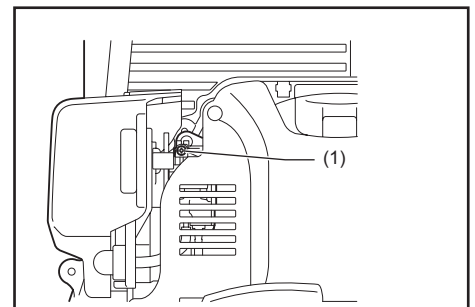
#### ⚠ PERIGO:

- O ajuste do carburador é completado quando a máquina é expedida da fábrica. Não faça qualquer outra regulação para além do ralenti. Quando a regulação se tornar necessária, consulte o seu centro de assistência autorizado.

#### Verificação da velocidade do ralenti

Regule a velocidade do ralenti para 2.800 min<sup>-1</sup>.

- Se for necessário alterar a velocidade da rotação, regule o parafuso de ajuste (1) com uma chave Phillips.
- Gire o parafuso de ajuste para a direita para aumentar a rotação do motor. Gire o parafuso de ajuste para a esquerda para reduzir a rotação do motor.



## MÉTODO DE FUNCIONAMENTO

### Instalar o filtro coletor

O nebulizador está equipado com filtros coletores na abertura do depósito da solução e na cabeça de entrada do tubo.

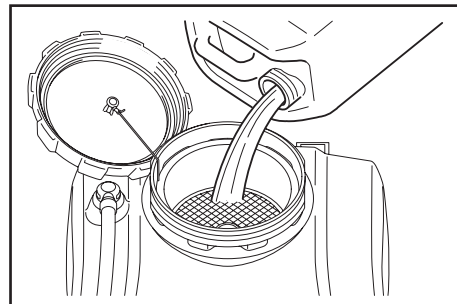
Certifique-se sempre de que o filtro coletor está instalado no devido lugar.

Para instalar o filtro coletor, empurre-o até encaixar no lugar.

Para o retirar, utilize um sistema de alavanca para o fazer sair.

#### ⚠ AVISO:

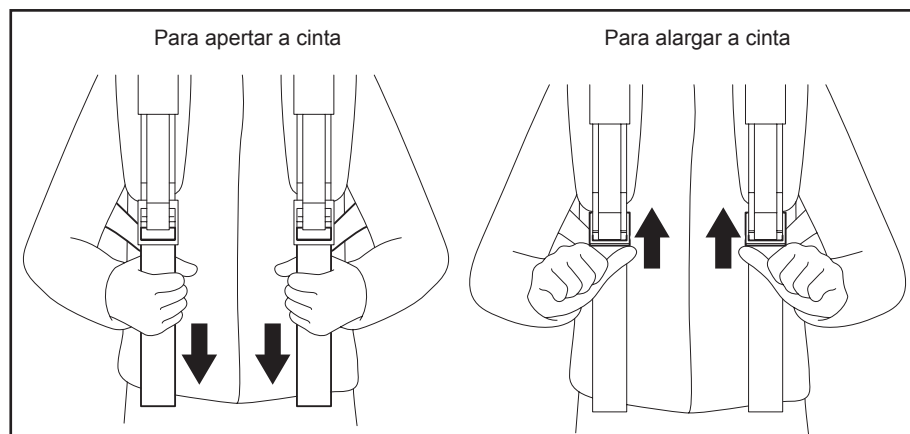
- Aperte com firmeza a tampa do depósito. Não o fazer pode dar origem a fuga de solução, redução da pressão, etc.



### Ajustar a cinta do ombro

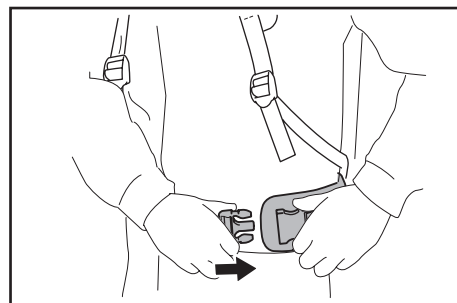
Ajuste a cinta para o ombro a um comprimento confortável para trabalhar enquanto transporta o nebulizador.

Ajuste como mostra a figura.



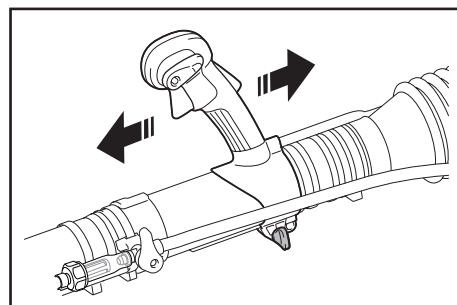
### Cinto para a anca (acessório opcional)

O cinto para a anca (acessório opcional) permite ao operador transportar a máquina com maior estabilidade.



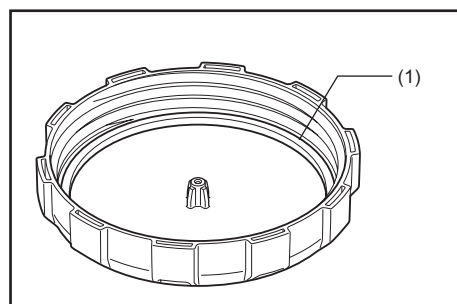
### Ajustar o punho de controlo

Mova o punho de controlo ao longo do tubo giratório até encontrar a posição mais confortável.

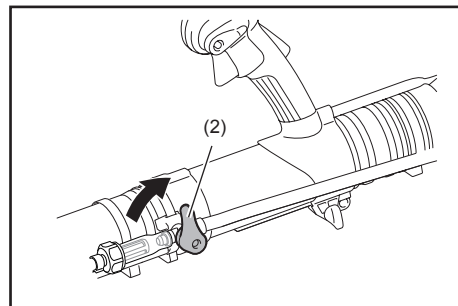


### Encher o depósito da solução

1. Mantenha a junta (1) em bom estado, lubrificada com massa lubrificante e limpa.
2. Poise o nebulizador sobre uma superfície plana.



3. Antes de encher o depósito da solução, certifique-se de que fecha a alavanca de descarga da solução (2).

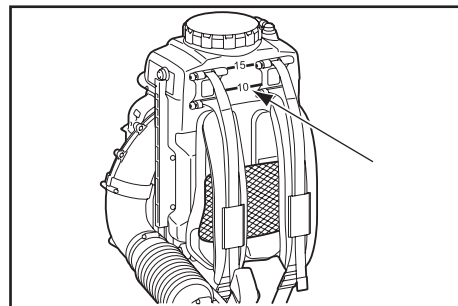


4. O depósito tem capacidade para 15 litros de solução.

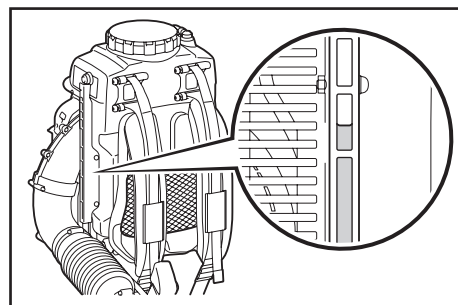
Quando o depósito está cheio, o peso total, incluindo a solução, é de quase 30 kg. Regule o volume de enchimento da solução para que o nebulizador com solução no depósito não tenha excesso de peso e possa ser transportado pelo operador.

Quando se deitam 10 litros de solução (ou seja, quando o nível de solução adicionada atinge a marca dos 10 litros na parte lateral do depósito), o peso total do produto é de quase 25 kg.

Recomenda-se que o peso total da máquina não seja superior a 30 kg para homens, 25 kg para mulheres.

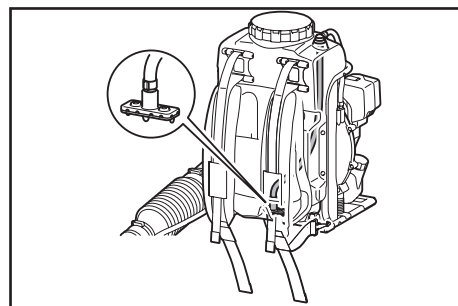


Use o nível de solução no tubo no lado do nebulizador como guia para verificar o nível de solução no depósito.



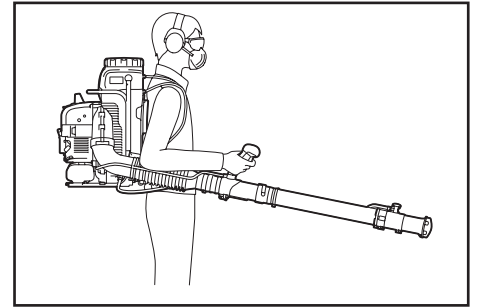
### Função de mistura de solução

O dispositivo de mistura de solução dentro do depósito permite que a solução seja misturada com bolhas de ar que saem durante a operação de pulverização.



## Operação do nebulizador

Para aumentar a velocidade do motor, agarre o punho de controlo (a alavanca de desbloqueio é libertada quando agarra) e puxe o acionador do acelerador. A pressão no acionador do acelerador controla a velocidade do motor.



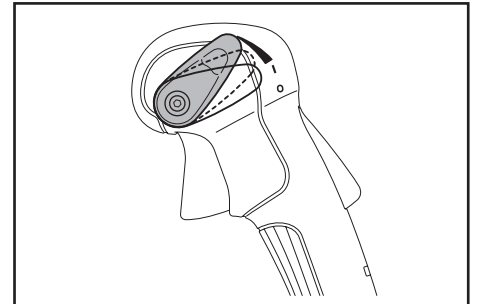
A posição da alavanca de controlo de paragem pode limitar o ângulo do acionador do acelerador.

Há quatro posições para a alavanca de controlo de paragem. "0" (paragem do motor), "I", e duas posições de limitação do ângulo do acionador do acelerador.

A posição "I" não limita a velocidade do motor (pode puxar completamente o acionador do acelerador).

O ângulo do acionador do acelerador fica limitado a partir de um passo acima da posição "I". O acionador do acelerador é mais limitado quando se move a alavanca de controlo de paragem mais um passo acima da posição "I".

Regule a velocidade do motor de maneira adequada ao local de trabalho e condições durante a operação.

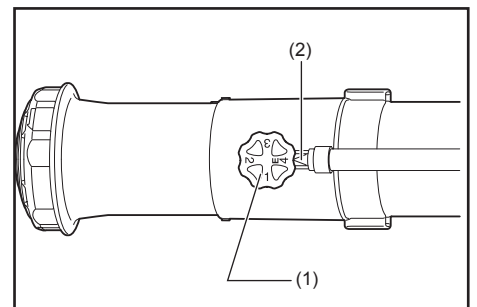
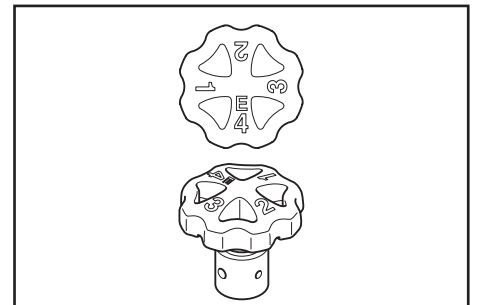


## Botão de regulação do líquido

O botão de regulação do líquido permite uma vasta gama de velocidades de descarga.

Regular a velocidade de descarga

Rode o botão de regulação do líquido (1) no segundo bocal para obter a velocidade de descarga pretendida de forma que o número no botão de regulação do líquido fique alinhado com a marca de triângulo (2).



Velocidade de descarga

Pulverize segurando o tubo reto num ângulo entre os 0 graus e os graus negativos na horizontal.

Posição do botão	Velocidade de descarga (l/min.) (volume médio)
1	0,36
2	1,0
3	1,6
4	2,5

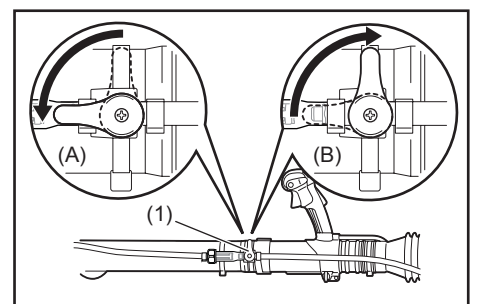
### NOTA:

- Use os números mostrados na tabela acima como linha guia para a operação e estes podem ser alterados de acordo com a densidade da solução química presente no depósito.

## Alavanca de descarga da solução

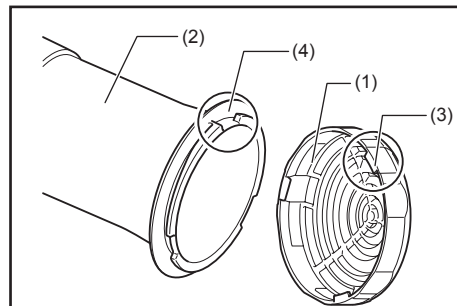
Para iniciar a alimentação da solução (A), vire a alavanca de descarga da solução (1) horizontalmente em relação ao tubo.

Para parar a alimentação da solução (B), vire a alavanca de descarga da solução verticalmente em relação ao tubo.

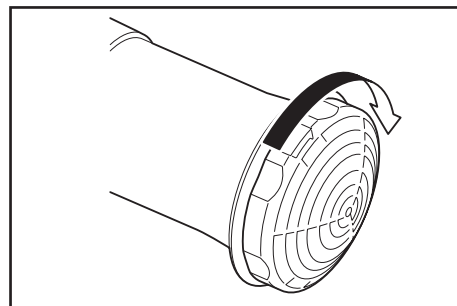


### Instalar e retirar a tampa de dispersão

Para instalar a tampa de dispersão (1), monte-a no bocal superior (2) de maneira que a sua protuberância (3) fique alinhada com o entalhe (4) no bocal superior.



Fixe a tampa de dispersão rodando-a completamente para a direita.



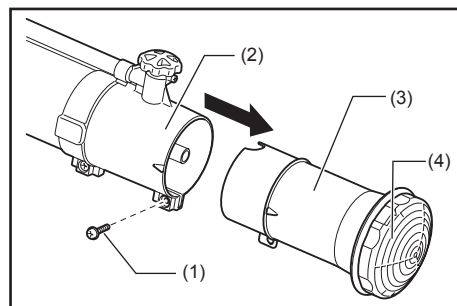
Para retirar a tampa de dispersão, siga o procedimento acima pela ordem inversa.

### Mudar o bocal para um bocal de descarga de pequena quantidade de solução (acessório opcional)

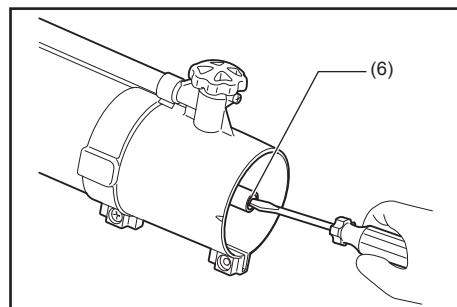
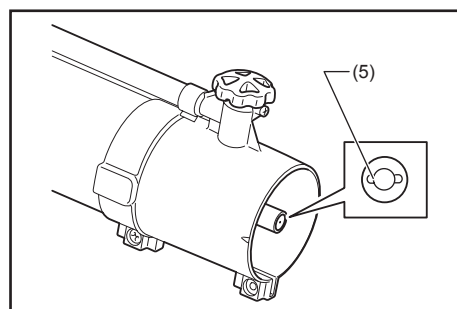
Quando é necessário pulverizar uma pequena quantidade de solução, substitua a tampa do bocal por outro tipo de tampa de bocal fornecida, com um pequeno orifício de descarga.

Para substituir o bocal, siga o procedimento abaixo.

1. Retire o parafuso (1) do segundo bocal (2) e depois retire o bocal superior (3) e a tampa de dispersão (4).



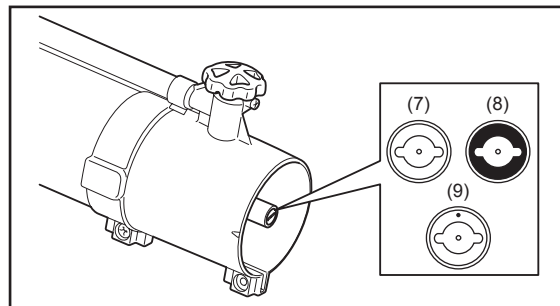
2. Insira uma chave de fendas (5) no bocal superior e retire a tampa do bocal (6) rodando-a completamente para a esquerda.



3. Monte outro bocal fornecido com um pequeno orifício de descarga.

**NOTA:**

- Escolha o bocal correto de entre os dois seguintes, de acordo com o tipo (viscosidade) do produto químico que vai usar.



Tipo de bocal	Viscosidade do produto químico	Exemplo de produto químico	Velocidade de descarga (l/min.)*1
Bocal de alumínio (cor prateada) (7) *2	Alta	MALATHION (Misturar o óleo.)	0,14
Bocal de latão (cor dourada) (8) *2	Baixa	Aqua K-Othrine (Misturar a água.)	0,075
Bocal de latão com marca de punção (cor dourada) (9) *2	Baixa	Cipermetrinato (Misturar a água.)	0,060

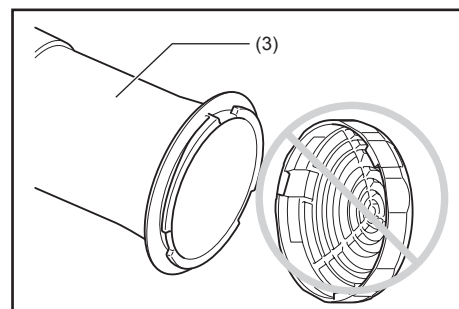
**Nota 1:** A velocidade de descarga indicada na tabela refere-se a apenas água, utilizada como linha guia. Isto varia em função dos químicos utilizados.

**Nota 2:** O tipo de bocais fornecidos com o nebulizador muda de país para país.

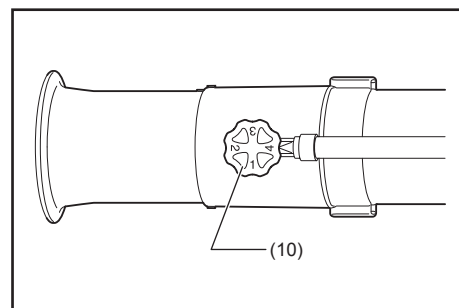
4. Monte o bocal superior (3) e fixe-o com o parafuso (1).

**NOTA:**

- Quando utilizar um bocal de descarga de pequena quantidade de solução, não monte a tampa de dispersão (4); ponha-a de lado para que não se perca.



5. Regule o botão (10) para a posição 4.

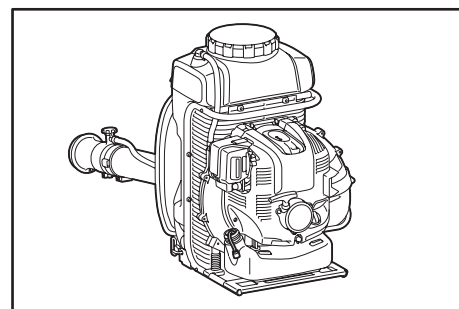


**TRANSPORTAR O NEBULIZADOR**

Mantenha o nebulizador na vertical sempre que o transportar ou armazenar. Se o transportar ou armazenar numa posição diferente pode fazer com que o óleo derrame para dentro do motor do nebulizador. Isto pode resultar em fugas de óleo e em fumo branco resultante do óleo queimado, e o filtro de ar pode ficar sujo com óleo.

**⚠ PERIGO:**

- Quando transportar e armazenar o nebulizador, certifique-se de que o motor está parado.





## Drenar e limpar o depósito da solução

### ⚠ AVISO:

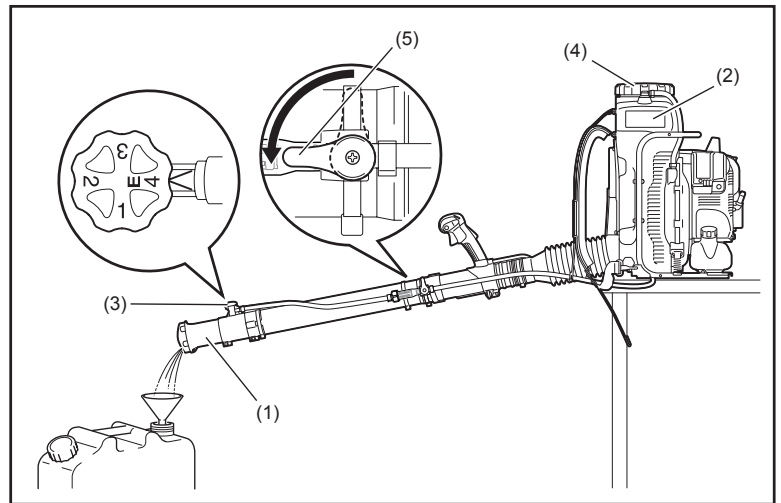
- Use sempre luvas de borracha/resistentes a químicos ao limpar e drenar o depósito da solução.

### Drenar o depósito da solução

#### ⚠ AVISO:

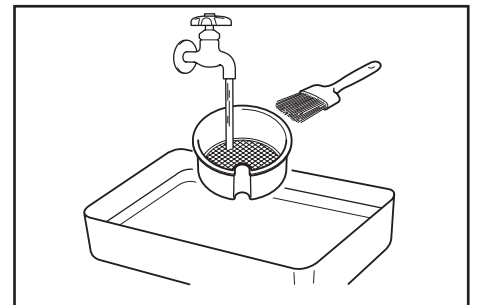
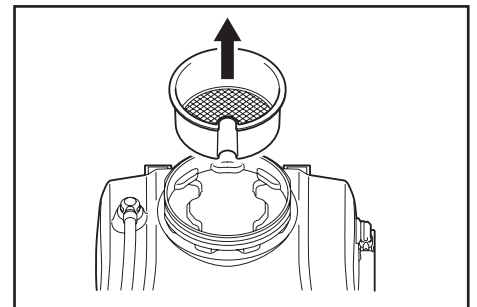
- Nunca elimine produtos químicos ou água de lavagem abrindo a tampa na parte inferior do depósito da solução.
- Antes e depois de drenar, certifique-se de que a alavanca de descarga da solução está fechada.
- Se ainda existir solução química restante no depósito de solução depois de o método mencionado no manual de instruções, incline a máquina na direção do tubo para escorrer a solução restante.

1. Poise o nebulizador sobre uma superfície estável. Posicione o bocal (1) mais abaixo que a parte inferior do depósito de solução (2) e coloque um recipiente de recolha por baixo.
2. Regule o botão (3) para a posição E.
3. Abra ligeiramente a tampa do depósito da solução (4) para libertar a pressão do depósito.
4. Abra a alavanca de descarga da solução (5). A solução química é descarregada pelo bocal.
5. Limpe o interior do depósito com água.



### Limpar o filtro coletor do depósito da solução

Retire a tampa do depósito, retire o filtro coletor do interior do depósito e limpe-o após a utilização.

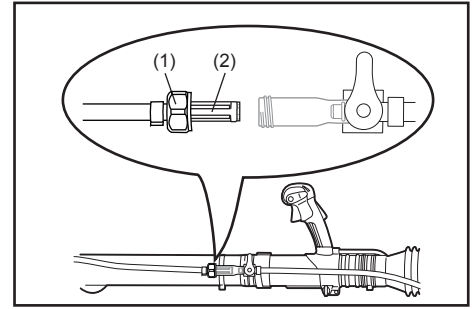


## Limpar a junta do tubo

### ⚠ AVISO:

- Não retire a banda da mangueira, o tubo ou a tampa quando a alavanca de descarga de solução estiver aberta.
- Não solte a tampa quando a alavanca de descarga da solução está aberta.

1. Solte e retire a tampa (1) que sai com o filtro de rede (2).
2. Remova as poeiras e partículas do filtro de rede.
3. Volte a colocar o filtro de rede na posição original. Certifique-se de que aperta firmemente a tampa.



## INSPEÇÃO E MANUTENÇÃO

### ⚠ PERIGO:

- Antes de inspecionar e realizar quaisquer trabalhos de manutenção, pare o motor e deixe-o arrefecer. Retire a vela de ignição e a tampa da vela de ignição.
  - Se se tentar efetuar uma inspeção ou manutenção imediatamente após a paragem do motor ou com a vela de ignição montada, o operador pode sofrer queimaduras ou um acidente devido a um arranque imprevisto.
- Após a inspeção e a manutenção, certifique-se de que todas as peças estão montadas. Depois, continue com a operação.
- Use sempre luvas de borracha/resistentes a químicos para efetuar a inspeção e manutenção.

### OBSERVAÇÃO:

- Nunca utilize gasolina, benzina, diluente, álcool ou produtos semelhantes. Pode ocorrer descoloração, deformação ou rachaduras.

## Substituição do óleo do motor

O óleo do motor deteriorado encurta grandemente a vida útil das peças deslizantes e rotativas. Certifique-se de que verifica o intervalo da mudança de óleo e a quantidade de óleo a substituir.

### ⚠ PERIGO:

- Em geral, a unidade principal do motor e o óleo do motor continuam quentes logo após desligar o motor. Quando for substituir o óleo, certifique-se de que a unidade principal do motor e o óleo do motor estão suficientemente frios. Caso contrário, o risco de queimadura continua a existir. Além disso, logo após a paragem do motor, o óleo pode não voltar para o cárter. Não verifique o nível do óleo logo após a paragem do motor.
- Se o óleo estiver acima do limite, pode estar contaminado ou pode incendiar-se com fumo branco.

**Intervalo de substituição:** Inicialmente, a cada 20 horas de funcionamento e subsequentemente a cada 50 horas de funcionamento

**Óleo recomendado:** Óleo SAE10W-30 de classificação API, classe SF ou superior (óleo para motores de automóvel a 4-tempos)

## Procedimento de mudança de óleo

1. Coloque o nebulizador sobre uma superfície nivelada.
2. Coloque um recipiente de recolha de óleo residual sob o orifício de drenagem (1) para apanhar o óleo ao drená-lo.  
O recipiente deve ter capacidade para, pelo menos, 220 ml para comportar todo o óleo.
3. Afrouxe o parafuso de drenagem de óleo (2) para deixar o óleo sair. Tenha cuidado para não deixar que o óleo entre no depósito de combustível ou noutras partes.

### ⚠ PRECAUÇÃO:

- Tenha cuidado para não perder a junta (anilha de alumínio) (3). Coloque o parafuso de drenagem do óleo (2) num local onde não acumule sujidade.

4. Retire a tampa do óleo (4). (Se tirar a tampa do óleo (4), o óleo flui mais facilmente).

### ⚠ PRECAUÇÃO:

- Certifique-se de que coloca a tampa do óleo (4) num local onde não acumule sujidade.

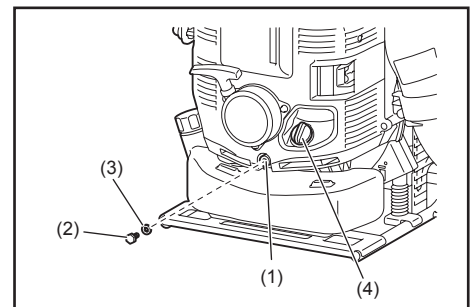
5. À medida que óleo que está a ser drenado diminui, incline o nebulizador para o lado do dreno de modo que todo o óleo seja drenado.
6. Depois de o óleo ser completamente drenado, aperte o parafuso de drenagem do óleo (2) de forma segura. Se o parafuso não estiver bem apertado, pode resultar em fuga de óleo.

### ⚠ PRECAUÇÃO:

- Não se esqueça de voltar a instalar a junta (anilha de alumínio) (3) no lugar quando voltar a colocar o tampão de drenagem.

7. O procedimento de enchimento de óleo durante o procedimento de mudança de óleo é o mesmo que o procedimento explicado separadamente para adicionar óleo quando o nível é insuficiente. Adicione sempre óleo enchendo a partir da abertura por baixo da tampa do óleo. (Nível de óleo especificado: aproximadamente 220 ml).

8. Depois de encher com óleo, aperte a tampa do óleo (4) em segurança para evitar fugas de óleo.



### Pontos importantes na mudança do óleo do motor

- Nunca elimine o óleo de motor usado junto com o lixo doméstico, não o elimine no chão (terra) nem numa entrada de esgoto. A eliminação do óleo está regulada por lei. Aquando da eliminação, siga sempre as respetivas leis e regulações. Para outros pontos que não tenha conhecimento, contacte um Agente de Assistência Técnica autorizado.
- O óleo deteriora-se mesmo quando não é utilizado. Execute a inspeção e a substituição a intervalos regulares (substitua por óleo novo a cada 6 meses).

### Limpeza do filtro de ar

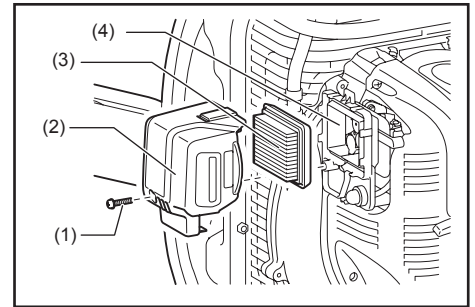
**⚠ AVISO:** AGENTES INFLAMÁVEIS ESTRITAMENTE PROIBIDOS

Intervalo de limpeza e inspeção: Diariamente (de 10 em 10 horas de funcionamento)

1. Solte o parafuso com cabeça (1).
2. Retire a tampa do filtro de ar (2).
3. Retire o elemento do filtro (3) e retire qualquer sujidade com a escova.

#### NOTA:

- O elemento é do tipo seco e não pode molhar-se. Nunca lave com água.
4. Substitua o elemento por um elemento novo se aquele estiver danificado ou se estiver muito sujo.
  5. Limpe todo o óleo que tenha entrado em contacto com o respirador com um trapo ou pano.
  6. Instale o elemento na caixa do filtro de ar (4).
  7. Fixe a tampa do filtro de ar e aperte o parafuso com cabeça.



#### ⚠ PERIGO:

- Limpe o elemento várias vezes por dia caso apresente muito pó.
- Caso continue a utilizar a máquina com o elemento sujo de óleo, o óleo dentro do filtro de ar pode jorrar para fora resultando em contaminação de óleo.

### Verificação da vela de ignição

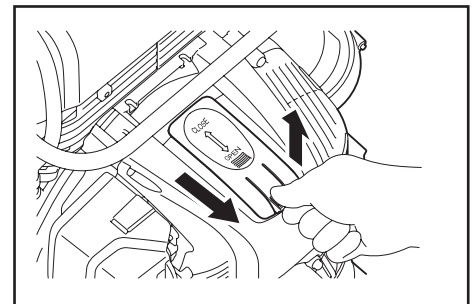
#### ⚠ PRECAUÇÃO:

- Quando retirar a vela de ignição, limpe primeiro a vela e a cabeça de cilindros, para que não entre areia, sujidade, etc. no cilindro.
- Retire a vela de ignição apenas depois de o motor ter arrefecido para evitar danificar o orifício roscado no cilindro.
- A vela de ignição tem de ser instalada corretamente no orifício roscado. Se for instalada inclinada, o orifício roscado no cilindro fica danificado.

#### 1. Abrir/fechar a tampa da vela de ignição

Para abrir a tampa da vela de ignição, puxe para cima pelo rebordo da projeção da tampa da vela e faça-a deslizar na direção da indicação "ABRIR" como mostra a figura à direita.

Ao fechar a tampa, faça-a deslizar na direção "FECHAR" até a protuberância por baixo da projeção da tampa da vela dar um estalido, indicando que passou por cima da tampa do motor. Por último, empurre a projeção para dentro.



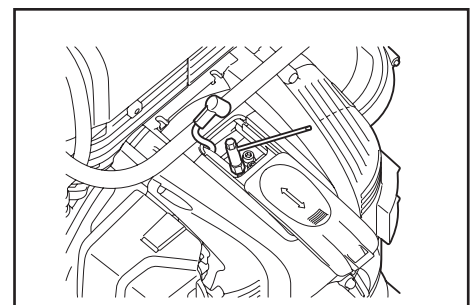
#### 2. Remover a vela de ignição

Utilize a chave de caixa incluída para retirar ou instalar a vela de ignição.

#### 3. Verificação da vela de ignição

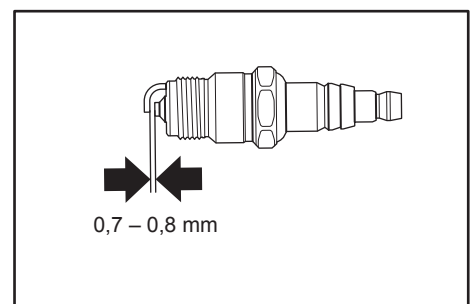
A folga entre os dois elétrodos da vela de ignição é 0,7 a 0,8 mm (ver figura). Ajuste a folga correta se for demasiado elevada ou reduzida.

Limpe bem ou substitua a vela se tiver acumulado carbono ou se estiver contaminada.



#### 4. Substituir a vela de ignição

Para a substituição, utilize a NGK-CMR6A.



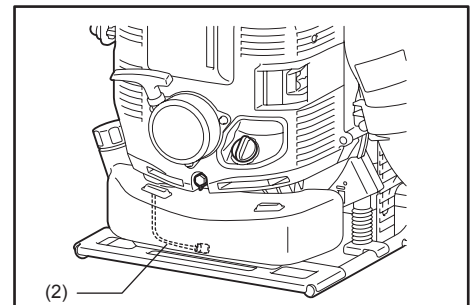
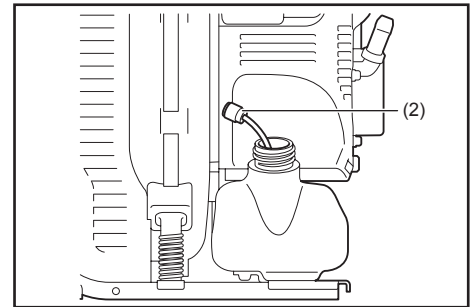
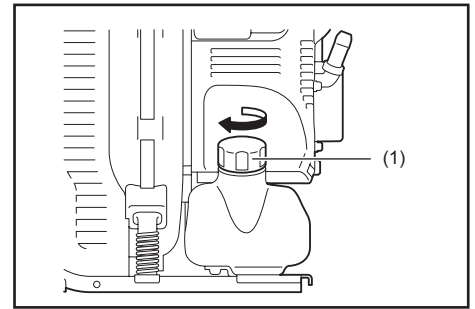
## Limpeza do filtro de combustível

- Um filtro de combustível entupido pode provocar dificuldades de arranque ou falha de aumento da velocidade do motor.
- Verifique o filtro de combustível regularmente como se segue:

1. Retire a tampa do depósito de combustível (1), drene o combustível para esvaziar o depósito. Verifique o interior do depósito para ver se existem matérias estranhas. Se existirem, limpe-as.
2. Retire o filtro de combustível (2) com o fio puxando-o pela porta de enchimento de combustível.
3. Se a superfície do filtro de combustível estiver contaminada, limpe-a com gasolina. Gasolina contaminada deve ser eliminada de acordo com o método especificado pelas autoridades locais. Um filtro excessivamente contaminado tem de ser substituído.
4. Volte a colocar o filtro de combustível dentro do depósito e aperte firmemente a tampa do depósito de combustível.

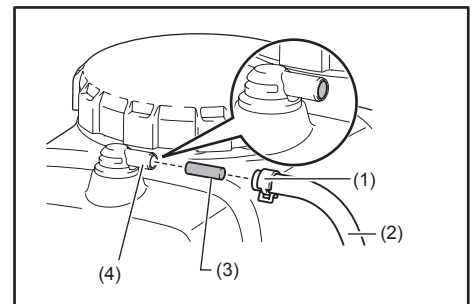
### NOTA:

- Ao voltar a colocar o filtro de combustível no depósito, volte a pô-lo na posição correta como mostra a figura. Para substituição, contacte o seu centro de assistência autorizado.



## Limpar o elemento de limpeza do tubo de junção

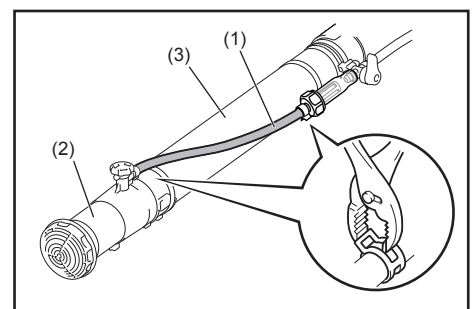
1. Retire a braçadeira da mangueira (1) e a mangueira (2).
2. Retire o elemento do filtro (3) e retire qualquer sujidade com a escova. Se for difícil puxar o elemento para fora, use um pau fininho para o extrair.
3. Substitua o elemento por um elemento novo se aquele estiver danificado ou se estiver muito sujo.
4. Pressione o elemento para dentro do tubo de junção (4) até a parte de trás do elemento estar nivelada com a extremidade da entrada.
5. Instale a mangueira e fixe-a com uma braçadeira.



## Substituição da mangueira de solução

- Verifique com frequência a mangueira de solução (1). Uma mangueira danificada pode resultar em fuga de solução química. Se for necessário, substitua a mangueira como segue:

1. Retire o bocal (2) do tubo (3).
2. Desaperte a braçadeira da mangueira e depois substitua a mangueira antiga por uma nova.



## Inspeção dos parafusos, porcas e pernos

- Reaperte parafusos e porcas desapertados, etc.
- Verifique se há fugas de combustível ou óleo.
- Substitua as peças danificadas por peças novas para um funcionamento seguro.

## Substituição das juntas e enchimentos

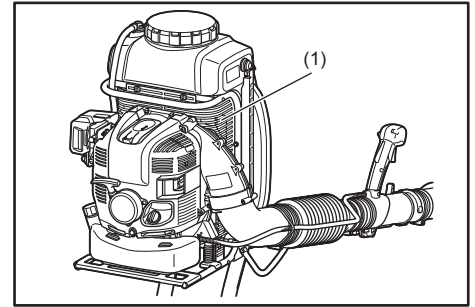
Quando voltar a montar, depois de desmontar o motor, certifique-se de que substituiu juntas vedantes e enchimentos por novos.

## Limpeza das peças

- Mantenha o motor sempre limpo.
- Mantenha as pás do cilindro sem poeiras ou sujidade. A poeira ou sujidade coladas às pás provocam problemas.
- O ar de sopro é absorvido através da rede de entrada de ar (1). Quando o fluxo de ar diminui durante a operação, pare o motor e inspecione a rede de entrada de ar para ver se há obstáculos a bloqueá-la.
- Note que não remover tais obstáculos pode resultar em sobreaquecimento do motor com os correspondentes danos.

### ⚠ AVISO:

- Nunca utilize o nebulizador sem a rede. Antes de cada utilização, verifique se a rede está presa no lugar e não tem quaisquer danos.



Qualquer manutenção de trabalhos de ajuste que não esteja incluída e descrita neste manual só pode ser realizada por um Centro de Assistência Técnica autorizado.

## ARMAZENAMENTO

### Drenagem do combustível

#### ⚠ AVISO:

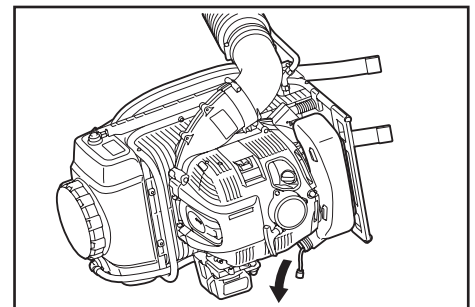
- Ao drenar o combustível, não se esqueça de parar o motor e deixá-lo arrefecer.  
– Logo depois de parar o motor, este pode ainda estar quente, com possibilidade de queimaduras, inflamabilidade e incêndio.

#### ⚠ PRECAUÇÃO:

- Quando a máquina não é utilizada durante um longo período, drene todo o combustível do depósito de combustível e carburador e guarde-a num local seco e limpo.

Drene o combustível do depósito de combustível e carburador de acordo com o procedimento seguinte:

- 1) Retire a tampa do depósito de combustível e drene completamente o combustível.  
Se restarem algumas substâncias estranhas no depósito de combustível, retire-as por completo.
- 2) Retire o filtro do combustível puxando-o a partir da porta de reabastecimento utilizando um fio.
- 3) Empurre a bomba de escorva até o combustível da bomba ser drenado e drene o combustível que entra no depósito de combustível.
- 4) Reponha o filtro no depósito de combustível e aperte bem a tampa do depósito.
- 5) Depois, continue a operar o motor até parar completamente.
- 6) Retire a vela de ignição e deixe cair várias gotas de óleo do motor através do orifício da vela de ignição.
- 7) Puxe suavemente o manípulo de arranque de modo que o óleo do motor se espalhe sobre o motor e instale a vela de ignição.
- 8) Em armazenamento, mantenha a máquina na vertical.
- 9) Guarde o combustível drenado num recipientes especial, à sombra, e num local bem ventilado.



### Drenar o depósito da solução

#### ⚠ AVISO:

- Ao drenar o depósito da solução, não se esqueça de parar o motor e confirmar que arrefeceu.  
– Logo depois de parar o motor, este pode ainda estar quente, com possibilidade de queimaduras, inflamabilidade e incêndio.

Antes de armazenar o nebulizador, drene o depósito da solução, consultando a secção com o título “Drenar e limpar o depósito da solução”.

### Limpeza do filtro coletor no topo do depósito de solução

Quando armazenar o nebulizador, limpe sempre o filtro coletor no topo do depósito da solução. Para limpar o filtro coletor, consulte a secção com o título “Drenar e limpar o depósito da solução”.

### Limpeza do filtro de rede na junta do tubo

Quando guardar o nebulizador por tempo prolongado, limpe sempre o filtro de rede na junta do tubo. Para limpar o filtro coletor, consulte a secção com o título “Drenar e limpar o depósito da solução”.

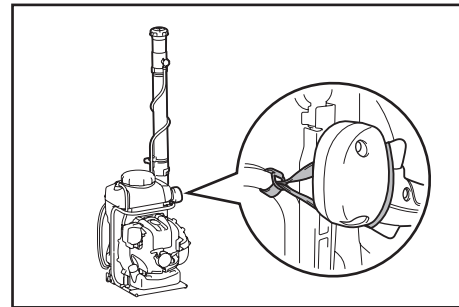
#### ⚠ PRECAUÇÃO:

- Quando for armazenar o nebulizador, certifique-se de que o motor está parado.

## Segurar o tubo reto com uma faixa de mão fornecida

Ao armazenar o nebulizador, segure o tubo reto com uma faixa de mão fornecida atada à estrutura.

Manter o tubo nesta posição facilita o transporte da unidade.



## Intervalo de manutenção

Item	Tempo de funcionamento		Antes do funcionamento	Após a lubrificação	Diariamente (10h)	30h	50h	200h	Encerramento/reposição	Página correspondente
Óleo do motor	Inspecione		○							168
	Substitua						○*1			178
Peças de aperto (parafuso, porca)	Inspecione		○							180
Filtro de rede do depósito de solução	Inspecione		○							177
	Limpe				○					177
Filtro de rede da junta do tubo	Inspecione		○							178
	Limpe				○					178
Depósito de combustível	Limpe/inspecione		○							—
	Drene o combustível								○*3	181
Acionador do acelerador	Verifique função			○						—
Alavanca de controlo de paragem	Verifique função			○						171
Ralenti	Inspecione/ajuste				○					171
Filtro de ar	Limpe				○					179
Ficha da ignição	Inspecione				○					179
Conduta de ar de arrefecimento	Limpe/inspecione				○					181
Tubo de combustível	Inspecione				○					180
	Substitua							◎*2		—
Filtro de combustível	Limpe/substitua						○			180
Folga entre a válvula de entrada de ar e a válvula de descarga de ar	Ajuste							◎*2		—
Tubo do óleo	Inspecione							◎*2		—
Inspecção do motor								◎*2		—
Carburador	Drene o combustível								○*3	181

\*1 Execute a substituição inicial após 20 horas de funcionamento.

\*2 Para a inspeção após 200 horas de funcionamento, contacte o Centro de assistência Técnica Autorizado ou uma oficina de máquinas.

\*3 Após esvaziar o depósito de combustível, deixe o motor em funcionamento e drene o combustível no carburador.

## RESOLUÇÃO DE PROBLEMAS

Antes de fazer um pedido de reparação, verifique primeiro o problema. Se encontrar uma anomalia, controle a máquina de acordo com a descrição neste manual. Nunca altere nem desmonte qualquer peça contrária à descrição. Para as reparações, contacte o Agente de Assistência Técnica autorizado ou o seu concessionário local.

Estado de anomalia	Causa provável (avaria)	Solução
O motor não arranca.	O interruptor I-O está regulado para "STOP".	Regule o interruptor I-O para ARRANQUE.
	Falha no funcionamento da bomba de escorva.	Empurre 7 a 10 vezes.
	Velocidade de tração baixa da corda de arranque.	Puxe com força.
	Falta de combustível.	Coloque combustível.
	Posição incorreta do afogador.	Regule para "FECHAR". Regule para "ABRIR".
	Filtro de combustível entupido.	Limpe.
	Tubo de combustível dobrado ou entupido.	Endireite ou substitua o tubo de combustível.
	Combustível deteriorado.	O combustível deteriorado torna o arranque mais difícil. Substitua por outro novo. (Substituição recomendada: 1 mês)
	Aspiração excessiva de combustível.	Mude a alavanca do acelerador da posição de velocidade média para alta velocidade, e puxe o manípulo de arranque até o motor começar a funcionar. Se ainda assim o motor não arrancar, retire a vela de ignição, seque o elétrodo e volte a montar pela ordem inversa. Depois, arranque o motor como especificado.
	Tampa da vela desencaixada.	Encaixe bem.
	Vela de ignição contaminada.	Limpe.
	Folga anómala da vela de ignição.	Ajuste a folga.
	Anomalia da vela de ignição.	Substitua.
	Carburador anómalo.	Peça uma inspeção e manutenção.
O motor para rapidamente. A velocidade do motor não aumenta.	Não é possível puxar a corda de arranque ou não há compressão.	Peça uma inspeção e manutenção.
	Sistema de acionamento/sistema elétrico anómalo. (Avaria do interruptor I-O, avaria dos cabos elétricos, avaria do conector, etc.).	Peça uma inspeção e manutenção.
	Aquecimento insuficiente.	Execute a operação de aquecimento.
	A alavanca do afogador está regulada para "FECHAR" apesar de o motor estar quente.	Regule para "ABRIR".
	Velocidade baixa do ralenti.	Regule a velocidade do ralenti.
	Filtro de combustível entupido.	Limpe.
	Filtro de ar contaminado ou obstruído.	Limpe.
	Carburador anómalo.	Peça uma inspeção e manutenção.
	Avaria do silenciador de escape (entupido, etc.)	Peça uma inspeção e manutenção.
Sistema de acionamento/elétrico anómalo.	Peça uma inspeção e manutenção.	
Fio de acelerador desencaixado.	Encaixe bem.	
O motor não para. ↓ Pôr o motor a trabalhar ao ralenti e colocar a alavanca do afogador em FECHAR.	Conector desencaixado.	Encaixe bem.
	Sistema elétrico anómalo.	Peça uma inspeção e manutenção.

Quando o motor não arranca após a operação de aquecimento:

Se não encontrar nenhuma anomalia nos itens de verificação, abra o acelerador cerca de 1/3 e arranque o motor.

Mange tak for valget af denne benzindrevne tågeblæser fra DOLMAR. Vi er glade for at kunne tilbyde Dem denne benzindrevne DOLMAR- tågeblæser, som er et resultat af et langt udviklingsprogram og mange års viden og erfaring.

Denne tågeblæser kombinerer fordelene ved state-of-the-art teknologi og ergonomisk design. De er handy og kompakte og repræsenterer professionelt udstyr til mange forskellige anvendelser.

**Vær venlig at læse, forstå og følge dette hæfte, som i detaljer refererer til de forskellige punkter, som vil demonstrere maskinens enestående ydelse. Dette vil hjælpe Dem med, på sikker vis, at opnå de bedst mulige resultater fra Deres DOLMAR-tågeblæser.**



**Indholdsfortegnelse**

	<b>Side</b>
Symboler .....	184
Vigtige sikkerhedsinstruktioner.....	185
Tekniske data.....	191
Delenes betegnelse.....	192
Instruktioner for samling .....	193
Inden motoren startes.....	194
Start og stop af motoren .....	196
Indstilling af tomgangshastigheden .....	197
Anvendelsesmetode.....	198
Inspektion og vedligeholdelse .....	204
Opbevaring.....	207
Fejlfinding .....	209

**SYMBOLER**

Det er meget vigtigt, at De forstår de følgende symboler, når De læser denne instruktionbog.

	ADVARSEL/FARE		Brug åndedrætsværn
	Læs, forstå og følg anvisningerne i instruktionsbogen		Varme overflader – forbrændinger af fingre og hænder
	Forbudt		Brændstof (benzin)
	Rygning forbudt		Motor-manual start
	Ingen åben ild		Nødstop
	Bær solide støvler med skridsikre såler.		Førstehjælp
	Bær passende beskyttelsestøj		TIL/START
	Der skal bruges beskyttelseshandsker		FRA/STOP
	Hold tilskuere væk, når der sprøjtes		Amputering af fingre eller hænder, vingehjulblad
	Hold arbejdsområdet fri for alle personer og kæledyr		Langt hår kan medføre ulykker, da det kan vikles ind i maskineriet
	Brug øjenbeskyttelse og høreværn		Giftige dampe og giftgasser. Må ikke bruges i et uventileret område.



## VIGTIGE SIKKERHEDSINSTRUKTIONER

### ⚠ ADVARSEL:

- Læs alle sikkerhedsforskrifterne og alle instruktionerne. Hvis advarslerne og instruktionerne ikke følges, kan resultatet blive elektriske stød, brand og/eller alvorlig tilskadekomst.

### Gem alle advarsler og instruktioner til fremtidig reference.

#### Generelle instruktioner

- For at sikre korrekt og sikker anvendelse skal brugeren læse, forstå og følge anvisningerne i denne instruktionsbog for derved at gøre sig bekendt med håndteringen af tågeblæseren (1). Brugere, som er utilstrækkeligt informeret, risikerer at udsætte sig selv og omkringstående for fare på grund af forkert håndtering.
- Det anbefales kun at udlåne tågeblæseren til personer, som har bevist, at de har erfaring med tågeblæsere.
- Lad altid instruktionsbogen følge med blæseren ved udlån.
- Førstegangsbrugere bør bede forhandleren om basale instruktioner med hensyn til at gøre sig bekendt med håndtering af en tågeblæser.
- Børn og unge mennesker under 18 år må ikke anvende tågeblæseren. Personer, som er over 16 år gamle, må imidlertid gerne bruge maskinen med det formål at blive trænet heri, men kun, hvis de er under direkte opsyn af en kvalificeret instruktør.
- Brug altid tågeblæsere med den største omhu og opmærksomhed.
- Brug kun tågeblæseren, hvis De er i god fysisk form.
- Udfør alt arbejde samvittighedsfuldt og omhyggeligt. Brugeren må påtage sig ansvaret for andre.
- Brug aldrig tågeblæseren under indflydelse af alkohol eller medicin (2).
- Brug ikke blæseren, hvis De er træt.
- Gem disse instruktioner til fremtidig reference.

#### Beregnet brug af maskinen

- Brug den rigtige maskine. Tågeblæseren er kun beregnet til at sprøjte flydende kemikalier og andre væsker med det formål at udrydde skadedyr og ukrudt i frugt, blomster og køkkenhaver, på træer, buske og andre planter, som f.eks. kaffe, tobak og bomuld. Den er også nyttig til vedligeholdelse af unge træer, f.eks. til udryddelse af barkbiller og andre skadedyr samt plantesygdomme. Brug aldrig tågeblæseren til andre formål.
- Brug kun plantebeskyttelsesprodukter, som er specielt godkendt til brug med tågeblæsere af deres fabrikanter, og som overholder alle sikkerhedsregulativer, standarder og bestemmelser i henseende til anvendelsen.

Få information fra forhandleren om, hvordan Deres tågeblæser skal anvendes. Overhold alle gældende, lokale sikkerhedsforskrifter, standarder og bestemmelser.

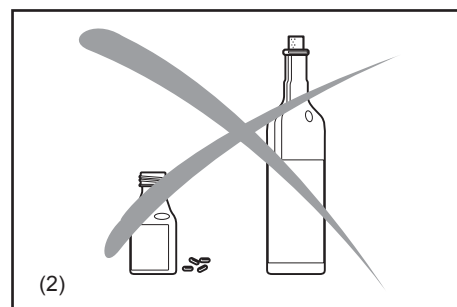
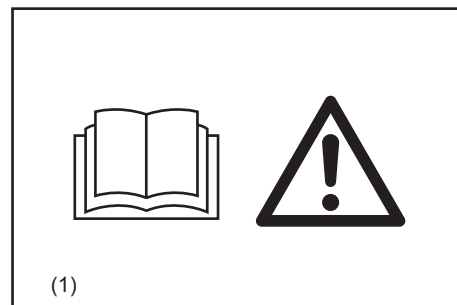
Alle operatører og serviceringspersoner bør være uddannede og bekendt med de korrekte håndteringsprocedurer af de anvendte kemiske produkter, tillige med førstehjælp-/nødhjælpshandling, samt reglerne for bortskaffelse af flydene kemiske stoffer.

### ⚠ ADVARSEL:

- Deres tågeblæser er kun til professionel brug. Undlad at udlåne eller udleje Deres tågeblæser, uden at instruktionsbogen følger med. Vær sikker på, at enhver person, der bruger den, forstår den information, der findes i instruktionsbogen.

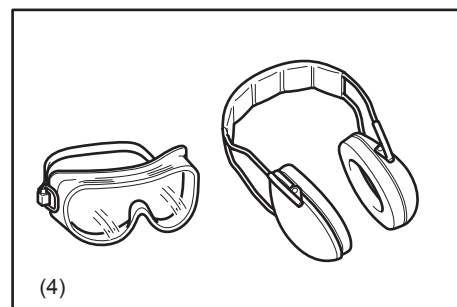
#### Personligt beskyttelsesudstyr

- For at undgå risikoen for at komme til skade under brugen af kemiske produkter, skal De bære passende beskyttelsestøj, når De fylder, bruger og renses tågeblæseren. Følg altid den kemikaliefabrikantens instruktioner med hensyn til korrekt øjen-, hud- og åndedrætsbeskyttelse. Disse kan afvige fra og overstige de følgende forholdsregler.
- Når der anvendes giftige kemikalier, kan operatøren og omkringstående personer være nødt til at bruge en korrekt tilpasset respirator, som er godkendt til brug med de anvendte kemikalier. Se etiketten til det kemiske produkt. Indånding af giftige kemikalier kan medføre alvorlig eller dødelig tilskadekomst.
- Det anvendte tøj skal være funktionelt og velegnet, dvs. tætsiddende, men ikke hindrende. Bær ikke smykker, tøj eller langt hår, som kan trækkes ind i luftindtaget. (3)
- For at undgå hoved-, øjen-, hånd- eller fodskader, såvel som med det formål at beskytte Deres hørelse, skal De bære det følgende beskyttelsesudstyr og beskyttende tøj, når tågeblæseren anvendes.



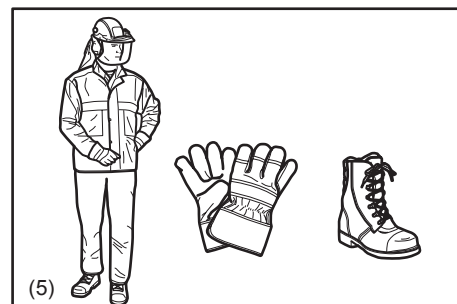
## Vær særlig opmærksom på følgende forskrifter

- Tøjet skal være kraftigt og tætsiddende, men samtidigt tillade fuld bevægelsesfrihed. Undgå løsthængende jakker, bukser med for stor vide eller opslag, tørklæder, utæmmet langt hår eller noget, der kan blive trukket ind i luftindtaget. Bær lange bukser for at beskytte benene. Bær ikke korte bukser. (5)
- Støj fra tågeblæseren kan skade Deres hørelse. Brug lydafsærmning (ørepropper eller høreværn) for at beskytte Deres hørelse. Kontinuerlige og regelmæssige brugere bør få deres hørelse undersøgt med jævne mellemrum. (4)
- Brug altid gummi-/kemikalieresistente handsker, når De arbejder med tågeblæseren. Et solidt fodfæste er meget vigtigt. Bær gummi-/kemiske støvler. (5)
- Korrekt øjenbeskyttelse er nødvendig. Skønt udledningen er rettet bort fra operatøren, kan der forekomme ricochetteringer og tilbageafledninger under anvendelse af tågeblæseren. (4)
- Brug aldrig en tågeblæser, medmindre De bærer beskyttelsesbriller eller korrekt tilpassede sikkerhedsbriller med tilstrækkelig top- og sidebeskyttelse, som er i overensstemmelse med ANSI Z 87.1 (eller den gældende standard i Deres land).



## HÅNDBETING AF KEMIKALIER

- Nogle kemikalier, der bruges med Deres tågeblæser, kan indeholde giftige og/eller ætsende substanser. Sådanne kemikalier kan være farlige og være årsag til alvorlig eller dødelig tilskadecomst af personer og dyr og/eller alvorlig skade på planter og miljøet. Undgå direkte kontakt med kemikalier. Følg kemikaliefabrikantens instruktioner med hensyn til enhver kontakt med dennes produkt.
- Læs fabrikantens etikette og instruktionsbog hver gang, inden De blander eller bruger kemikalierne, og inden De opbevarer eller bortskaffer det. Stol ikke på Deres hukommelse. Skødesløs eller forkert brug kan forårsage alvorlig eller dødelig tilskadecomst.
- Læs etiketterne på kemikaliebeholdere grundigt inden brug. Kemikalier klassificeres i kategorier efter deres giftighed. Hver kategori har en speciel håndteringskarakteristik. Gør Dem bekendt med karakteristikken af den kemikaliekategori, De bruger. Kemikalier må kun anvendes af personer, som er uddannet i at håndtere dem og i passende førstehjælpstiltag.
- Kemikalier kan være skadelige for personer, dyr og miljøet, hvis de ikke anvendes korrekt. Derudover er det ikke tilrådeligt at bruge visse kemikalier, som er ætsende, korrosive eller giftige, i Deres tågeblæser.
- Bland kun compatible pesticider. Forkerte blandinger kan resultere i giftige dampe. Ved håndtering og sprøjtning af kemikalier, skal De sørge for, at De arbejder i overensstemmelse med lokale, statslige og føderale miljøbeskyttelsesregler og retningslinier. Sprøjt ikke, når det blæser. For at bidrage til at beskytte miljøet, bør man kun bruge den anbefalede mængde – undgå overforbrug. Vær specielt opmærksom ved anvendelse nær vandskel, sejløb etc.
- Undgå at åbne munden, som f.eks. spise, drikke eller ryge, mens De håndterer kemikalier, eller mens De sprøjter. Blæs andrig gennem mundstykker, slanger, rør eller lignende med munden. Håndter altid kemikalier på et velventileret sted, idet De bærer passende, beskyttende tøj og sikkerhedsudstyr. Undlad at opbevare eller transportere kemikalier sammen med fødevarer, drikkevarer eller medicin, og genbrug aldrig en kemikaliebeholder til andre formål. Overfør ikke flydende kemikalier til andre beholdere, specielt ikke til fødevarer- og/eller drikkevarerbeholdere.
- I tilfælde af uforvarende kontakt med eller indtagelse af kemikalier eller i tilfælde af forurening af tøjet skal De stoppe arbejdet og straks konsultere kemikaliefabrikantens instruktioner. Hvis De er i tvivl om, hvad De skal gøre, skal De med det samme bede et giftkontrolcenter eller en læge om råd. Hold produktets etikette i beredskab, så den kan læses for eller vises til den person, De konsulterer. Fjern alle spildte kemikalier med det samme. Bortskaf alle reststoffer i henhold til statslige, føderale eller Deres lands love og regulativer.
- Hold kemikalier uden for børns rækkevidde og andre uautoriserede personer og dyr. Når de ikke bruges, skal kemikalier opbevares på et sikkert og aflåst sted. Følg fabrikantens anbefalinger for rigtig opbevaring.



## Forberedelse af kemikalier

- Forbered kemikalieopløsninger i henhold til kemikaliefabrikantens instruktioner.
- Forbered kun en opløsning, der passer til det aktuelle job, så ingen opløsning bliver til overs.
- Bland kun kemikalier i henhold til følgende instruktioner – forkerte blandinger kan frembringe giftige dampe eller eksplosive blandinger.
- Sprøjt aldrig med ufortyndede kemikalier.
- Forbered opløsningen, og fyld den på beholderen udendørs på et velventileret sted.
- Operatøren bør tydeliggøre navnet på det aktuelt anvendte kemikalie.

## Opbevaring

- Opbevar ikke sprøjteopløsning i en beholder i mere end en enkelt dag.
- Sprøjteopløsning skal altid opbevares og transporteres i godkendte beholdere.
- Sprøjteopløsninger må aldrig opbevares eller transporteres i beholdere, som er beregnet til fødevarer, drikkevarer eller dyrefoder.
- Undlad at opbevare eller transportere sprøjteopløsning med fødevarer, drikkevarer eller dyrefoder.
- Hold sprøjteopløsning uden for børns og andre uautoriserede personers og dyrs rækkevidde.
- Opbevar sprøjteopløsning på et aflåst sted, hvor det er sikret mod uautoriseret anvendelse.

## Bortskafning

Bortskaf aldrig restkemikalier eller forurenede renseopløsninger i vandsekel, afløb, kloakker, gaderendestene, nedgangsbrønde og lignende.

Når forurenede rensesubstanser bortskaffes, skal De overholde alle gældende love, regulativer og bestemmelser.

Overhold nøje kemikaliefabrikantens forsigtighedsanvisninger.

## Fyldning af beholder

- Stram alle tilslutninger og kontroller, at rørene såvel som en slange er sikkert monteret og i god stand. Hold opløsningsudløbsarmen lukket.
- Inden tågeblæseren bruges med kemikalier, skal den fyldes med frisk vand for at sikre, at De har samlet den ordentligt, og udfør derefter sprøjtning. Kontroller også på dette tidspunkt, at der ikke er nogen lækager. Følg, når De er helt bekendt med anvendelsen af tågesprøjten, de normale betjeningsprocedurer.
- Fyld tågesprøjten op i et velventileret udendørs område.
- Brug ikke:
  - noget antændeligt i tågeblæseren, som kan medføre eksplosion resulterende i alvorlig eller dødelig tilskadekomst.
  - ætsende eller korrosive materialer i tågeblæseren, som kan resultere i beskadigelse af maskinen,
  - væsker med en højere temperatur end 50°C for at reducere risikoen for skoldning og beskadigelse af maskinen.

For at fylde opløsningstanken skal man anbringe tågeblæseren på en plan flade og påfylde opløsningen i god belysning og sigtbarhed. For at reducere risikoen for forurening af det omgivende miljø skal man være påpasselig med ikke at overfylde opløsningstanken med kemisk opløsning.

For at reducere risikoen for tilskadekomst, må De ikke fylde opløsningstanken, mens De bærer den på ryggen.

Hvis De fylder opløsningstanken med en slange tilsluttet en central vandforsyning, skal De sørge for, at enden af slangen er ude af opløsningen, således at risikoen for tilbagestrømning, dvs. at kemikalierne suges ind i vandforsyningen, hvis der opstår et pludseligt tomrum, reduceres.

Beregn den nøjagtige mængde kemisk opløsning, således at den bruges op på en og samme gang, uden at der efterlades nogen opløsning i tanken.

Efter påfyldning skal man sætte opløsningstankens hætte på og skrue den godt til.

- Kontroller, om der er lækager under påfyldning og under anvendelsen. En læk fra opløsningstanken eller en løs fitting kan gennembløde Deres tøj og komme i kontakt med Deres hud.

## Start af tågeblæseren

- Kontroller, at der ikke er børn eller andre personer inden for et arbejdsområde på 20 m (6), og vær ligeledes opmærksom på dyr, som måtte befinde sig i arbejdsområdet.

Brug aldrig tågeblæseren i bymæssige områder.

- Kontroller altid, inden arbejdet påbegyndes, at det er sikkert at anvende tågeblæseren:

Kontroller sikkerheden af gasspældstriggeren. Det skal kontrolleres, at gasspældstriggeren bevæger sig nemt og problemfrit. Kontroller, at gasspældstriggerlåsen fungerer ordentligt.

Kontroller, at håndtagene er rene og tørre, og test funktionen af I-O knappen. Hold håndtagene fri for olie og brændstof.

- For at reducere risikoen for lækage og hudkontakt med kemikalier skal man kontrollere, at beholderens hætte og alle tilslutninger i sprøjtebanen er stramme, og desuden sørge for, at slangen er ordentligt tilsluttet og i god stand. Hold opløsningsudløbsarmen lukket.
- Kontroller, at opløsningsudløbsarmen er lukket, inden De starter maskinen.
- Kontroller, at tændrørshætten er forsvarligt monteret på tændrøret – en løs tændrørshætte kan medføre lysbuer, hvilket kan antænde brændbare dampe og forårsage brand.
- Kontroller tilstanden af bæreselerremmene, og skift beskadigede eller slidte remme ud.
- Indstil skulderremmen, så den passer til Deres størrelse, inden arbejdet påbegyndes.

I et nødstilfælde kan De hurtigt smutte ud af skulderremmen og kaste maskinen fra Dem. Øv Dem nogle gange i at smutte ud af bæreselen, inden De bruger maskinen, så De vænner Dem til det. Kast ikke maskinen fra Dem, mens De øver Dem, da maskinen herved kan lide skade.

- Når De trækker i starterhåndtaget, må De ikke vikle starterrebet omkring hånden. Lad ikke starterhåndtaget slynges tilbage, men før starterrebet, så det spoles korrekt op.

Forsømmelse af at følge denne fremgangsmåde kan resultere i, at De kommer til skade med fingrene og hånden, og kan beskadige startermekanismen.

- Det kan være nødvendigt med hjælp fra en anden person til at anbringe tågeblæseren på ryggen, efter at den er startet. For at reducere risikoen for at assistenten kommer til skade på grund af flyvende genstande, kemisk spray/væske eller på grund af kontakt med varme dampe, skal De holde motoren i tomgang i dette korte tidsrum og ikke lade Deres assistent stå i området af udlædningsmundstykket eller udstødningen. Ellers bør tågeblæseren startes og anvendes uden assistance.

- Start kun tågeblæseren i overensstemmelse med instruktionerne.
- Brug ikke andre metoder til at starte motoren (7)!
- Brug kun tågeblæseren og det medfølgende tilbehør til den specificerede anvendelse.
- Start kun tågeblæseren, efter at hele maskinen er blevet samlet. Brug af maskinen er kun tilladt, efter at alle de rigtige tilbehørsdele er påmonteret.
- Der skal straks slukkes for maskinen, hvis der er nogen motorproblemer.
- Brug tågeblæseren til enhåndsoperation med højre hånd på kontrolhåndtaget. Bær den som en rygsæk med skulderremmene over begge skuldre.

For at reducere risikoen for, at De mister herredømmet over maskinen, må De aldrig bære tågeblæseren med remmen (remmene) over kun den ene skulder.

- Når De arbejder med tågeblæseren, skal De altid holde godt fast i håndtaget med fingrene omkring det, så kontrolhåndtaget hviler mellem tommel- og pegefinger. Hold hånden i denne stilling, så maskinen til enhver tid er under kontrol. Sørg for, at kontrolhåndtaget er i god stand og fri for fugt, beg, olie eller fedt.

- Sørg altid for et sikkert og velafbalanceret fodfæste.
- For at holde opløsningstanken opret og reducere risikoen for at spille må man ikke bøje sig ved lænden. Bøj Dem kun i knæene, og støt Dem som påkrævet for at sikre en god balance.

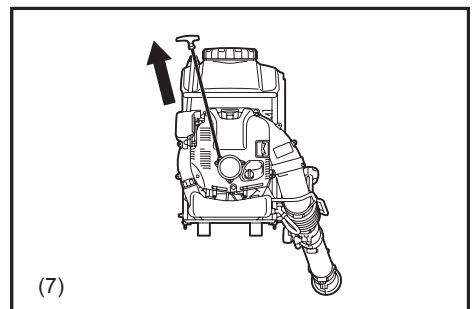
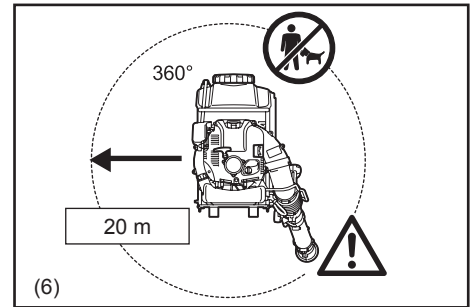
Husk at en tågeblæser, som er fyldt med væske, har en betydelig vægt.

Udvis ekstra forsigtighed, når De bøjer Dem, læner Dem fremad eller går.

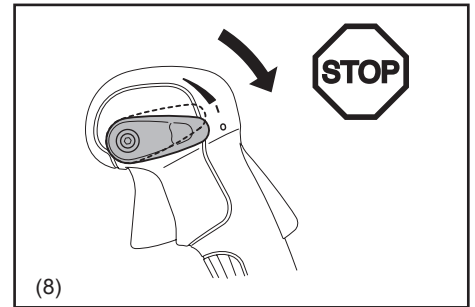
- Brug tågesprøjten på en sådan måde, at indånding af udstøds-gasserne undgås. Kø aldrig motoren i lukkede rum (risiko for kvælning og gasforgiftning). Kulilte er en luftfri gas.

Sørg altid for tilstrækkelig ventilation.

- Deres tågeblæser er ikke isoleret mod elektrisk stød. For at reducere risikoen for dødbringende elektriske stød må man aldrig anvende denne tågeblæser i nærheden af ledninger eller kabler (strøm etc.), som kan være strømførende. Undgå at sprøjte på eller nær elektriske installationer.

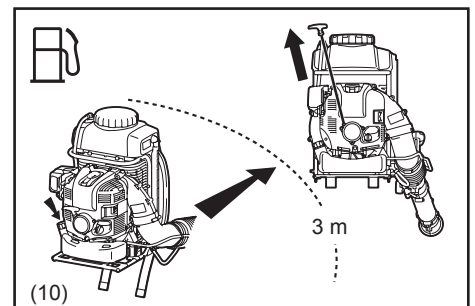
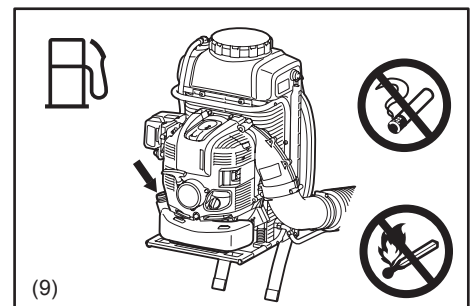


- Sluk for motoren, hvis De holder en pause eller efterlader tågeblæseren uovervåget. Anbring blæseren på et sikkert sted for ikke at udsætte andre for fare, antænde brændbare materialer eller øve skade på maskinen (8).
- Læg aldrig en varm tågeblæser oven på tørt græs eller brændbare materialer.
- Anbring ikke tågeblæseren på jorden, når den bruges med stor hastighed, fordi små genstande såsom sand, græs, støv etc. kan blive trukket ind i luftindtaget og beskadige ventilatorhjulet.
- Under pauser i arbejdet må man ikke efterlade tågeblæseren direkte i den varme sol eller nær andre varmekilder.
- Alle beskyttelsesdelene og skærmene, som følger med maskinen, skal bruges under arbejdet.
- Brug aldrig maskinen med en defekt udstødslydpotte.
- Stik ikke en hånd ind i udstødsåbningen. Lydpotten bliver meget varm under arbejdet og kan være årsag til forbrændinger.
- Rør ikke i længere tid ved motorsdækslet. Det kan blive varmt under arbejdet og kan være årsag til forbrændinger.
- Sluk for motoren under transport (8).
- Anbring tågeblæseren sikkert, når den transporteres med bil eller lastbil, for at undgå lækage af brændstof.
- Sørg for, inden tågeblæseren transporteres, at brændstoftanken og væske/kemikalie-tanken er helt tomme.



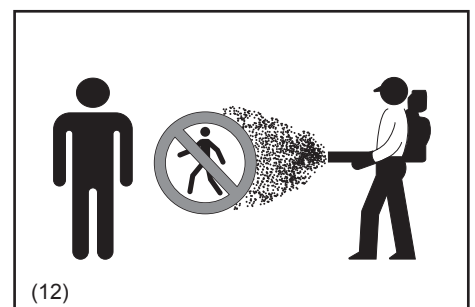
### Påfyldning af brændstof

- Sluk for motoren (8) under påfyldning, hold en god afstand fra åben ild (9), og lad være med at ryge.
- Undgå hudkontakt med petroleumsprodukter. Indånd ikke brændstofdamp. Bær altid beskyttelseshandsker under brændstofpåfyldning. Skift og rens det beskyttende tøj med jævne mellemrum.
- Vær påpasselig med ikke at spilde hverken brændstof eller olie, så jorden ikke forurenes (miljøbeskyttelse). Rengør straks tågeblæseren, hvis der er spildt olie. Lad vådt tøj tørre, inden De anbringer det i en korrekt lukket beholder for at forhindre, at det spontant bryder i brand.
- Undgå al brændstofkontakt med Deres tøj. Skift øjeblikkeligt tøj, hvis der er spildt brændstof på det (brandfare).
- Inspicér brændstoftankhætten med jævne mellemrum, så De sikrer Dem, at den sidder godt fast.
- Stram omhyggeligt brændstoftankens låseskrue. Skift sted for start af motoren (mindst 3 m fra det sted, hvor brændstofpåfyldning udførtes) (10).
- Foretag aldrig brændstofpåfyldning i lukkede rum. Brændstofdampe akkumuleres i jordniveau (risiko for eksplosioner).
- Brændstof må kun transporteres og opbevares i godkendte beholdere. Sørg for, at børn ikke har adgang til oplagret brændstof.
- Forsøg ikke at fylde brændstof på en varm eller kørende motor.



### Anvendelsesmetode

- Brug kun tågeblæseren i godt lys, og hvor sigtbarheden er god. Vær i kolde årstider på vagt over for glatte eller våde områder samt is og sne (risiko for at glide). Sørg altid for et sikkert fodfæste (11).
- Arbejd aldrig på ustabile overflader eller i stejlt tærræn (11).
- Hvis De ikke er bekendt med den risiko, der er knyttet til et bestemt kemikalie, som De anvender, skal De igen læse produktetiketten og/eller arket med materialets sikkerhedsdata for den substans og/eller konsultere materialefabrikanten/leverandøren. De kan også bede Deres arbejdsgiver, regeringsorganer og andre kilder om information om farlige materialer. Visse andre autoriteter, har offentliggjort lister med substanser, som vides at forårsage kræft, nedsat fertilitet etc. (11).
- For at reducere risikoen for personskade må man ikke rette luftstrømmen mod omkringstående, da luftstrømmens høje tryk kan skade øjnene og blæse små genstande med stor hastighed (12).
- Sprøjt aldrig i retning af personer, dyr eller ejendom, som kan komme til skade eller blive beskadiget ved sprøjtning (12).
- Stik aldrig fremmedlegemer ind i luftindtaget på maskinen eller ind i tågeblæserens mundstykke. Dette vil beskadige ventilatorhjulet og kan medføre, at operatøren eller omkringstående kommer alvorligt til skade som et resultat af, at genstanden eller en afbrækket del slynges ud med stor hastighed.
- Vær opmærksom på vindretningen, dvs. arbejd ikke i modvind.
- For at reducere risikoen for at snuble og miste herredømmet over maskinen må man ikke gå baglæns, når man bruger maskinen.
- Sluk altid for motoren, inden De rengør eller servicerer maskinen eller dens udskiftningsdele.
- Hold en pause, så De ikke mister herredømmet over maskinen på grund af træthed. Vi anbefaler, at De holder en pause på 10 til 20 minutter hver time.

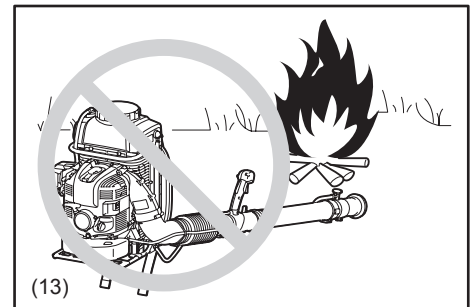


## Når arbejdet er færdigt

- Vask Dem altid grundigt med sæbe og vand efter sprøjtning eller håndtering af kemikalier. Tag straks et styrtebad, og vask alt beskyttende tøj separat fra andre ting.  
Følg alle yderligere anbefalinger fra kemikaliefabrikanten.  
Fjern altid støv og snavs fra tågeblæseren.
- Tøm, skyl og rengør tank og samling efter hver brug. Dette bidrager til at forhindre opløsningen i at udkrystallisere sig, hvilket senere kan medføre tilstopning og kemisk skade på maskinen. Derudover kan restkemikalier have uønskede virkninger under efterfølgende sprøjtning med en anden kemikalietype (f.eks. at rest-herbicider kan beskadige eller dræbe planter, som sprøjtes med en pesticid). Opbevar ikke tågeblæseren med sprøjteopløsning i opløsningstanken.
- Hold børn, uvedkommende og kæledyr væk fra områder, der lige er blevet sprøjtet. Efter brug af visse pesticider, specielt landbrugspesticider, skal et opslag anbringes i det behandlede område, om at "Ingen adgang interval" (REI) er i effekt.  
Se det kemiske produkts etikette og de gældende regeringsregulativer.

## Instruktioner for vedligeholdelse

- Udfør rengøring og vedligeholdelse inden opbevaring.
- Tag hensyn til miljøet. Brug tågeblæseren med så lidt støv og forurening som muligt. Kontroller specielt, at karburatoren er korrekt justeret.
- Rengør tågeblæseren med jævne mellemrum, og kontroller, at skruer og møtrikker er godt strammet.
- Man må aldrig servicere eller opbevare tågeblæseren i nærheden af åben ild, gnister etc. (13).
- Opbevar altid tågeblæseren i et velventileret, aflåst rum og med en tømt brændstoftank og en tømt opløsningstank.



**lagttag og følg alle relevante instruktioner om forebyggelse af ulykker, som er udstedt af handelsforeninger og forsikringselskaber. Foretag ikke nogen ændringer af tågeblæseren, da dette vil udgøre en sikkerhedsrisiko.**

Udførelse af vedligeholdelses- eller reparationsarbejde af brugeren er begrænset til de aktiviteter, som er beskrevet i denne instruktionsbog. Alt andet arbejde skal udføres af autoriserede serviceagenter.

Brug kun ægte reservedele og tilbehør, som er fremstillet af DOLMAR.

Brug af tilbehør og maskiner, som ikke er godkendt, betyder øget risiko for ulykker og tilskadekomst. DOLMAR påtager sig intet ansvar for ulykker eller beskadigelse, som er forårsaget af anvendelse af tilbehør og ekstraudstyr, som ikke er godkendt.

## Førstehjælp

Sørg for, at en velforsynet førstehjælpskasse findes i nærheden af arbejdsstedet, hvis der skulle ske en ulykke. Erstat straks enhver ting, som er fjernet fra førstehjælpskassen.

Giv følgende information, når De beder om hjælp:

- Ulykkessted
- Hvad der er sket
- Antal tilskadedkomne personer
- Beskaffenheden af tilskadekomsten
- Deres navn



## Emballage

DOLMAR tågeblæseren leveres i en beskyttende papkasse for at forhindre beskadigelse under forsendelsen. Pap er et basalt råmateriale og kan følgelig derfor genbruges eller er egnet til genanvendelse (genanvendelse af affaldspapir).

## GEM DISSE INSTRUKTIONER.

### ⚠ ADVARSEL:

- LAD IKKE bekvemmelighed eller kendskab til produktet (opnået gennem gentagen brug) erstatte nøje overholdelse af sikkerhedsreglerne for det pågældende produkt. MISBRUG eller forsømmelse af at følge sikkerhedsreglerne i denne instruktionsbog kan medføre alvorlig tilskadekomst.

Gælder kun lande i Europa

## EU-konformitetserklæring

Makita erklærer hermed, at den følgende maskine(r):

Maskinens type: Benzindrevet tågeblæser

Modelnr./Type: SP-7650.4 R

Specifikationer: se oversigten "TEKNISKE DATA"

Overholder de følgende europæiske direktiver:

2006/42/EU, 2000/14/EU

De er fremstillet i overensstemmelse med de følgende standarder og standardiserede dokumenter:

EN ISO 28139, ISO 10988

Den tekniske fil, som er i overensstemmelse med 2006/42/EU, kan fås fra:

Makita, Jan-Baptist Vinkstraat 2, 3070, Belgien

Proceduren for konformitetsfastsættelse, som kræves i Direktiv 2000/14/EU, er i overensstemmelse med tillæg V.

Målt lydbelastningsniveau: 110,1 dB

Garanteret lydbelastningsniveau: 111 dB

8.7.2014



Yasushi Fukaya

Direktør

Makita, Jan-Baptist Vinkstraat 2, 3070, Belgien

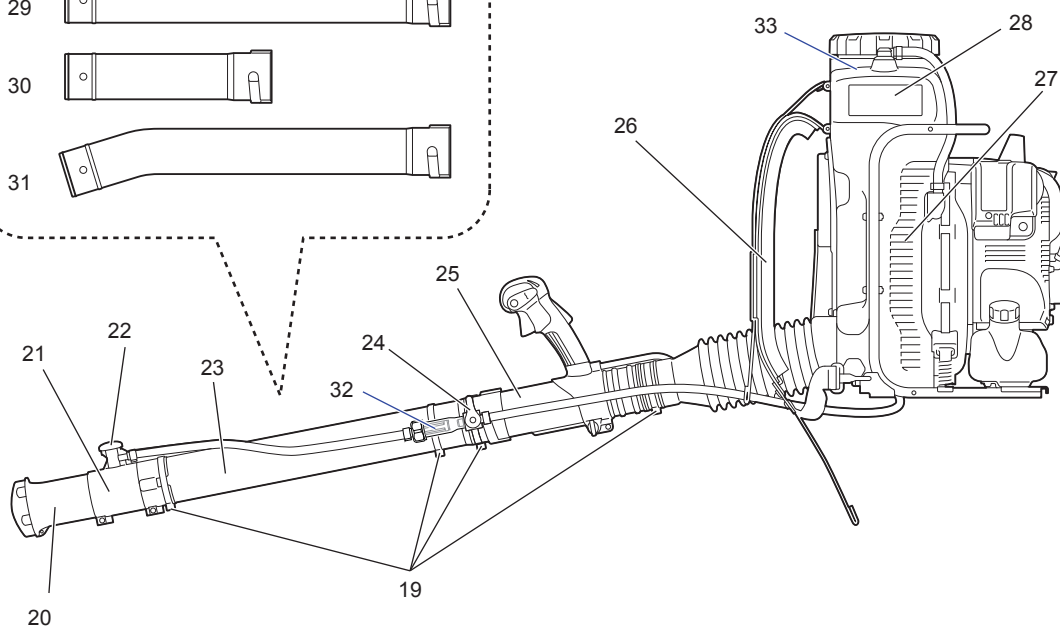
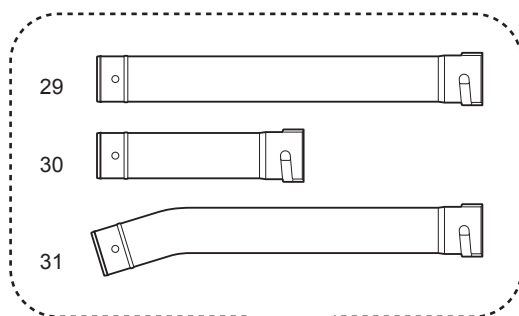
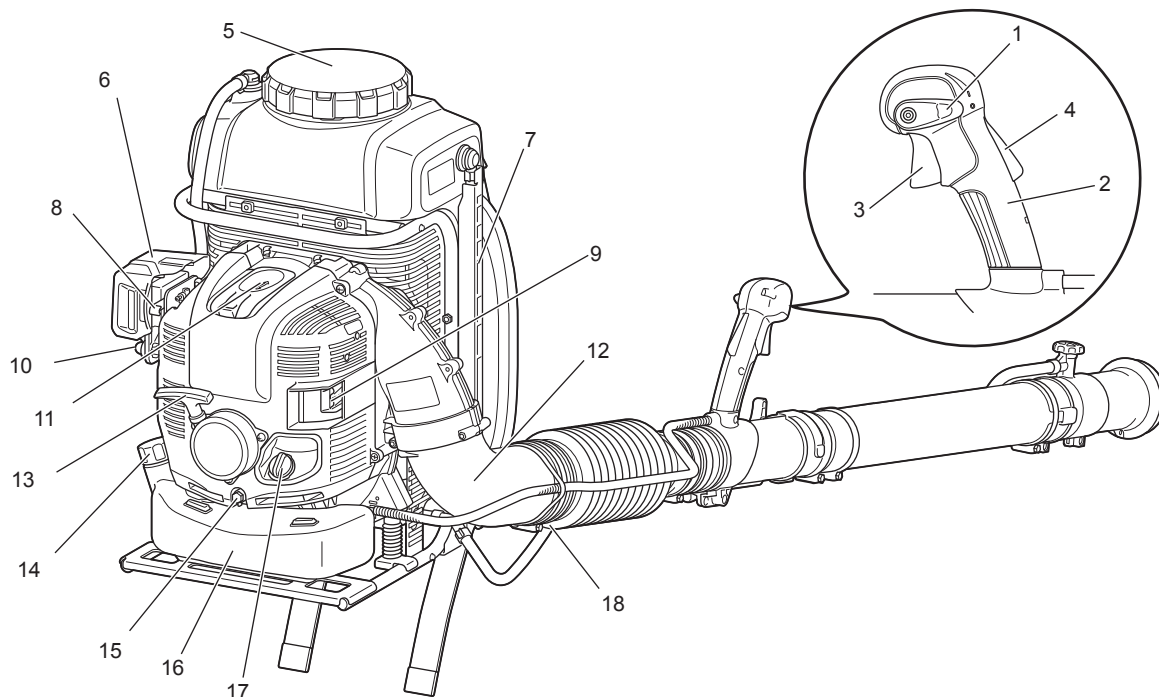
## TEKNISKE DATA

Model		SP-7650.4 R	
Vægt (med fuld olie- og kemikalietank samt 220 ml motorolie)	(kg)	30,4	
Vægt (tørvægt)	(kg)	14,1	
Mål (uden blæserrør, L x B x H)	(mm)	420 x 440 x 595	
Motortype		Luftafkølet, 4-takts, enkelt cylinder	
Maks. motorydelse	(kW)	2,7	
Maks. motorhastighed	(min <sup>-1</sup> )	7 400	
Tomgangshastighed	(min <sup>-1</sup> )	2 800	
Motor slagvolumen	(cm <sup>3</sup> )	75,6	
Brændstof		Automobilbenzin	
Brændstoftanks kapacitet	(L)	1,8	
Motorolie		API kvalitet SF klasse eller højere, SAE 10W-30 olie (automobil 4-takts motorolie)	
Motorolievolumen	(L)	0,22	
Karburator (membran-karburator)		WALBRO WYK	
Tændingsrør		NGK CMR6A	
Elektrodeafstand	(mm)	0,7 – 0,8	
Kapacitet af opløsningstank	(L)	15,0	
Sprøjteområde (vandret/lodret)	(m)	16 / 13	
Maks. lufthastighed	(m/s)	85	
Luftstrømningshastighed	(m <sup>3</sup> /min)	14,1	
Vibration pr. ISO 22867	a <sub>nv eq</sub>	(m/s <sup>2</sup> )	2,7
	Usikkerhed K	(m/s <sup>2</sup> )	0,8
Lydtryksniveau gennemsnit ISO 22868	L <sub>FA eq</sub>	dB (A)	95,4
	Usikkerhed K	dB (A)	2,9
Lydtryksniveau gennemsnit ISO 22868	L <sub>WA eq</sub>	dB (A)	110,1
	Usikkerhed K	dB (A)	1,3

Bemærk:

1. Brug den olie og det tændingsrør, som er specificeret i oversigten.
2. Specifikationerne kan ændres uden forudgående varsel.
3. Brug den plane linie 10 L som retningslinje for nettovægt 25 kg for tågeblæseren, inklusive opløsningen.
4. Vibrationer og støjniveau måles ved brug af det lige rør (langt).

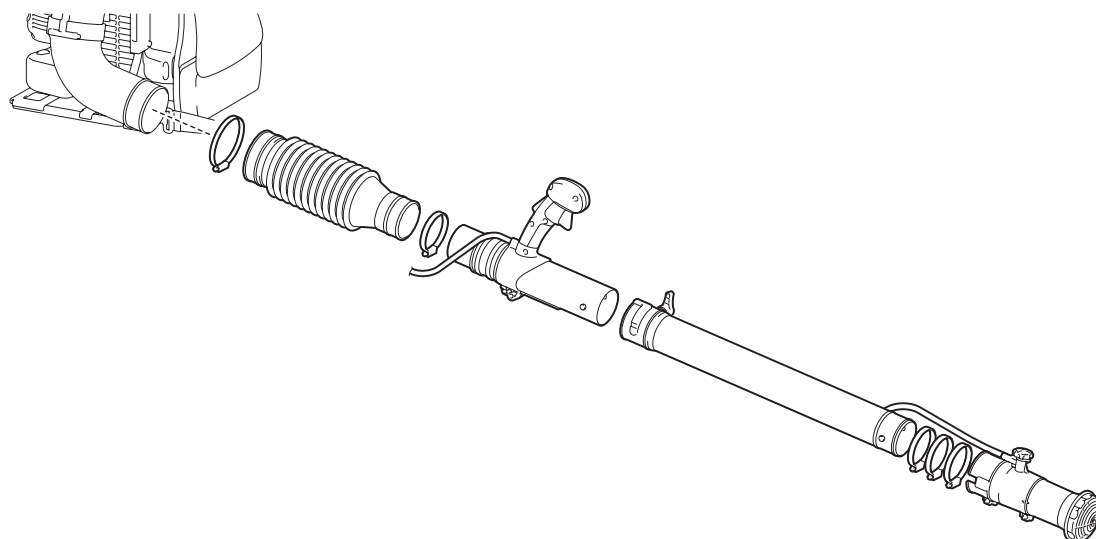
## DELENES BETEGNELSE



1. Stopkontrolarm	12. Knæsamling	23. Lige rør
2. Kontrolhåndtag	13. Starterhåndtag	24. Opløsningsudledningsarm
3. Gasspjældstrigger	14. Brændstoftankhætte	25. Svingrør
4. Låsearm	15. Olieidrænbolt	26. Skulderrem
5. Opløsningstankhætte	16. Brændstoftank	27. Luftindtagsnet
6. Luftfilterdæksel	17. Oliehætte	28. Opløsningstank
7. Slange til kontrol af opløsningsniveau	18. Slangebånd (diameter 100 mm)	29. Lige rør (langt) (ekstraudstyr)
8. Chokerarm	19. Slangebånd (diameter 76 mm)	30. Lige rør (kort) (ekstraudstyr)
9. Lydpotte	20. Topmundstykke	31. Bøjet rør (ekstraudstyr)
10. Spædepumpe	21. Andet mundstykke	32. Rørsammenføjnings sikurv
11. Rørdæksel	22. Knappen til væskeindstilling	33. Opløsningstanks sikurv (i opløsningstank)



# INSTRUKTIONER FOR SAMLING



## Samling af tågeblæserens rør

### ⚠ FORSIGTIG:

- Inden der udføres noget arbejde på tågeblæseren, skal man altid stoppe motoren og trække tændrørskontakterne ud af tændrøret.
- Bær altid beskyttelseshandsker!
- Start ikke tågeblæseren, før den er helt samlet.
- Sørg for, at slangebåndene er stramme efter samlingen.

### BEMÆRK:

- Lad båndets bolthoveder komme på ydersiden, når De strammer dem som illustreret.

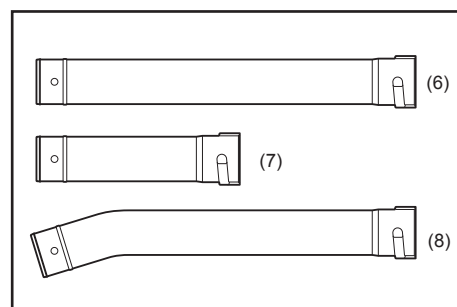
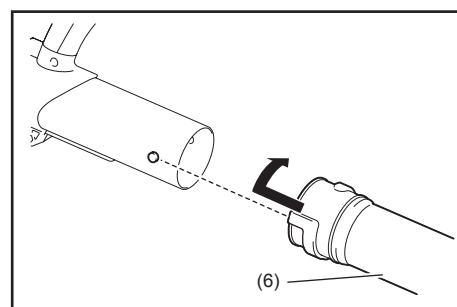
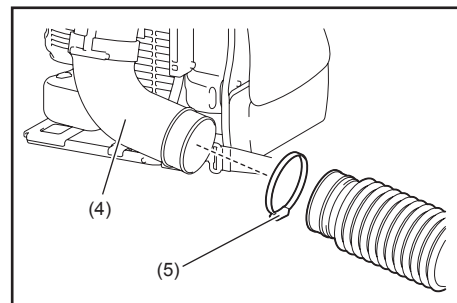
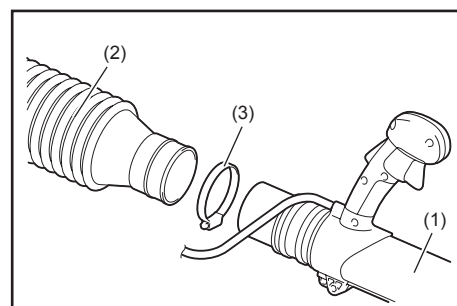
1. Sæt svingslæderøret (1) på det fleksible rør (2).  
Stram dem med båndet med en diameter på 76 mm (3).
2. Sæt det fleksible rør på knæsamlingen (4) på tågeblæseren.  
Stram dem med båndet med en diameter på 100 mm (5).

3. Sæt det lige rør (6) på svingslæderøret (1).  
Sæt rillen på det lige rør ud for fremspringet på svingslæderøret, og drej det lige rør, indtil det klikker, og stram dem derefter med båndet med en diameter på 76 mm (3).

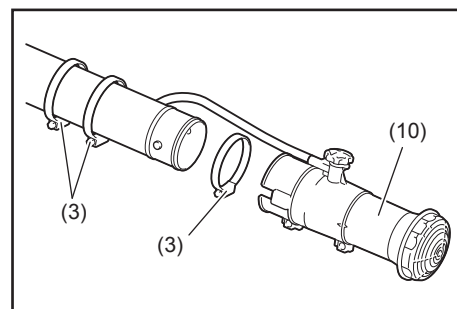
### BEMÆRK:

- Det herover nævnte lige rør betyder de følgende tre rør og kan erstattes i overensstemmelse med Deres arbejdsbehov.
  - Lige rør (langt) (6)
  - Lige rør (kort) (7)
  - Bøjet toprør (8)

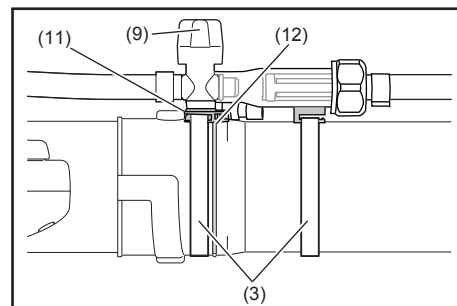
Kun et eller en kombination af ovennævnte rør leveres som standardudstyr med Deres tågeblæser, som kan være forskellig fra land til land.  
De resterende rørtyper skal muligvis anskaffes som ekstraudstyr.



4. Sæt to bånd med en diameter på 76 mm (3) løst på røret (disse bånd anvendes til at stramme opløsningsudledningsarmen og rørsammenføjningen senere).  
Sæt det andet mundstykke (10) på det lige rør.  
Stram dem med et andet bånd på 76 mm (3).



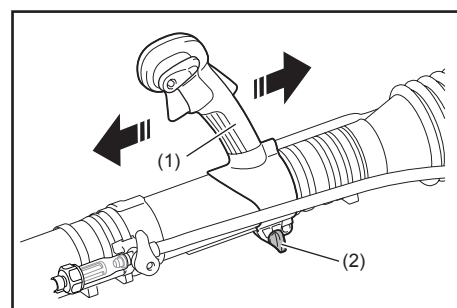
5. Sæt opløsningsudledningsarmen (9) på røret.  
Sørg for, at den åbne side af armens base (11) vender mod svingslæderøret.  
Sæt armens base ud for mellemrummet på fremspringet på det lige rør (12).  
Stram dem derefter med båndene med en diameter på 76 mm (3).



6. Sørg for, at alle klemmer er stramme.

### Indstilling og fastgørelse af kontrolhåndtaget

1. Tag maskinen på ryggen, og juster skulderremmen (se "Indstilling af skulderremmen").
2. Skyd kontrolhåndtaget (1) langs røret til den mest bekvemme stilling.
3. Fastgør kontrolhåndtaget ved at dreje knappen (2).

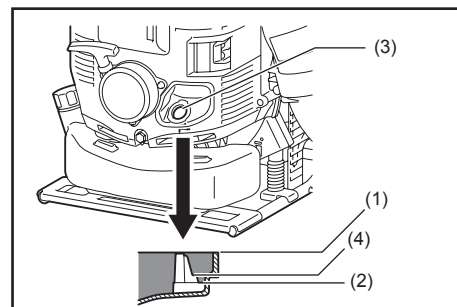


## INDEN MOTOREN STARTES

### 1. Kontrol og påfyldning af motorolie

- 1) Udfør den følgende procedure, når motoren er kold, dvs. tågeblæseren ikke har kørt.
  - Inspektion: Anbring tågeblæseren på en plan flade, og fjern oliehaten. Verificer at oliestanden er inden for det øvre (1) og nedre (2) grænsemærke på oliestandsmåleren (3). Hvis olien ikke er op til 100 mL standen (4), skal der fyldes ny olie på.
  - Påfyldning af olie: Anbring tågeblæseren på en plan flade, og fjern oliehaten. Fyld olie op til den øvre grænse på oliestandsmåleren.
- 2) I gennemsnit skal der tilføjes motorolie efter hver 20 timers brug. Intervallet mellem hver olieudskiftning svarer til oliepåfyldning af tågeblæseren ca. 10 – 15 gange.
- 3) Skift olien, når den er blevet snavset, eller det er tydeligt, at den har skiftet farve. (Vi henviser til S. 204 angående fremgangsmåden for olieskift og hyppigheden af denne).
 

Anbefalet olie:	Original DOLMAR olie eller SAE10W-30 olie af API type SF grad eller bedre (4-takts motorolie til automobiler)
Oliekapacitet:	Ca. 0,22 L (220 mL)



#### ⚠ FORSIGTIG:

- Hvis tågeblæseren ikke opbevares i opret stilling, kan olien flyde fra oliestandsmåleren ind i motoren og give en forkert udlæsning, når oliestanden kontrolleres. Dette kan resultere i en utilsigtet overopfyldning, når der fyldes olie på. Opbevar altid maskinen i en opret stilling.
- Hvis den øvre oliestandsgrænse overskrides, kan dette resultere i, at olien bliver snavset, og at der opstår hvid røg fra overskydende olie, der brænder.

#### Kontrolpunkt #1: Angående oliehaten, når der tilføjes olie

- Fjern støv eller snavs omkring åbningen, inden oliehaten tages af.
- Fjern oliehaten, og anbring den på en ren overflade, så der ikke akkumuleres sand, snavs eller andre fremmedlegemer. Disse substanser kan sætte sig fast på hættens og forurene motorolien, hvis passende forholdsregler ikke tages. Snavset olie, som indeholder sand, støv eller fremmedlegemer, kan medføre ekstrem slitage på motoren på grund af forkert smøring og resultere i et sammenbrud.

## Kontrolpunkt #2: Hvis der spildes olie under påfyldning

- Oliespild på ydersiden af tågeblæseren kan reultere i, at motorolien bliver snavset eller fortyndet. Aftør derfor al spildt olie, inden motoren startes.

## 2. Brændstoftpåfyldning

### ⚠ ADVARSEL:

- Når der fyldes brændstof på maskinen, skal man altid overholde de følgende instruktioner for at forhindre antændelse eller brand:
  - Brændstoftpåfyldning skal udføres på et sted, hvor der ikke er åben ild. Lad ikke åben ild (rygning etc.) komme i nærheden af det sted, hvor der fyldes brændstof på.
  - Stop motoren, og lad den køle af, inden der fyldes brændstof på.
  - Foretag påfyldning på en plan flade. Påfyld ikke brændstof på et ustabilt eller dårligt ventileret sted.
  - Påfyldning skal udføres, hvor lyset er godt og sigtbarheden god.
  - Foretag påfyldning på et åbent, ryddeligt sted.
  - Åbn brændstoftankens hætte langsomt. Brændstoffet kan løbe ud på grund af internt tryk.
  - Vær forsigtig med ikke at spilde brændstoffet. Al spildt brændstof skal tørres bort.
  - Påfyld ikke mere brændstof end nødvendigt.
  - Påfyld brændstof på et velventileret sted.
- Håndter brændstoffet med forsigtighed.
  - Brændstof, der er kommet på huden eller i øjnene, kan medføre allergier eller irritation. Ret straks henvendelse til en speciallæge, hvis der registreres nogen fysisk unormal tilstand.

## Opbevaringsvarighed for brændstof

Brændstof bør bruges inden for en periode på 4 uger, selv hvis det opbevares i en speciel beholder og i skyggen.

Hvis der ikke anvendes en speciel beholder, eller hvis beholderen ikke er tildækket, kan brændstoffet forringes i løbet af kun en enkelt dag.

## Opbevaring af maskinen og opfyldningstanken

- Opbevar maskinen og tanken på et køligt sted uden direkte sol.
- Opbevar aldrig brændstoffet i bilen eller bagagerummet.

## Brændstof

Motoren er en 4-takts motor. Sørg for at bruge automobilbenzin (almindelig benzin eller førsteklasses benzin).

## Om brændstof

- Brug aldrig en benzinblanding, som indeholder motorolie. Dette vil medføre en ekstrem akkumulering af kul eller mekaniske problemer.
- Brug af forringet brændstof vil medføre uregelmæssig opstart.

Når der påfyldes brændstof, skal motoren altid stoppes, og man skal sørge for, at motoren er kølet af.

## Påfyldningsmetode

- Løsn tankdækslet en smule, så der ikke er nogen forskel i det atmosfæriske tryk.
- Tag tankhætten af, og fyld brændstof på, idet De lader luft sive ud ved at vippe brændstoftanken således, at påfyldningsåbningen vender opad. (Fyld aldrig brændstof på op til oliepåfyldningsåbningen.)
- Stram tankhætten godt til efter påfyldningen.
- Hvis der er fejl eller skade på tankhætten, skal den skiftes ud.
- Tankhætten slides op. Skift den ud hvert andet eller tredje år.

# START OG STOP AF MOTOREN

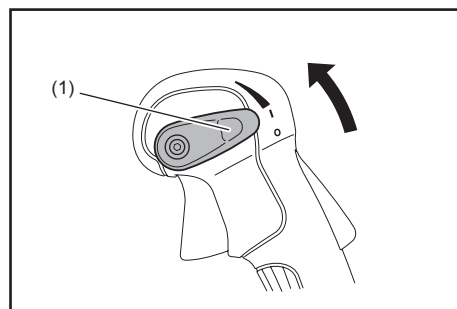
## 1. Start

### ⚠ ADVARSEL:

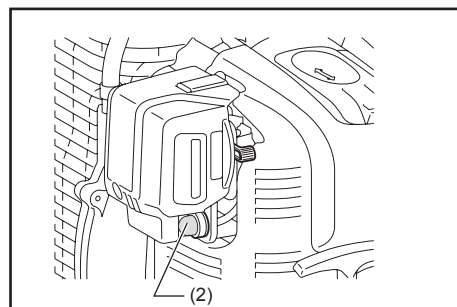
- Forsøg aldrig at starte motoren på det samme sted, hvor der er fyldt brændstof på. Hold en afstand på mindst 3 m, når motoren startes.
  - Ellers er der fare for antændelse eller brand.
- Udstødgas fra motoren er giftig. Kør ikke motoren på dårligt ventilerede steder, som f.eks. i en tunnel, en bygning etc.
  - Hvis motoren køres på dårligt ventilerede steder, kan udstødgassen medføre forgiftning.
- Hvis der registreres nogen unormal lyd, lugt eller vibration efter start, skal man straks stoppe motoren og foretage en inspektion.
  - Hvis motoren køres uden hensyn til sådanne unormale tilstande, kan der opstå ulykker.
- Kontroller, at motoren stopper, når stopkontrolarmen sættes til "O"-stillingen.
- Kontroller, at opløsningsudløbsarmen er lukket, inden De starter maskinen.

### 1) Hvis motoren er kold eller efter brændstofpåfyldning (koldstart):

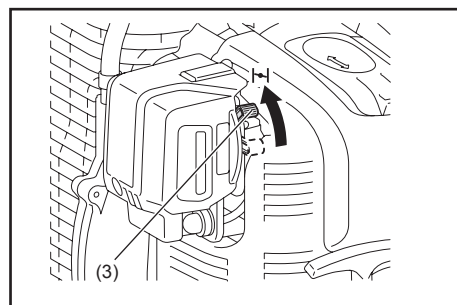
- (1) Anbring maskinen på en plan flade.
- (2) Sæt stopkontrolarmen (1) til "I" stillingen.



- (3) Tryk adskillige gange på fødepumpen (2), indtil brændstof kommer ind i fødepumpen.
  - Generelt vil der komme brændstof ind i karburatoren efter 7 til 10 tryk.
  - Hvis der trykkes for mange gange på fødepumpen, vil overskydende benzin returnere til brændstoftanken.

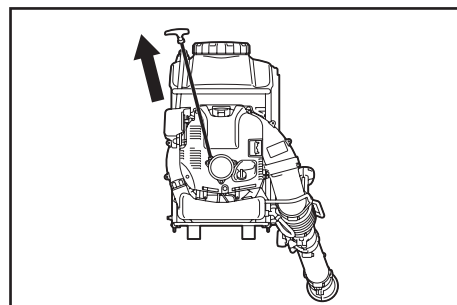


- (4) Løft chokerarmen (3).



- (5) Hold luftfilterdækslet med venstre hånd for at forhindre motoren i at bevæge sig, sænk det til en stabil stilling.

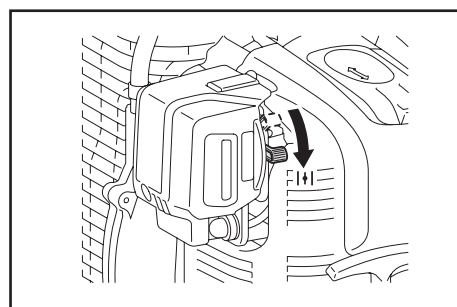
- (6) Træk langsomt i starterhåndtaget, indtil kompression mærkes. Træk derefter kraftigt til. Det kan tage to til fire forsøg, inden motoren starter.
  - Træk ikke rebet ud til dets fulde længde.
  - Lad starterhåndtaget gå forsigtigt tilbage i huset. Ellers kan det udløste starterhåndtag ramme Dem eller det vil måske ikke genopspole korrekt.



- (7) Når motoren starter, sættes chokerarmen gradvist ned, mens De kontrollerer motordriften. Sørg for at sænke chokerarmen helt til slut.
  - I kulde, eller hvis motoren er kølet ned, skal chokerarmen altid sænkes langsomt. Ellers kan motoren stoppe.

- (8) Tag fat i kontrolhåndtaget (låsarmen udløses ved dette), og træk i gasspældstriggeren for at starte opvarmningen. Fortsæt opvarmningen i 2 til 3 minutter.

- (9) Når motoromdrejningen er stabiliseret, og motoren accelererer jævnt fra lav til høj hastighed via bevægelse af gashåndtaget, er opvarmningen færdig.



### BEMÆRK:

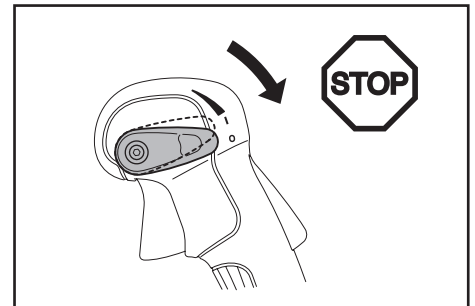
- Motoren kan lide skade, hvis chokerarmen flyttes yderligere forbi "CLOSE"-stillingen.
- Hvis motoren stopper med en eksplosionslyd, eller hvis motoren startede, men stoppede, inden brugen af chokerarmen, skal den returneres til "OPEN"-stillingen, og man skal trække flere gange i starterhåndtaget for at starte motoren igen.
- Hvis operatøren bliver ved med at trække i starterhåndtaget flere gange med chokerarmen i "CLOSE"-stillingen, kan det være vanskeligt at starte motoren på grund af overstrømning af brændstof.
- I tilfælde af overstrømning af brændstof skal man fjerne tændrøret og trække flere gange hurtigt i håndtaget for at eliminere alt overskydende brændstof. Tør tændrørets elektrode.
- Hvis drosselventilen ikke returnerer til en stilling i kontakt med tomgangsjusteringskruen, selv hvis gasspjældstriggeren er sat til lav hastighed, skal kontrolkablets kontaktstatus korrigeres for at en korrekt retur af ventilen sikres.

#### 2) Hvis motoren er varm (varm start)

- (1) Anbring motoren på en plan overflade.
- (2) Tryk flere gange på spædepumpen.
- (3) Bekræft, at chokerarmen er nede.
- (4) Hold luftrenserdækslet med venstre hånd for at forhindre motoren i at bevæge sig, sænk det til en stabil stilling.
- (5) Træk langsomt i starterhåndtaget, indtil kompression mærkes. Træk derefter kraftigt til.
- (6) Hvis motoren er svær at starte, skal man åbne drosselventilen med 1/3.

## 2. Stop

- 1) Frigør gasspjældstriggeren for at reducere motorhastigheden, og sæt stopkontrolarmen til "O"-stillingen.



## INDSTILLING AF TOMGANGSHASTIGHEDEN

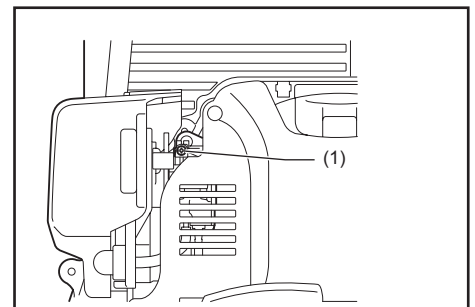
### ⚠ FARE:

- Indstilling af karburatoren er foretaget på fabrikken, inden maskinen leveres. Justér ikke andet end tomgangsindstillingen. Hvis en justering bliver nødvendig, bedes De rette henvendelse til et autoriseret servicecenter.

### Kontrol af tomgangen

Indstil tomgangshastighedens omdrejninger til 2 800 min<sup>-1</sup>.

- Hvis det er nødvendigt at ændre rotationshastigheden, skal man regulere justeringskruen (1) med en stjerneskruetrækker.
- Drej justeringskruen til højre og motoromdrejningerne vil øges. Drej justeringskruen til venstre og motoromdrejningerne vil mindskes.



## ANVENDELSMETODE

### Montering af sikurven

Tågeblæseren er udstyret med sikurve ved opløsningstankens åbning og røringangshovedet.

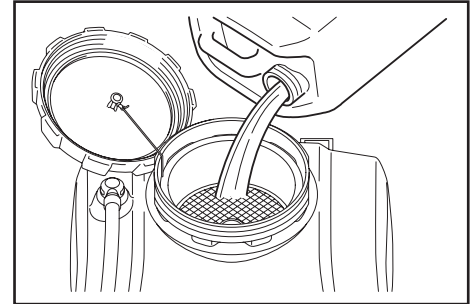
Sørg altid for, at sikurven er monteret på plads.

Sikurven monteres ved, at man trykker den på plads.

For at fjerne sikurven skal man lirke den ud.

#### ⚠ ADVARSEL:

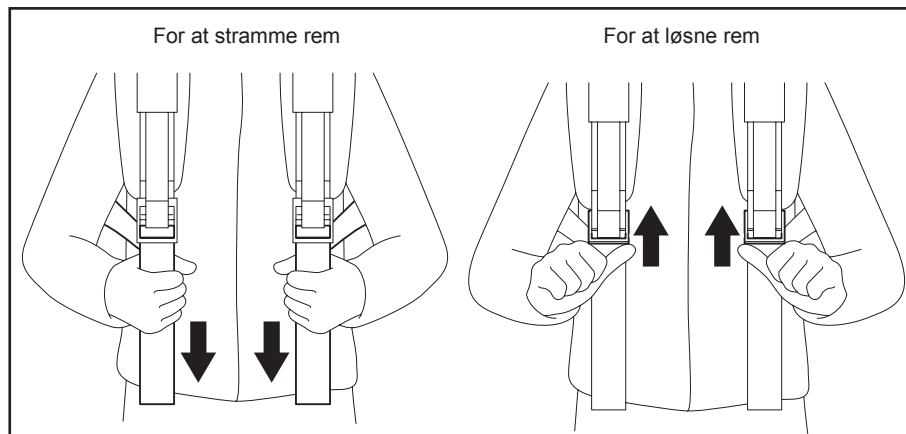
- Stram tankhætten godt til. Forsømmelse af at stramme tankhætten kan medføre lækage af opløsningen, trykreduktion og lignende.



### Indstilling af skulderremmen

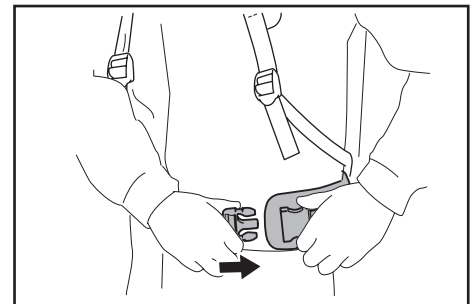
Indstil skulderremmen til en længde, der er behagelig at arbejde med, når De bærer tågeblæseren.

Indstil den som vist på illustrationen.



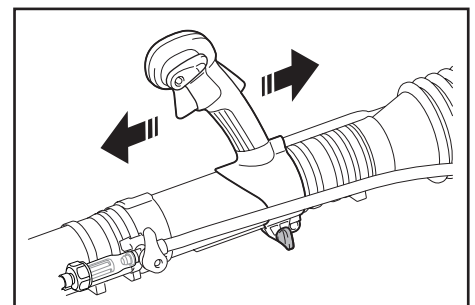
### Hofterem (ekstraudstyr)

Hofteremmen (ekstraudstyr) sætter operatøren i stand til at bære maskinen på en mere stabil vis.



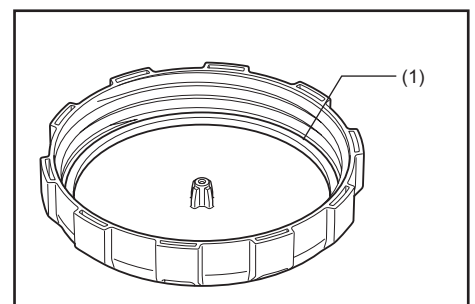
### Indstilling af kontrolhåndtaget

Flyt kontrolhåndtaget langs svingslæderøret til den mest behagelige stilling.

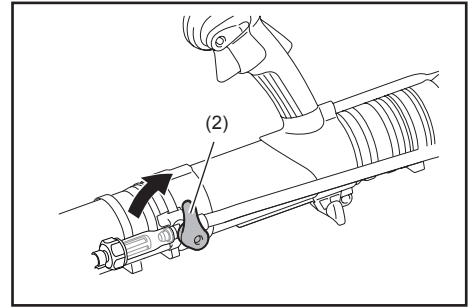


### Opfyldning af opløsningstanken

1. Hold pakningen (1) i god, ren stand og smurt med fedt.
2. Anbring tågeblæseren på en plan overflade.



3. Inden opløsningstanken fyldes, skal man huske at lukke opløsningsudløbsarmen (2).



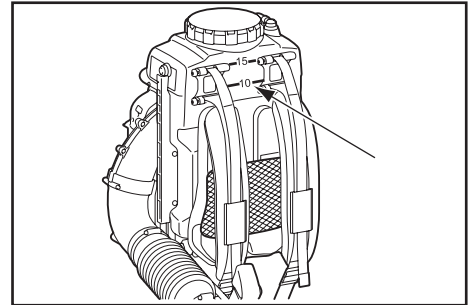
4. Opløsningstanken kan rumme 15 liter opløsning.

Når tanken er fuld, er den totale vægt, inklusive opløsning, næsten 30 kg.

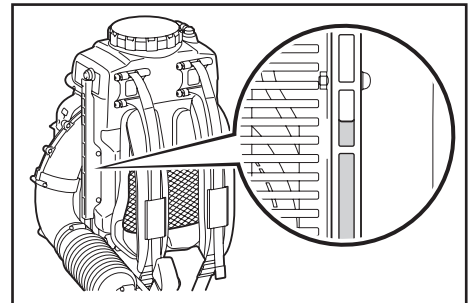
Juster opløsningen, og påfyld en mængde, så tågeblæseren med opløsning i tanken ikke er for tung og kan håndteres af operatøren.

Hvis der påfyldes 10 liter opløsning (dvs. når den ophældte opløsning er ud for 10 liter markeringen på siden af tanken), er den totale produktvægt næsten 25 kg.

Det anbefales, at maskinens totale vægt ikke overstiger 30 kg for mænd og 25 kg for kvinder.

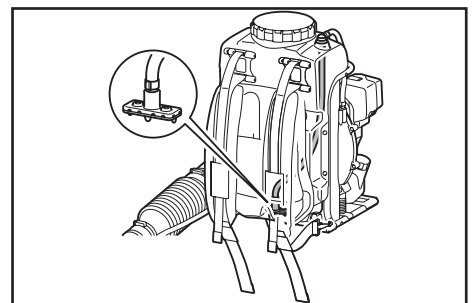


Brug opløsningsniveauet i røret på siden af tågeblæseren som en retningslinje til at kontrollere opløsningsniveauet i opløsningstanken.



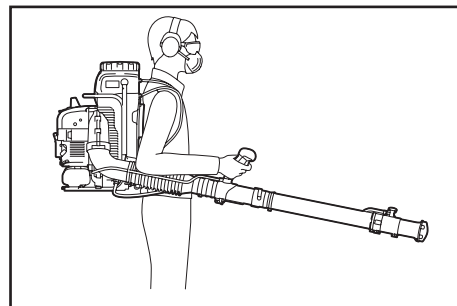
### Opløsningsblandefunktion

Opløsningsblandeanordningen inden i opløsningstanken gør det muligt at blande opløsningen med luftbobler, som kommer ud af den under sprøjtearbejdet.



## Anvendelse af tågeblæseren

For at øge motorhastigheden skal man tage fat i kontrolhåndtaget (låsearmen udløses ved dette) og trække i gasspjældstriggeren. Motorhastigheden kontrolleres ved, at man trykker på gasspjældstriggeren.

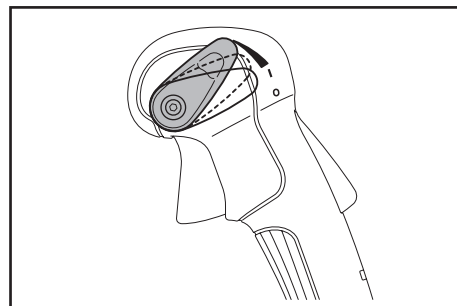


Positionen af stopkontrolarmen kan indskrænke gasspjældstriggerens vinkel. Stopkontrolarmen har fire stillinger. "O" (motorstop), "I", og to stillinger til indskrænkning af gasspjældstriggerens stillinger.

"I"-stillingen indskrænker ikke motorhastigheden (gasspjældstriggeren kan trækkes helt ud).

Gasspjældstriggerens vinkel indskrænkes fra et trin over "I"-stillingen. Gasspjældstriggeren er mere indskrænket, hvis De flytter stopkontrolarmen endnu et trin over "I"-stillingen.

Indstil den motorhastighed, der er passende for arbejdsstedet og forholdene under arbejdet.

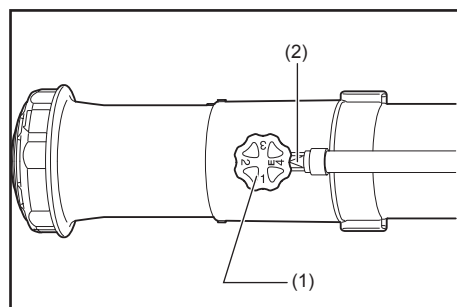
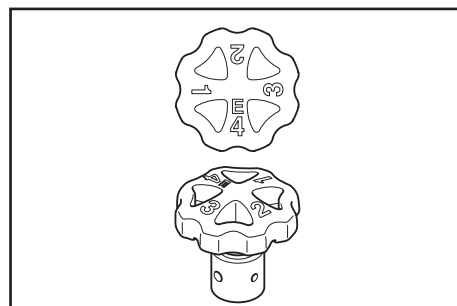


## Knappen til væskeindstilling

Knapper til væskeindstilling muliggør et bredt spektrum af forskellige udstrømningsmængder.

Indstilling af udstrømningsmængden.

Drej knappen til væskeindstilling (1) på det andet mundstykke for at opnå den ønskede udstrømningsmængde, så tallet på knappen til væskeindstilling er ud for trekantsmarkeringen (2).



Udstrømningsmængde

Sprøjt, idet De holder det lige rør i en vinkel på 0 grader til minusgrader horisontalt.

Knapstilling	Udstrømningsmængde (L/min) (middelværd)
1	0,36
2	1,0
3	1,6
4	2,5

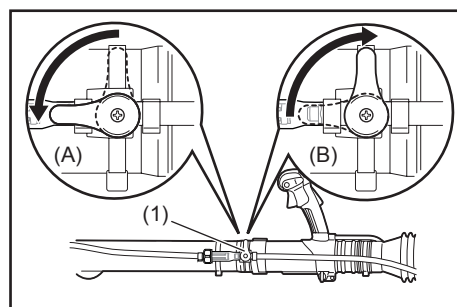
### BEMÆRK:

- Brug tallene i ovenstående oversigt som et rettesnor for brugen, og disse kan blive ændret i henhold til tætheden af den kemiske opløsning, der anvendes i opløsningstanken.

## Opløsningsudledningsarm

For at starte fødnings af opløsning (A) skal man dreje opløsningsudstrømningsarmen (1) vandret mod røret.

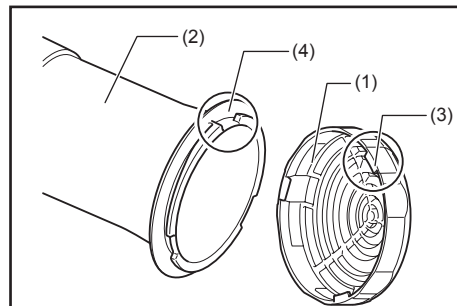
For at stoppe fødnings af opløsning (B) skal man dreje opløsningsudstrømningsarmen lodret mod røret.



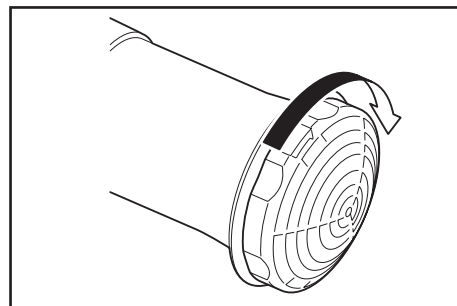


## Installation og aftagning af spredningsdækslet

For at installere spredningsdækslet (1) skal man montere det på topmundstykket (2), således at dets fremspring (3) er ud for fordybningen (4) i topmundstykket.



Fastgør spredningsdækslet ved at dreje det hele vejen i urets retning.



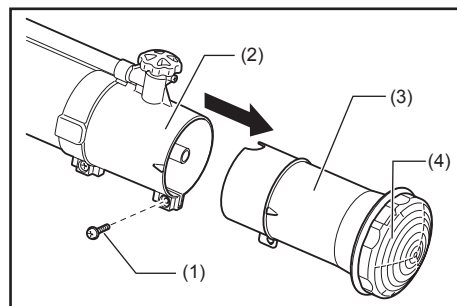
For at fjerne spredningsdækslet skal man følge ovenstående procedure i modsat rækkefølge.

## Udskiftning af mundstykket til et mundstykke med udstrømning af en lille mængde opløsning (ekstraudstyr)

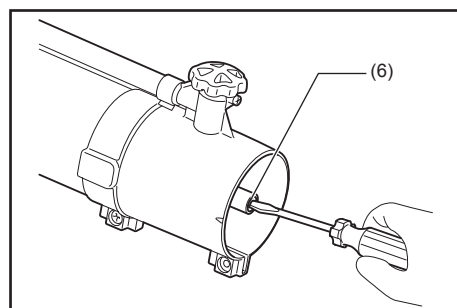
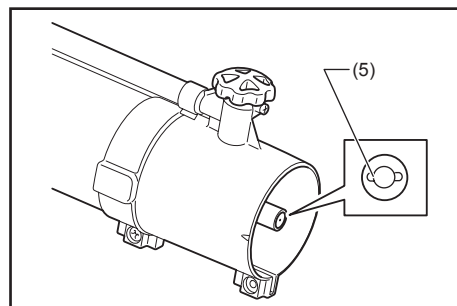
Hvis en lille mængde opløsning skal sprøjtes, skal man udskifte mundstykkehætten med en anden type medfølgende mundstykkehætte med et mindre udstrømningshul.

For at udskifte mundstykket, skal man gå frem som beskrevet herunder.

1. Fjern skruen (1) fra det andet mundstykke (2) og fjern derefter topmundstykket (3) og spredningsdækslet (4).



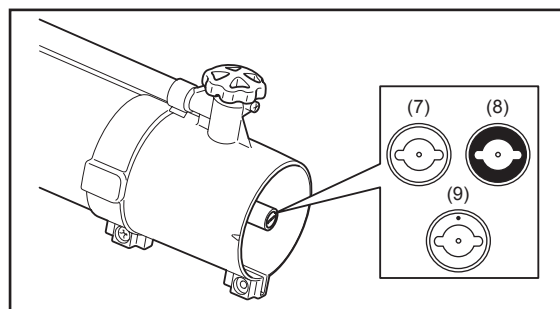
2. Sæt en kærnskruetrækker i rillen (5) i topmundstykket og fjern mundstykkehætten (6) ved at dreje den hele vejen mod uret.



3. Monter et andet medfølgende mundstykke med et lille udstrømningshul.

**BEMÆRK:**

- Vælg det rigtige mundstykke af de to i overensstemmelse med den kemikalietype (viskositet), De bruger.



Mundstyketype	Kemikalieviskositet	Kemikalieeksempel	Udstrømningsmængde (L/min)*1
Aluminiumsmundstykke (sølvfarvet) (7) *2	Høj	MALATHION (bland olien.)	0,14
Messingmundstykke (guldfarvet) (8) *2	Lav	Aqua K-Othrine (bland vandet.)	0,075
Messingmundstykke med slagmærker (guldfarvet) (9) *2	Lav	Cipermetrinato (bland vandet.)	0,060

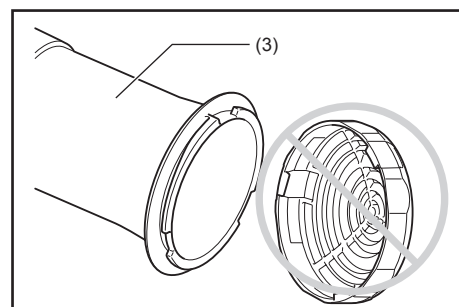
**Bemærk 1:** Den i oversigten viste udstrømningsmængde angår vand og bruges kun som retningslinie. Dette varierer efter de kemikalier, der anvendes.

**Bemærk 2:** Typen af mundstykke(r), som følger med tågeblæseren, varierer fra land til land.

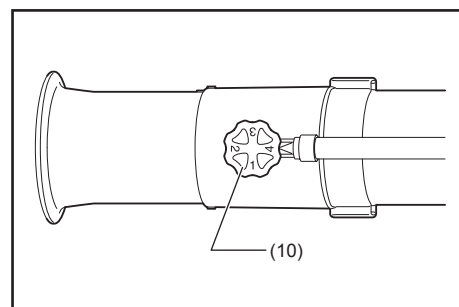
4. Monter topmundstykket (3), og fastgør det med skruen (1).

**BEMÆRK:**

- Når ovennævnte mundstykke med udstrømning af en lille mængde opløsning anvendes, må man ikke montere spredningsdækslet (4). Læg det til side på et sted, hvor det ikke bliver væk.



5. Sæt knappen (10) i stilling 4.

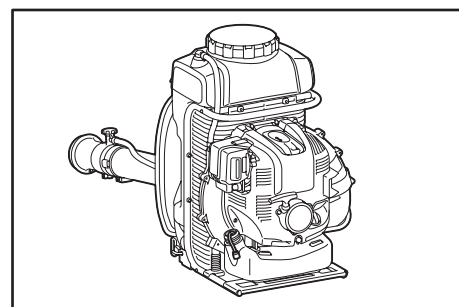


**TRANSPORT AF TÅGEBLÆSEREN**

Hold tågeblæseren i en opret stilling, når den transporteres eller opbevares. Hvis den transporteres eller opbevares i en stilling, der ikke er opret, kan det bevirke, at der løber olie ud inden i tågeblæserens motor. Dette kan resultere i olieudsivning og hvid røg fra brændende olie, og luffilteret kan blive snavset til af olie.

**FARE:**

- Når tågeblæseren transporteres og opbevares, skal man altid huske at stoppe motoren.



## Tømning og rengøring af opløsningstanken

### ⚠ ADVARSEL:

- Bær altid gummi-/kemikalieresistente handsker, når De renser og tømmer opløsningstanken.

### Tømning af opløsningstanken

### ⚠ ADVARSEL:

- Bortskaf aldrig kemikalier eller rensset vand ved at åbne hæppen nederst på opløsningstanken.
- Sørg for efter udtømning, at opløsningsudstrømningsarmen er lukket.
- Hvis der stadig er kemisk opløsning tilbage i opløsningstanken efter den i brugsanvisningen nævnte metode, skal maskinen vippe mod rørsiden for at hælde al resterende opløsning ud.

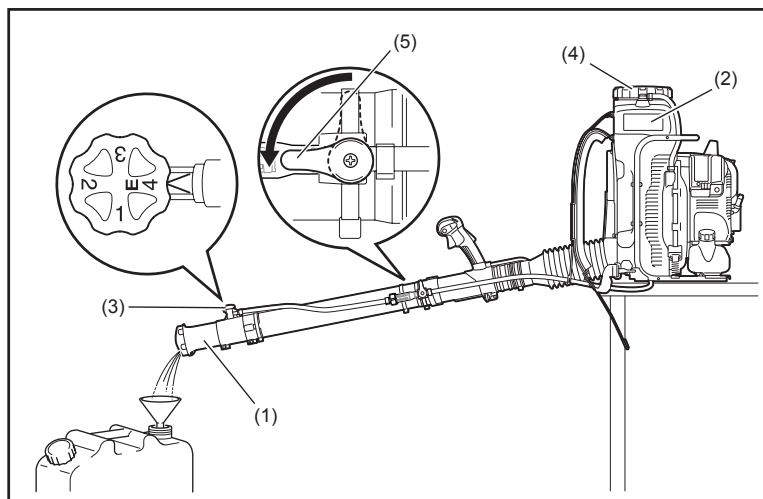
1. Anbring tågeblæseren på et stabilt sted. Anbring mundstykket (1) lavere end bunden af opløsningstanken (2), og anbring en opsamlingsbeholder under den.

2. Sæt knappen (3) i stilling E.

3. Åbn opløsningsudstrømningsarmen (4) en smule for at lette trykket i tanken.

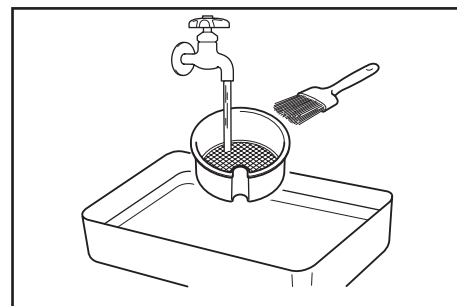
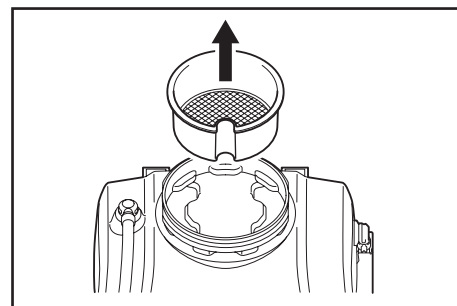
4. Åbn opløsningsudstrømningsarmen (5). Kemisk opløsning kommer ud af mundstykket.

5. Rengør tanken indvendigt med vand.



### Rengøring af opløsningstankens sikur

Fjern tankhætten, tag sikurven ud fra tankens indre, og rengør den derefter efter brug.

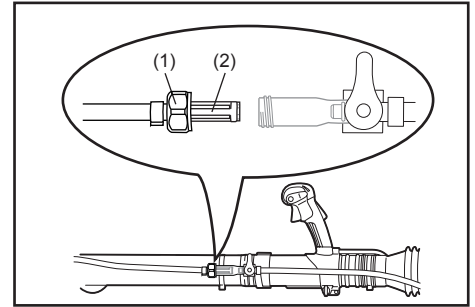


## Rengøring af rørsammenføjnngen

### ⚠ ADVARSEL:

- Fjern ikke slangebåndet, røret eller hættten, når opløsningsudledningsarmen er åben.
- Løsn ikke hættten, når opløsningsudledningsarmen er åben.

1. Løsn og fjern hættten (1), som kommer ud med sikurven (2).
2. Fjern støv og partikler fra sikurven.
3. Sæt sikurven tilbage i udgangsstillingen. Sørg for, at stramme hættten godt til.



## INSPEKTION OG VEDLIGEHOLDELSE

### ⚠ FARE:

- Stop motoren inden inspektion og vedligeholdelse, så den kan køle af. Fjern ligeledes tændingsrøret og tændingsrørets hætte.
  - Hvis inspektion og vedligeholdelse forsøges udført umiddelbart efter motorstop eller med tændrørshætten på, kan operatøren få forbrændinger eller komme ud for en ulykke forårsaget af skødesløs start.
- Sørg for efter inspektion og vedligeholdelse, at alle dele er samlet. Gå derefter videre til anvendelsen.
- Bær altid gummi-/kemikalieresistente handsker under inspektion og vedligeholdelse.

### BEMÆRKNING:

- Brug aldrig benzin, rensbenzin, fortynder, alkohol eller lignende. Misfarvning, deformering eller revner kan blive resultatet.

## Udskiftning af motorolie

Forringet motorolie vil i høj grad afkorte de glidende og roterende deles levetid. Sørg for at kontrollere perioden og kvaliteten for udskiftningen.

### ⚠ FARE:

- Motorens hoveddel og motorolien vil generelt stadig være varme, efter at motoren er stoppet. Når olien skiftes ud, skal man sørge for, at motorens hoveddel og motorolien er tilstrækkeligt afkølet. Ellers er der risiko for forbrændinger. Umiddelbart efter at motoren er stoppet, er det desuden ikke sikkert, at al olie returnerer til krumtaphuset. Kontroller ikke oliestanden, lige efter at motoren er stoppet.
- Hvis olien er over grænsen, kan den blive forurennet eller kan antændes med dannelse af hvid røg.

**Interval for udskiftning:** Efter de første 20 driftstimer og derefter for hver 50 driftstimer

**Anbefalet olie:** SAE10W-30 olie API klassifikation SF klasse eller højere (4-takts motorolie til automobiler)

## Fremgangsmåde for olieskift

1. Anbring tågeblæseren på en plan overflade.
2. Anbring en beholder til brugt olie under afløbshullet (1) for at opsamle olien, når den løber ud.  
Beholderen skal have en kapacitet på mindst 220 mL for at kunne opsamle al olien.
3. Løsn oliedrænbolten (2) for at lade olien løbe ud. Vær påpasselig med, at der ikke kommer olie på brændstoffranken eller andre dele.

### ⚠ FORSIGTIG:

- Vær påpasselig med ikke at miste pakningen (aluminiumspakningskive) (3). Anbring oliedrænbolten på (2) på et sted, hvor den ikke vil opsamle snavs.

4. Fjern oliehattten (4). (Aftagning af oliehattten (4) gør det nemmere at tømme olien ud.)

### ⚠ FORSIGTIG:

- Sørg for at anbringe oliehattten (4) på et sted, hvor den ikke vil opsamle snavs.

5. Da mængden af olie, der tømmes ud, mindskes, skal man vippe tågeblæseren fra side til side med drænet, så olien tømmes helt ud.

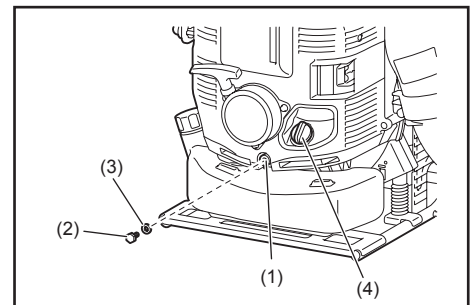
6. Når olien er tømt helt ud, skal man stramme oliedrænbolten (2) godt til. Hvis bolten ikke er godt strammet, kan resultatet blive olielækage.

### ⚠ FORSIGTIG:

- Glem ikke at sætte pakningen (aluminiumspakningskive) (3) tilbage på plads, når drænproppen igen er monteret.

7. Påfyldning af olie under olieskiftproceduren udføres på samme måde som den separat forklarede procedure for påfyldning af olie, når niveauet er utilstrækkeligt. Påfyld altid olie fra åbningen under oliehattten.  
(Specificeret oliestand: Ca. 220 mL)

8. Efter påfyldning af olie strammes oliehattten (4) godt til for at forhindre olielækager.



## Husk når motorolien skiftes ud

- Bortskaf aldrig udskiftet motorolie i skrald, jord eller kloaksystemer. Bortskaffelse af olie skal ske i henhold til loven. Ved bortskaffelse skal man altid følge de relevante love og regulativer. Kontakt gerne en autoriseret serviceagent, hvis der er uklare punkter.
- Olie forringes selv i ubrugt tilstand. Udfør inspektion og udskiftning med jævne mellemrum (skift ud med ny olie hver 6 måned).

## Rengøring af luftfilter

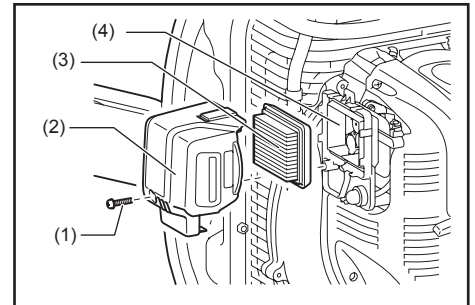
**⚠ ADVARSEL:** BRÆNDBARE MATERIALER ER STRENGT FORBUDT

Rengørings- og inspektionsinterval: Dagligt (hver 10 driftstime)

1. Løsn knapbolten (1).
2. Fjern luftfilterdækslet (2).
3. Tag elementet (3) ud, og fjern al snavs med en børste.

### BEMÆRK:

- Elementet er af den tørre type og må ikke blive vådt. Vask det aldrig med vand.
4. Skift elementet ud med et nyt, hvis det er beskadiget eller meget snavset.
  5. Tør al olie, som er kommet i kontakt med ånderøret, af med en klud eller et stykke stof.
  6. Installér elementet i luftfilterhuset (4).
  7. Sæt luftfilterdækslet på, og stram knapbolten.



### ⚠ FARE:

- Rengør elementet flere gange dagligt, hvis store mængder støv har sat sig på det.
- Hvis anvendelsen fortsætter, uden at elementet er rengjort for olie, kan olie i luftfilteret løbe ud med forurening som resultat.

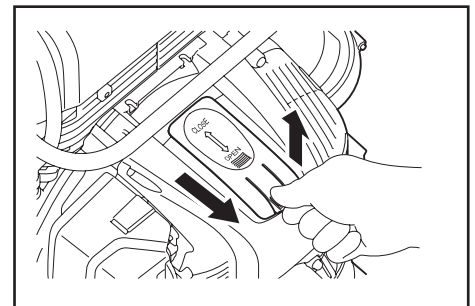
## Kontrol af tændrør

### ⚠ FORSIGTIG:

- Når tændrøret fjernes, skal man først rengøre tændrøret og cylinderhovedet, således at der ikke vil trænge snavs, sand etc. ind i cylinderen.
- Tændrøret skal fjernes, efter at motoren er kølet af, for at undgå at beskadige gevindhullet i cylinderen.
- Tændrøret skal installeres korrekt i gevindhullet. Hvis det installeres i en vinkel, vil gevindhullet i cylinderen lide skade.

#### 1. Åbning/lukning af rørdækslet

For at åbne rørdækslet skal man trække op i fugen på rørdækslets fremspring og skyde det i retning af "OPEN"-indikeringen som vist på illustrationen til højre. For at lukke dækslet skal man skyde dækslet i retning af "CLOSE", indtil klikket under rørdækslet kommer over motordækslet. Tryk til sidst fremspringet ind.

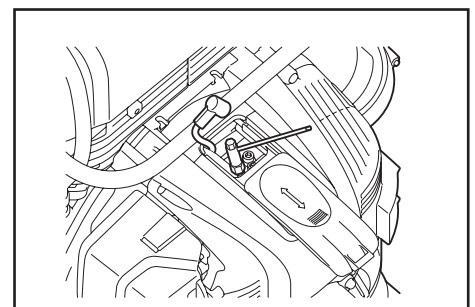


#### 2. Fjern tændrøret

Brug den medfølgende topnøgle til at fjerne eller installere tændrøret.

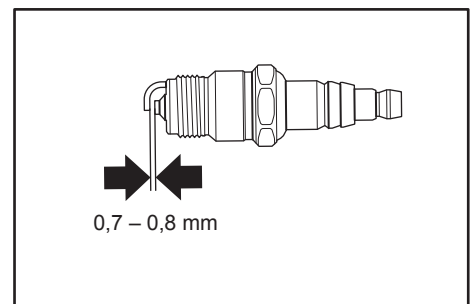
#### 3. Kontrol af tændrøret

Afstanden mellem to elektroder i tændrøret (se illustrationen) er 0,7 mm til 0,8 mm. Indstil den korrekte afstand, hvis den er for stor eller for lille. Rengør tændrøret omhyggeligt eller skift det ud, hvis der har samlet sig kul eller anden forurening på det.



#### 4. Udskiftning af tændrøret

Til udskiftning bruges NGK-CMR6A.



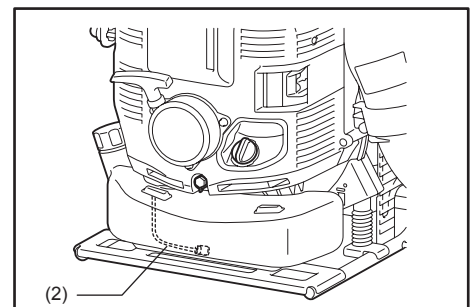
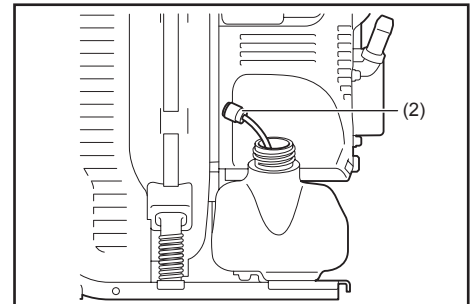
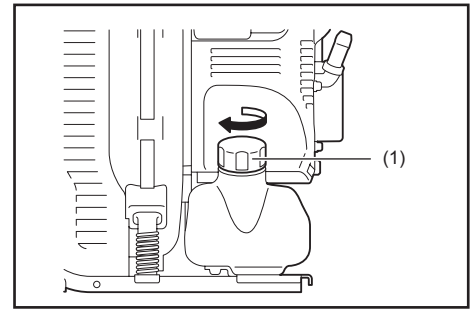
## Rengøring af brændstoffilteret

- Et tilstoppet brændstoffilter kan gøre det vanskeligt at starte, eller det kan umuliggøre øgning af motorhastigheden.
- Kontroller med jævne mellemrum brændstoffilteret som følger:

1. Fjern brændstoftankhætten (1), og tøm tanken ved at lade brændstoffet løbe ud. Kontroller, at der ikke er nogen fremmedlegemer i tanken. Hvis der er nogen, skal de fjernes.
2. Træk brændstoffilteret (2) ud med et stykke ståltråd gennem oliepåfyldningsåbningen.
3. Hvis overfladen på brændstoffilteret er forurenet, skal den rengøres med benzin. Dårlig benzin skal bortskaffes i henhold til den metode, der er foreskrevet af den relevante lokale myndighed. Hvis filteret er ekstremt forurenet, skal det skiftes ud med et nyt.
4. Sæt brændstoffilteret tilbage i brændstoftanken, og stram brændstoftankens hætte godt til.

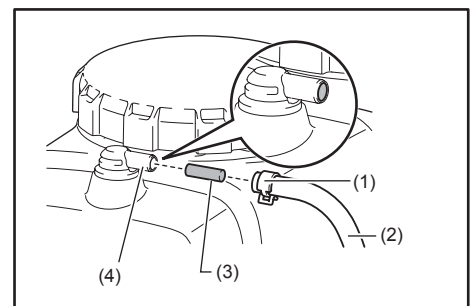
### BEMÆRK:

- Når brændstoffilteret sættes tilbage i tanken, skal det anbringes i den stilling, der vises på illustrationen. Kontakt et autoriseret servicecenter angående udskiftning.



## Rengøring af sammenføjningsrørets filterelement

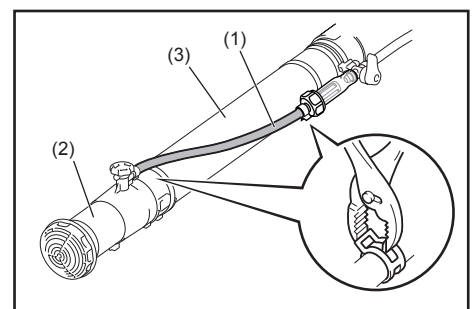
1. Fjern slangebåndet (1) og slangen (2).
2. Træk elementet (3) ud, og fjern al snavs fra det med en børste. Hvis det er svært at trække elementet ud, skal man bruge en tynd pind til at trække det ud med.
3. Skift elementet ud med et nyt, hvis det er beskadiget eller meget snavset.
4. Tryk elementet ind i sammenføjningsrøret (4), indtil elementet er ud for enden med åbningen.
5. Monter slangen, og fastgør den med slangebåndet.



## Udskiftning af opløsningsslangen

- Kontroller opløsningsslangen (1) hyppigt. En beskadiget slange kan resultere i lækage af kemisk opløsning. Skift om nødvendigt slangen ud som følger.

1. Fjern mundstykket (2) fra røret (3).
2. Løsn slangebåndet og skift derefter den gamle slange ud med en ny.



## Inspektion af bolte, møtrikker og skruer

- Stram løse bolte, møtrikker og skruer etc.
- Kontroller om der er lækage af brændstof og olie.
- Skift beskadigede dele ud med nye, så anvendelsen bliver sikkerhedsmæssig forsvarlig.

## Udskiftning af pakninger og tætninger

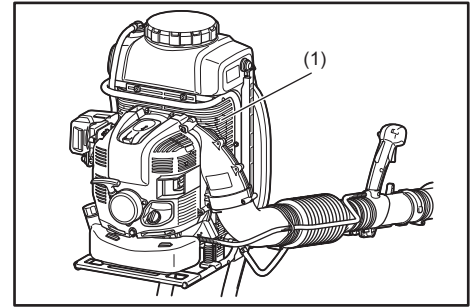
Skift pakninger og tætninger ud med nye ved samlingen, efter at motoren er skilt ad.

## Rengøring af dele

- Hold altid motoren ren.
- Hold cylinderribberne fri for støv og snavs. Støv og snavs, som sidder på ribberne, vil medføre motorstop.
- Blæseluft kommer ind fra luftindtagsnettets (1). Hvis luftstrømmen mindskes under anvendelsen, skal man stoppe motoren og inspicere luftindtagsnettets for obstruktioner.
- Bemærk, at forsømmelse af at fjerne obstruktioner kan resultere i, at motoren bliver overophedet og beskadiget.

### ⚠ ADVARSEL:

- Brug aldrig tågeblæseren uden dens net. Kontroller inden hver brug, at nettet sidder på plads og ikke er beskadiget.



Enhver vedligeholdelse af justeringsarbejde, som ikke er inkluderet og beskrevet i denne manual, må kun udføres af et autoriseret servicecenter.

## OPBEVARING

### Udtømning af brændstof

#### ⚠ ADVARSEL:

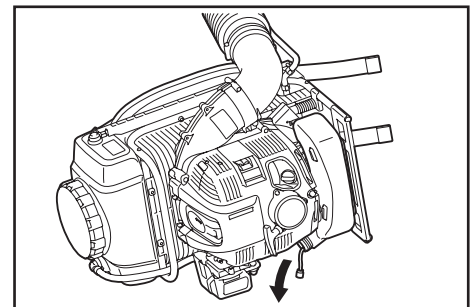
- Når brændstoffet udtømmes, skal man sørge for at stoppe motoren og bekræfte, at den er kølet af.  
– Lige efter at motoren er stoppet, kan den stadig være varm og forårsage forbrændinger, antændelse og brand.

#### ⚠ FORSIGTIG:

- Når maskinen ikke anvendes i længere tid, skal man tømme al olie ud af brændstoftanken og karburatoren og opbevare den på et tørt og rent sted.

Tøm brændstoffet ud af brændstoftanken og karburatoren ved at gå frem som beskrevet herunder:

- 1) Fjern brændstoftankens hætte, og tøm brændstoffet helt ud.  
Hvis der er nogen fremmedlegemer tilbage i brændstoftanken, skal de fjernes.
- 2) Træk brændstoffilteret ud fra påfyldningsåbningen ved hjælp af et stykke ståltråd.
- 3) Tryk på spædepumpen, indtil der løber brændstof ud fra den, og der kommer brændstof ind i brændstoftanken.
- 4) Sæt filteret tilbage i brændstoftanken og stram brændstoftankens hætte godt til.
- 5) Fortsæt derefter med at køre motoren, indtil den stopper.
- 6) Fjern tændrøret, og lad der dryppe flere dråber olie gennem tændrørshullet.
- 7) Træk forsigtigt i starterhåndtaget, så motorolien spredes over motoren, og monter tændrøret.
- 8) Hold maskinen opret under opbevaring.
- 9) Opbevar det udtømte brændstof i en speciel beholder på et velventileret sted i skyggen.



### Tømning af opløsningstanken

#### ⚠ ADVARSEL:

- Når opløsningstanken tømmes, skal man stoppe motoren og bekræfte, at motoren er kølet af.  
– Lige efter at motoren er stoppet, kan den stadig være varm og forårsage forbrændinger, antændelse og brand.

Inden tågeblæseren stilles til opbevaring, skal man tømme opløsningstanken ved at gå frem som vist i afsnittet "Tømning og rengøring af opløsningstanken".

### Rengøring af sikurven øverst på opløsningstanken

Når tågeblæseren opbevares, skal sikurven øverst på opløsningstanken altid rengøres. Angående rengøring af sikurven henvises til afsnittet "Tømning og rengøring af opløsningstanken".

### Rengøring af sikurven ved rørsammenføjeingen

Inden tågeblæseren stilles til opbevaring, skal sikurven ved rørsammenføjeingen altid rengøres. Angående rengøring af sikurven henvises til afsnittet "Tømning og rengøring af opløsningstanken".

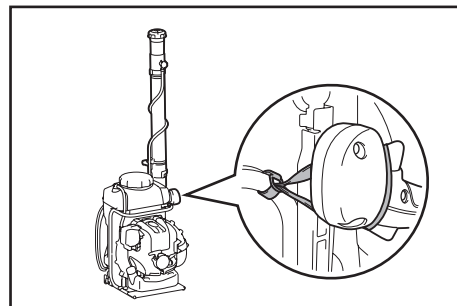
#### ⚠ FORSIGTIG:

- Når tågeblæseren opbevares, skal man huske at stoppe motoren.

## Fastholdelse af det lige rør med den medfølgende håndrem

Når tågeblæseren opbevares, skal det lige rør fastholdes med den medfølgende håndrem, som bindes til rammen.

Fastholdelse af røret i denne stilling vil gøre det nemt at transportere enheden.



## Vedligeholdelsesinterval

Punkt	Driftstid		Inden anvendelse	Efter smøring	Dagligt (10t)	30t	50t	200t	Nedlukning/ hvile	Modsvarende side
Motorolie	Inspicér		○							194
	Udskift							○ <sup>*1</sup>		204
Strammingsdele (bolte, møtrikker)	Inspicér		○							206
Opløsningsstankens sikurv	Inspicér		○							203
	Rengør				○					203
Rørsammenføjnings sikurv	Inspicér		○							204
	Rengør				○					204
Brændstoftank	Rengør/inspicér		○							—
	Udtøm brændstof								○ <sup>*3</sup>	207
Gasspjældstrigger	Kontroller funktion			○						—
Stopkontrolarm	Kontroller funktion			○						197
Tomgangshastighed	Inspicér/juster				○					197
Luftfilter	Rengør				○					205
Tændrør	Inspicér				○					205
Køleluftkanal	Rengør/inspicér				○					207
Brændstofrør	Inspicér				○					206
	Udskift							◎ <sup>*2</sup>		—
Brændstoffilter	Rengør/udskift						○			206
Afstand mellem luftindtagningsventil og luftudtømningsventil	Indstil							◎ <sup>*2</sup>		—
Olierør	Inspicér							◎ <sup>*2</sup>		—
Motoreftersyn								◎ <sup>*2</sup>		—
Karburator	Udtøm brændstof								○ <sup>*3</sup>	207

\*1 Udfør indledende udskiftning efter 20 timers brug.

\*2 For inspektion efter 200 driftstimer rettes henvendelse til et autoriseret servicecenter eller et maskinværksted.

\*3 Når brændstoftanken er tømt, skal man fortsætte med at køre maskinen og tømme brændstof fra karburatoren.



## FEJLFINDING

Prøv selv at løse problemet, inden De beder om reparation. Hvis der findes noget unormalt, skal De kontrollere Deres maskine i henhold til beskrivelsen i denne manual. De må aldrig pille ved eller afmontere nogen del i strid med beskrivelsen. For reparationer bedes De kontakte en autoriseret serviceagent eller den lokale forhandler.

Unormal tilstand	Mulig årsag (fejlfunktion)	Udbedring
Motoren starter ikke.	I-O knappen er sat til "STOP".	Sæt I-O knappen til "START".
	Spædepumpen fungerer ikke.	Tryk 7 til 10 gange.
	Lav træk hastighed for starterreb.	Træk kraftigt til.
	Mangel på brændstof.	Fyld brændstof på.
	Forkert chokerstilling.	Sæt til "CLOSE" (koldstart). Sæt til "OPEN" (varmstart).
	Tilstoppet brændstoffilter.	Rengør.
	Bøjlet eller blokeret brændstofrør.	Ret brændstofrøret ud, eller skift det ud.
	Forringet brændstof.	Forringet brændstof gør det sværere at starte. Skift ud med nyt. (Anbefalet udskiftning: 1 måned)
	Ekstrem sugning af brændstof.	Sæt gashåndtaget fra mellemhastighed til høj hastighed, og træk i starterhåndtaget, indtil motoren starter. Hvis motoren stadig ikke starter, skal man fjerne tændrøret, tørre elektroden og montere dem, som de oprindeligt var. Start derefter som specificeret.
	Rørhætte faldet af.	Sæt godt på.
	Forurenet tændrør.	Rengør.
	Unormal tændrørsafstand.	Justér afstand.
	Unormal tilstand af tændrør.	Skift ud.
	Unormal karburator.	Bestil inspektion og vedligeholdelse.
Starterreb kan ikke trækkes, eller der mærkes ingen kompression.	Bestil inspektion og vedligeholdelse.	
Unormalt drivsystem/elektrisk system. (Fejl i I-O knap, ledningsfejl, kontaktfejl etc.)	Bestil inspektion og vedligeholdelse.	
Motoren stopper hurtigt. Motorhastigheden øges ikke.	Utilstrækkelig opvarmning.	Udfør opvarmning.
	Chokerarmen er sat til "CLOSE", skønt maskinen er varmet op.	Sæt til "OPEN".
	Lav tomgangshastighed.	Justér tomgangshastighed.
	Tilstoppet brændstoffilter.	Rengør.
	Forurenet eller tilstoppet luftfilter.	Rengør.
	Unormal karburator.	Bestil inspektion og vedligeholdelse.
	Fejl i udstøddypotte (tilstoppet etc.).	Bestil inspektion og vedligeholdelse.
	Unormalt drivsystem/elektrisk system.	Bestil inspektion og vedligeholdelse.
Gasspjældsledning faldet ud.	Sæt godt på.	
Motoren stopper ikke. ↓ Kør motoren i tomgang, og sæt chokerarmen til "CLOSE".	Kontakt faldet af.	Sæt godt på.
	Unormalt elektrisk system.	Bestil inspektion og vedligeholdelse.

Hvis motoren ikke starter, efter at den er varmet op:

Hvis der ikke findes noget unormalt for kontrolpunkterne, skal De åbne gassen ca. 1/3 og starte motoren.

Σας ευχαριστούμε πάρα πολύ που επιλέξατε τον βενζινοκίνητο ψεκαστήρα της DOLMAR. Βρισκόμαστε στην ευχάριστη θέση να σας προσφέρουμε τον βενζινοκίνητο ψεκαστήρα της DOLMAR, ο οποίος είναι το αποτέλεσμα ενός πολύχρονου προγράμματος ανάπτυξης και πολλών ετών γνώσης και πείρας.

Ο ψεκαστήρας συνδυάζει τα πλεονεκτήματα της πιο εξελιγμένης τεχνολογίας με εργονομικό σχεδιασμό. Είναι βολικός, συμπαγής και αποτελεί επαγγελματικό εξοπλισμό για μια μεγάλη ποικιλία εφαρμογών.

**Διαβάστε, κατανοήστε και ακολουθήστε αυτό το βιβλίο, στο οποίο αναφέρονται αναλυτικά τα διάφορα σημεία που θα επιδείξουν την εξαιρετή απόδοσή του. Θα σας βοηθήσει να λάβετε με ασφάλεια το βέλτιστο δυνατό αποτέλεσμα από τον ψεκαστήρα της DOLMAR.**



**Πίνακας περιεχομένων**

	<b>Σελίδα</b>
Συμβολα .....	210
Σημαντικές οδηγίες για την ασφαλεία .....	211
Τεχνικά δεδομένα.....	217
Καθορισμός εξαρτημάτων .....	218
Οδηγίες συναρμολογήσης.....	219
Πριν την εκκίνηση του κινητήρα.....	220
Εκκίνηση και διακοπή του κινητήρα.....	222
Ρυθμίση του ρελαντι .....	223
Μεθοδος λειτουργίας .....	224
Επιθεωρηση και συντηρηση.....	230
Αποθηκευση.....	233
Επιλυση προβλημάτων .....	235

**ΣΥΜΒΟΛΑ**

Είναι πολύ σημαντικό να κατανοήσετε τα ακόλουθα σύμβολα όταν διαβάσετε αυτό το εγχειρίδιο οδηγιών.

	ΠΡΟΕΙΔΟΠΟΙΗΣΗ/ΚΙΝΔΥΝΟΣ		Να φοράτε αναπνευστική προστασία
	Διαβάστε, κατανοήστε και ακολουθήστε το εγχειρίδιο οδηγιών		Ζεστές επιφάνειες – Εγκαύματα δακτύλων ή χεριών
	Απαγορεύεται		Καύσιμο (Βενζίνη)
	Απαγορεύεται το κάπνισμα		Κινητήρας-χειροκίνητη εκκίνηση
	Όχι γυμνές φλόγες		Διακοπή έκτακτης ανάγκης
	Να φοράτε ανθεκτικές μπότες με αντιολισθητικές σόλες.		Πρώτες βοήθειες
	Να φοράτε κατάλληλο προστατευτικό ρουχισμό		ΕΝΕΡΓΟΠΟΙΗΣΗ/ΕΚΚΙΝΗΣΗ
	Πρέπει να φοράτε προστατευτικά γάντια		ΑΠΕΝΕΡΓΟΠΟΙΗΣΗ/STOP
	Να απομακρύνετε τυχόν παρευρισκόμενους κατά τον ψεκασμό		Βλάβη δακτύλων ή χεριού, λεπίδα στροφέιου
	Κρατήστε όλα τα άτομα και τα ζώα μακριά από την περιοχή εργασίας		Τα μακριά μαλλιά μπορεί να προκαλέσουν ατύχημα μπλεξιματος
	Να φοράτε προστασία ματιών και ωτοασπίδες		Δηλητηριώδεις αναθυμιάσεις ή τοξικά αέρια. Μη θέτετε το μηχάνημα σε λειτουργία σε περιοχή χωρίς εξαέρωση.

## ΣΗΜΑΝΤΙΚΕΣ ΟΔΗΓΙΕΣ ΓΙΑ ΤΗΝ ΑΣΦΑΛΕΙΑ

### ⚠ ΠΡΟΕΙΔΟΠΟΙΗΣΗ:

- Διαβάστε όλες τις προειδοποιήσεις για την ασφάλεια και όλες τις οδηγίες. Η μη τήρηση των προειδοποιήσεων και οδηγιών ενδέχεται να καταλήξει σε ηλεκτροπληξία, πυρκαγιά ή/και σοβαρό τραυματισμό.

### Φυλάξτε όλες τις προειδοποιήσεις και τις οδηγίες για μελλοντική παραπομπή.

#### Γενικές οδηγίες

- Για να εξασφαλίσετε τη σωστή και ασφαλή λειτουργία, ο χρήστης πρέπει να διαβάσει, να κατανοήσει και να ακολουθήσει αυτό το εγχειρίδιο οδηγιών για να εξοικειωθεί με το χειρισμό του ψεκαστήρα (1). Οι χρήστες οι οποίοι δεν διαθέτουν επαρκή ενημέρωση θα θέσουν σε κίνδυνο τους εαυτούς τους και τους άλλους λόγω του ακατάλληλου χειρισμού.
- Συνιστάται να δανειζετε τον ψεκαστήρα μόνο σε άτομα που έχουν αποδείξει ότι έχουν πείρα με ψεκαστήρες.
- Πάντοτε να παραδίδετε το εγχειρίδιο οδηγιών.
- Οι άπειροι χρήστες θα πρέπει να ρωτούν το αντιπρόσωπο για τις βασικές οδηγίες ώστε να εξοικειωθούν με το χειρισμό του ψεκαστήρα.
- Τα παιδιά και τα νεαρά άτομα, ηλικίας κάτω των 18 ετών, δεν πρέπει να χρησιμοποιούν τον ψεκαστήρα. Ωστόσο, άτομα άνω των 16 ετών μπορούν να χρησιμοποιήσουν το μηχάνημα για σκοπούς εκπαίδευσης, μόνο αν επιβλέπονται άμεσα από κατάλληλο εκπαιδευτή.
- Να χρησιμοποιείτε τους ψεκαστήρες με μεγάλη προσοχή.
- Να χειρίζεστε τον ψεκαστήρα μόνο αν βρίσκεστε σε καλή σωματική κατάσταση.
- Να διεξαγάγετε κάθε εργασία ευσυνειδήτητα και με προσοχή. Ο χρήστης πρέπει να αποδεχτεί την ευθύνη των άλλων.
- Μην χρησιμοποιείτε ποτέ τον ψεκαστήρα υπό την επήρεια αλκοόλ ή ναρκωτικών ουσιών (2).
- Μην χρησιμοποιείτε το μηχάνημα όταν είστε κουρασμένοι.
- Φυλάξτε αυτές τις οδηγίες για μελλοντική χρήση.

#### Προοριζόμενη χρήση του μηχανήματος

- Χρησιμοποιήστε το σωστό μηχάνημα. Ο ψεκαστήρας προορίζεται μόνο για τον ψεκασμό υγρών χημικών και άλλων υγρών με σκοπό την καταπολέμηση παράσιτων και ζιζανίων σε κήπους με φρούτα, λουλουδία και λαχανικά, σε δέντρα και θάμνους και σε άλλα φυτά, όπως καφέ, καπνού και βαμβακιού. Είναι επίσης χρήσιμος για τη συντήρηση νεαρών δέντρων, π.χ. για τον έλεγχο του σκολύτη και άλλων παράσιτων και ασθενειών φυτών. Μην το χρησιμοποιείτε ποτέ για οποιονδήποτε άλλο σκοπό.
- Να χρησιμοποιείτε μόνο προϊόντα φυτοπροστασίας τα οποία ο παρασκευαστής τους τα έχει εγκρίνει ειδικά για χρήση με ψεκαστήρες και τα οποία ικανοποιούν όλους τους ισχύοντες κανονισμούς ασφαλείας, πρότυπα και διατάξεις.

Λάβετε πληροφορίες από τον αντιπρόσωπο σχετικά με τον τρόπο λειτουργίας του ψεκαστήρα σας. Τηρήστε όλους τους ισχύοντες τοπικούς κανονισμούς ασφαλείας, πρότυπα και διατάξεις.

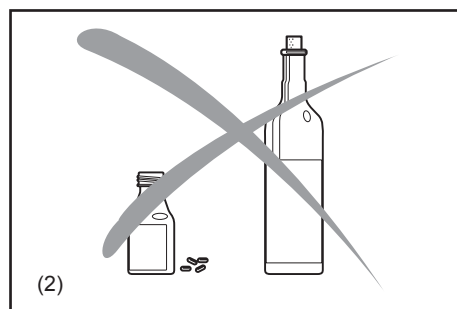
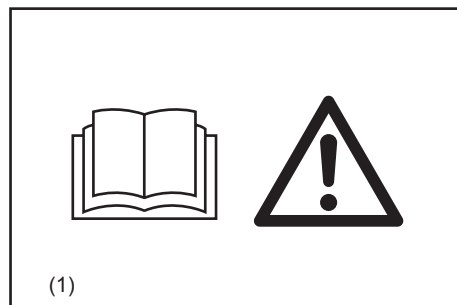
Όλα τα άτομα που ασχολούνται με τη λειτουργία και το σέρβις θα πρέπει να έχουν εκπαιδευτεί και να είναι εξοικειωμένοι με τις διαδικασίες σωστού χειρισμού των χημικών προϊόντων που χρησιμοποιούνται, καθώς και με τις πρώτες βοήθειες/περίθαψη έκτακτων αναγκών και τους κανονισμούς διάθεσης υγρών χημικών.

### ⚠ ΠΡΟΕΙΔΟΠΟΙΗΣΗ:

- Ο ψεκαστήρας σας προορίζεται μόνο για επαγγελματική χρήση. Μην δανειζέστε και μην νοικοιάζετε τον ψεκαστήρα χωρίς να το συνοδεύει το εγχειρίδιο οδηγιών. Βεβαιωθείτε ότι οποιοδήποτε άτομο τον χρησιμοποιεί κατανοεί τις πληροφορίες που περιέχονται στο παρόν εγχειρίδιο οδηγιών.

#### Προσωπικός προστατευτικός εξοπλισμός

- Για να μειωθεί ο κίνδυνος τραυματισμού κατά τη χρήση χημικών προϊόντων, να φοράτε σωστή προστατευτική ενδυμασία όταν γεμίζετε, χρησιμοποιείτε και καθαρίζετε τον ψεκαστήρα. Να τηρείτε πάντα όλες τις οδηγίες του παρασκευαστή των χημικών ουσιών όσον αφορά τη σωστή προστασία ματιών, δέρματος και αναπνευστικού συστήματος. Μπορεί να διαφέρουν και να υπερβαίνουν τις ακόλουθες προφυλάξεις.
- Όταν χρησιμοποιείτε τοξικές χημικές ουσίες, ο χειριστής και οι παρευρισκόμενοι πρέπει να φορούν σωστά τοποθετημένο αναπνευστήρα, εγκεκριμένο για τη χημική ουσία που χρησιμοποιείται. Ανατρέξτε στην επισήμανση του χημικού προϊόντος. Η εισπνοή τοξικών χημικών μπορεί να προκαλέσει σοβαρό ή θανατηφόρο τραυματισμό.
- Ο ρουχισμός που φοράτε θα πρέπει να είναι λειτουργικός και κατάλληλος, δηλαδή να είναι εφαρμοστός αλλά να μην σας παρεμποδίζει. Μην φοράτε κοσμήματα, φαρδιά ρούχα και να μαζεύετε τα μακριά μαλλιά επειδή μπορούν να τραβηχτούν στην είσοδο αέρα. (3)
- Προκειμένου να αποφεύγετε τους τραυματισμούς στο κεφάλι, στα μάτια, στα χέρια ή στα πόδια, καθώς και να προστατεύετε την ακοή σας, πρέπει να χρησιμοποιείτε τον ακόλουθο προστατευτικό εξοπλισμό και προστατευτικό ρουχισμό κατά τη διάρκεια της λειτουργίας του ψεκαστήρα.



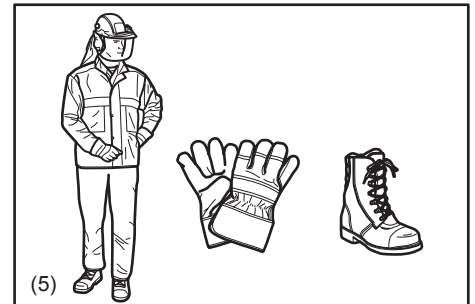
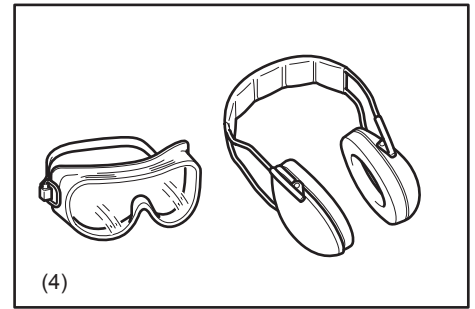
## Να προσέχετε ιδιαίτερα τους ακόλουθους κανονισμούς

- Τα ρούχα πρέπει να είναι ανθεκτικά και στενά, αλλά και να επιτρέπουν την πλήρη ελευθερία κίνησης. Μην φοράτε φαρδιά μπουφάν, παντελόνια με φαρδιά μπατζάκια ή ρεβέρ, κασκόλ, ελεύθερα μακριά μαλλιά ή οτιδήποτε μπορεί να τραβηχτεί στην είσοδο αέρα.

Να φοράτε μακρύ παντελόνι για να προστατεύετε τα πόδια σας.

Μη φοράτε σορτς. (5)

- Ο θόρυβος από τον ψεκαστήρα μπορεί να προκαλέσει ζημιά στην ακοή σας. Φοράτε ηχηρικά φράγματα (ωτοασπίδες ή καλύμματα αυτιών) για να προστατεύσετε την ακοή σας. Οι χρήστες που χρησιμοποιούν το μηχάνημα συνεχόμενα ή τακτικά θα πρέπει να ελέγχουν τακτικά την ακοή τους. (4)
- Να χρησιμοποιείτε πάντα λαστιχένια/ανθεκτικά στα χημικά γάντια όταν εργάζεστε με τον ψεκαστήρα. Το καλό πάτημα είναι πολύ σημαντικό. Να φοράτε λαστιχένιες/ανθεκτικές στα χημικά μπότες. (5)
- Η σωστή προστασία ματιών είναι υποχρεωτική. Παρότι η εκκένωση κατευθύνεται μακριά από το χειριστή, μπορεί να συμβούν προσκρούσεις και αναπηδήσεις κατά τη διάρκεια της λειτουργίας του ψεκαστήρα. (4)
- Μη θέτετε ποτέ τον ψεκαστήρα σε λειτουργία αν δεν φοράτε προστατευτικά γυαλιά ή γυαλιά ασφαλείας με σωστή εφαρμογή και με επαρκή άνω και πλαϊνή προστασία, τα οποία συμμορφώνονται με το πρότυπο ANSI Z 87.1 (ή το ισχύον εθνικό σας πρότυπο).



## ΧΕΙΡΙΣΜΟΣ ΤΩΝ ΧΗΜΙΚΩΝ

- Μερικά χημικά που χρησιμοποιούνται με τον ψεκαστήρα σας μπορεί να περιέχουν τοξικές ή/και καυστικές ουσίες. Τέτοια χημικά μπορεί να είναι επικίνδυνα και να προκαλούν σοβαρό ή θανατηφόρο τραυματισμό σε άτομα και ζώα ή/και σοβαρή ζημιά στα φυτά και στο περιβάλλον.

Αποφύγετε την άμεση επαφή με τα χημικά.

Ακολουθήστε τις οδηγίες του παρασκευαστή των χημικών όσον αφορά οποιαδήποτε επαφή με το προϊόν του.

- Διαβάστε την επισήμανση και το εγχειρίδιο οδηγιών του παρασκευαστή κάθε φορά που αναμιγνύεται ή χρησιμοποιείτε το χημικό και πριν το αποθηκεύσετε ή απορρίψετε.

Μην βασίζεστε στη μνήμη σας.

Η απρόσεκτη ή λανθασμένη χρήση μπορεί να προκαλέσει σοβαρό ή θανατηφόρο τραυματισμό.

- Διαβάστε προσεκτικά τις επισημάνσεις στους περιέκτες χημικών πριν από τη χρήση.

Τα χημικά ταξινομούνται σε κατηγορίες τοξικότητας.

Κάθε κατηγορία θα έχει μοναδικά χαρακτηριστικά χειρισμού.

Εξοικειωθείτε με τα χαρακτηριστικά για την κατηγορία του χημικού που χρησιμοποιείτε.

Τα χημικά μπορούν να χρησιμοποιηθούν μόνο από άτομα που είναι εκπαιδευμένα στο χειρισμό τους καθώς και στα κατάλληλα μέτρα πρώτων βοηθειών.

- Τα χημικά μπορεί να είναι επιβλαβή για ανθρώπους, ζώα και το περιβάλλον αν χρησιμοποιηθούν λανθασμένα. Επιπλέον, συνιστάται να μην χρησιμοποιείτε μερικά χημικά που είναι καυστικά, διαβρωτικά ή δηλητηριώδη με τον ψεκαστήρα σας.

- Να αναμιγνύετε μόνο συμβατά παρασιτοκτόνα. Τα λανθασμένα μείγματα μπορούν να παράγουν τοξικές αναθυμιάσεις.

Όταν χειρίζεστε και ψεκάζετε χημικά, βεβαιωθείτε ότι ενεργείτε σύμφωνα με τους τοπικούς, περιφερειακούς και εθνικούς κανόνες και κατευθυντήριες οδηγίες για την προστασία του περιβάλλοντος. Μην ψεκάζετε όταν έχει δυνατό άνεμο. Για να συμβάλετε στην προστασία του περιβάλλοντος, να χρησιμοποιείτε μόνο τη συνιστώμενη δόση – μην χρησιμοποιείτε υπερβολικές δόσεις.

Προσέχετε ιδιαίτερα κατά τη χρήση κοντά σε λεκάνες απορροής, υδάτινες διόδους, κτλ.

- Αποφεύγετε να ανοίγετε το στόμα σας, π.χ. για να φάτε, να πιείτε ή να καπνίσετε, ενώ χειρίζεστε χημικά ή ενώ ψεκάζετε. Μην φυσάτε ποτέ με το στόμα σας μέσα από τα ακροφύσια, σωλήνες, σωληνώσεις ή άλλο εξάρτημα. Να χειρίζεστε πάντα τα χημικά σε καλά αεριζόμενη περιοχή, ενώ φοράτε κατάλληλα προστατευτικά ρούχα και εξοπλισμό ασφαλείας.

Μην αποθηκεύετε ή μεταφέρετε χημικά μαζί με τρόφιμα, ποτά ή φάρμακα, και μην επαναχρησιμοποιείτε ποτέ ένα δοχείο χημικού για οποιονδήποτε άλλο σκοπό.

Μην μεταφέρετε υγρά χημικά σε άλλα δοχεία, ιδιαίτερα δοχεία για τρόφιμα ή/και ποτά.

- Στην περίπτωση τυχαίας επαφής ή κατάποσης των χημικών ή στην περίπτωση μόλυνσης του ρουχισμού, σταματήστε την εργασία και συμβουλευτείτε αμέσως τις οδηγίες του παρασκευαστή του χημικού.

Αν έχετε αμφιβολίες για τι πρέπει να κάνετε, χωρίς καθυστέρηση ρωτήστε το κέντρο δηλητηριάσεων ή γιατρό για συμβουλές.

Διατηρήστε την επισήμανση του προϊόντος έτοιμη για ανάγνωση ή δείξτε την στα άτομα που συμβουλευέστε.

Καθαρίστε όλες τις εκχύσεις χημικών αμέσως.

Απορρίψτε οποιαδήποτε υπολείμματα τηρώντας τους τοπικούς, περιφερειακούς ή εθνικούς νόμους και κανονισμούς.

- Φυλάξτε τα χημικά μακριά από παιδιά, άλλα μη εξουσιοδοτημένα άτομα και ζώα. Όταν δεν χρησιμοποιούνται, αποθηκεύστε τα χημικά σε ασφαλές και ασφαλισμένο μέρος. Ακολουθήστε τις συστάσεις του παρασκευαστή για τη σωστή αποθήκευση.

## Προετοιμασία χημικών

- Προετοιμάστε τα χημικά διαλύματα σύμφωνα με τις οδηγίες του παρασκευαστή των χημικών.
- Προετοιμάστε διάλυμα σε ποσότητα που επαρκεί μόνο για την εν λόγω εργασία, ώστε να μην απομένει διάλυμα.
- Αναμίξτε χημικά μόνο σύμφωνα με τις οδηγίες – τα λανθασμένα μείγματα μπορούν να παράγουν τοξικές αναθυμιάσεις ή εκρηκτικά μείγματα.
- Μην ψεκάζετε ποτέ μη αραιωμένα χημικά.
- Να προετοιμάζετε το διάλυμα και να γεμίζετε το δοχείο μόνο σε εξωτερικό χώρο, σε καλά αεριζόμενο μέρος.
- Ο χειριστής θα πρέπει να διευκρινίσει το όνομα του χημικού που χρησιμοποιείται τη συγκεκριμένη στιγμή.

## Αποθήκευση

- Μην αποθηκεύετε διάλυμα ψεκασμού στο δοχείο για περισσότερες από μία ημέρες.
- Να αποθηκεύετε και να μεταφέρετε το διάλυμα ψεκασμού μόνο σε εγκεκριμένα δοχεία.
- Μην αποθηκεύετε και μην μεταφέρετε το διάλυμα ψεκασμού σε δοχεία που προορίζονται για φαγητό, ποτά ή ζωοτροφές.
- Μην αποθηκεύετε και μην μεταφέρετε το διάλυμα ψεκασμού μαζί με φαγητό, ποτά ή ζωοτροφές.
- Φυλάξτε το διάλυμα ψεκασμού μακριά από παιδιά, άλλα μη εξουσιοδοτημένα άτομα και ζώα.
- Αποθηκεύστε το διάλυμα ψεκασμού σε κλειδωμένο μέρος, ασφαλισμένο από τη μη εξουσιοδοτημένη χρήση.

## Απόρριψη

Μην απορρίπτετε ποτέ τα υπολείμματα χημικών ή τα ρυπασμένα διαλύματα έκπλυσης σε υδάτινες διόδους, αποχετεύσεις, υπονόμους, υδρορροές, φρεάτια ή παρόμοια.

Όταν απορρίπτετε το ρυπασμένο έκπλυμα, να τηρείτε όλους τους ισχύοντες νόμους, κανονισμούς και διατάξεις.

Τηρήστε αυστηρά τις προφυλακτικές οδηγίες του παρασκευαστή χημικών.

## Γέμισμα του δοχείου

- Σφίξτε όλες τις συνδέσεις και ελέγξτε για να βεβαιωθείτε ότι όλες οι σωληνώσεις, καθώς και ο σωλήνας, είναι καλά ασφαλισμένες και σε καλή κατάσταση. Διατηρήστε κλειστό το μοχλό εκκένωσης διαλύματος.
- Πριν χρησιμοποιήσετε τον ψεκαστήρα με χημικά, γεμίστε το με φρέσκο νερό για να βεβαιωθείτε ότι το έχετε συναρμολογήσει σωστά και εξασκηθείτε στον ψεκασμό. Επίσης, ελέγξτε για τυχόν διαρροές αυτή τη στιγμή. Όταν είστε πλέον εξοικειωμένοι με τη λειτουργία του ψεκαστήρα, ακολουθήστε τις κανονικές διαδικασίες λειτουργίας.
- Γεμίστε τον ψεκαστήρα σας σε καλά αεριζόμενες περιοχές, σε εξωτερικό χώρο.
- Να μην χρησιμοποιείτε:
  - εύφλεκτες ουσίες στον ψεκαστήρα, οι οποίες μπορεί να προκαλέσουν έκρηξη έχοντας ως αποτέλεσμα σοβαρό ή θανατηφόρο τραυματισμό,
  - καυστικά ή διαβρωτικά υλικά στον ψεκαστήρα, τα οποία μπορούν να έχουν ως αποτέλεσμα ζημιά στη μονάδα,
  - υγρά με θερμοκρασία άνω των 50°C για να μειωθεί ο κίνδυνος πρόκλησης εγκαυμάτων και ζημιάς στη μονάδα.

Για να γεμίσετε το δοχείο διαλύματος, τοποθετήστε τον ψεκαστήρα σε μια επίπεδη επιφάνεια, γεμίστε το διάλυμα μόνο με καλό φωτισμό και ορατότητα. Για να μειωθεί ο κίνδυνος ρύπανσης του γύρω περιβάλλοντος, προσέχετε να μην γεμίσετε υπερβολικά το δοχείο διαλύματος με χημικό διάλυμα.

Για να μειώσετε τον κίνδυνο πρόκλησης τραυματισμού, μη γεμίζετε τον ψεκαστήρα ενώ τον φοράτε στην πλάτη σας.

Αν γεμίσετε τη δεξαμενή διαλύματος με έναν εύκαμπτο σωλήνα συνδεδεμένο σε κεντρική παροχή νερού, βεβαιωθείτε ότι το άκρο του εύκαμπτου σωλήνα βρίσκεται εκτός του διαλύματος, ώστε να μειωθεί ο κίνδυνος ανάστροφης ροής, δηλ. τα χημικά να αναρροφηθούν μέσα στην παροχή νερού στην περίπτωση αιφνίδιας υποπίεσης.

Υπολογίστε τη σωστή ποσότητα χημικού διαλύματος για να χρησιμοποιηθεί μονομιάς, χωρίς να απομένει επιπλέον διάλυμα μέσα στο δοχείο.

Μετά το γέμισμα, τοποθετήστε το καπάκι του δοχείου διαλύματος και σφίξτε το καλά.

- Ελέγξτε για διαρροές ενώ ανεφοδιάζετε και κατά τη διάρκεια της λειτουργίας. Μια διαρροή από το δοχείο διαλύματος ή χαλαρή σύνδεση θα μπορούσε να διαποτίσει τα ρούχα σας και να έρθει σε επαφή με το δέρμα σας.

## Εκκίνηση του ψεκαστήρα

- Βεβαιωθείτε ότι δεν υπάρχουν παιδιά ή άλλα άτομα εντός εύρους εργασίας 20 μέτρων (6), αλλά και να προσέχετε μην μπουν οποιαδήποτε ζώα κοντά στο χώρο εργασίας.

Μην χρησιμοποιείτε ποτέ τον ψεκαστήρα σε αστικές περιοχές.

- Πριν τη λειτουργία, να ελέγχετε πάντα ότι ο ψεκαστήρας είναι ασφαλής για λειτουργία:

Ελέγξτε την ασφάλεια της σκανδάλης γκαζιού. Πρέπει να ελέγχετε τη σκανδάλη γκαζιού για ομαλή και εύκολη κίνηση. Ελέγξτε τη σωστή λειτουργία της ασφάλειας της σκανδάλης γκαζιού.

Ελέγξτε ότι οι λαβές είναι καθαρές και στεγνές και ελέγξτε τη λειτουργία του διακόπτη λειτουργίας (I-O). Διατηρήστε τις λαβές καθαρές από λάδι και καύσιμο.

- Για να μειώσετε τον κίνδυνο διαρροής και επαφής των χημικών με το δέρμα, ελέγξτε ότι το καπάκι του δοχείου και όλες οι συνδέσεις στη διαδρομή ψεκασμού είναι σφικτές, καθώς και βεβαιωθείτε ότι ο εύκαμπτος σωλήνας είναι καλά ασφαλισμένος και σε καλή κατάσταση. Διατηρήστε κλειστό το μοχλό εκκένωσης διαλύματος.
- Βεβαιωθείτε ότι ο μοχλός εκκένωσης διαλύματος είναι κλειστός πριν εκκινήσετε το μηχάνημα.
- Ελέγξτε ότι το καπάκι μπουζί είναι καλά στερεωμένο στο μπουζί – ένα χαλαρό καπάκι μπουζί μπορεί να προκαλέσει σπινθηρισμό που μπορεί να αναφλέξει καύσιμες αναθυμιάσεις και να προκαλέσει πυρκαγιά.
- Ελέγξτε την κατάσταση των ιμάντων εξάρτυσης και αντικαταστήστε τους κατεστραμμένους ή φθαρμένους ιμάντες.
- Ρυθμίστε τον ιμάντα ώμου για να ταιριάζει με το μέγεθός σας πριν ξεκινήσετε την εργασία.

Σε έκτακτη ανάγκη, μπορείτε να βγάλετε τον ιμάντα ώμου και να πετάξετε το μηχάνημα γρήγορα. Εξασκηθείτε να βγάξετε την εξάρτυση αρκετές φορές πριν χρησιμοποιήσετε το μηχάνημα, για να είστε εξοικειωμένοι με αυτό. Μην πετάξετε το μηχάνημα ενώ κάνετε εξάσκηση, επειδή μπορεί να προκληθεί ζημιά στο μηχάνημα.

- Όταν τραβάτε τη λαβή εκκινήτρια, μην τυλίγετε το σχοινί εκκινήτρια γύρω από το χέρι σας. Μην αφήσετε τη λαβή εκκινήτρια να εκτιναχτεί προς τα πίσω, αλλά να καθοδηγείτε το σχοινί εκκινήτρια για να το περιτυλίγετε σωστά.

Αν δεν ακολουθήσετε αυτή τη διαδικασία, μπορεί να έχει ως αποτέλεσμα τραυματισμό του χεριού ή των δαχτύλων σας, αλλά και μπορεί να προκληθεί ζημιά στο μηχανισμό εκκινήτρια.

- Μπορεί να απαιτηθεί η βοήθεια ενός άλλου ατόμου κατά την τοποθέτηση του ψεκαστήρα στην πλάτη σας μετά την εκκίνηση. Προκειμένου να μειώσετε τον κίνδυνο πρόκλησης τραυματισμού στο βοηθό από εκτινασσόμενα αντικείμενα, από τον ψεκασμό χημικού/υγρού ή από την επαφή με ζεστές αναθυμιάσεις καυσαερίων, διατηρήστε τον κινητήρα στο ρελαντί κατά τη διάρκεια αυτής της σύντομης περιόδου και μην αφήσετε τον βοηθό να σταθεί στην περιοχή του ακροφυσίου εξόδου ή της εξάτμισης. Διαφορετικά, ο ψεκαστήρας θα πρέπει να εκκινήσει και να χρησιμοποιηθεί χωρίς βοήθεια.

- Εκκινήστε τον ψεκαστήρα μόνο σύμφωνα με τις οδηγίες.
- Μην χρησιμοποιείτε οποιαδήποτε άλλη μέθοδο για την εκκίνηση του κινητήρα (7)!
- Χρησιμοποιήστε τον ψεκαστήρα και τα αξεσουάρ που παρέχονται μόνο για τις καθορισμένες εφαρμογές.
- Εκκινήστε τον κινητήρα του ψεκαστήρα μόνο αφού έχετε συναρμολογήσει ολόκληρο το μηχάνημα. Η λειτουργία του μηχανήματος επιτρέπεται μόνο αφού συνδεθούν όλα τα κατάλληλα αξεσουάρ.
- Ο κινητήρας πρέπει να απενεργοποιηθεί αμέσως αν υπάρχουν προβλήματα με τον κινητήρα.
- Χρησιμοποιήστε τον ψεκαστήρα για λειτουργία με ένα χέρι, με το δεξί χέρι στη λαβή ελέγχου. Μεταφέρετε ως σακίδιο πλάτης, με τους ιμάντες ώμου πάνω από τους δύο ώμους.

Για να μειώσετε τον κίνδυνο απώλειας ελέγχου, μη μεταφέρετε ποτέ τον ψεκαστήρα με τον(ους) ιμάντα(ες) στον έναν ώμο.

- Όταν εργάζεστε με τον ψεκαστήρα, να τυλίγετε τα δάχτυλά σας σφιχτά γύρω από τη λαβή, διατηρώντας τη λαβή ελέγχου μεταξύ του αντίχειρα και δείκτη σας. Διατηρήστε το χέρι σας σε αυτή τη θέση για να έχετε το μηχάνημα πάντα υπό τον έλεγχό σας. Βεβαιωθείτε ότι η λαβή ελέγχου βρίσκεται σε καλή κατάσταση και χωρίς υγρασία, κόλλα, λάδι ή γράσο.

- Να εξασφαλίζετε πάντα ασφαλές και ισορροπημένο πάτημα.
- Για να διατηρείτε το δοχείο διαλύματος όρθιο και να μειώσετε τον κίνδυνο έκχυσης, μη λυγίζετε τη μέση σας. Να λυγίζετε μόνο τα γόνατά σας και να στηρίζετε τον εαυτό σας όπως απαιτείται για να εξασφαλίζετε σωστή ισορροπία.

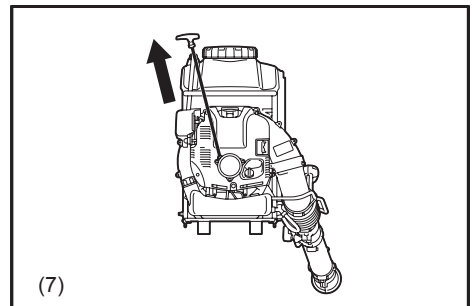
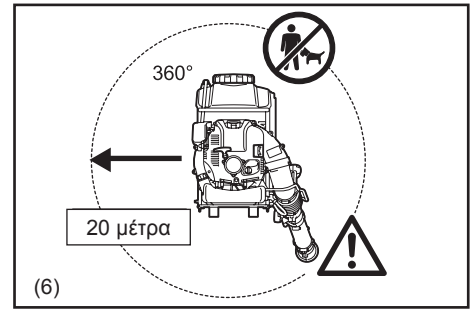
Να θυμάστε ότι ένας ψεκαστήρας γεμάτος υγρό έχει αρκετά μεγάλο βάρος.

Προσέχετε ιδιαίτερα όταν σκύβετε, γέρνετε ή περπατάτε.

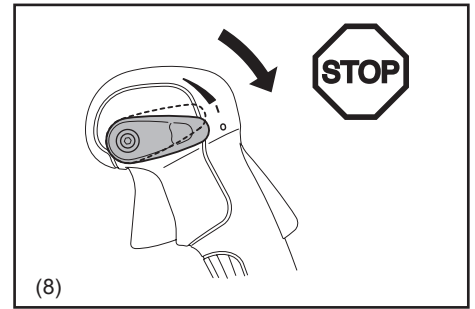
- Να θέτετε τον ψεκαστήρα σε λειτουργία με τρόπο ώστε να αποφεύγετε την εισπνοή των καυσαερίων. Μην θέτετε τον κινητήρα σε λειτουργία σε κλειστά δωμάτια (υπάρχει κίνδυνος ασφυξίας και δηλητηρίασμού από αέριο). Το μονοξείδιο του άνθρακα είναι ένα άοσμο αέριο.

Να βεβαιώνετε ότι υπάρχει πάντα επαρκής εξαερισμός.

- Ο ψεκαστήρας σας δεν είναι μονωμένος για να μην μπορεί να συμβεί ηλεκτροπληξία. Για να μειώσετε τον κίνδυνο ηλεκτροπληξίας, μη χρησιμοποιείτε ποτέ τον ψεκαστήρα κοντά σε οποιαδήποτε σύρματα ή καλώδια (ηλεκτρικά, κτλ.) που μπορεί να φέρουν ηλεκτρικό ρεύμα. Μην ψεκάτε ηλεκτρικές εγκαταστάσεις ή κοντά σε αυτές.

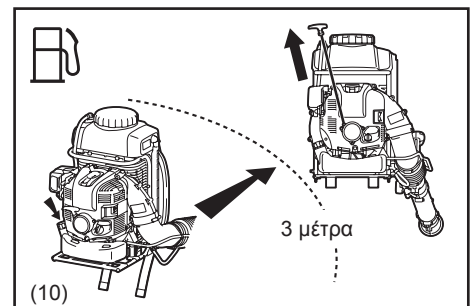
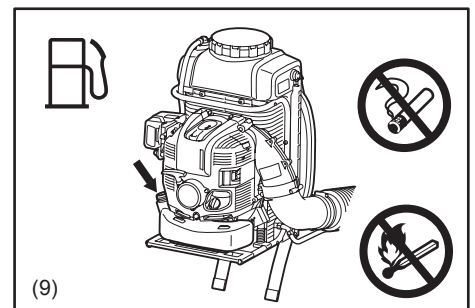


- Σβήστε τον κινητήρα όταν ξεκουράζεστε ή αφήνετε τον ψεκαστήρα ανεπιτήρητο. Τοποθετήστε τον σε ασφαλή τοποθεσία ώστε να αποφεύγεται ο κίνδυνος για άλλους, η ανάφλεξη των καυσίμων υλικών ή η πρόκληση ζημιάς στο μηχάνημα (8).
- Μην αφήνετε ποτέ τον ζεστό ψεκαστήρα σε ξηρό χορτάρι ή επάνω σε καύσιμα υλικά.
- Μην τοποθετείτε τον ψεκαστήρα στο έδαφος όταν λειτουργεί με υψηλή ταχύτητα, επειδή μικρά αντικείμενα όπως άμμος, γρασίδι, σκόνη, κτλ. μπορούν να αναρροφηθούν στην είσοδο αέρα και να προκαλέσουν ζημιά στον τροχό του ανεμιστήρα.
- Στα διαλείμματα, μην αφήνετε τον ψεκαστήρα στην άμεση ηλιοβολή ή κοντά σε οποιαδήποτε πηγή θερμότητας.
- Κατά τη διάρκεια της λειτουργίας, πρέπει να χρησιμοποιούνται όλα τα προστατευτικά εξαρτήματα και προφυλακτήρες που παρέχονται με το μηχάνημα.
- Μη θέτετε τον κινητήρα ποτέ σε λειτουργία με ελαττωματικό σιγαστήρα καυσαερίων.
- Μην βάζετε το χέρι σας μέσα στο άνοιγμα καυσαερίων. Ο σιγαστήρας θερμαίνεται πάρα πολύ κατά τη λειτουργία και μπορεί να προκαλέσει εγκαύματα.
- Μην αγγίζετε το κάλυμμα του κινητήρα για πολύ χρόνο. Θερμαίνεται πάρα πολύ κατά τη λειτουργία και μπορεί να προκαλέσει εγκαύματα.
- Σβήστε τον κινητήρα κατά τη μεταφορά (8).
- Για να αποφευχθεί η διαρροή καυσίμου, τοποθετήστε τον ψεκαστήρα με ασφάλεια κατά τη μεταφορά σε αυτοκίνητο ή φορτηγό.
- Όταν μεταφέρετε τον ψεκαστήρα, βεβαιωθείτε ότι το ρεζερβουάρ καυσίμου και το δοχείο υγρού/χημικών είναι εντελώς άδεια.



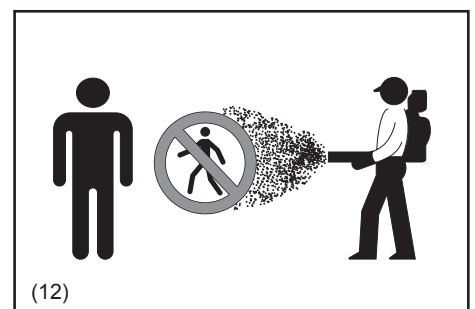
### Ανεφοδιασμός

- Κατά τον ανεφοδιασμό καυσίμου, να σβήνετε τον κινητήρα (8), να είστε μακριά από τις γυμνές φλόγες (9) και να μην καπνίζετε.
- Αποφύγετε την επαφή πετρελαϊκών προϊόντων με το δέρμα. Μην εισπνέετε τον ατμό του καυσίμου.  
Να φοράτε πάντα προστατευτικά γάντια κατά τον ανεφοδιασμό καυσίμου. Να αλλάζετε και να καθαρίζετε τον προστατευτικό ρουχισμό σε τακτά διαστήματα.
- Δώστε προσοχή ώστε να μην ρίξετε κάτω καύσιμο ή λάδια για την αποφυγή της ρύπανσης του εδάφους (προστασία του περιβάλλοντος). Να καθαρίζετε τον ψεκαστήρα αμέσως μετά από μια έκχυση καυσίμου. Να αφήνετε τα βρεγμένα πανιά να στεγνώσουν πριν τα απορρίψετε σε κατάλληλο, καλυμμένο δοχείο, προκειμένου να αποφευχθεί η αυθόρμητη καύση.
- Αποφύγετε την οποιαδήποτε επαφή του καυσίμου με τα ρούχα σας. Να αλλάζετε αμέσως τα ρούχα σας αν έχει χυθεί καύσιμο σε αυτά (κίνδυνος πυρκαγιάς).
- Να ελέγχετε την τάπα ρεζερβουάρ καυσίμου σε τακτά χρονικά διαστήματα και να βεβαιώνετε ότι παραμένει σφιστά κλεισμένη.
- Να σφίγγετε προσεκτικά τη βίδα κλειδώματος του ρεζερβουάρ καυσίμου. Αλλάξτε τοποθεσία για να βάλετε μπρος τον κινητήρα (τουλάχιστον 3 μέτρα μακριά από τη θέση ανεφοδιασμού) (10).
- Μην ανεφοδιάζετε ποτέ σε κλειστά δωμάτια. Οι ατμοί καυσίμου συσσωρεύονται στο επίπεδο του εδάφους (κίνδυνος εκρήξεων).
- Να μεταφέρετε και να αποθηκεύετε το καύσιμο σε κατάλληλα δοχεία. Βεβαιωθείτε ότι το αποθηκευμένο καύσιμο δεν είναι προσβάσιμο σε παιδιά.
- Μην επιχειρήσετε τον ανεφοδιασμό με ζεστό κινητήρα ή κινητήρα που βρίσκεται σε λειτουργία.



### Μέθοδος λειτουργίας

- Να χρησιμοποιείτε τον ψεκαστήρα μόνο με καλό φωτισμό και ορατότητα. Κατά τις κρύες εποχές, να προσέχετε τις ολισθηρές ή βρεγμένες περιοχές, τον πάγο και το χιόνι (κίνδυνος ολίσθησης).  
Να έχετε πάντα ένα ασφαλές πάτημα (11).
- Μην εργάζεστε ποτέ σε ασταθές έδαφος ή σε απότομη κλίση (11).
- Αν δεν γνωρίζετε τους κινδύνους που συσχετίζονται με το συγκεκριμένο χημικό που χρησιμοποιείτε, διαβάστε προσεκτικά την επισήμανση προϊόντος ή/και το δελτίο δεδομένων ασφαλείας υλικών για τη συγκεκριμένη ουσία ή/και συμβουλευτείτε τον παρασκευαστή/προμηθευτή του υλικού.  
Επίσης, μπορείτε να ρωτήσετε τον εργοδότη, τις δημόσιες αρχές και άλλες πηγές για πληροφορίες σχετικά με επικίνδυνα υλικά.  
Μερικές άλλες αρχές, έχουν δημοσιεύσει καταλόγους ουσιών για τις οποίες είναι γνωστό ότι προκαλούν καρκίνο, αναπαραγωγική τοξικότητα, κτλ. (11).
- Για να μειώσετε τον κίνδυνο προσωπικού τραυματισμού, μην κατευθύνετε τον αέρα εμφύσησης προς τους παρευρισκόμενους, επειδή η υψηλή πίεση της ροής αέρα μπορεί να προκαλέσει τραυματισμό στα μάτια και να παρασύρει μικρά αντικείμενα με μεγάλη ταχύτητα (12).
- Μην ψεκάζετε ποτέ προς την κατεύθυνση όπου υπάρχουν άνθρωποι, ζώα ή ιδιοκτησία που μπορούν να τραυματιστούν ή να καταστραφούν με τον ψεκασμό (12).
- Μην εισαγάγετε ποτέ ξένα αντικείμενα στην είσοδο αέρα του μηχανήματος ή μέσα στο ακροφύσιο του ψεκαστήρα. Θα προκληθεί ζημιά στον τροχό ανεμιστήρα και μπορεί να προκληθεί σοβαρός τραυματισμός στο χειριστή ή στους παρευρισκόμενους ως αποτέλεσμα της ρίψης του αντικειμένου ή σπασμένων κομματιών με μεγάλη ταχύτητα.
- Προσέχετε την κατεύθυνση του ανέμου, δηλ. μην εργάζεστε αντίθετα από τον άνεμο.
- Για να μειώσετε τον κίνδυνο σκοντάμματος και απώλειας ελέγχου, μην περπατάτε προς τα πίσω (όπισθεν) ενώ χειρίζεστε το μηχάνημα.
- Να σβήνετε πάντα τον κινητήρα πριν καθαρίσετε ή συντηρήσετε τη μονάδα ή αντικαταστήσετε εξαρτήματα.
- Κάντε ένα διάλειμμα για να αποφύγετε την απώλεια του ελέγχου που προκαλείται από την κόπωση. Σας συνιστούμε να κάνετε 10 έως 20 λεπτά διάλειμμα κάθε ώρα.

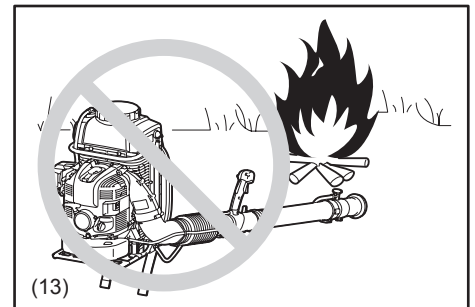


## Αφού ολοκληρωθεί η εργασία

- Να πλένεστε πάντα πολύ σχολαστικά με σαπούνι και νερό αφού ψεκάσετε ή χειριστείτε χημικά. Κάντε αμέσως ντους, και πλύντε όλα τα προστατευτικά ρούχα ξεχωριστά από άλλα αντικείμενα.  
Ακολουθήστε οποιοσδήποτε επιπρόσθετος συστάσεις του παρασκευαστή χημικών. Να καθαρίζετε πάντα τη σκόνη και τη βρομιά από τον ψεκαστήρα.
- Αδειάστε, εκπλύντε και καθαρίστε το δοχείο διαλύματος και συναρμολογήστε το μετά από κάθε χρήση. Αυτό βοηθάει ώστε να εμποδίζεται η κρυστάλλωση του διαλύματος, η οποία μπορεί αργότερα να προκαλέσει το φράξιμο και τη χημική ζημιά στη μονάδα. Επιπλέον, τα υπολείμματα χημικών μπορεί να έχουν ανεπιθύμητες επιπτώσεις κατά τον επακόλουθο ψεκασμό με διαφορετικό τύπο χημικού (π.χ. υπολείμματα ζιζανιοκτόνου μπορεί να καταστρέψει ή να σκοτώσει φυτά που ψεκάζονται με παρασιτοκτόνο).  
Μην αποθηκεύετε τον ψεκαστήρα με το διάλυμα ψεκασμού εντός του δοχείου ψεκασμού.
- Κρατήστε τα παιδιά, ανυποψίαστα άτομα και κατοικίδια μακριά από τις περιοχές που μόλις έχουν ψεκαστεί.  
Μετά τη χρήση ορισμένων χημικών, ιδιαίτερα αγροτικών παρασιτοκτόνων, πρέπει να αναρτηθεί μια ειδοποίηση στην ψεκασμένη περιοχή που να δηλώνει ότι υπάρχει σε ισχύ «Περιορισμός εισόδου».  
Δείτε την επισήμανση του χημικού προϊόντος και οποιοσδήποτε ισχύοντες κυβερνητικούς κανονισμούς.

## Οδηγίες συντήρησης

- Εκτελέστε καθαρισμό και συντήρηση πριν την αποθήκευση.
- Να προσέχετε το περιβάλλον. Να θέτετε τον ψεκαστήρα σε λειτουργία με όσο το δυνατό λιγότερο θόρυβο και μόλυνση. Συγκεκριμένα, ελέγξτε τη σωστή ρύθμιση του καρμπυρατέρ.
- Καθαρίστε τον ψεκαστήρα σε τακτά χρονικά διαστήματα και ελέγξτε ότι όλες οι βίδες και παξιμάδια είναι καλά σφιγμένα.
- Μην συντηρείτε και μην αποθηκεύετε τον ψεκαστήρα κοντά σε γυμνές φλόγες, σπινθήρες, κτλ. (13).
- Να αποθηκεύετε πάντα τον ψεκαστήρα σε ένα καλά αεριζόμενο κλειδωμένο δωμάτιο, με άδειο το ρεζερβουάρ καυσίμου και άδειο το δοχείο διαλύματος.



**Τηρήστε και ακολουθήστε όλες τις σχετικές οδηγίες πρόληψης ατυχημάτων που εκδόθηκαν από τους εμπορικούς οργανισμούς και τις εταιρείες ασφαλίσεων.**

**Μην εκτελείτε καμία τροποποίηση στον ψεκαστήρα επειδή έτσι θα διακινδυνευτεί η ασφάλειά σας.**

Η εκτέλεση εργασιών συντήρησης ή επισκευής από το χρήστη περιορίζεται στις εργασίες εκείνες που περιγράφονται στο παρόν εγχειρίδιο οδηγιών. Όλες οι άλλες εργασίες πρέπει να πραγματοποιούνται από εξουσιοδοτημένους αντιπροσώπους σέρβις.

Να χρησιμοποιείτε μόνο γνήσια ανταλλακτικά και αξεσουάρ που παρέχει η DOLMAR.

Η χρήση μη εγκεκριμένων αξεσουάρ και μηχανημάτων σημαίνει αυξημένο κίνδυνο ατυχημάτων και τραυματισμών. Η DOLMAR δεν θα αποδεχτεί την ευθύνη για ατυχήματα ή ζημιές που προκλήθηκαν από τη χρήση οποιωνδήποτε μη εγκεκριμένων προσαρτημάτων ή αξεσουάρ.

## Πρώτες βοήθειες

Για περίπτωση ατυχήματος, βεβαιωθείτε ότι διατίθεται ολοκληρωμένο κιτ πρώτων βοηθειών κοντά στο χώρο των εργασιών. Αντικαταστήστε αμέσως οποιαδήποτε αντικείμενα αφαιρέσετε από το κιτ πρώτων βοηθειών.

Όταν ζητάτε βοήθεια, παρακαλώ παράσχετε τις ακόλουθες πληροφορίες:

- Τόπος του ατυχήματος
- Τι συνέβη
- Αριθμός τραυματισμένων ατόμων
- Έκταση των τραυματισμών
- Το όνομά σας



## Συσκευασία

Ο ψεκαστήρας DOLMAR παραδίδεται σε προστατευμένο χαρτοκιβώτιο, για να αποφευχθούν οι ζημιές κατά την αποστολή. Το χαρτόνι είναι μια βασική πρώτη ύλη και συνεπώς μπορεί να επαναχρησιμοποιηθεί και είναι κατάλληλο για ανακύκλωση (ανακύκλωση απόβλητου χαρτιού).

## ΦΥΛΑΞΤΕ ΤΙΣ ΟΔΗΓΙΕΣ ΑΥΤΕΣ.

### ⚠ ΠΡΟΕΙΔΟΠΟΙΗΣΗ:

- ΜΗΝ επιτρέψετε στην άνεση ή στην εξοικείωσή σας με το προϊόν (που αποκτήθηκε από επανειλημμένη χρήση) να αντικαταστήσει την αυστηρή τήρηση των κανόνων ασφαλείας του παρόντος εργαλείου. ΚΑΚΗ ΧΡΗΣΗ ή αμέλεια να ακολουθήσετε τους κανόνες ασφαλείας που διατυπώνονται σ' αυτό το εγχειρίδιο οδηγιών μπορεί να προκαλέσει σοβαρό προσωπικό τραυματισμό.



Για ευρωπαϊκές χώρες μόνο

## Δήλωση συμμόρφωσης ΕΚ

Η Makita δηλώνει ότι τα ακόλουθα μηχανήματα:

Χαρακτηρισμός μηχανήματος: Βενζινοκίνητος ψεκαστήρας

Αρ. μοντέλου/ Τύπος: SP-7650.4 R

Προδιαγραφές: Δείτε πίνακα «ΤΕΧΝΙΚΑ ΔΕΔΟΜΕΝΑ»

Συμμορφώνονται με τις ακόλουθες Ευρωπαϊκές Οδηγίες:

2006/42/EK, 2000/14/EK

Κατασκευάζονται σύμφωνα με τα ακόλουθα πρότυπα ή έγγραφα τυποποίησης:

EN ISO 28139, ISO 10988

Το αρχείο τεχνικών στοιχείων, σύμφωνα με την Οδηγία 2006/42/EK, διατίθεται από:

Makita, Jan-Baptist Vinkstraat 2, 3070, Βέλγιο

Η διαδικασία εκτίμησης συμμόρφωσης που απαιτείται από την Οδηγία 2000/14/EK εκτελέστηκε σύμφωνα με το Παράρτημα V.

Μετρούμενο επίπεδο ηχητικής ισχύος: 110,1 dB

Εγγυημένο επίπεδο ηχητικής ισχύος: 111 dB

8.7.2014

Yasushi Fukaya

Διευθυντής

Makita, Jan-Baptist Vinkstraat 2, 3070, Βέλγιο

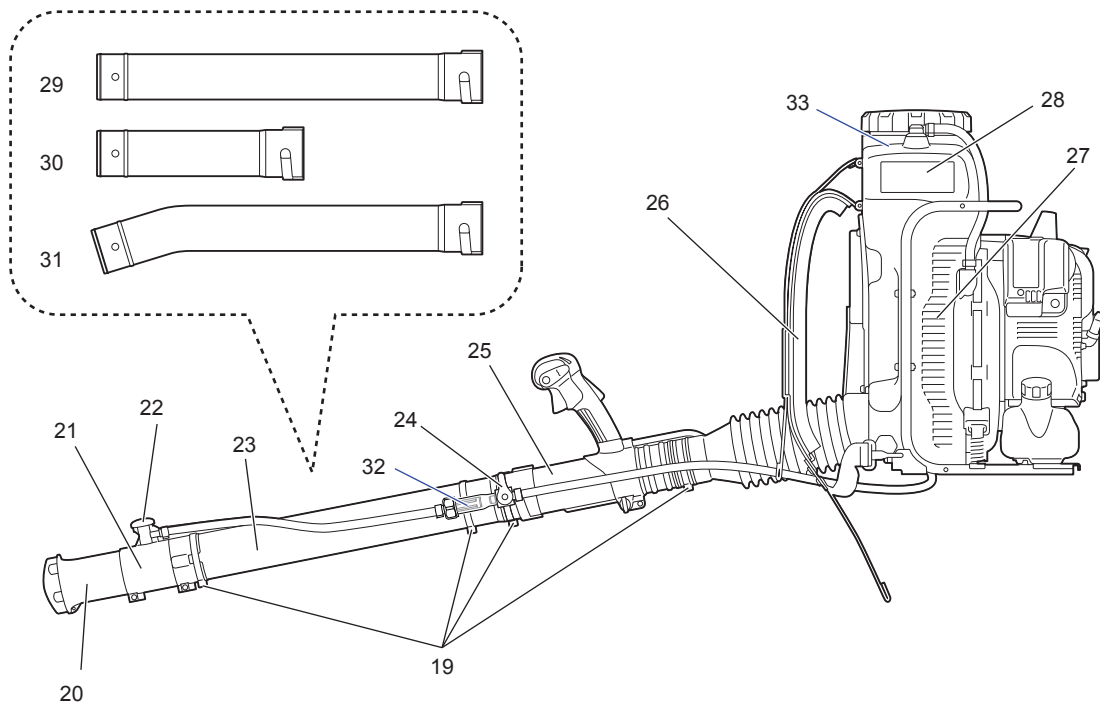
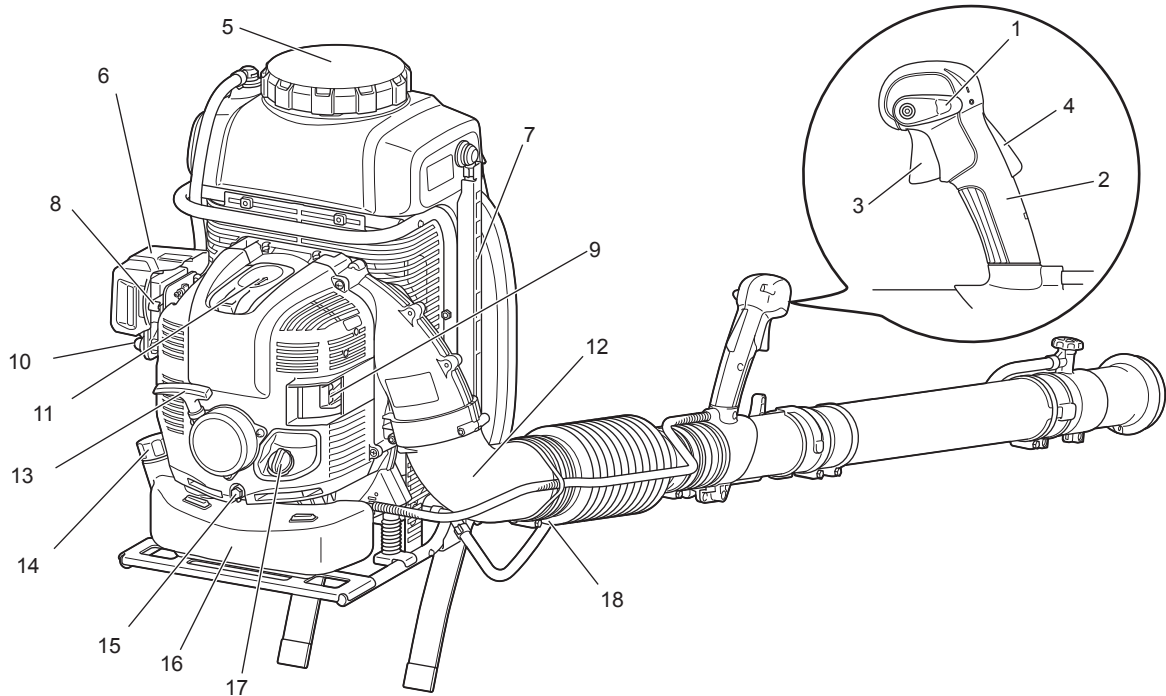
## ΤΕΧΝΙΚΑ ΔΕΔΟΜΕΝΑ

Μοντέλο		SP-7650.4 R	
Βάρος (με γεμάτο καύσιμο, γεμάτο χημικό, 220 ml λάδι κινητήρα)	(kg)	30,4	
Βάρος (ξηρό βάρος)	(kg)	14,1	
Διαστάσεις (χωρίς σωλήνα φυσητήρα M x Π x Υ)	(mm)	420 x 440 x 595	
Τύπος κινητήρα		Αερόψυκτος, 4-χρονος, μονοκύλινδρος	
Μέγ. απόδοση κινητήρα	(kW)	2,7	
Μέγιστες στροφές κινητήρα	(min <sup>-1</sup> )	7.400	
Στροφές ρελαντί	(min <sup>-1</sup> )	2.800	
Εκτόπισμα κινητήρα	(cm <sup>3</sup> )	75,6	
Καύσιμο		Βενζίνη αυτοκινήτων	
Χωρητικότητα ρεζερβουάρ καυσίμου	(L)	1,8	
Λάδι κινητήρα		Τάξη SF βαθμού API ή υψηλότερη, λάδι SAE 10W-30 (λάδι 4-χρονων κινητήρων αυτοκινήτων)	
Όγκος λαδιού κινητήρα	(L)	0,22	
Καρμπυρατέρ (διάφραγμα-καρμπυρατέρ)		WALBRO WYK	
Μπουζί		NGK CMR6A	
Διάκενο ηλεκτροδίων	(mm)	0,7 – 0,8	
Χωρητικότητα δοχείου διαλύματος	(L)	15,0	
Εμβέλεια ψεκασμού (οριζόντια / κάθετα)	(m)	16 / 13	
Μέγ. ταχύτητα αέρα	(m/s)	85	
Παροχή αέρα	(m <sup>3</sup> /min)	14,1	
Δόνηση σύμφωνα με το ISO 22867	a <sub>nv eq</sub>	(m/s <sup>2</sup> )	2,7
	Αβεβαιότητα K	(m/s <sup>2</sup> )	0,8
Στάθμη ηχητικής πίεσης αντιπροσωπευτική του ISO 22868	L <sub>PA eq</sub>	dB (A)	95,4
	Αβεβαιότητα K	dB (A)	2,9
Στάθμη ηχητικής ισχύος αντιπροσωπευτική του ISO 22868	L <sub>WA eq</sub>	dB (A)	110,1
	Αβεβαιότητα K	dB (A)	1,3

Παρατήρηση:

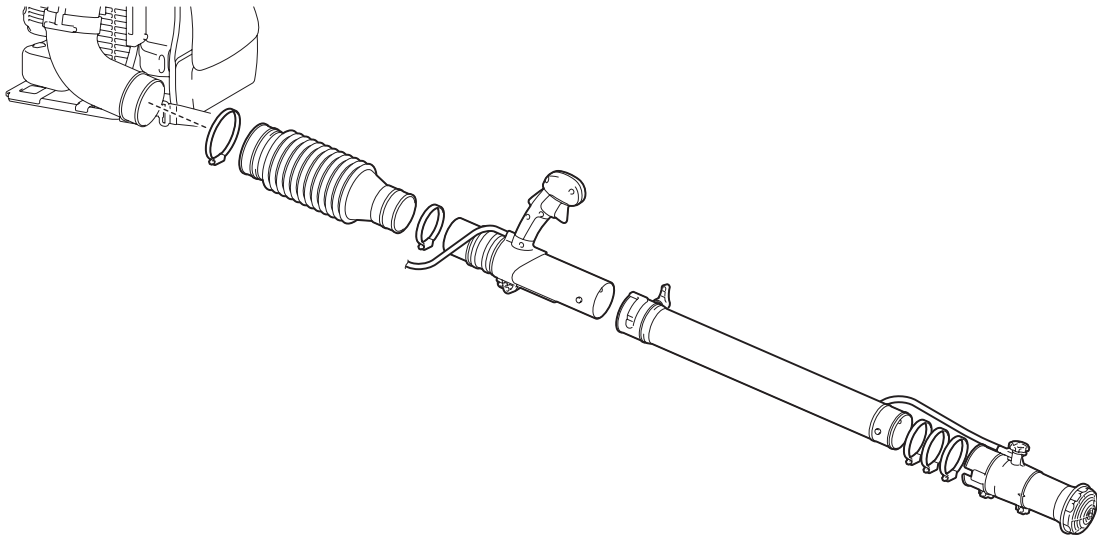
- Χρησιμοποιήστε το λάδι και το μπουζί που καθορίζεται στον πίνακα.
- Αυτή η προδιαγραφή υπόκειται σε αλλαγές χωρίς προηγούμενη ειδοποίηση.
- Χρησιμοποιήστε τη γραμμή στάθμης 10 λίτρων ως κατευθυντήρια γραμμή για το μεικτό βάρος 25 κιλών του ψεκαστήρα μαζί με το διάλυμα.
- Τα επίπεδα κραδασμών και θορύβου μετρώνται χρησιμοποιώντας τον ευθύ σωλήνα (μακρύ).

## ΚΑΘΟΡΙΣΜΟΣ ΕΞΑΡΤΗΜΑΤΩΝ



1. Μοχλός ελέγχου διακοπής	12. Γωνία	23. Ίσιος σωλήνας
2. Λαβή ελέγχου	13. Λαβή εκκινήτη	24. Μοχλός εκκένωσης διαλύματος
3. Σκανδάλη γκαζιού	14. Τάπα ρεζερβουάρ καυσίμου	25. Περιστρεφόμενος σωλήνας
4. Μοχλός ασφάλισης	15. Μπουλόνι αποστράγγισης λαδιού	26. Ιμάντας ώμου
5. Καπάκι δοχείου διαλύματος	16. Ρεζερβουάρ καυσίμου	27. Δίχτυ εισόδου αέρα
6. Κάλυμμα φίλτρου αέρα	17. Τάπα λαδιού	28. Δοχείο διαλύματος
7. Σωλήνας για έλεγχο στάθμης διαλύματος	18. Σφιγκτήρας εύκαμπτου σωλήνα (διαμέτρου 100 mm)	29. Ίσιος σωλήνας (μακρύς) (προαιρετικό αξεσουάρ)
8. Μοχλός τσοκ	19. Σφιγκτήρας εύκαμπτου σωλήνα (διαμέτρου 76 mm)	30. Ίσιος σωλήνας (κοντός) (προαιρετικό αξεσουάρ)
9. Σιγαστήρας	20. Άνω ακροφύσιο	31. Λυγισμένος σωλήνας (προαιρετικό αξεσουάρ)
10. Αντλία προέγχυσης	21. Δεύτερο ακροφύσιο	32. Σήτα της ένωσης σωλήνα
11. Καπάκι μπουζί	22. Κουμπί ρύθμισης υγρού	33. Σήτα του δοχείου διαλύματος (στο δοχείο διαλύματος)

## ΟΔΗΓΙΕΣ ΣΥΝΑΡΜΟΛΟΓΗΣΗΣ



### Συναρμολόγηση των σωλήνων ψεκαστήρα

#### ⚠ ΠΡΟΣΟΧΗ:

- Πριν εκτελέσετε οποιαδήποτε εργασία στον ψεκαστήρα, να σβήνετε πάντα τον κινητήρα και να αποσυνδέετε τις συνδέσεις μπουζί από το μπουζί.
- Να φοράτε πάντα προστατευτικά γάντια!
- Εκκινήστε τον ψεκαστήρα μόνο αφού τον έχετε συναρμολογήσει πλήρως.
- Βεβαιωθείτε ότι όλοι οι σφιγκτήρες εύκαμπτων σωλήνων είναι σφιγμένοι μετά τη συναρμολόγηση.

#### ΠΑΡΑΤΗΡΗΣΗ:

- Οι κεφαλές κοχλιών των σφιγκτήρων πρέπει να βγουν από την εξωτερική πλευρά όταν τους σφίγγετε όπως απεικονίζεται.

1. Συναρμολογήστε τον περιστρεφόμενο σωλήνα (1) με τον εύκαμπτο σωλήνα (2). Σφίξτε τους με σφιγκτήρα διαμέτρου 76 mm (3).

2. Συναρμολογήστε τον εύκαμπτο σωλήνα με τη γωνία (4) του ψεκαστήρα. Σφίξτε τους με σφιγκτήρα διαμέτρου 100 mm (5).

3. Συναρμολογήστε τον ίσιο σωλήνα (6) με τον περιστρεφόμενο σωλήνα (1). Ευθυγραμμίστε την εγκοπή του ίσιου σωλήνα με την προεξοχή στον περιστρεφόμενο σωλήνα και περιστρέψτε τον ίσιο σωλήνα μέχρι να ασφαλίσει. Μετά, σφίξτε τους με σφιγκτήρα διαμέτρου 76 mm (3).

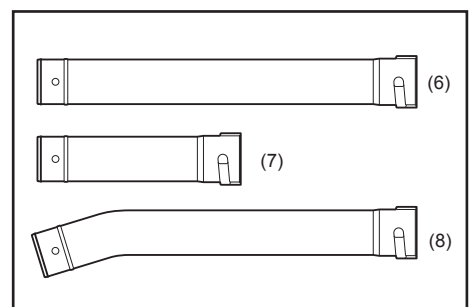
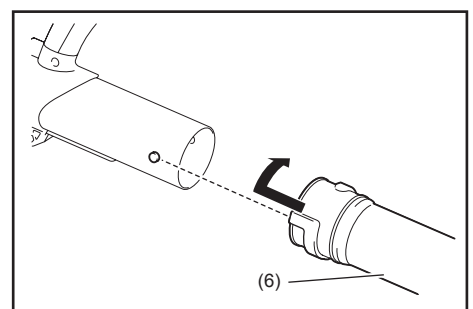
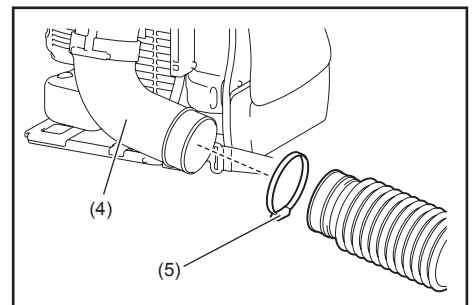
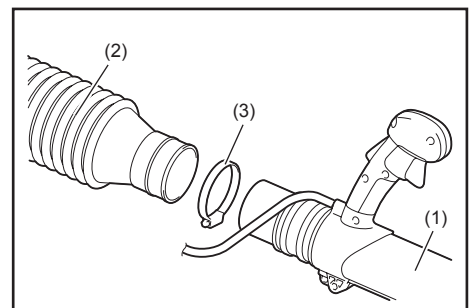
#### ΠΑΡΑΤΗΡΗΣΗ:

- Ως ίσιος σωλήνας που δηλώνεται ανωτέρω νοούνται οι ακόλουθοι τρεις σωλήνες και μπορούν να αντικατασταθούν ανάλογα με τις ανάγκες της εργασίας σας.

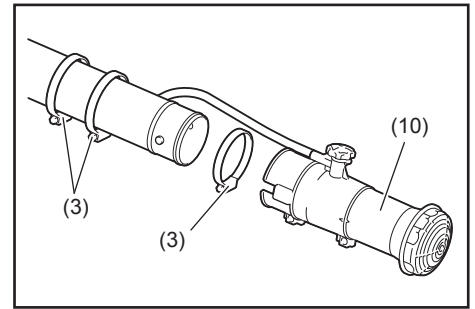
- Ίσιος σωλήνας (μακρύς) (6)
- Ίσιος σωλήνας (κοντός) (7)
- Σωλήνας λυγισμένης κορυφής (8)

Μόνο ένας ή συνδυασμός των ανωτέρω σωλήνων παρέχεται ως στάνταρ εξοπλισμό με τον ψεκαστήρα σας, και διαφέρει ανάλογα με τη χώρα.

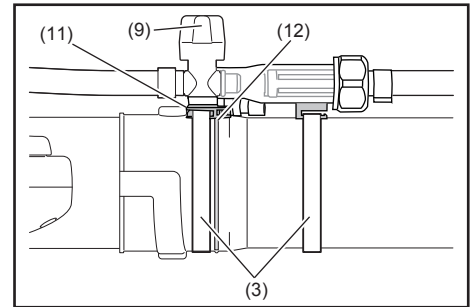
Οι υπόλοιποι τύποι σωλήνων μπορεί να χρειαστεί να αποκτηθούν ως προαιρετικά αξεσουάρ.



4. Τοποθετήστε χαλαρά δύο σφιγκτήρες διαμέτρου 76 mm (3) στο σωλήνα (αυτοί οι σφιγκτήρες χρησιμοποιούνται για το σφίξιμο του μοχλού εκκένωσης διαλύματος και της ένωσης σωλήνα αργότερα).  
Συναρμολογήστε το δεύτερο ακροφύσιο (10) με τον ίδιο σωλήνα.  
Σφίξτε τους με έναν άλλον σφιγκτήρα διαμέτρου 76 mm (3).



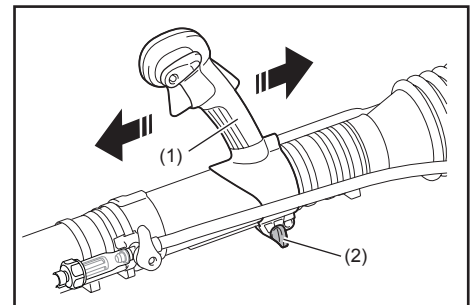
5. Τοποθετήστε το μοχλό εκκένωσης διαλύματος (9) στον σωλήνα.  
Βεβαιωθείτε ότι η ανοικτή πλευρά της βάσης μοχλού (11) είναι στραμμένη προς τον περιστρεφόμενο σωλήνα.  
Ευθυγραμμίστε τη βάση του μοχλού με το διάκενο της προεξοχής στον ίδιο σωλήνα (12).  
Μετά, σφίξτε τους με τους σφιγκτήρες διαμέτρου 76 mm (3).



6. Βεβαιωθείτε ότι όλοι οι σφιγκτήρες είναι σφιγμένοι.

### Ρύθμιση και ασφάλιση της λαβής ελέγχου

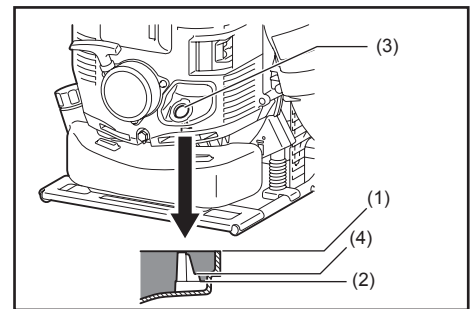
1. Τοποθετήστε το μηχανήμα στην πλάτη σας και ρυθμίστε τον ιμάντα ώμου (δείτε «Ρύθμιση του ιμάντα ώμου»).
2. Σύρετε τη λαβή ελέγχου (1) κατά μήκος του σωλήνα στην πιο άνετη θέση.
3. Ασφαλίστε τη λαβή ελέγχου περιστρέφοντας το κουμπί (2).



## ΠΡΙΝ ΤΗΝ ΕΚΚΙΝΗΣΗ ΤΟΥ ΚΙΝΗΤΗΡΑ

### 1. Έλεγχος και ανεφοδιασμός λαδιού κινητήρα

- 1) Ακολουθήστε την παρακάτω διαδικασία όταν το λάδι κινητήρα είναι κρύο, δηλ. ο ψεκαστήρας δεν λειτουργούσε.
  - Επιθεώρηση: Τοποθετήστε τον ψεκαστήρα σε μια επίπεδη επιφάνεια και βγάλτε την τάπα λαδιού. Βεβαιωθείτε ότι η στάθμη λαδιού βρίσκεται εντός των ενδείξεων άνω (1) και κάτω (2) ορίου στον μετρητή στάθμης λαδιού (3). Αν το λάδι δεν βρίσκεται μέχρι τη στάθμη των 100 ml (4), συμπληρώστε καινούργιο λάδι.
  - Προσθήκη λαδιού: Τοποθετήστε τον ψεκαστήρα σε μια επίπεδη επιφάνεια και βγάλτε την τάπα λαδιού. Συμπληρώστε με λάδι μέχρι το άνω όριο του μετρητή στάθμης λαδιού.
- 2) Κατά μέσο όρο, το λάδι κινητήρα πρέπει κανονικά να προστεθεί μετά από κάθε 20 ώρες λειτουργίας. Αυτό το μεσοδιάστημα για κάθε αλλαγή λαδιού αντιστοιχεί σε ανεφοδιασμό του ψεκαστήρα περίπου 10 – 15 φορές.
- 3) Αλλάξτε το λάδι κάθε φορά που βρομίζει ή αλλάζει σημαντικά χρώμα. (Ανατρέξτε στη σελίδα 230 για τη διαδικασία και τη συχνότητα αλλαγής λαδιού.)  
Συνιστώμενο λάδι: Γνήσιο λάδι της DOLMAR ή λάδι SAE 10W-30 τύπου API βαθμού SF ή καλύτερο (λάδι 4-χρονων κινητήρων για αυτοκίνητα)  
Χωρητικότητα λαδιού: Περίπου 0,22 l (220 ml)



### ⚠ ΠΡΟΣΟΧΗ:

- Αν ο ψεκαστήρας δεν αποθηκεύεται σε όρθια θέση, το λάδι μπορεί να ρέει από το μετρητή στάθμης μέσα στον κινητήρα και να δώσει λανθασμένη ένδειξη όταν ελέγχετε τη στάθμη λαδιού. Αυτό μπορεί να έχει ως αποτέλεσμα την υπερπλήρωση όταν προστίθεται λάδι κινητήρα. Να αποθηκεύετε πάντα τον ψεκαστήρα σε όρθια θέση.
- Αν γίνει υπέρβαση του άνω ορίου στάθμης λαδιού, μπορεί να έχει ως αποτέλεσμα τη ρύπανση του λαδιού και την εμφάνιση λευκού καπνού από την καύση του παραπανήσιου λαδιού.

### Σημείο ελέγχου 1: Αναφορικά με την τάπα λαδιού κατά την προσθήκη λαδιού

- Σκουπίστε τη βρομιά και τη γλίτσα γύρω από το άνοιγμα πριν αφαιρέσετε την τάπα λαδιού.
- Αφαιρέστε την τάπα λαδιού και τοποθετήστε την σε μια καθαρή επιφάνεια ώστε να μην συσσωρεύσει άμμο, βρομιά ή άλλα ξένα αντικείμενα. Αν δεν ληφθεί προσοχή, αυτά μπορεί να κολλήσουν επάνω στην τάπα και να νοθεύσουν το λάδι κινητήρα. Το βρόμικο λάδι που περιέχει άμμο, βρομιά ή ξένα αντικείμενα μπορεί να προκαλέσει υπερβολική φθορά του κινητήρα εξαιτίας της λανθασμένης λίπανσης, και να έχει ως αποτέλεσμα τη βλάβη λειτουργίας.

## Σημείο ελέγχου 2: Αν χυθεί λάδι κατά την προσθήκη λαδιού

- Η έκχυση λαδιού στο εξωτερικό του ψεκαστήρα μπορεί να έχει ως αποτέλεσμα τη ρύπανση ή τη νόθευση του λαδιού κινητήρα. Συνεπώς, σκουπίστε οποιαδήποτε έκχυση λαδιού πριν εκκινήσετε τον κινητήρα.

## 2. Παροχή καυσίμου

### ⚠ ΠΡΟΕΙΔΟΠΟΙΗΣΗ:

- Κατά τον ανεφοδιασμό με καύσιμο, βεβαιωθείτε να παρατηρήσετε τις ακόλουθες οδηγίες για να αποφύγετε την ανάφλεξη ή την πυρκαγιά:
  - Η παροχή καυσίμου πρέπει να γίνει σε μέρος χωρίς φωτιές. Μην φέρετε ποτέ τη φωτιά (κάπνισμα, κτλ.) κοντά στο μέρος ανεφοδιασμού καυσίμου.
  - Διακόψτε τη λειτουργία του κινητήρα και αφήστε τον κινητήρα να ψυχθεί πριν από τον ανεφοδιασμό.
  - Ανεφοδιάστε σε μια επίπεδη επιφάνεια. Μην ανεφοδιάσετε σε ασταθές ή ανεπαρκώς αεριζόμενο μέρος.
  - Ανεφοδιάστε σε καλό φωτισμό και ορατότητα.
  - Ανεφοδιάστε σε ανοικτό, καθαρό μέρος.
  - Ανοίξτε αργά την τάπα του ρεζερβουάρ καυσίμου. Μπορεί να χυθεί καύσιμο λόγω της εσωτερικής πίεσης.
  - Προσέχετε να μην χύσετε το καύσιμο. Τυχόν εκχυμένο καύσιμο πρέπει να σκουπιστεί για να καθαριστεί.
  - Μην ανεφοδιάσετε περισσότερο από ό,τι απαιτείται.
  - Διεξαγάγετε τον ανεφοδιασμό με καύσιμο σε ένα καλά αεριζόμενο χώρο.
- Χειριστείτε το καύσιμο με προσοχή.
  - Το καύσιμο που προσκολλά στο δέρμα ή μπαίνει στο μάτι μπορεί να προκαλέσει αλλεργίες ή ερεθισμό. Όταν εμφανιστεί κάποια σωματική ανωμαλία, συμβουλευτείτε αμέσως γιατρό.

### Χρονική περίοδος αποθήκευσης του καυσίμου

Το καύσιμο πρέπει να χρησιμοποιείται μέσα σε μια περίοδο 4 εβδομάδων, ακόμη κι αν είναι φυλαγμένο σε ειδικό δοχείο σε μια καλά αεριζόμενη σκιερή περιοχή.

Αν δεν χρησιμοποιηθεί ειδικό δοχείο ή αν το δοχείο δεν είναι καλυμμένο, το καύσιμο μπορεί να αλλοιωθεί εντός μίας ημέρας.

### Αποθήκευση μηχανήματος και ανεφοδιασμός ρεζερβουάρ

- Φυλάξτε το μηχάνημα και το δοχείο σε ένα δροσερό χώρο μακριά από την άμεση ηλιοβολή.
- Μην τοποθετείτε ποτέ το καύσιμο στην καμπίνα ή στο χώρο αποσκευών.

### Καύσιμο

Ο κινητήρας είναι ένας 4-χρονος κινητήρας. Βεβαιωθείτε να χρησιμοποιείτε βενζίνη για αυτοκίνητα (κανονική βενζίνη ή βενζίνη premium).

### Συμβουλές για καύσιμο

- Μην χρησιμοποιήσετε ποτέ ένα μείγμα βενζίνης που περιέχει λάδι μηχανής. Διαφορετικά, θα προκληθεί υπερβολική συσσώρευση άνθρακα ή μηχανικά προβλήματα.
- Η χρήση αλλοιωμένου καυσίμου θα προκαλέσει τη μη φυσιολογική εκκίνηση.

Όταν ανεφοδιάζετε με καύσιμο, βεβαιωθείτε να σβήσετε τον κινητήρα και εξασφαλίστε ότι ο κινητήρας έχει κρυώσει.

### Μέθοδος ανεφοδιασμού

- Χαλαρώστε λίγο την τάπα ρεζερβουάρ ώστε να μην υπάρχει διαφορά με την ατμοσφαιρική πίεση.
- Αποσυνδέστε την τάπα του ρεζερβουάρ και ανεφοδιάστε, ενώ απομακρύνετε τον αέρα δίνοντας κλίση στο ρεζερβουάρ καυσίμου ώστε η θύρα ανεφοδιασμού να είναι προσανατολισμένη προς τα πάνω. (Μην ανεφοδιάζετε με καύσιμο στη θύρα ανεφοδιασμού λαδιού.)
- Μετά τον ανεφοδιασμό, σφίξτε καλά την τάπα του ρεζερβουάρ.
- Αν υπάρχει κάποια ανωμαλία ή ζημιά στην τάπα του ρεζερβουάρ, αντικαταστήστε τη.
- Η τάπα του ρεζερβουάρ θα φθαρεί. Αντικαταστήστε την τάπα του ρεζερβουάρ κάθε δυο ή τρία χρόνια.

# ΕΚΚΙΝΗΣΗ ΚΑΙ ΔΙΑΚΟΠΗ ΤΟΥ ΚΙΝΗΤΗΡΑ

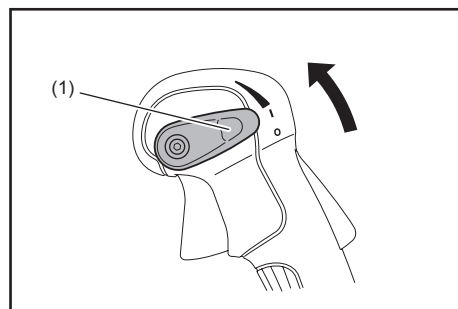
## 1. Εκκίνηση

### ⚠ ΠΡΟΕΙΔΟΠΟΙΗΣΗ:

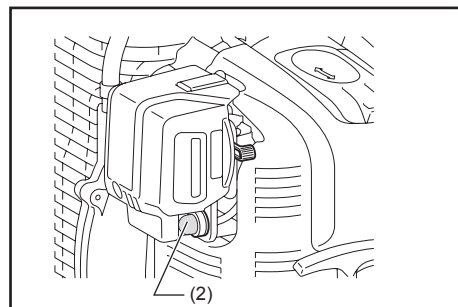
- Μην προσπαθήσετε ποτέ να βάλετε μπρος τον κινητήρα σε μέρος όπου έχει γίνει ανεφοδιασμός της μονάδας. Όταν βάζετε μπρος τον κινητήρα, κρατήστε απόσταση τουλάχιστον 3 μέτρα (10 πόδια).
  - Διαφορετικά, μπορεί να προκληθεί ανάφλεξη ή πυρκαγιά.
- Τα καυσαέρια από τον κινητήρα είναι τοξικά. Μη θέτετε τον κινητήρα σε λειτουργία σε χώρο με ανεπαρκή εξαερισμό, όπως σήραγγα, κτίριο, κτλ.
  - Η λειτουργία του κινητήρα σε χώρο με ανεπαρκή εξαερισμό μπορεί να προκαλέσει δηλητηρίαση από τα καυσαέρια.
- Σε περίπτωση ανίχνευσης οποιασδήποτε ανωμαλίας στον ήχο, την οσμή ή τη δόνηση μετά την εκκίνηση, διακόψτε αμέσως τη λειτουργία του κινητήρα και διεξαγάγετε έλεγχο.
  - Αν ο κινητήρας τεθεί σε λειτουργία χωρίς να δώσετε προσοχή σε μια τέτοια ανωμαλία, μπορεί να προκληθεί ατύχημα.
- Να βεβαιώνετε ότι ο κινητήρας σταματάει όταν θέτετε το μοχλό ελέγχου διακοπής στη θέση «Ο».
- Βεβαιωθείτε ότι ο μοχλός εκκίνησης διαλύματος είναι κλειστός πριν εκκινήσετε το μηχάνημα.

### 1) Όταν ο κινητήρας είναι κρύος ή μετά τον ανεφοδιασμό (κρύα εκκίνηση):

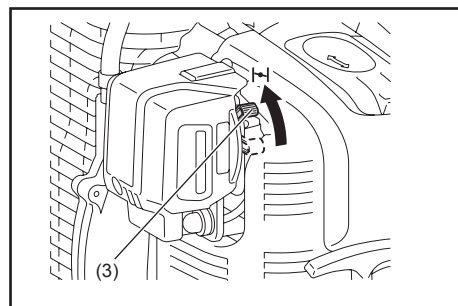
- (1) Τοποθετήστε αυτό το μηχάνημα σε μια επίπεδη επιφάνεια.
- (2) Θέστε το μοχλό ελέγχου διακοπής (1) στη θέση «I».



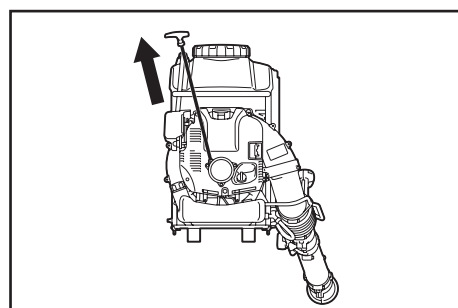
- (3) Ωθήστε την αντλία προέγχυσης (2) αρκετές φορές έως ότου το καύσιμο να εισέλθει μέσα στην αντλία προέγχυσης.
  - Γενικά, το καύσιμο μπαίνει στο καρμπυρατέρ σε 7 έως 10 ωθήσεις.
  - Αν η αντλία προέγχυσης ωθηθεί υπερβολικά, η περίσσεια ποσότητα βενζίνης επιστρέφει στο ρεζερβουάρ καυσίμου.



- (4) Σηκώστε το μοχλό τσοκ (3).



- (5) Κρατήστε το κάλυμμα του φίλτρου αέρα με το αριστερό χέρι για να εμποδίσετε την κίνηση του κινητήρα, αφήστε το κάτω σε μια σταθερή θέση.

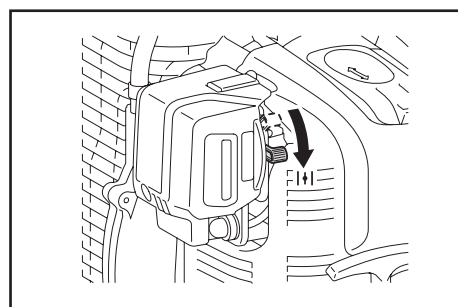


- (6) Τραβήξτε αργά τη λαβή εκκίνησης μέχρι να νιώσετε συμπίεση. Στη συνέχεια, τραβήξτε τη δυνατά. Μπορεί να χρειαστούν δύο έως τέσσερις προσπάθειες μέχρι να πάρει μπρος ο κινητήρας.
  - Μην τραβήξετε το σχοινί μέχρι τέρμα.
  - Επιστρέψτε τη λαβή εκκίνησης απαλά μέσα στο περίβλημα. Διαφορετικά, η απελευθερωμένη λαβή εκκίνησης μπορεί να χτυπήσει το σώμα σας ή να επανατυλιχτεί λανθασμένα.

- (7) Όταν ο κινητήρας πάρει μπρος, χαμηλώστε σταδιακά το μοχλό τσοκ ενώ ελέγχετε τη λειτουργία του κινητήρα. Φροντίστε να χαμηλώσετε πλήρως το μοχλό τσοκ στο τέλος.

- Στο κρύο ή όταν ο κινητήρας είναι κρύος, να χαμηλώνετε πάντα το μοχλό τσοκ αργά. Διαφορετικά, ο κινητήρας θα σταματήσει.

- (8) Πιάστε τη λαβή ελέγχου (ο μοχλός ασφάλισης ελευθερώνεται από το πιάσιμο) και τραβήξτε τη σκανδάλη γκαζιού για ζέσταμα. Συνεχίστε το ζέσταμα για 2 έως 3 λεπτά.



- (9) Όταν οι στροφές του κινητήρα σταθεροποιηθούν και ο κινητήρας επιταχύνει ομαλά από χαμηλές σε υψηλές στροφές με την κίνηση γκαζιού, το ζέσταμα έχει ολοκληρωθεί.

#### ΠΑΡΑΤΗΡΗΣΗ:

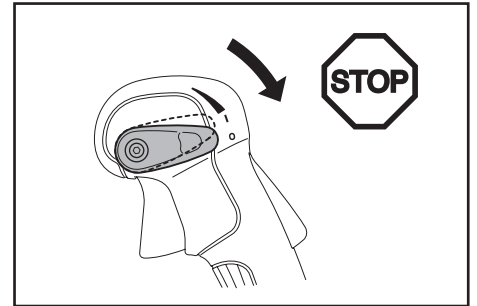
- Ο κινητήρας μπορεί να καταστραφεί αν ο μοχλός τσοκ μετακινηθεί πέρα από τη θέση «CLOSE».
- Αν ο κινητήρας σταματήσει με έναν ήχο έκρηξης ή αν ο κινητήρας πάρει μπρος αλλά σταματήσει πριν τη λειτουργία του μοχλού του τσοκ, επιστρέψτε τον στη θέση «OPEN» και τραβήξτε τη λαβή εκκινήτη αρκετές φορές για να ξεκινήσετε ξανά τον κινητήρα.
- Αν ο χειριστής συνεχίσει να τραβάει τη λαβή εκκινήτη αρκετές φορές με το μοχλό τσοκ στη θέση «CLOSE», ο κινητήρας μπορεί να πάρει μπρος με δυσκολία εξαιτίας της υπεραναρρόφησης καυσίμου.
- Σε περίπτωση υπεραναρρόφησης καυσίμου, βγάλτε το μπουζί και τραβήξτε τη λαβή αρκετές φορές γρήγορα και να απομακρύνετε οποιοδήποτε παραπανήσιο καύσιμο. Στεγνώστε το ηλεκτρόδιο του μπουζί.
- Όταν η βαλβίδα γκαζιού δεν επιστρέφει σε μια θέση σε επαφή με τη βίδα ρύθμισης ρελαντί ακόμη κι αν η σκανδάλη γκαζιού είναι ρυθμισμένη στις χαμηλές στροφές, διορθώστε το καλώδιο ελέγχου για να εξασφαλίσετε τη σωστή επιστροφή της βαλβίδας.

#### 2) Όταν ο κινητήρας είναι ζεστός (εκκίνηση με ζεστό κινητήρα)

- (1) Τοποθετήστε τον κινητήρα σε μια επίπεδη επιφάνεια.
- (2) Πιέστε την αντλία προέγχυσης αρκετές φορές.
- (3) Βεβαιωθείτε ότι ο μοχλός τσοκ είναι κάτω.
- (4) Κρατήστε το κάλυμμα του φίλτρου αέρα με το αριστερό χέρι για να εμποδίσετε την κίνηση του κινητήρα, αφήστε τον κάτω σε μια σταθερή θέση.
- (5) Τραβήξτε αργά τη λαβή εκκινήτη μέχρι να νιώσετε συμπίεση. Στη συνέχεια, τραβήξτε τη δυνατά.
- (6) Όταν είναι δύσκολη η εκκίνηση του κινητήρα, ανοίξτε τη βαλβίδα γκαζιού κατά 1/3.

## 2. Διακοπή

- 1) Αφήστε τη σκανδάλη γκαζιού και μετά μειώστε τις στροφές κινητήρα, και θέστε το μοχλό ελέγχου διακοπής στη θέση «O».



## ΡΥΘΜΙΣΗ ΤΟΥ ΡΕΛΑΝΤΙ

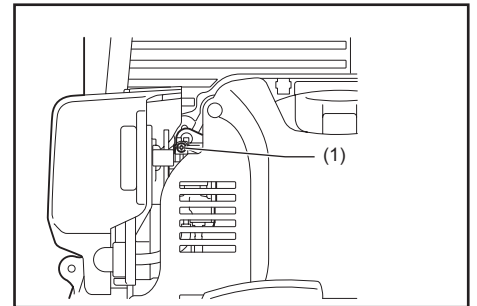
#### ⚠ ΚΙΝΔΥΝΟΣ:

- Η ρύθμιση του καρμπυρατέρ ολοκληρώνεται κατά την αποστολή από το εργοστάσιο. Μη ρυθμίζετε τίποτα εκτός από το ρελαντί. Όταν απαιτείται κάποια ρύθμιση, συμβουλευτείτε το εξουσιοδοτημένο κέντρο σέρβις.

#### Έλεγχος της ταχύτητας ρελαντί

Ρυθμίστε την περιστροφική ταχύτητα ρελαντί στα 2.800 min<sup>-1</sup>.

- Αν είναι απαραίτητο να αλλάξετε την ταχύτητα περιστροφής, προσαρμόστε τη ρυθμιστική βίδα (1) με ένα σταυροκατσάβιδο.
- Περιστρέψτε τη ρυθμιστική βίδα προς τα δεξιά για να αυξήσετε τις στροφές κινητήρα. Περιστρέψτε τη ρυθμιστική βίδα προς τα αριστερά για να μειώσετε τις στροφές κινητήρα.



## ΜΕΘΟΔΟΣ ΛΕΙΤΟΥΡΓΙΑΣ

### Τοποθέτηση της σήτας

Ο ψεκαστήρας παρέχεται με σήτες στο άνοιγμα του δοχείου διαλύματος και στην κεφαλή εισόδου σωλήνα.

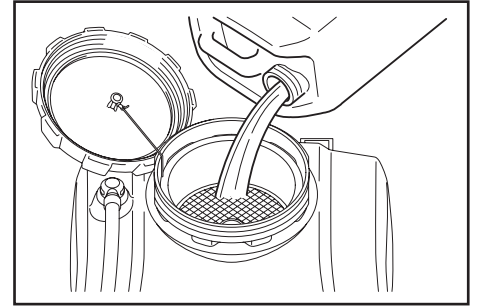
Να φροντίζετε πάντα η σήτα να είναι τοποθετημένη στη θέση της.

Για να τοποθετήσετε τη σήτα, σπρώξτε τη στη θέση της.

Για να αφαιρέσετε τη σήτα, αναμοχλεύστε την από τη θέση της.

#### ⚠ ΠΡΟΕΙΔΟΠΟΙΗΣΗ:

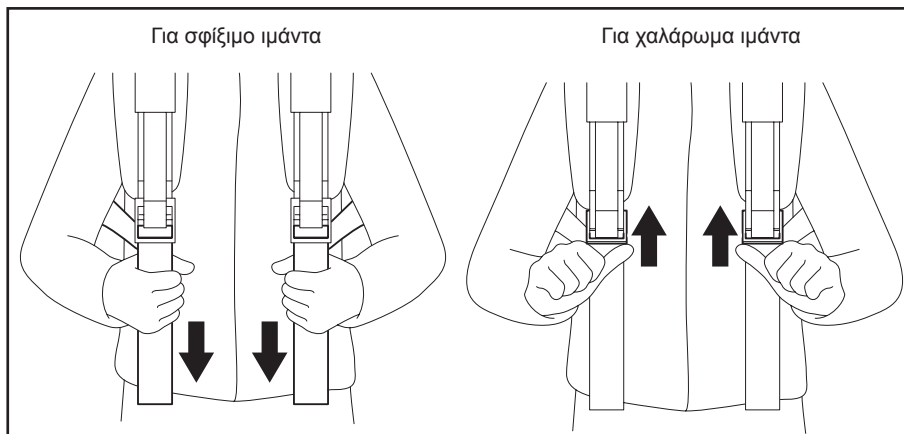
- Σφίξτε καλά το καπάκι δοχείου. Αν δεν σφίξετε το καπάκι δοχείου, μπορεί να προκληθεί διαρροή διαλύματος, μείωση πίεσης, κτλ.



### Ρύθμιση του ιμάντα ώμου

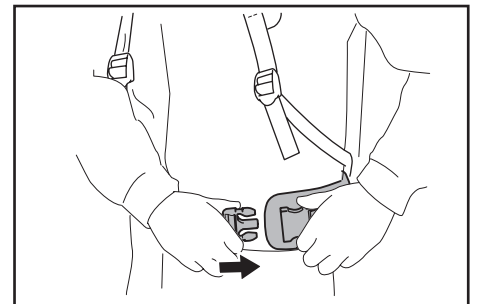
Ρυθμίστε τον ιμάντα ώμου σε ένα μήκος που είναι άνετο να εργάζεστε ενώ μεταφέρετε τον ψεκαστήρα.

Ρυθμίστε όπως απεικονίζεται στην εικόνα.



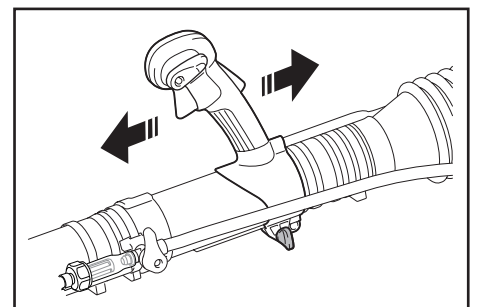
### Ιμάντας γοφού (προαιρετικό αξεσουάρ)

Ο ιμάντας γοφού (προαιρετικό αξεσουάρ) επιτρέπει στο χειριστή να μεταφέρει το εργαλείο πιο σταθερά.



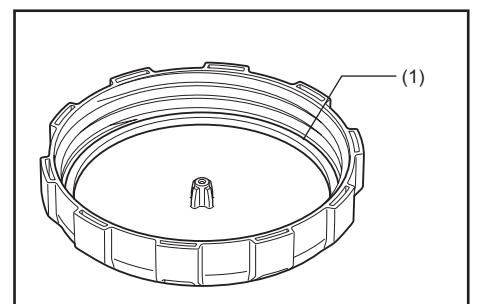
### Ρύθμιση της λαβής ελέγχου

Μετακινήστε τη λαβή ελέγχου κατά μήκος του περιστρεφόμενου σωλήνα στην πιο άνετη θέση.



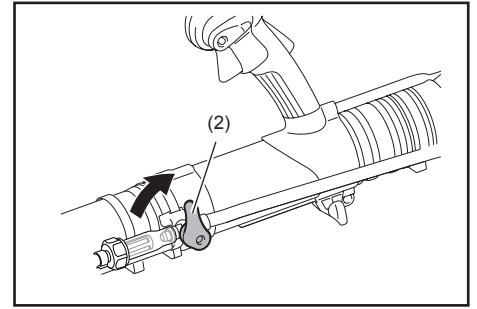
### Πλήρωση του δοχείου διαλύματος

1. Διατηρείτε το παρέμβυσμα (1) σε καλή κατάσταση, λιπαίνετε το με γράσο και καθαρίστε το.
2. Τοποθετήστε τον ψεκαστήρα σε μια επίπεδη επιφάνεια.

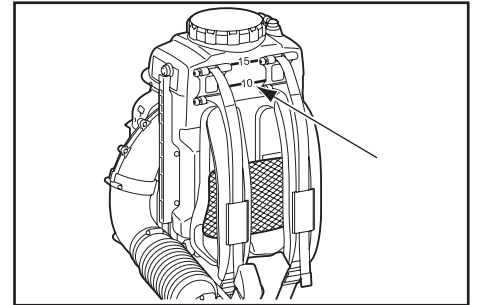




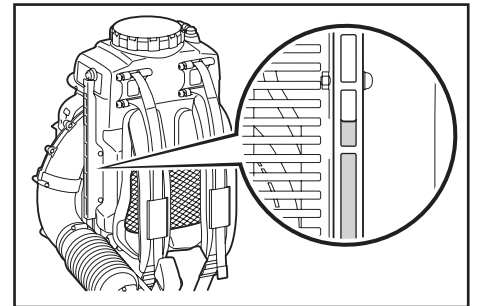
3. Πριν γεμίσετε το δοχείο διαλύματος, βεβαιωθείτε να κλείσετε το μοχλό εκκένωσης διαλύματος (2).



4. Το δοχείο διαλύματος έχει χωρητικότητα για 15 λίτρα διαλύματος.  
Όταν το δοχείο είναι γεμάτο, το συνολικό βάρος μαζί με το διάλυμα είναι σχεδόν 30 kg.  
Ρυθμίστε τον όγκο διαλύματος ώστε ο ψεκαστήρας με το δοχείο γεμάτο διάλυμα να μην είναι πολύ βαρύς και να μπορεί ο χειριστής να τον αντέχει.  
Όταν υπάρχουν 10 λίτρα διαλύματος (δηλ. η στάθμη διαλύματος δείχνει στην ένδειξη 10 λίτρα στο πλάι του δοχείου), το συνολικό βάρος είναι σχεδόν 25 kg.  
Συνιστάται το συνολικό βάρος του μηχανήματος να μην ξεπερνάει τα 30 kg για τους άνδρες και τα 25 kg για τις γυναίκες.

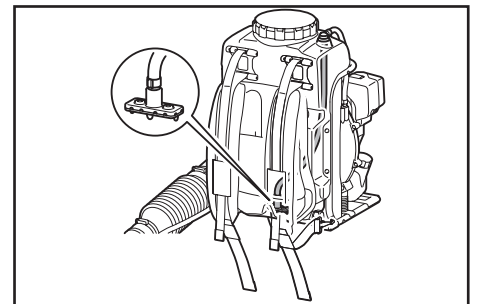


Χρησιμοποιήστε τη στάθμη διαλύματος στο σωλήνα στο πλάι του ψεκαστήρα ως κατευθυντήρια γραμμή, για να ελέγχετε τη στάθμη διαλύματος στο δοχείο διαλύματος.



### Λειτουργία ανάμιξης διαλύματος

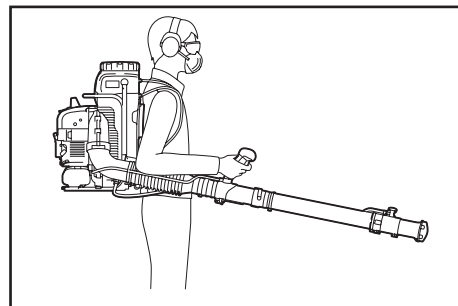
Η συσκευή ανάμιξης διαλύματος μέσα στο δοχείο διαλύματος επιτρέπει την ανάμιξη του διαλύματος, με φυσαλίδες αέρα να εξέρχονται κατά τον ψεκασμό.



## Λειτουργία ψεκαστήρα

Για να αυξήσετε τις στροφές του κινητήρα, πιάστε τη λαβή ελέγχου (ο μοχλός ασφάλισης ελευθερώνεται από το πιάσιμο) και τραβήξτε τη σκανδάλη γκαζιού.

Η πίεση στη σκανδάλη γκαζιού ελέγχει τις στροφές κινητήρα.



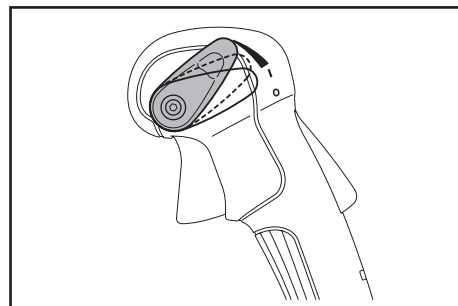
Η θέση του μοχλού ελέγχου διακοπής μπορεί να περιορίσει τη γωνία της σκανδάλης γκαζιού.

Υπάρχουν τέσσερις θέσεις για το μοχλό ελέγχου διακοπής. «Ο» (διακοπή κινητήρα), «I» και δύο θέσεις περιορισμού γωνίας σκανδάλης γκαζιού.

Η θέση «I» δεν περιορίζει τις στροφές κινητήρα (μπορείτε να τραβήξετε πλήρως τη σκανδάλη).

Η γωνία σκανδάλης περιορίζεται ξεκινώντας από ένα βήμα πάνω από τη θέση «I». Η σκανδάλη περιορίζεται όταν μετακινήσετε το μοχλό ελέγχου διακοπής ένα ακόμη βήμα πάνω από τη θέση «I».

Ρυθμίστε τις στροφές κινητήρα ώστε να είναι κατάλληλοι για την τοποθεσία και τις συνθήκες εργασίας κατά τη λειτουργία.

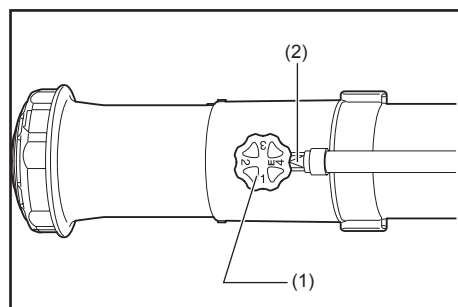
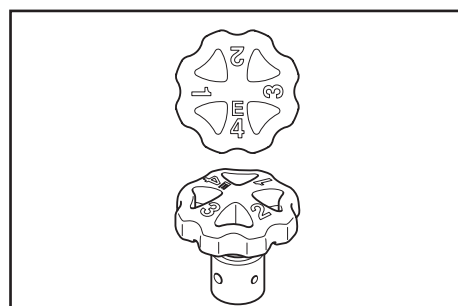


## Κουμπί ρύθμισης υγρού

Το κουμπί ρύθμισης υγρού επιτρέπει ένα μεγάλο εύρος από διαφορετικούς ρυθμούς εκκένωσης.

### Ρύθμιση του ρυθμού εκκένωσης

Γυρίστε το κουμπί ρύθμισης υγρού (1) στο δεύτερο ακροφύσιο για να αποκτήσετε τον επιθυμητό ρυθμό εκκένωσης, με τρόπο ώστε ο αριθμός στο κουμπί ρύθμισης υγρού να είναι ευθυγραμμισμένος με την ένδειξη τριγώνου (2).



### Ρυθμός εκκένωσης

Ψεκάστε κρατώντας τον ίσιο σωλήνα υπό γωνία 0 μοιρών έως μείον μοιρών ως προς το οριζόντιο επίπεδο.

Θέση κουμπιού	Ρυθμός εκκένωσης (L/min) (μέση τιμή)
1	0,36
2	1,0
3	1,6
4	2,5

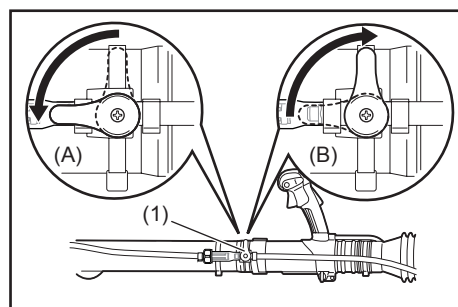
### ΠΑΡΑΤΗΡΗΣΗ:

- Χρησιμοποιήστε τις τιμές που παρουσιάζονται στον παραπάνω πίνακα ως κατευθυντήρια γραμμή για τη λειτουργία. Αυτές οι τιμές μπορεί να αλλάξουν ανάλογα με την πυκνότητα του χημικού διαλύματος που χρησιμοποιείται στο δοχείο διαλύματος.

## Μοχλός εκκένωσης διαλύματος

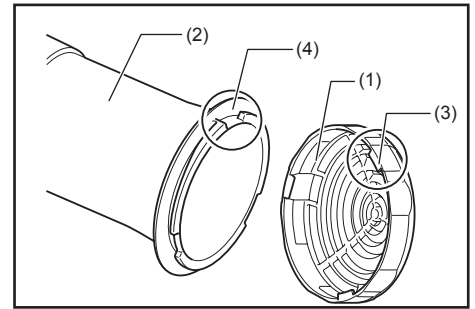
Για να ξεκινήσετε την τροφοδοσία διαλύματος (A), γυρίστε το μοχλό εκκένωσης διαλύματος (1) οριζόντια ως προς το σωλήνα.

Για να διακόψετε την τροφοδοσία διαλύματος (B), γυρίστε το μοχλό εκκένωσης διαλύματος κάθετα ως προς το σωλήνα.

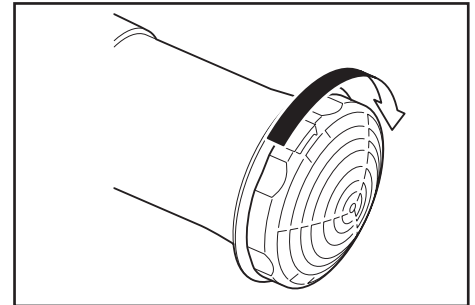


## Εγκατάσταση και αφαίρεση του καλύμματος διασποράς

Για να εγκαταστήσετε το κάλυμμα διασποράς (1), στερεώστε το κάλυμμα διασποράς στο άνω ακροφύσιο (2) με τρόπο ώστε η προεξοχή του (3) να είναι ευθυγραμμισμένη με την εγκοπή (4) στο άνω ακροφύσιο.



Ασφαλίστε το κάλυμμα διασποράς περιστρέφοντάς το εντελώς δεξιόστροφα.



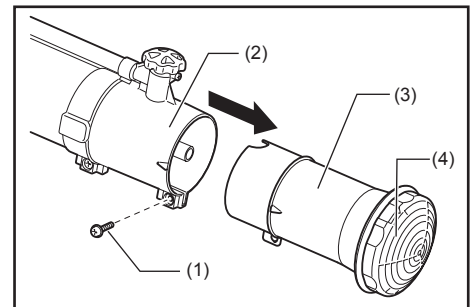
Για να αφαιρέσετε το κάλυμμα διασποράς, ακολουθήστε την παραπάνω διαδικασία με αντίστροφη σειρά.

## Αλλαγή του ακροφύσιου σε ακροφύσιο εκκένωσης μικρής ποσότητας διαλύματος (προαιρετικό αξεσουάρ)

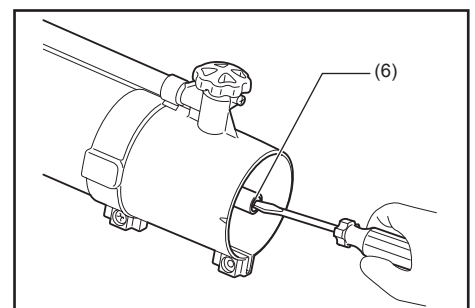
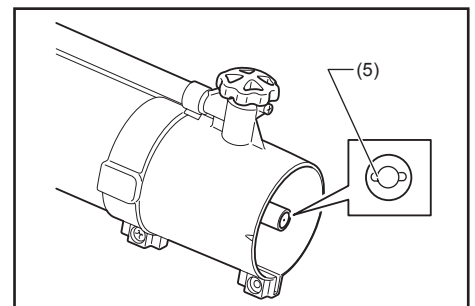
Όταν απαιτείται ο ψεκασμός μιας μικρής ποσότητας διαλύματος, αντικαταστήστε το καπάκι ακροφυσίου με έναν άλλο τύπο παρεχόμενου καπακιού ακροφυσίου με μικρή οπή εκκένωσης.

Για να αντικαταστήσετε το ακροφύσιο, ακολουθήστε την παρακάτω διαδικασία.

1. Αφαιρέστε τη βίδα (1) από το δεύτερο ακροφύσιο (2) και μετά αφαιρέστε το άνω ακροφύσιο (3) και το κάλυμμα διασποράς (4).



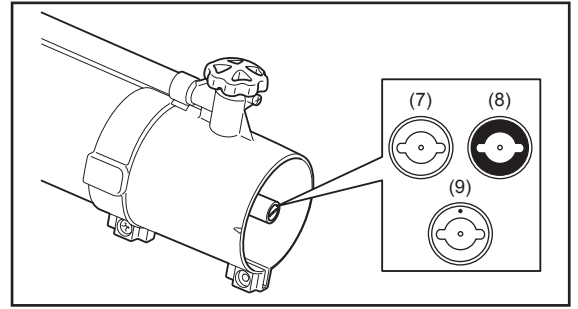
2. Τοποθετήστε το κατασβίδι επίπεδης μύτης μέσα στη σχισμή (5) στην κορυφή του ακροφυσίου και αφαιρέστε το καπάκι ακροφυσίου (6) περιστρέφοντάς το εντελώς αριστερόστροφα.



3. Στερεώστε ένα άλλο παρεχόμενο ακροφύσιο με μικρή οπή εκκένωσης.

**ΠΑΡΑΤΗΡΗΣΗ:**

- Επιλέξτε το σωστό ακροφύσιο από τα δύο ακόλουθα, ανάλογα με το είδος (ιξώδες) του χημικού που χρησιμοποιείται.



Τύπος ακροφυσίου	Ιξώδες χημικού	Παράδειγμα χημικού	Ρυθμός εκκένωσης (L/min)*1
Ακροφύσιο αλουμινίου (ασημί χρώμα) (7) *2	Υψηλό	MALATHION (Αναμίξτε το λάδι.)	0,14
Ακροφύσιο ορείχαλκου (χρυσό χρώμα) (8) *2	Χαμηλό	Aqua K-Othrine (Αναμίξτε το νερό.)	0,075
Ακροφύσιο ορείχαλκου με ένδειξη διάτρησης (χρυσό χρώμα) (9) *2	Χαμηλό	Cipermetrinato (Αναμίξτε το νερό.)	0,060

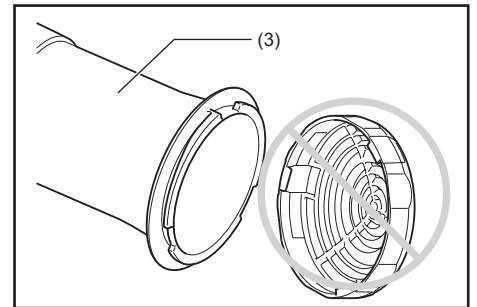
**Παρατήρηση 1:** Ο ρυθμός εκκένωσης που παρουσιάζεται στον πίνακα αφορά νερό μόνο και χρησιμοποιείται ως κατευθυντήρια γραμμή. Διαφέρει ανάλογα με τα χημικά που χρησιμοποιούνται.

**Παρατήρηση 2:** Ο τύπος του ακροφυσίου(ων) που παρέχεται με τον ψεκαστήρα αλλάζει ανάλογα με τη χώρα.

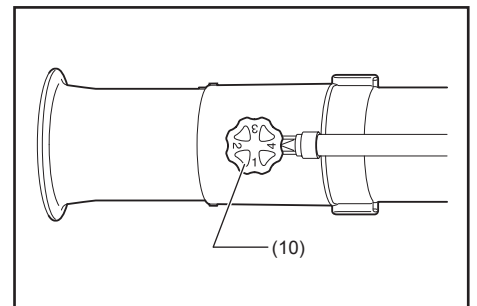
4. Στερεώστε το άνω ακροφύσιο (3) και ασφαλίστε το με τη βίδα (1).

**ΠΑΡΑΤΗΡΗΣΗ:**

- Όταν χρησιμοποιείται ένα από τα ανωτέρω ακροφύσια εκκένωσης μικρής ποσότητας διαλύματος, μην στερεώνετε το κάλυμμα διασποράς (4) αλλά τοποθετήστε το σε ένα ασφαλές μέρος για να μην το χάσετε.



5. Ρυθμίστε το κουμπί (10) στη θέση 4.

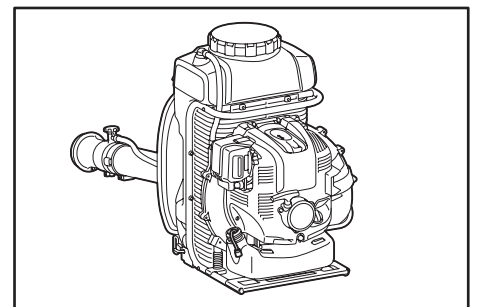


**ΜΕΤΑΦΟΡΑ ΤΟΥ ΨΕΚΑΣΤΗΡΑ**

Διατηρήστε τον ψεκαστήρα σε όρθια θέση κατά τη μεταφορά ή αποθήκευσή του. Η μεταφορά ή η αποθήκευση σε θέση που δεν είναι όρθια μπορεί να προκαλέσει την έκχυση λαδιού στο εσωτερικό του κινητήρα του ψεκαστήρα. Αυτό μπορεί να έχει ως αποτέλεσμα διαρροές λαδιού και λευκό καπνό από το καυτό λάδι, και το φίλτρο αέρα μπορεί να βρομίσει με λάδι.

**⚠️ΚΙΝΔΥΝΟΣ:**

- Όταν μεταφέρετε και αποθηκεύετε τον ψεκαστήρα, βεβαιωθείτε ότι έχει διακοπεί η λειτουργία του κινητήρα.



## Αποστράγγιση και καθαρισμός του δοχείου διαλύματος

### ⚠ ΠΡΟΕΙΔΟΠΟΙΗΣΗ:

- Να φοράτε πάντα λαστιχένια/ανθεκτικά στα χημικά γάντια όταν καθαρίζετε και αποστραγγίζετε το δοχείο διαλύματος.

### Αποστράγγιση του δοχείου διαλύματος

#### ⚠ ΠΡΟΕΙΔΟΠΟΙΗΣΗ:

- Μην απορρίπτετε χημικά ή νερό έκπλυσης ανοίγοντας το καπάκι στο κάτω μέρος του δοχείου διαλύματος.
- Πριν και μετά την αποστράγγιση, βεβαιωθείτε ότι ο μοχλός εκκένωσης διαλύματος είναι κλειστός.
- Αν απομένει ακόμη χημικό διάλυμα στο δοχείο διαλύματος μετά τη μέθοδο που αναφέρεται στο εγχειρίδιο οδηγιών, γείρετε το μηχάνημα προς την πλευρά του σωλήνα και ρίξτε έξω όλο το διάλυμα που απομένει.

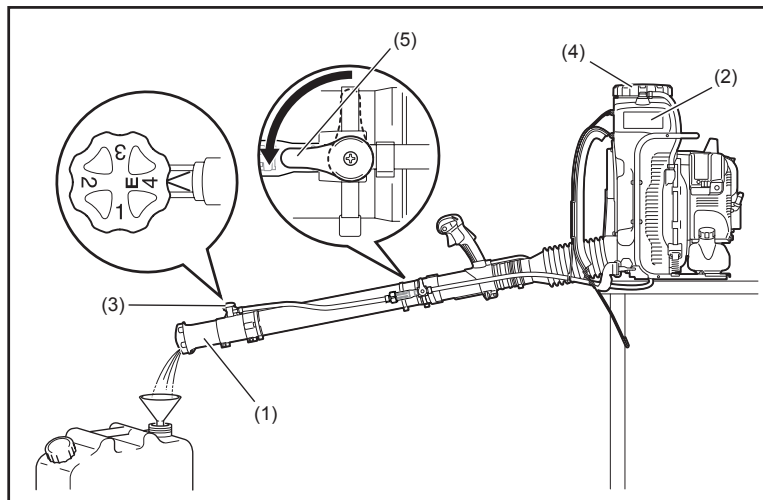
1. Τοποθετήστε τον ψεκαστήρα σε ένα σταθερό μέρος. Τοποθετήστε το ακροφύσιο (1) χαμηλότερα από το κάτω μέρος του δοχείου διαλύματος (2) και τοποθετήστε ένα δοχείο συλλογής κάτω από αυτό.

2. Ρυθμίστε το κουμπί (3) στη θέση E.

3. Ανοίξτε λίγο το καπάκι του δοχείου διαλύματος (4) για να εκτονωθεί η πίεση του δοχείου.

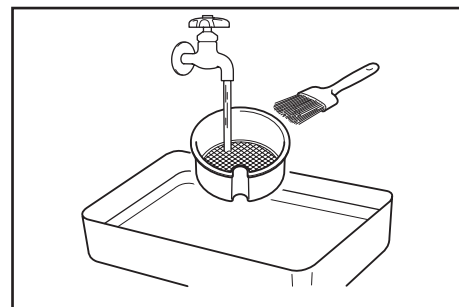
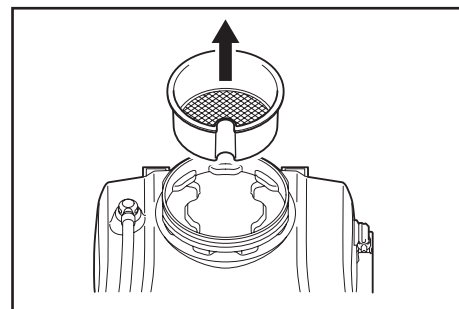
4. Ανοίξτε το μοχλό εκκένωσης διαλύματος (5). Το χημικό διάλυμα εκκενώνεται από το ακροφύσιο.

5. Καθαρίστε το εσωτερικό του δοχείου με νερό.



### Καθαρισμός της σήτας του δοχείου διαλύματος

Αφαιρέστε το καπάκι δοχείου, βγάλτε τη σήτα από το εσωτερικό του δοχείου και μετά καθαρίστε τη μετά τη χρήση.

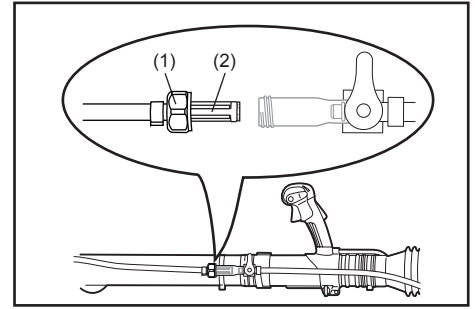


## Καθαρισμός της ένωσης σωλήνα

### ⚠ ΠΡΟΕΙΔΟΠΟΙΗΣΗ:

- Μην αφαιρέσετε τον σφιγκτήρα εύκαμπτου σωλήνα, το σωλήνα ή το καπάκι όταν ο μοχλός εκκένωσης διαλύματος είναι ανοικτός.
- Μην χαλαρώσετε το καπάκι όταν ο μοχλός εκκένωσης διαλύματος είναι ανοικτός.

1. Χαλαρώστε και αφαιρέστε το καπάκι (1) που βγαίνει με τη σήτα (2).
2. Απομακρύνετε τη σκόνη και τα σωματίδια από τη σήτα.
3. Τοποθετήστε τη σήτα ξανά στην αρχική θέση. Φροντίστε να σφίξετε καλά το καπάκι.



## ΕΠΙΘΕΩΡΗΣΗ ΚΑΙ ΣΥΝΤΗΡΗΣΗ

### ⚠ ΚΙΝΔΥΝΟΣ:

- Πριν από την επιθεώρηση και συντήρηση, διακόψτε τη λειτουργία του κινητήρα και αφήστε τον να κρυώσει. Αφαιρέστε και το μπουζί και το καπάκι μπουζί.
  - Αν προσπαθήσετε να πραγματοποιήσετε επιθεώρηση ή συντήρηση αμέσως μετά τη διακοπή του κινητήρα ή με το μπουζί συνδεδεμένο, ο χειριστής μπορεί να υποστεί έγκαυμα ή ατύχημα εξαιτίας απρόσεκτης εκκίνησης.
- Μετά την επιθεώρηση και συντήρηση, βεβαιωθείτε ότι όλα τα εξαρτήματα είναι συναρμολογημένα. Κατόπιν, συνεχίστε με τη λειτουργία.
- Να φοράτε πάντα λαστιχένια/ανθεκτικά στα χημικά γάντια για την επιθεώρηση και συντήρηση.

### ΕΙΔΟΠΟΙΗΣΗ:

- Μην χρησιμοποιείτε ποτέ βενζίνη, πετρελαϊκό αιθέρα, διαλυτικό, αλκοόλη ή παρόμοιες ουσίες. Μπορεί να προκληθεί αποχρωματισμός, παραμόρφωση ή ρωγμές.

## Αντικατάσταση του λαδιού κινητήρα

Το λάδι κινητήρα μειωμένης ποιότητας θα συντομεύσει τη διάρκεια λειτουργίας των ολισθαινόντων και περιστρεφόμενων εξαρτημάτων σε μεγάλο βαθμό. Φροντίστε να ελέγχετε την περίοδο και την ποσότητα αντικατάστασης.

### ⚠ ΚΙΝΔΥΝΟΣ:

- Γενικά, η κύρια μονάδα κινητήρα και το λάδι κινητήρα είναι ακόμη ζεστά μόλις σβήσει ο κινητήρας. Κατά την αντικατάσταση του λαδιού, βεβαιωθείτε ότι η κύρια μονάδα του κινητήρα και το λάδι κινητήρα έχουν ψυχθεί επαρκώς. Διαφορετικά, υπάρχει κίνδυνος να προκληθεί έγκαυμα. Επιπλέον, μόλις διακοπεί η λειτουργία του κινητήρα, όλο το λάδι δεν έχει επιστρέψει στο στροφαλοθάλαμο. Μην ελέγχετε τη στάθμη λαδιού αμέσως μετά τη διακοπή του κινητήρα.
- Αν το λάδι γεμίσει πάνω από το όριο, μπορεί να ρυπανθεί ή να πιάσει φωτιά με άσπρο καπνό.

**Μεσοδιάστημα αντικατάστασης:** Αρχικά, κάθε 20 ώρες λειτουργίας και ακολούθως κάθε 50 ώρες λειτουργίας.

**Συνιστώμενο λάδι:** SAE 10W-30 λάδι Κατηγορίας API Κλάση SF ή υψηλότερη (4-χρονος κινητήρας για αυτοκίνητα)

## Διαδικασία αλλαγής λαδιού

1. Τοποθετήστε τον ψεκαστήρα σε μια επίπεδη επιφάνεια.
2. Τοποθετήστε το δοχείο απόβλητου λαδιού κάτω από την οπή αποστράγγισης (1) για να συλλέξετε το λάδι καθώς αποστραγγίζεται.  
Το δοχείο θα πρέπει να έχει χωρητικότητα τουλάχιστον 220 mL για να είναι δυνατή η συλλογή όλου του λαδιού.
3. Χαλαρώστε το μπουλόνι αποστράγγισης λαδιού (2) για να αφήσετε το λάδι να αποστραγγιστεί. Προσέχετε να μην αφήσετε το λάδι να μπει στο ρεζερβουάρ καυσίμου ή σε άλλα μέρη.

### ⚠ ΠΡΟΣΟΧΗ:

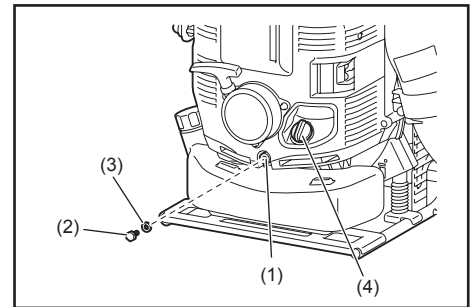
- Προσέχετε να μην χάσετε το παρέμβυσμα (αλουμινένια ροδέλα) (3). Τοποθετήστε το μπουλόνι αποστράγγισης λαδιού (2) σε μια θέση όπου δεν θα μαζέψει βρομιά.
4. Αφαιρέστε το καπάκι λαδιού (4). (Αν αφαιρέσετε το καπάκι λαδιού (4), το λάδι αποστραγγίζεται πιο εύκολα.)

### ⚠ ΠΡΟΣΟΧΗ:

- Βεβαιωθείτε να τοποθετήσετε το καπάκι λαδιού (4) σε μια θέση όπου δεν θα μαζέψει βρομιά.
5. Καθώς μειώνεται η στάθμη του λαδιού που αποστραγγίζεται, γείρετε τον ψεκαστήρα στο πλάι ώστε να αποστραγγιστεί εντελώς το λάδι.
  6. Αφού αποστραγγιστεί εντελώς το λάδι, σφίξτε το μπουλόνι αποστράγγισης λαδιού (2) πολύ καλά. Αν το μπουλόνι δεν είναι συνδεδεμένο σφιχτά, μπορεί να έχει ως αποτέλεσμα διαρροή λαδιού.

### ⚠ ΠΡΟΣΟΧΗ:

- Μην ξεχάσετε να τοποθετήσετε ξανά το παρέμβυσμα (αλουμινένια ροδέλα) (3) όταν συνδέεται ξανά την τάπα αποστράγγισης.
7. Η προσθήκη λαδιού κατά τη διάρκεια της διαδικασίας αλλαγής λαδιού εκτελείται με τον ίδιο τρόπο όπως η διαδικασία, η οποία επεξηγείται ξεχωριστά, για την προσθήκη λαδιού όταν η στάθμη είναι χαμηλή. Να προσθέτετε πάντα λάδι γεμίζοντας από το άνοιγμα κάτω από το καπάκι λαδιού. (Καθορισμένη στάθμη λαδιού: Περίπου 220 mL)
  8. Αφού γεμίσετε με λάδι, σφίξτε πολύ καλά το καπάκι λαδιού (4) για να αποφύγετε τη διαρροή λαδιού.



### Συμβουλές για την αντικατάσταση λαδιού κινητήρα

- Μην πετάξετε ποτέ το παλιό λάδι στα σκουπίδια, στο έδαφος ή στην αποχέτευση. Η απόρριψη του λαδιού υπόκειται στην νομοθεσία. Κατά την απόρριψη, να ακολουθείτε πάντα τους σχετικούς νόμους και κανονισμούς. Αν δεν γνωρίζετε κάποια στοιχεία, επικοινωνήστε με τον εξουσιοδοτημένο αντιπρόσωπο του σέρβις.
- Το λάδι θα αλλοιωθεί ακόμη κι αν το φυλάξετε αχρησιμοποίητο. Εκτελέστε τον έλεγχο και την αντικατάσταση σε τακτά διαστήματα (αντικαταστήστε με καινούργιο λάδι κάθε 6 μήνες).

### Καθαρισμός του φίλτρου αέρα

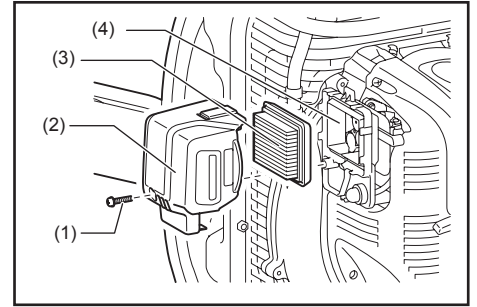
**⚠ ΠΡΟΕΙΔΟΠΟΙΗΣΗ:** ΟΙ ΕΥΦΛΕΚΤΕΣ ΟΥΣΙΕΣ ΑΠΑΓΟΡΕΥΟΝΤΑΙ ΑΥΣΤΗΡΩΣ

Μεσοδιάστημα καθαρισμού και επιθεώρησης: Καθημερινά (κάθε 10 ώρες λειτουργίας)

1. Χαλαρώστε το μπουλόνι κουμπιού (1).
2. Αφαιρέστε το κάλυμμα του φίλτρου αέρα (2).
3. Αφαιρέστε το στοιχείο (3) και απομακρύνετε τυχόν βρομιά με μια βούρτσα.

#### ΠΑΡΑΤΗΡΗΣΗ:

- Το στοιχείο είναι στεγνού τύπου και δεν πρέπει να βραχεί. Μην πλύνετε ποτέ με νερό.
4. Αντικαταστήστε το στοιχείο με ένα καινούργιο αν είναι κατεστραμμένο ή πολύ βρόμικο.
  5. Με ένα κουρέλι ή πανί, σκουπίστε τυχόν λάδι που έχει έρθει σε επαφή με τον εξαερισμό.
  6. Τοποθετήστε το στοιχείο στη θήκη του φίλτρου αέρα (4).
  7. Προσαρτήστε το κάλυμμα του φίλτρου αέρα και σφίξτε το μπουλόνι κουμπιού.



#### ⚠ ΚΙΝΔΥΝΟΣ:

- Καθαρίστε το στοιχείο αρκετές φορές την ημέρα, αν προσκολλάτε σε αυτό υπερβολική σκόνη.
- Αν η λειτουργία συνεχίζει ενώ στο στοιχείο υπάρχει ακόμη λάδι, το λάδι στο φίλτρο αέρα μπορεί να πέσει έξω και να έχει ως αποτέλεσμα τη ρύπανση με λάδι.

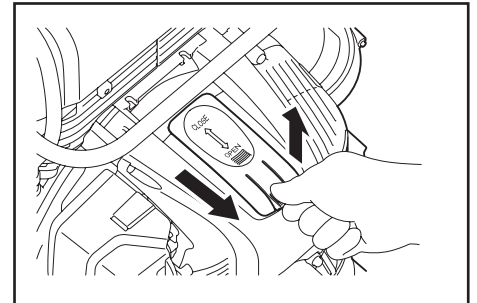
### Έλεγχος του μπουζι

#### ⚠ ΠΡΟΣΟΧΗ:

- Όταν αφαιρείτε το μπουζι, καθαρίστε πρώτα το μπουζι και την κεφαλή κυλίνδρου, ώστε να μην εισέλθει χώμα, άμμος, κτλ. στον κύλινδρο.
- Πρέπει να αφαιρέσετε το μπουζι αφού ψυχθεί ο κινητήρας προκειμένου να αποφευχθεί η πρόκληση ζημιάς στην κοχλιωτή σπή στον κύλινδρο.
- Τοποθετήστε το μπουζι σωστά στην κοχλιωτή σπή. Αν εγκατασταθεί υπό γωνία, θα προκληθεί ζημιά στην κοχλιωτή σπή στον κύλινδρο.

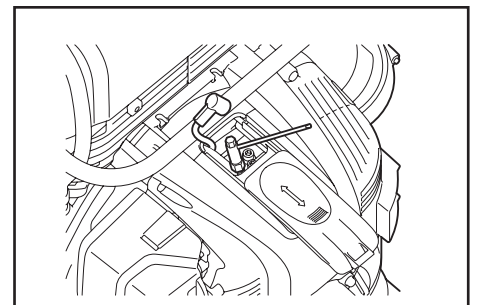
#### 1. Άνοιγμα/Κλείσιμο του καλύμματος μπουζι

Για να ανοίξετε το κάλυμμα μπουζι, τραβήξτε προς τα πάνω την προεξοχή του καλύμματος μπουζι και σύρετε προς την κατεύθυνση της ένδειξης «OPEN» όπως απεικονίζεται στην εικόνα στα δεξιά. Όταν κλείνετε το κάλυμμα, σύρετε το κάλυμμα προς την κατεύθυνση «CLOSE» μέχρι η ασφάλιση κάτω από την προεξοχή καλύμματος περάσει πάνω από το κάλυμμα κινητήρα. Τέλος, σπρώξτε μέσα την προεξοχή.



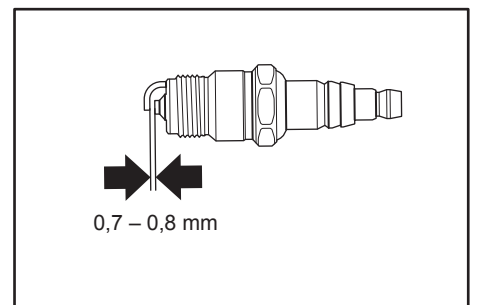
#### 2. Αφαίρεση του μπουζι

Χρησιμοποιήστε ένα παρεχόμενο σωληνωτό κλειδί για να αφαιρέσετε ή να τοποθετήσετε το μπουζι.



#### 3. Έλεγχος του μπουζι

Το διάκενο μεταξύ δύο ηλεκτροδίων του μπουζι (βλ. εικόνα) είναι 0,7 έως 0,8 mm. Ρυθμίστε στο σωστό διάκενο όταν είναι πολύ πλατύ ή πολύ στενό. Καθαρίστε πολύ καλά ή αντικαταστήστε το μπουζι αν έχει συσσωρευτεί άνθρακας ή έχει ρυπανθεί.



#### 4. Αντικατάσταση του μπουζι

Για αντικατάσταση, χρησιμοποιήστε NGK-CMR6A.

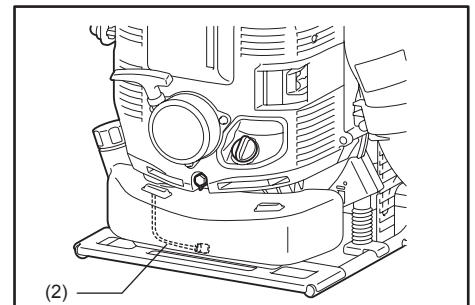
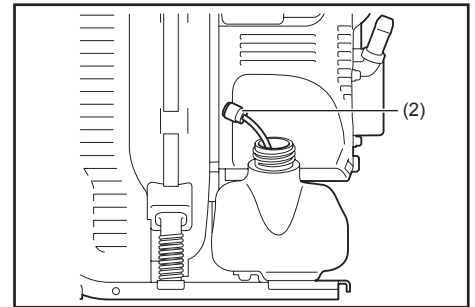
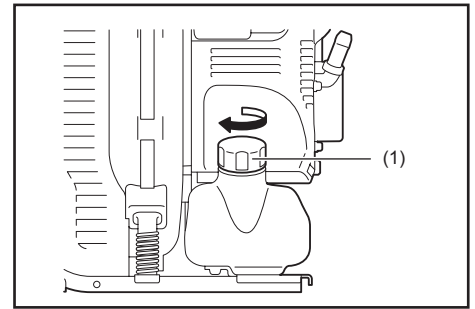
## Καθαρισμός του φίλτρου καυσίμου

- Ένα φραγμένο φίλτρο καυσίμου μπορεί να προκαλέσει δυσκολία κατά την εκκίνηση ή αστοχία στην αύξηση των στροφών του κινητήρα.
- Ελέγξτε σε τακτά διαστήματα το φίλτρο καυσίμου ως εξής:

1. Αφαιρέστε την τάπα του ρεζερβουάρ καυσίμου (1) και αποστραγγίστε το καύσιμο για να αδειάσετε το ρεζερβουάρ. Ελέγξτε αν υπάρχουν ξένα υλικά στο εσωτερικό του ρεζερβουάρ. Αν υπάρχουν, σκουπίστε αυτά τα υλικά για να καθαρίσετε.
2. Τραβήξτε το φίλτρο καυσίμου (2) με ένα σύρμα μέσα από τη θύρα πλήρωσης καυσίμου.
3. Αν η επιφάνεια του φίλτρου καυσίμου είναι ρυπασμένη, καθαρίστε την με βενζίνη. Η ρυπασμένη βενζίνη πρέπει να απορριφθεί σύμφωνα με τη μέθοδο που καθορίζεται από κάθε τοπική αρχή.  
Πρέπει να αντικαταστήσετε ένα υπερβολικά ρυπασμένο φίλτρο.
4. Τοποθετήστε ξανά το φίλτρο καυσίμου στο ρεζερβουάρ καυσίμου και σφίξτε σταθερά την τάπα του ρεζερβουάρ καυσίμου.

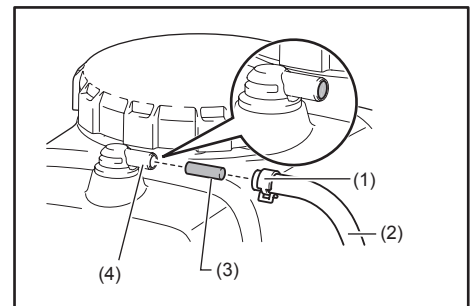
### ΠΑΡΑΤΗΡΗΣΗ:

- Όταν τοποθετείτε ξανά το φίλτρο καυσίμου στο ρεζερβουάρ, επιστρέψτε το στη θέση όπως απεικονίζεται στην εικόνα.  
Για αντικατάσταση, επικοινωνήστε με το τοπικό σας εξουσιοδοτημένο κέντρο σέρβις.



## Καθαρισμός του στοιχείου φίλτρου του ενωμένου σωλήνα

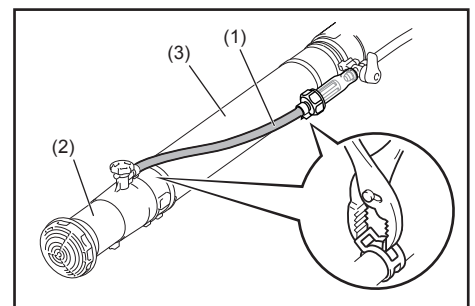
1. Αφαιρέστε το σφιγκτήρα εύκαμπτου σωλήνα (1) και τον εύκαμπτο σωλήνα (2).
2. Τραβήξτε έξω το στοιχείο (3) και απομακρύνετε τυχόν βρομιά από αυτό με μια βούρτσα.  
Αν είναι δύσκολο να τραβήξετε έξω το στοιχείο, χρησιμοποιήστε ένα λεπτό ξύλο για να το πιάσετε και να το τραβήξετε έξω.
3. Αντικαταστήστε το στοιχείο με ένα καινούργιο αν είναι κατεστραμμένο ή πολύ βρόμικο.
4. Πιέστε το στοιχείο μέσα στο ενωμένο σωλήνα (4) μέχρι το ουραίο τμήμα του στοιχείου να είναι ισόπεδο με το άκρο θύρας του.
5. Τοποθετήστε τον εύκαμπτο σωλήνα και ασφαλίστε τον με τον σφιγκτήρα εύκαμπτου σωλήνα.



## Αντικατάσταση του εύκαμπτου σωλήνα διαλύματος

- Ελέγχετε συχνά τον εύκαμπτο σωλήνα διαλύματος (1). Ένας κατεστραμμένος εύκαμπτος σωλήνας μπορεί να έχει ως αποτέλεσμα διαρροή του χημικού διαλύματος. Αντικαταστήστε τον εύκαμπτο σωλήνα αν απαιτείται όπως περιγράφεται στη συνέχεια.

1. Αφαιρέστε το ακροφύσιο (2) από το σωλήνα (3).
2. Χαλαρώστε τον σφιγκτήρα εύκαμπτου σωλήνα και μετά αντικαταστήστε τον παλιό εύκαμπτο σωλήνα με έναν καινούργιο.



## Επιθεώρηση των μπουλονιών, παξιμαδιών και βιδών

- Σφίξτε ξανά τα χαλαρά μπουλονία, παξιμάδια, κτλ.
- Ελέγξτε την περίπτωση διαρροής καυσίμου και λαδιού.
- Αντικαταστήστε τα φθαρμένα εξαρτήματα με καινούργια για μια ασφαλή λειτουργία.

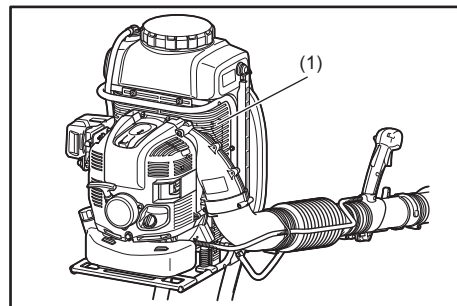
## Αντικατάσταση των παρεμβυσμάτων και στεγανοποιητικών

Κατά την επανασυναρμολόγηση μετά το ξεμοντάρισμα του κινητήρα, βεβαιωθείτε να αντικαταστήσετε τα παρεμβύσματα και τα στεγανοποιητικά με καινούργια.



## Καθαρισμός των εξαρτημάτων

- Να διατηρείτε τον κινητήρα πάντα καθαρό.
- Καθαρίστε τα πτερύγια του κυλίνδρου από σκόνη ή βρομιά. Η σκόνη ή η βρομιά που προσκολλάει στα πτερύγια μπορεί να προκαλέσει εμπλοκή.
- Ο αέρας που φυσάται λαμβάνεται από το δίχτυ εισόδου αέρα (1). Όταν η ροή αέρα μειωθεί κατά τη διάρκεια της λειτουργίας, διακόψτε τη λειτουργία του κινητήρα και ελέγξτε το δίχτυ εισόδου αέρα για φράξιμο από εμπόδια.
- Σημειώστε ότι αν δεν απομακρύνετε τέτοια εμπόδια, ο κινητήρας μπορεί να υπερθερμανθεί και να καταστραφεί.



### ⚠ ΠΡΟΕΙΔΟΠΟΙΗΣΗ:

- Μην χρησιμοποιείτε ποτέ τον ψεκαστήρα χωρίς το δίχτυ του ψεκαστήρα. Πριν από κάθε χρήση, ελέγξτε ότι το δίχτυ είναι συνδεδεμένο σωστά και δεν παρουσιάζει ζημιά.

Οποιαδήποτε εργασία συντήρησης και ρύθμισης που δεν περιλαμβάνεται και δεν περιγράφεται στο παρόν εγχειρίδιο πρέπει να εκτελείται μόνο σε εξουσιοδοτημένα κέντρα σέρβις.

## ΑΠΟΘΗΚΕΥΣΗ

### Αποστράγγιση του καυσίμου

#### ⚠ ΠΡΟΕΙΔΟΠΟΙΗΣΗ:

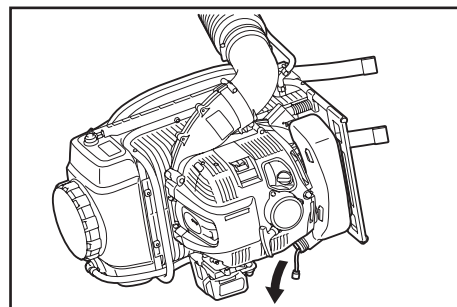
- Όταν αποστραγγίζετε το καύσιμο, βεβαιωθείτε να σβήσετε τον κινητήρα και εξασφαλίστε ότι ο κινητήρας έχει κρυώσει.  
– Μόλις σβήσει ο κινητήρας, μπορεί να είναι ακόμη ζεστός και να υπάρχει περίπτωση να προκληθούν εγκαύματα, αναφλεξιμότητα και πυρκαγιά.

#### ⚠ ΠΡΟΣΟΧΗ:

- Όταν το μηχάνημα μένει εκτός λειτουργίας για μεγάλο χρονικό διάστημα, αποστραγγίστε όλο το καύσιμο από το ρεζερβουάρ καυσίμου και το καρμπυρατέρ, και στη συνέχεια φυλάξτε το σε ένα ξηρό και καθαρό μέρος.

Αποστραγγίστε το καύσιμο από το ρεζερβουάρ καυσίμου και το καρμπυρατέρ σύμφωνα με την παρακάτω διαδικασία:

- 1) Αφαιρέστε την τάπα του ρεζερβουάρ καυσίμου και αποστραγγίστε εντελώς το καύσιμο.  
Αν υπάρχει το οποιοδήποτε ξένο σώμα μέσα στο ρεζερβουάρ καυσίμου, αφαιρέστε το εντελώς.
- 2) Τραβήξτε έξω το φίλτρο καυσίμου από τη θύρα ανεφοδιασμού χρησιμοποιώντας ένα σύρμα.
- 3) Ωθήστε την αντλία προέγχυσης έως ότου αποστραγγιστεί το καύσιμο από εκεί, και το αποστραγγισμένο καύσιμο μπει μέσα στο ρεζερβουάρ καυσίμου.
- 4) Τοποθετήστε ξανά το φίλτρο καυσίμου και σφίξτε σταθερά την τάπα του ρεζερβουάρ καυσίμου.
- 5) Κατόπιν, συνεχίστε τη λειτουργία του κινητήρα έως ότου σταματήσει.
- 6) Αφαιρέστε το μπουζί και στάξτε αρκετές σταγόνες από λάδι κινητήρα μέσα από την οπή μπουζί.
- 7) Τραβήξτε απαλά τη λαβή εκκινήτη ώστε το λάδι κινητήρα να απλωθεί στον κινητήρα και συνδέστε το μπουζί.
- 8) Κατά την αποθήκευση, να διατηρείται το μηχάνημα όρθιο.
- 9) Διατηρείτε το αποστραγγισμένο καύσιμο μέσα σε ένα ειδικό δοχείο σε ένα καλά αεριζόμενο χώρο υπό σκιά.



### Αποστράγγιση του δοχείου διαλύματος

#### ⚠ ΠΡΟΕΙΔΟΠΟΙΗΣΗ:

- Όταν αποστραγγίζετε το δοχείο διαλύματος, βεβαιωθείτε να σβήσετε τον κινητήρα και εξασφαλίστε ότι ο κινητήρας έχει κρυώσει.  
– Μόλις σβήσει ο κινητήρας, μπορεί να είναι ακόμη ζεστός και να υπάρχει περίπτωση να προκληθούν εγκαύματα, αναφλεξιμότητα και πυρκαγιά.

Πριν την αποθήκευση του ψεκαστήρα, αποστραγγίστε το δοχείο διαλύματος σύμφωνα με τις οδηγίες στην παράγραφο «Αποστράγγιση και καθαρισμός του δοχείου διαλύματος».

### Καθαρισμός της σήτας στο πάνω μέρος του δοχείου διαλύματος

Όταν αποθηκεύετε τον ψεκαστήρα, να καθαρίζετε πάντα τη σήτα στο πάνω μέρος του δοχείου διαλύματος. Για να καθαρίσετε τη σήτα, ανατρέξτε στην παράγραφο «Αποστράγγιση και καθαρισμός του δοχείου διαλύματος».

### Καθαρισμός της σήτας στην ένωση σωλήνα

Όταν αποθηκεύετε τον ψεκαστήρα, να καθαρίζετε πάντα τη σήτα στην ένωση σωλήνα. Για να καθαρίσετε τη σήτα, ανατρέξτε στην παράγραφο «Αποστράγγιση και καθαρισμός του δοχείου διαλύματος».

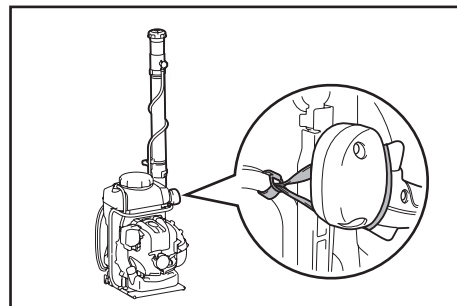
#### ⚠ ΠΡΟΣΟΧΗ:

- Όταν αποθηκεύετε τον ψεκαστήρα, βεβαιωθείτε ότι έχει διακοπεί η λειτουργία του κινητήρα.

## Συγκράτηση του ίσιου σωλήνα με τον παρεχόμενο ιμάντα χεριού

Όταν αποθηκεύετε τον ψεκαστήρα, δέστε τον ίσιο σωλήνα στο πλαίσιο με τον παρεχόμενο ιμάντα χεριού για να τον συγκρατήσετε.

Η συγκράτηση του σωλήνα σε αυτή τη θέση θα διευκολύνει τη μεταφορά της μονάδας.



## Μεσοδιαστήματα συντήρησης

Χρόνος λειτουργίας Στοιχείο		Πριν από τη λειτουργία	Μετά από τη λίπανση	Κάθε ημέρα (10 ώρες)	30 ώρες	50 ώρες	200 ώρες	Τερματισμός/ Ηρεμία	Αντίστοιχη σελίδα
Λάδι κινητήρα	Επιθεώρηση	○							220
	Αντικατάσταση					○ <sup>*1</sup>			230
Σφίξιμο εξαρτημάτων (μπουλόني, παξιμάδι)	Επιθεώρηση	○							232
Σήτα του δοχείου διαλύματος	Επιθεώρηση	○							229
	Καθαρισμός			○					229
Σήτα της ένωσης σωλήνα	Επιθεώρηση	○							230
	Καθαρισμός			○					230
Ρεζερβουάρ καυσίμου	Καθαρισμός/ επιθεώρηση	○							—
	Αποστράγγιση καυσίμου							○ <sup>*3</sup>	233
Σκανδάλη γκαζιού	Έλεγχος λειτουργίας		○						—
Μοχλός ελέγχου διακοπής	Έλεγχος λειτουργίας		○						223
Ταχύτητα ρελαντί	Έλεγχος/ρύθμιση			○					223
Φίλτρο αέρα	Καθαρισμός			○					231
Μπουζί	Επιθεώρηση			○					231
Αγωγός αέρα ψύξης	Καθαρισμός/ επιθεώρηση			○					233
Σωλήνας καυσίμου	Επιθεώρηση			○					232
	Αντικατάσταση						◎ <sup>*2</sup>		—
Φίλτρο καυσίμου	Καθαρισμός/ αντικατάσταση					○			232
Διάκενο μεταξύ της βαλβίδας εισόδου αέρα και της βαλβίδας εκκένωσης αέρα	Ρύθμιση						◎ <sup>*2</sup>		—
Σωλήνας λαδιού	Επιθεώρηση						◎ <sup>*2</sup>		—
Γενικό σέρβις κινητήρα							◎ <sup>*2</sup>		—
Καρμπυρατέρ	Αποστράγγιση καυσίμου							○ <sup>*3</sup>	233

\*1 Εκτελέστε την αρχική αντικατάσταση μετά από 20 ώρες λειτουργίας.

\*2 Για την επιθεώρηση των 200 ωρών, απευθυνθείτε σε ένα εξουσιοδοτημένο κέντρο σέρβις ή σε ένα συνεργείο.

\*3 Μετά το άδειασμα του ρεζερβουάρ καυσίμου, συνεχίστε τη λειτουργία του κινητήρα για την αποστράγγιση του καυσίμου από το καρμπυρατέρ.

## ΕΠΙΛΥΣΗ ΠΡΟΒΛΗΜΑΤΩΝ

Πριν πραγματοποιήσετε αίτημα για επισκευές, ελέγξτε μόνοι σας το πρόβλημα. Αν βρεθεί κάποιο πρόβλημα, χειριστείτε το μηχανήμα σας σύμφωνα με τα όσα περιγράφονται σε αυτό το εγχειρίδιο. Μην προσπαθήσετε ποτέ να παραβιάσετε ή να αποσυναρμολογήσετε το οποιοδήποτε εξάρτημα ενάντια σε όσα περιγράφονται. Για επισκευές, ελάτε σε επαφή με τον εξουσιοδοτημένο αντιπρόσωπο του σέρβις ή την τοπική αντιπροσωπεία.

Κατάσταση προβλήματος	Πιθανή αιτία (δυσλειτουργία)	Αποκατάσταση
Ο κινητήρας δεν ξεκινά.	Ο διακόπτης I-O είναι ρυθμισμένος στο «STOP».	Θέστε το διακόπτη I-O στη θέση «ΕΚΚΙΝΗΣΗ».
	Αστοχία λειτουργίας της αντλίας προέγχυσης.	Ωθήστε 7 με 10 φορές.
	Χαμηλή ταχύτητα τραβήγματος του σχοινιού εκκινητήρα.	Τραβήξτε δυνατά.
	Έλλειψη καυσίμου.	Προσθέστε καύσιμο.
	Λανθασμένη θέση τσοκ.	Θέστε στη θέση «CLOSE» (κρύα εκκίνηση). Θέστε στη θέση «OPEN» (θερμή εκκίνηση).
	Βουλωμένο φίλτρο καυσίμου.	Καθαρίστε.
	Λυγισμένος ή φραγμένος σωλήνας καυσίμου.	Ισιώστε ή αντικαταστήστε το σωλήνα καυσίμου.
	Αλλοιωμένο καύσιμο.	Το αλλοιωμένο καύσιμο καθιστά την εκκίνηση πιο δύσκολη. Αντικαταστήστε με καινούργιο. (Συνιστώμενη αντικατάσταση: 1 μήνας)
	Υπερβολική αναρρόφηση καυσίμου.	Τοποθετήστε το μοχλό γκαζιού από τη μεσαία ταχύτητα στην υψηλή ταχύτητα και τραβήξτε τη λαβή εκκινητή έως ότου να ξεκινήσει ο κινητήρας. Αν ο κινητήρας ακόμη δεν παίρνει μπρος, αφαιρέστε το μπουζί, στεγνώστε το ηλεκτρόδιο και συναρμολογήστε τα ξανά όπως ήταν αρχικά. Στη συνέχεια, ξεκινήστε όπως έχει καθοριστεί προηγουμένως.
	Αποσυνδεδεμένο καπάκι μπουζί.	Συνδέστε καλά.
	Ρυπασμένο μπουζί.	Καθαρίστε.
	Μη φυσιολογικό διάκενο του μπουζί.	Ρυθμίστε το διάκενο.
	Άλλη ανωμαλία με το μπουζί.	Αντικαταστήστε.
	Μη φυσιολογικό καρμπυρατέρ.	Ζητήστε επιθεώρηση και συντήρηση.
Το σχοινί εκκινητή δεν μπορεί να τραβηχτεί ή δεν νιώθετε συμπίεση.	Ζητήστε επιθεώρηση και συντήρηση.	
Μη φυσιολογικό σύστημα μετάδοσης/ ηλεκτρικό σύστημα. (βλάβη διακόπτη I-O, βλάβη καλωδίωσης, βλάβη συνδετήρα, κτλ.).	Ζητήστε επιθεώρηση και συντήρηση.	
Ο κινητήρας σταματά γρήγορα. Οι στροφές κινητήρα δεν αυξάνονται.	Ανεπαρκές ζέσταμα.	Εκτελέστε ζέσταμα.
	Ο μοχλός τσοκ είναι τοποθετημένος στη θέση «CLOSE» παρότι έχει ζεσταθεί ο κινητήρας.	Θέστε στη θέση «OPEN».
	Χαμηλό ρελαντί.	Ρυθμίστε το ρελαντί.
	Φραγμένο φίλτρο καυσίμου.	Καθαρίστε.
	Ρυπασμένο ή φραγμένο φίλτρο αέρα.	Καθαρίστε.
	Μη φυσιολογικό καρμπυρατέρ.	Ζητήστε επιθεώρηση και συντήρηση.
	Βλάβη σιγαστήρα εξάτμισης (φραγμένος, κτλ.).	Ζητήστε επιθεώρηση και συντήρηση.
	Μη φυσιολογικό σύστημα μετάδοσης/ ηλεκτρικό σύστημα.	Ζητήστε επιθεώρηση και συντήρηση.
Αποσυνδεδεμένο καλώδιο γκαζιού.	Συνδέστε καλά.	
Ο κινητήρας δεν σταματάει. ↓ Βάλτε μπρος τον κινητήρα στο ρελαντί και ρυθμίστε το μοχλό τσοκ στη θέση «CLOSE».	Αποκολλημένος συνδετήρας.	Συνδέστε καλά.
	Μη φυσιολογικό ηλεκτρικό σύστημα.	Ζητήστε επιθεώρηση και συντήρηση.

Όταν ο κινητήρας δεν ξεκινά μετά το ζέσταμα:

Αν δεν υπάρχει κανένα πρόβλημα στα σημεία ελέγχου, ανοίξτε το γκάζι περίπου στο 1/3 και εκκινήστε τον κινητήρα.

DOLMAR benzinli atomizeri tercih ettiğiniz için çok teşekkür ederiz. Uzun bir geliştirme programı ve yılların bilgi ve deneyiminin sonucu olan DOLMAR benzinli atomizeri sunmaktan mutluluk duyuyoruz.

Bu benzinli atomizer en son teknolojinin avantajlarını ergonomik tasarımla bir araya getirir. Kullanışlı ve kompakt olup çok çeşitli uygulamalar için profesyonel aygıtlardır.

**Olağanüstü performansını gösterecek çeşitli noktaları ayrıntısı ile anlatan bu kitapçığı lütfen okuyun, anlayın ve takip edin. Bu kitapçık, DOLMAR benzinli atomizerden olası en iyi sonuçları güvenli bir şekilde elde etmenize yardımcı olacaktır.**



## İçindekiler

	Sayfa
Semboller .....	236
Önemli güvenlik talimatları .....	237
Teknik veriler.....	243
Parçaların gösterimi.....	244
Montaj talimatları .....	245
Motoru başlatmadan önce .....	246
Motoru başlatma ve durdurma.....	248
Rölanti hızının ayarlanması.....	249
Çalıştırma yöntemi.....	250
Kontrol ve bakım.....	256
Saklama.....	259
Sorun giderme .....	261

## SEMBOLLER

Bu kullanma kılavuzunu okurken aşağıdaki simgelerin anlaşılması çok önemlidir.

	UYARI/TEHLİKE		Maske takın
	Kullanma kılavuzunu okuyun, anlayın ve takip edin		Sıcak yüzeyler – Parmaklar veya ellerde yanıklara neden olabilir
	Yasak		Yakıt (Benzin)
	Sigara içmek yasaktır		Motorun manüel çalıştırılması
	Açık alev yasaktır		Acil durdurma
	Altı kaymayan sağlam ayakkabılar giyin		İlk yardım
	Uygun koruyucu donanım kullanın		AÇIK/BAŞLATMA
	Mutlaka koruyucu eldiven takılmalıdır		KAPALI/STOP
	Püskürtme sırasında etrafınızdaki kişileri uzak tutun		Parmaklar ve elin zarar görmesi, çark kanadı
	İnsanları ve hayvanları çalışma alanından uzak tutun		Uzun saçlar dolanarak kazalara neden olabilir
	Koruyucu gözlük ve kulaklık takın		Zehirli dumanlar veya toksik gazlar Havalandırılmayan alanlarda çalıştırmayın

## ÖNEMLİ GÜVENLİK TALİMATLARI

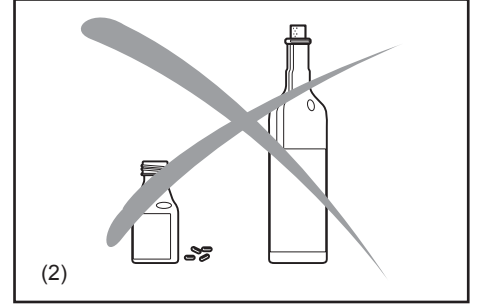
### ⚠ UYARI:

- Tüm güvenlik uyarılarını ve tüm talimatları okuyun. Uyarılara ve talimatlara uyulmaması elektrik şoku, yangın ve/veya ciddi yaralanmalar ile sonuçlanabilir.

### Tüm uyarıları ve talimatları ileride başvurmak için saklayın.

#### Genel Talimatlar

- Doğru ve güvenli çalışma sağlamak için kullanıcı, atomizerin (1) kullanımına aşina olmak üzere bu kullanma kılavuzunu okumalı, anlamalı ve takip etmelidir. Yetersiz bilgiye sahip kullanıcılar, yanlış kullanım neticesinde hem kendilerini, hem de başkalarını tehlikeye atarlar.
- Atomizerin sadece atomizerler konusunda deneyimli olduklarını ispatlamış kişilere ödünç verilmesi önerilir.
- Her zaman kullanım kılavuzunu da makineyle birlikte verin.
- İlk kez kullanan kullanıcılar, atomizerin kullanımı konusunda bilgilenmek için bayiden temel talimatları talep etmelidirler.
- Çocukların ve 18 yaşından küçük gençlerin atomizeri kullanmalarına izin verilmemelidir. Bununla birlikte 16 yaşından büyük kişiler, kalifiye bir öğretmenin doğrudan denetiminde olmaları şartıyla makineyi eğitim alma maksadıyla kullanabilirler.
- Atomizerleri azami özen ve dikkatle kullanın.
- Atomizeri yalnızca fiziksel durumunuz uygunsa kullanın.
- Tüm işi özenle ve dikkatli bir şekilde yapın. Kullanıcı başkalarının sorumluluğunu üstlenmek zorundadır.
- Atomizeri alkol veya ilaçların (2) etkisi altındayken asla kullanmayın.
- Aleti yorgunken kullanmayın.
- Bu kullanma kılavuzunu daha sonra başvurmak üzere saklayın.



#### Makinenin amaçlanan kullanımı

- Doğru makineyi kullanın. Atomizerin tek kullanım amacı; meyve, sebze ve çiçek bahçelerinde ya da ağaçlar ve çalılar veya kahve, tütün, pamuk gibi diğer bitkiler üzerindeki zararlılar ve yabancı otlarla mücadele etmek için sıvı haldeki kimyasalları veya diğer sıvıları püskürtmek için kullanmaktır. Ayrıca genç ağaçların bakımında, örneğin kabuk böcekleri ve diğer zararlılarla ya da bitki hastalıklarıyla mücadelede de faydalıdır. Başka hiçbir amaçla kullanmayın.
- Sadece üreticileri tarafından atomizerle kullanımı özel olarak onaylanmış, uygulanabilir tüm güvenlik yönetmelikleri, standartları ve kurallarına uygun olan bitki koruma ürünlerini kullanın.

Atomizerinizi nasıl kullanmanız gerektiğine dair bayinizden bilgi alın. Uygulanabilir tüm yerel yönetmelik, standart ve kurallara uyun.

Çalıştırma ve bakımda görev alan herkes, kullanılan kimyasal ürünlerin doğru şekilde kullanım prosedürleri, ilk yardım/acil durum bilgileri ve sıvı kimyasalların nasıl atılacağına ilişkin yönetmelikler hakkında eğitilmeli ve bu prosedürlere aşinalık kazanmış olmalıdır.

### ⚠ UYARI:

- Atomizeriniz sadece profesyonel kullanım amaçlıdır. Atomizerinizi kullanım kılavuzu olmadan kimseye ödünç vermeyin ya da kiralamayın. Kullanan herkesin bu kullanım kılavuzunda yer alan bilgileri anladığından emin olun.

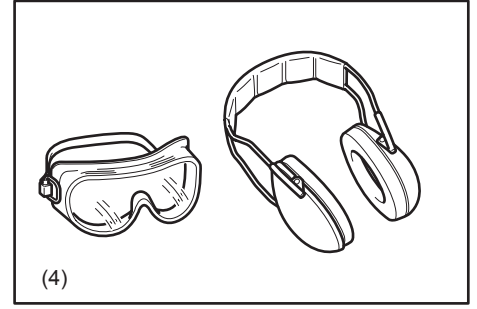
#### Kişisel koruyucu ekipmanlar

- Kimyasal ürünleri kullanırken yaralanma riskini azaltmak için, atomizeri doldurma, kullanma ve temizleme sırasında uygun koruyucu ekipmanı giyin. Doğru bir göz, cilt ve solunum koruması sağlamak açısından kimyasal üreticinin talimatlarını daima izleyin. Farklı talimatlar yer alabilir ve aşağıdaki önlemlerden daha fazlası gerekebilir.
- Toksik kimyasalları kullanırken, kullanıcı ve etrafındaki kişilerin doğru bir şekilde takılmış ve kullanılan kimyasallar için uyumlu bir respiratör takması gerekebilir. Kimyasal ürünün etiketine bakın. Toksik kimyasalları solumak ciddi ya da ölümcül yaralanmalara sebep olabilir.
- Giyilen kıyafet işlevsel ve uygun olmalı, yani çalışmanıza engel teşkil etmeyecek ölçüde dar olmalıdır. Hava girişine çekilebilecek takı, elbise veya uzun saç kullanmayın. (3)
- Baş, göz, el veya ayak yaralanmalarını engellemek ve işitme duyurunuzu korumak için atomizer kullanılırken aşağıdaki korunma ekipmanları ve koruyucu kıyafet giyilmelidir.

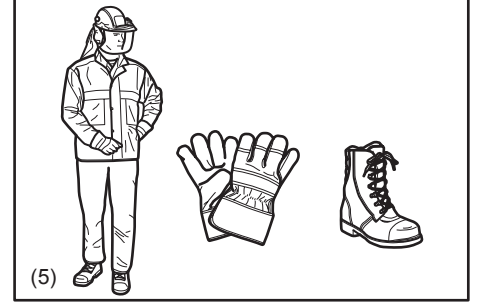


## Özellikle aşağıdaki hususlara özen gösterin

- Kıyafet sağlam ve vücudu saran türde olmalı ancak tam hareket serbestisi sağlamalıdır. Bol ceketlerden, bol paçalı veya manşetli pantolonlardan, baştan sarkan örtülerden, serbest bırakılmış uzun saç veya hava girişine çekilebilecek her şeyden kaçının.  
Bacaklarınızı korumak için uzun pantolon giyin.  
Şort giymeyin. (5)
- Atomizerin gürültüsü işitme sisteminize zarar verebilir. İşitme sisteminizi korumak için ses bariyerleri (kulak tıkaçları veya kulaklık) takın. Sürekli ve düzenli çalışan kullanıcılar işitme sistemlerini düzenli olarak kontrol ettirmelidirler. (4)
- Atomizer ile çalışırken kauçuk/kimyasala dayanıklı eldivenler giyilmesi önerilir. Yere sağlam basmak en önemli hususlardan biridir. Kauçuk/kimyasal botlar giyin. (5)
- Uygun göz koruyucu zorunludur. Tahliye kısmı kullanıcıdan uzağa yönlendirilmesine rağmen atomizer kullanılırken sekme ve geri tepme olabilir. (4)
- Atomizeri, ANSI Z 87.1 (ya da uygulanabilir ulusal standartlara) uygun, yeterli üst ve yan korumalı gözlük veya düzgün takılmış güvenlik gözlüğü takılmadan kullanmayın.



(4)



(5)

## KİMYASALLARLA ÇALIŞMA

- Atomizerinizle kullanılan bazı kimyasallar toksik ve/veya yakıcı bileşenler içerebilir. Bazı kimyasallar tehlikeli olabilir ve insanların ve hayvanların ciddi ve/veya ölümcül şekilde yaralanmasına veya bitkilere ve çevreye ciddi zararlar gelmesine neden olabilir.  
Kimyasallarla doğrudan temastan sakının.  
Ürünle temas edilmesi durumunda kimyasal üreticinin talimatlarını izleyin.
- Kimyasalları karıştırmadan, kullanmadan, saklamadan ve atmadan önce, her seferinde üreticinin etiketini ve kullanım kılavuzunu okuyun.  
Hafızanıza güvenmeyin.  
Dikkatsiz ya da hatalı kullanım ciddi ya da ölümcül yaralanmalara sebep olabilir.
- Kullanmadan önce kimyasalların paketi üzerindeki etiketleri dikkatlice okuyun.  
Kimyasallar toksisitelerine göre kategorilere ayrılır.  
Her kategorinin kendine has özellikleri vardır.  
Kullandığınız kimyasalın kategorisinin sahip olduğu özellikleri öğrenin.  
Kimyasallar sadece kullanımları ve uygun ilk yardım önlemleri hakkında eğitim almış kişilerce kullanılmalıdır.
- Kimyasallar yanlış kullanıldıkları takdirde kişilere, hayvanlara ve çevreye zarar verebilir. Buna ek olarak, yakıcı, aşındırıcı ve zehirli bazı kimyasalları atomizerinizde kullanmanız tavsiye edilmez.
- Sadece uyumlu pestisitleri birbiri ile karıştırın. Hatalı karışımlar toksik gazların çıkışına neden olabilir.  
Kimyasallarla uğraşırken ve püskürtme yaparken yerel otoriteler, devlet kurumları ya da federal kurumlar tarafından konan çevre korumaya ilişkin kural ve yönlendirici ilkelere uygun olarak hareket ettiğinizden emin olun. Rüzgarlı havalarda püskürtme yapmayın. Çevrenin korunmasına yardımcı olmak için sadece önerilen miktarda kullanın – aşırı dozda kullanmayın.  
Havza ve su yolları vb. yakınında kullanırken büyük dikkat gösterin.
- Kimyasallarla uğraşırken ya da püskürtme yaparken yeme, içme ya da sigara kullanma gibi ağzınızı açmanızı gerektirecek eylemlerden kaçının. Makinenin nozıl, tüp, boru ya da diğer parçalarına asla ağzınızla üflemeyin. Kimyasallarla uğraşırken bulunduğunuz ortamın iyi havalandırıldığından ve uygun koruyucu giysileri ve güvenlik ekipmanlarını kullandığınızdan daima emin olun.  
Kimyasalları; gıda maddeleri, içecekler ya da ilaçlar ile birlikte saklamayın ve taşımayın; ve asla kimyasalların bulunduğu kapları başka amaçlarla kullanmayın. Sıvı kimyasalları başka kaplara, özellikle de yiyecek ve/veya içecek kaplarına aktarmayın.
- Kimyasallarla kaza ile temas edilmesi, kimyasalların yutulması halinde veya kıyafetlere bulaşması halinde çalışmayı bırakın ve derhal kimyasal üreticisinin talimatlarına başvurun.  
Ne yapmanız gerektiği konusunda şüpheleriniz varsa, vakit kaybetmeden bir zehir kontrol merkezine ya da doktora başvurun.  
Ürünün etiketini danıştığınız kişiye okumak veya göstermek için yanınızda bulundurun.  
Dökülen tüm kimyasalları hemen temizleyin.  
Artıkları devlet kurumları ya da federal kurumlar tarafından konulan ya da ulusal yasa ve yönetmeliklerinize göre atın.
- Kimyasalları çocukların, hayvanların ve yetkisi olmayan insanların ulaşamayacağı yerlerde saklayın.  
Kullanılmadığı zamanlarda, kimyasalları güvenli ve kilitli bir yerde saklayın. Doğru saklama koşulları için üreticinin tavsiyelerine uyun.

## Kimyasalların hazırlanması

- Kimyasal solüsyonları kimyasal maddenin üreticisinin talimatlarına göre hazırlayın.
- Solüsyonu, artmayacak şekilde sadece o anki işe yetecek kadar hazırlayın.
- Kimyasalları mutlaka talimatlara göre karıştırın – yanlış karışımlar toksik gazların çıkması ya da patlayıcı karışımlarla sonuçlanabilir.
- Kimyasalları seyreltmeden püskürtmeyin.
- Solüsyonu hazırlayın ve kabı dışarıda, sadece iyi havalandırılan bir yerde doldurun.
- Operatör kullanılan kimyasalın adını açıkça belirtmelidir.

## Saklama

- Kapa aktarılan sprej solüsyonunu bir günden fazla saklamayın.
- Sprej solüsyonunu yalnızca onaylı kaplarda taşıyın ve saklayın.
- Sprej solüsyonunu asla gıda, içecek ya da hayvan yemi kaplarında saklamayın ve taşımayın.
- Sprej solüsyonunu asla gıda maddeleri, içecekler ya da hayvan yemi ile birlikte saklamayın ve taşımayın.
- Sprej solüsyonunu çocukların, hayvanların ve yetkisi olmayan insanların ulaşamayacağı yerlerde saklayın.
- Sprej solüsyonunun yetkisiz kişilerce kullanımını önlemek için kilitli ve güvenli bir yerde saklayın.

## Atma

Artık kimyasalları veya kontamine olmuş durulama solüsyonlarını akarsu yataklarına, pis su borularına, kanalizasyona, yağmur oluklarına, rögarlara vb. yerlere dökmeyin. Kontamine olmuş durulama suyunu atarken uygulanabilir tüm yasa, yönetmelik ve kurallara uyun.

Kimyasalın üreticisinin önleyici talimatlarına harfiyen uyun.

## Kabın doldurulması

- Tüm bağlantıları sıkılayın ve boruların ve tüpün sağlam bir şekilde takıldığından ve iyi durumda olduğundan emin olun. Solüsyon boşaltma kolunu kapalı tutun.
- Atomizeri kimyasallarla kullanmadan önce taze suyla doldurarak montajının doğru bir şekilde yapıldığından emin olun ve püskürtme yapmayı deneyin. Bu aşamada, sızıntı olup olmadığını da kontrol edin. Atomizerin çalıştırılması konusunda yeterince alıştırmayı yaptıktan sonra normal çalıştırma prosedürüne geçin.
- Atomizerinizi dışarıda, iyi havalandırılan bir ortamda doldurun.
- Şu malzemeleri atomizerde kullanmayın:
  - patlamaya neden olarak ciddi veya ölümcül yaralanmalara yol açabilecek yanıcı malzemeler;
  - makineye zarar gelmesine yol açabilecek yakıcı veya aşındırıcı materyaller;
  - haşlanma riskini azaltmak ve makineye zarar vermemek için, 50°C'nin üzerindeki sıvılar.

Solüsyon tankını doldurmak için, atomizeri düzgün bir yüzeye yerleştirin; solüsyonu sadece iyi aydınlatılmış, görüş netliği açısından iyi ortamlarda doldurun. Etrafı kirlenme riskini azaltmak için solüsyon tankını kimyasal solüsyonla çok fazla doldurmamaya dikkat edin.

Yaralanma riskini azaltmak için, atomizeri sırtınıza takılıken doldurmayın.

Solüsyon deposuna şehir şebekesine bağlı bir musluktan hortumla su ekliyorsanız, geriye akış yani ani bir vakum etkisi ile kimyasalın su şebekesinin içine çekilmesi riskini azaltmak için hortumun ucunun solüsyonun içine girmediğinden emin olun.

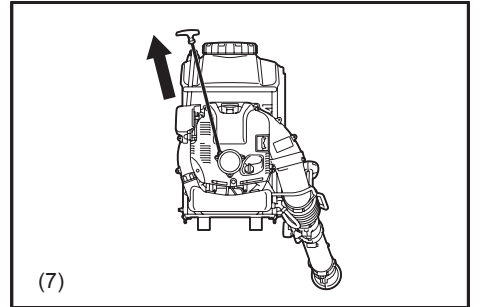
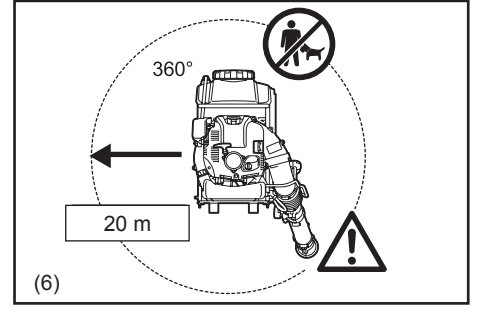
Kimyasal solüsyonun miktarını doğru hesaplayın, bir defada bitecek kadar olmasına, tankta ekstra solüsyon kalmamasına dikkat edin.

Doldurduktan sonra, solüsyon tankının kapağını kapatın ve sıkıca bastırın.

- Yeniden doldururken ve kullanım sırasında sızıntı olup olmadığını kontrol edin. Solüsyon tankından bir sızıntı olması ya da gevşek bir bağlantı sonucu akan kimyasal kıyafetiniz tarafından emilebilir ya da cildinizle temas edebilir.

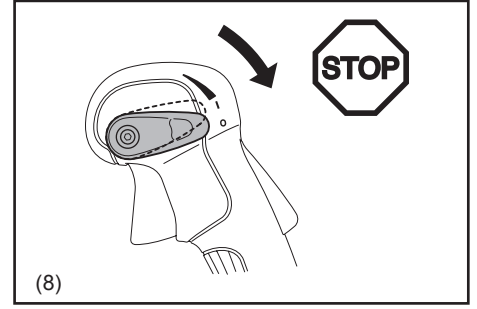
## Atomizerin başlatılması

- 20 metrelik (6) çalışma alanında insanların ve özellikle de çocukların bulunmadığından emin olun. Ayrıca, çalışma alanının çevresindeki hayvanlara da dikkat edin.  
Atomizeri kentsel alanlarda asla kullanmayın.
- Çalıştırmadan önce daima atomizerin kullanmak için güvenli olduğunu kontrol edin: Gaz düğmesinin emniyetini kontrol edin. Gaz düğmesi, düzgün ve kolay hareket için kontrol edilmelidir. Gaz düğmesi kilidinin düzgün çalıştığını kontrol edin. Kolların temiz ve kuru olduğunu kontrol edin ve I-O anahtarının çalışmasını test edin. Kolları yağ ve yakıttan temiz tutun.
- Sızıntı ve cildin kimyasallarla temas riskini azaltmak için, kabın kapağını ve spreye kadar olan bütün bağlantıların sıklığını kontrol edin, hortumun sağlam bir şekilde takıldığından ve iyi durumda olduğundan emin olun. Solüsyon boşaltma kolunu kapalı tutun.
- Makineyi başlatmadan önce solüsyon boşaltma kolunun kapalı olduğundan emin olun.
- Buji kapağının buji üzerine sağlam bir şekilde takıldığından emin olun – buji kapağının gevşek olması kontak yapmaya ve alev alabilecek gazları tutuşturarak yangın çıkmasına sebep olabilir.
- Kayışların durumunu kontrol edin ve hasarlı ya da aşınmış kayışları değiştirin.
- İşe başlamadan önce omuz kayışını ölçülerinize göre ayarlayın.  
Acil bir durumda, omuz kayışını hemen çıkarıp makineyi omzunuzdan atabilmelisiniz. Alışmak için, makineyi kullanmaya başlamadan önce omuz kayışını çıkartmayı bir kaç kez deneyin. Makineye zarar vermeme için, alıştırma sırasında makineyi fırlatıp atmayın.
- Marş kolunu çekerken, marş ipini elinizin etrafına dolamayın. Marş kolunun birden kapanmasına izin vermeyin, marş ipini düzgün bir şekilde yönlendirerek geri sarın. Aksi takdirde el veya parmaklarınızda yaralanma ve marş mekanizmasında hasar oluşabilir.
- Başlattıktan sonra atomizeri sırtınıza yerleştirmek için ikinci bir kişinin yardımı gerekebilir. Yardım eden kişinin sıçrayan maddeler, kimyasal sprey/sıvı ya da çıkan sıcak gazlardan dolayı yaralanma riskini azaltmak için, bu kısa süre için motoru rölanti hızında çalıştırın ve size yardım eden kişinin çıkış ağız ya da egzoz kısmının yakınında durmasına izin vermeyin. Bu sağlanıyorsa, atomizer yardım alınmadan başlatılmalı ve kullanılmalıdır.
- Atomizeri yalnızca talimatlara uygun olarak başlatın.
- Motoru (7) başlatmak için başka hiçbir yöntem kullanmayın!
- Atomizeri ve birlikte verilen aksesuarları yalnızca belirtilen uygulamalar için kullanın.
- Atomizer motorunu yalnızca tüm makine monte edildikten sonra başlatın. Alet yalnızca tüm uygun aksesuarlar takıldıktan sonra çalıştırılabilir.
- Herhangi bir motor sorunu olması durumunda motor derhal kapatılmalıdır.
- Atomizeri tek elle, sağ eliniz kumanda kolu üzerinde olacak şekilde kullanın. Omuz kayışlarını iki omzunuza da geçirip sırt çantası şeklinde taşıyın. Kontrol kaybı riskini azaltmak için, atomizeri asla kayışı tek omzunuza takarak çalışmayın.
- Atomizer ile çalışırken daima parmaklarınızı kolun etrafına sıkıca sarın ve kumanda kolunu başparmağınız ile işaret parmağı arasında tutun. Makinenizi her zaman kontrol altında tutmak için elinizi bu konumda muhafaza edin. Kumanda kolunuzun iyi durumda olmasını ve üzerinde nem, zift, yağ veya gres olmamasını sağlayın.
- Daima yere güvenli ve dengeli bir şekilde basın.
- Solüsyon tankını dik tutmak ve dökülmesini engellemek için belini bükerek eğilmeyin. Sadece dizlerinizi bükerek ve dengeyi korumak için destek olarak eğilin.  
Sıvı ile dolu bir atomizerin kayda değer bir ağırlığı olacağını unutmayın. Eğilirken, uzanırken ve yürürken daha fazla dikkat sarf edin.
- Atomizeri, egzoz gazlarının solunmasını engelleyecek şekilde kullanın. Motoru kesinlikle kapalı ortamlarda çalıştırmayın (boğulma ve gaz zehirlenmesi riski). Karbon monoksit kokusuz bir gazdır.  
Daima yeterli havalandırma olmasını sağlayın.
- Atomizeriniz elektrik çarpmasına karşı yalıtımlı değildir. Elektrik çarpması riskini azaltmak için, atomizer asla elektrik akımı geçme ihtimali olan tel ve kabloların (elektrik hatları vb.) yakınında kullanmayın. Elektrik tesisatlarında veya elektrik tesisatlarının yakınında püskürtme yapmayın.



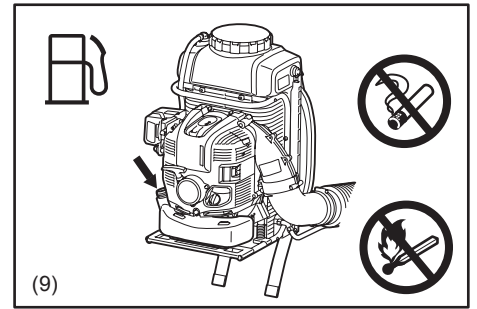


- Dinlenirken veya atomizeri gözetimsiz bırakırken motoru kapatın. Başkalarının zarar görmesini, yanıcı maddelerin tutuşmasını veya makinenin hasar görmesini engellemek için makineyi güvenli bir yere koyun (8).
- Sıcak atomizeri asla kuru çim veya hiçbir yanıcı maddenin üzerine yatırmayın.
- Yüksek hızda çalıştırırken atomizeri yere koymayın; kum, çimen, toz vb. küçük nesnelere hava girişini tıkaıyıp fan çarkına zarar verebilir.
- Molalar sırasında, atomizeri doğrudan güneş ışığı ya da herhangi bir ısı kaynağı yakınında bırakmayın.
- Çalışma sırasında makine ile birlikte gelen tüm koruyucu parçalar ve siperler kullanılmalıdır.
- Motoru asla arızalı egzoz susturucusu ile çalıştırmayın.
- Elinizi egzoz deliğine koymayın. Susturucu, kullanım sırasında çok ısınıp yanıklara neden olabilir.
- Motor kapağına uzun süre dokunmayın. Kullanım sırasında çok ısınmış olabilir ve yanıklara neden olabilir.
- Nakliye sırasında motoru kapatın (8).
- Yakıt sızıntısını engellemek için araba veya kamyon ile naklederken atomizeri güvenli bir şekilde konumlandırın.
- Atomizeri naklederken yakıt deposunun ve sıvı/kimyasal kabının tamamen boş olduğundan emin olun.



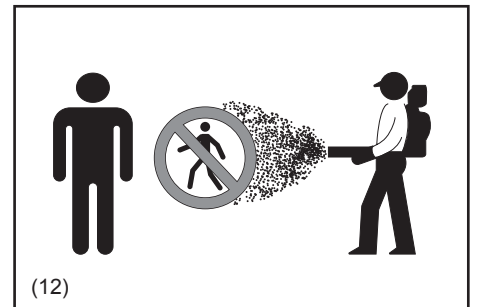
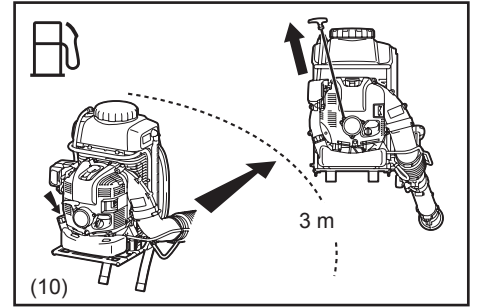
### Yakıt doldurma

- Yakıt doldururken motoru (8) kapatın, makineyi açık alevlerden (9) iyice uzaklaştırın ve sigara içmeyin.
- Cildin petrol ürünlerine temas etmesini engelleyin. Yakıt buharını solumayın. Yakıt doldururken daima koruyucu eldiven takın. Koruyucu kıyafeti düzenli aralıklarla değiştirin ve temizleyin.
- Toprağın kirlenmesini önlemek (çevreyi korumak) için yakıt veya yağ dökülmemesine dikkat edin. Yakıt dökülürse atomizeri derhal temizleyin. Kendiliğinden tutuşmasını engellemek için kapalı bir kaba düzgün bir şekilde atmadan önce ıslanan kıyafetlerin kurumasını sağlayın.
- Yakıtın kıyafetlerinize bulaşmasına izin vermeyin. Kıyafetinize yakıt dökülürse kıyafetinizi hemen değiştirin (yangın tehlikesi).
- Yakıt deposu kapağını düzenli aralıklarla kontrol ederek sıkıca takılı kalmasını sağlayın.
- Yakıt deposu tespit vidasını dikkatlice sıkın. Motoru çalıştırmak için yer değiştirin (yakıt doldurma yerinden ez az 3 metre uzakta) (10).
- Asla kapalı odalarda yakıt doldurmayın. Yakıt buharları zemin seviyesinde toplanır (patlama tehlikesi).
- Yakıtları yalnızca onaylı kaplarda taşıyın ve saklayın. Depolanan yakıtı çocukların erişemeyeceğinden emin olun.
- Sıcak veya çalışkan bir motora yakıt doldurmaya çalışmayın.



### Çalıştırma yöntemi

- Atomizeri yalnızca iyi ışık ve görüş şartlarında kullanın. Soğuk mevsimlerde kaygan veya ıslak alanlara, buz ve kara dikkat edin (kayma riski). Her zaman yere sağlam ve dengeli basın (11).
- Dengesiz yüzeylerde veya dik arazilerde asla çalışmayın (11).
- Kullandığınız belli bir kimyasalla ilişkili riskler konusunda bilginiz yoksa, söz konusunu kimyasalın ürün etiketini ve/veya malzeme güvenliği veri sayfasını gözden geçirin ve/veya malzeme üreticisine/tedarikçisine danışın. Ayrıca, tehlikeli maddeler hakkında işvereninize ve resmi kurumlara soru sorabilir veya diğer kaynaklardan bilgi alabilirsiniz. Bazı diğer resmi kurumlar, kansere ve üreme toksisitesine neden olduğu bilinen maddelerin listesini yayınlamıştır (11).
- Yaralanma tehlikesini azaltmak için yüksek hava akışı basıncı gözleri yaralayabileceğinden ve küçük nesnelere yüksek hızda fırlatabileceğinden etrafta bulunanlara doğru doğrudan hava üflemeyin (12).
- Püskürtme neticesinde yaralanabilecek ya da zarar görebilecek insanlara, hayvanlara ve eşyalara doğru asla püskürtme yapmayın (12).
- Makinenin hava girişine veya atomizerin ağızına asla yabancı maddeler sokmayın. Fan çarkına zarar verebilir ve nesne veya kırılan parçaların yüksek hızda fırlatılmasının bir sonucu olarak kullanıcı veya etrafta bulunanların ciddi yaralanmasına neden olabilir.
- Rüzgar yönüne dikkat edin, yani rüzgara karşı çalışmayın.
- Tökezleme veya kontrol kaybı riskini azaltmak için makineyi kullanırken geriye doğru yürümeyin.
- Üniteyi temizlemeden veya üniteye bakım yapmadan ya da parçaları değiştirmeden önce daima motoru kapatın.
- Yorgunluk nedeniyle kontrol kaybı oluşmasını önlemek için dinlenin. Saat başına 10 ila 20 dakika dinlenmeniz önerilir.

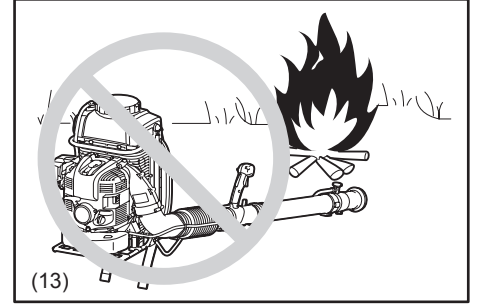


## İş bitirdikten sonra

- Püskürtme işleminden ya da kimyasallarla uğraştıktan sonra su ve sabunla iyice temizlenin. Hemen duş alın ve koruyucu giysileri diğer giysilerden ayrı olarak yıkayın.  
Kimyasalın üreticisinin ilave talimatları varsa bunlara harfiyen uyun.  
Atomizeri daima toz ve kire karşı temiz tutun.
- Solüsyon tankını her kullanımdan sonra boşaltın, durulayın ve temizleyip tekrar takın. Böylece solüsyonun kristalleşmesi önlenir ve makinede oluşabilecek tıkanma ve kimyasal hasarın önüne geçilir. Ayrıca, artık kimyasallar daha sonra farklı bir tip kimyasal kullanarak püskürtme yaptığınızda istenmeyen etkilere yol açabilir (örneğin artık herbisit, pestisit ile ilaçlama sırasında bitkilere zarar verebilir ve onları öldürebilir).  
Atomizeri solüsyon tankında sprey solüsyonu varken saklamayın.
- Çocukları, yapılan ile ilgili olmayan kişileri ve evcil hayvanları yeni püskürtme yapılmış alanlardan uzak tutun.  
Özellikle tarımsal pestisitler gibi bazı kimyasalların kullanımından sonra, ilaçlama yapılan alana bir uyarı yerleştirilerek "Geçici bir Süre Kısıtlanmış Giriş" uygulamasının geçerli olduğu belirtilmelidir.  
Kimyasal ürünün etiketine ve uygulanabilir devlet yönetmeliklerine bakın.

## Bakım talimatları

- Saklamadan önce temizleme ve bakım işlemlerini gerçekleştirin.
- Çevreye saygılı olun. Atomizeri mümkün olduğu kadar az gürültü ve kirlilik yaratarak kullanın. Özellikle karbüratörün doğru ayarlandığını kontrol edin.
- Atomizeri düzenli aralıklarla temizleyin ve tüm vidalar ve somunların iyice sıkıldığını kontrol edin.
- Atomizere asla açık alevlerin, kıvılcımların, vb. etrafında bakım yapmayın veya depolamayın (13).
- Atomizeri daima iyi havalandırılan kilitli bir odada ve yakıt deposu ve solüsyon tankı boşaltılmış olarak saklayın.



**Meslek odaları ve sigorta şirketleri tarafından yayınlanmış tüm ilgili kaza önleme talimatlarına riayet edin ve uyun. Güvenliğinizi tehlikeye atacağından atomizer üzerinde hiçbir değişiklik yapmayın.**

Kullanıcı tarafından gerçekleştirilecek bakım veya onarım çalışmaları yalnızca bu kullanım kılavuzunda açıklanan işlemlerle sınırlıdır. Diğer tüm çalışmalar Yetkili Servis Personeli tarafından gerçekleştirilecektir.

Sadece DOLMAR tarafından tedarik edilen orijinal yedek parçaları ve aksesuarları kullanın.

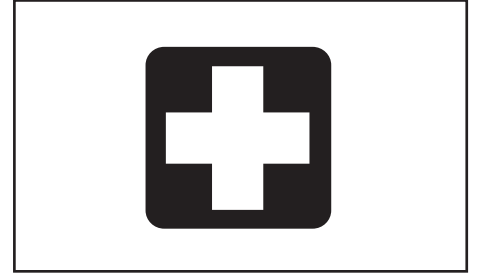
Onaysız aksesuarların ve makinelerin kullanılması, artan kaza ve yaralanma tehlikesi demektir. DOLMAR, onaysız her türlü ataşman veya aksesuar kullanılmasından kaynaklanan kazalar veya hasar için hiçbir sorumluluk kabul etmez.

## İlk Yardım

Kaza durumuna karşı çalışma yapılan yere yakın bir yerde uygun ilk yardım seti olmasını sağlayın. İlk yardım setinden alınan her öğenin yerine hemen yenisini koyun.

Yardım isterken, lütfen şu bilgileri verin:

- Kazanın yeri
- Ne olduğu
- Yaralı kişi sayısı
- Yaralanma boyutu
- Adınız



## Ambalaj

DOLMAR atomizer, nakliye sırasında hasar görmesini önlemek için koruyucu karton kutuda teslim edilir. Karton kutu işlenmemiş temel bir malzemeden yapıldığı için yeniden kullanma veya geri dönüştürme (atık kağıtların geri dönüştürülmesi) için uygundur.

## BU TALİMATLARI SAKLAYIN.

### ⚠ UYARI:

- Ürünü kullanırken (defalarca kullanınca kazanılan) rahatlık ve tanıdıklık duygusunun ilgili ürünün güvenlik kurallarına sıkı sıkıya bağlı kalmanın yerine geçmesine İZİN VERMEYİN. YANLIŞ KULLANIM veya bu kullanma kılavuzunda belirtilen emniyet kurallarına uymama ciddi yaralanmaya neden olabilir.

## Sadece Avrupa ülkeleri için

### EC Uygunluk Beyanı

#### Biz Makita Corporation beyan ederiz ki aşağıdaki makine(ler):

Makine Adı: Benzinli Atomizer

Model No./ Tipi: SP-7650.4 R

Teknik özellikler: bkz. "TEKNİK VERİLER" tablosu

#### Aşağıdaki Avrupa Direktiflerine uygundur:

2006/42/EC, 2000/14/EC

Aşağıdaki standartlara veya standartlaştırılmış belgelere uygun olarak imal edilmişlerdir:

EN ISO 28139, ISO 10988

2006/42/EC uyumluluğuna ilişkin teknik dosyaya şuradan ulaşılabilir:

Makita, Jan-Baptist Vinkstraat 2, 3070, Belçika

2000/14/EC Direktifinin gerektirdiği uygunluk değerlendirme prosedürü Ek V'e uygundur.

Ölçülen Ses Güç Seviyesi: 110,1 dB

Beklenen Ses Güç Seviyesi: 111 dB

8.7.2014



Yasushi Fukaya

Müdür

Makita, Jan-Baptist Vinkstraat 2, 3070, Belçika

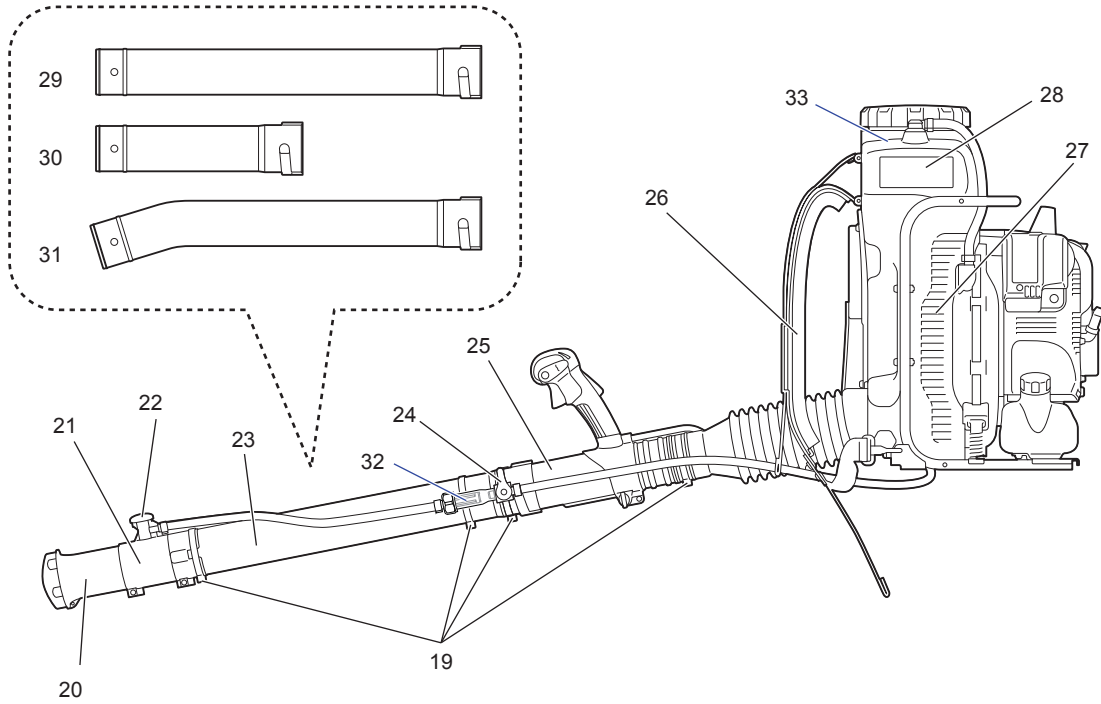
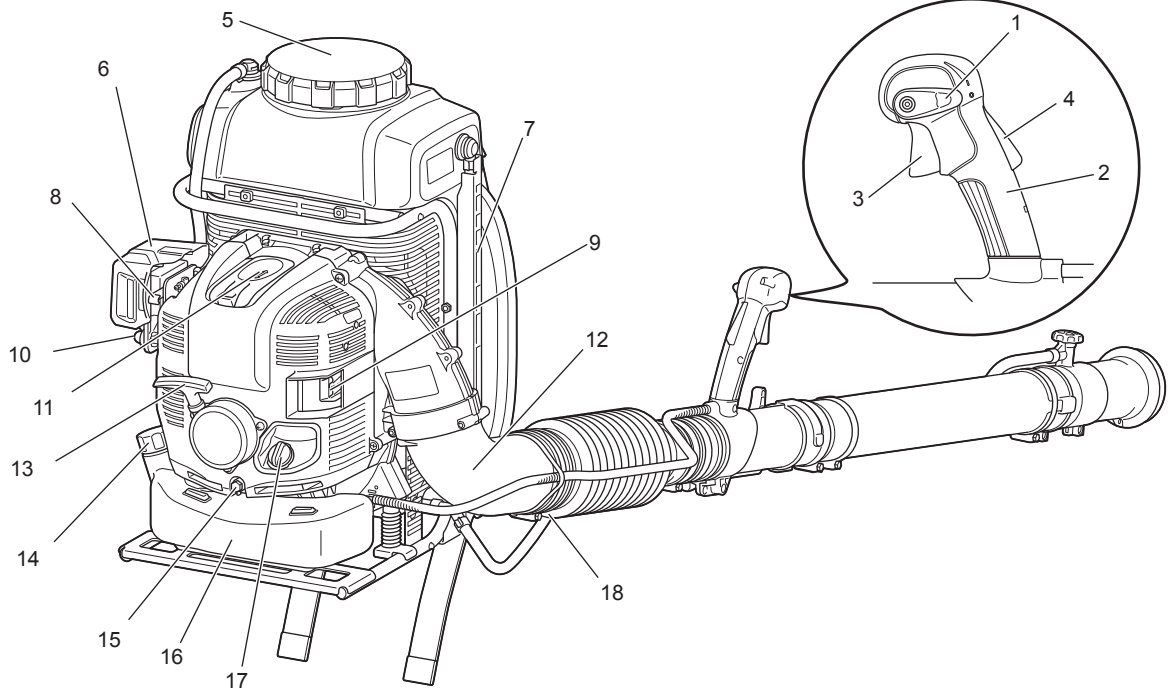
## TEKNİK VERİLER

Model		SP-7650.4 R	
Ağırlık (tam yakıt, tam kimyasal, 220 ml motor yağıyla)	(kg)	30,4	
Ağırlık (kuru ağırlık)	(kg)	14,1	
Ebat (üfleme makinesi borusu hariç U x G x Y)	(mm)	420 x 440 x 595	
Motor tipi		Hava soğutmalı, 4-zamanlı, tek silindirli	
Maksimum motor performansı	(kW)	2,7	
Maksimum motor hızı	(dak <sup>-1</sup> )	7.400	
Rölanti devri	(dak <sup>-1</sup> )	2.800	
Motor hacmi	(cm <sup>3</sup> )	75,6	
Yakıt		Otomobil benzini	
Yakıt deposu kapasitesi	(L)	1,8	
Motor yağı		API derecesi SF sınıfı ve üzeri SAE 10W-30 yağ (4-zamanlı otomobil motoru yağı)	
Motor yağ hacmi	(L)	0,22	
Karbüratör (Diyafram-karbüratör)		WALBRO WYK	
Buji		NGK CMR6A	
Elektrot boşluğu	(mm)	0,7 – 0,8	
Solüsyon tankı kapasitesi	(L)	15,0	
Püskürtme aralığı (Yatay / Dikey)	(m)	16 / 13	
Maks. hava hızı	(m/sn)	85	
Hava akış hızı	(m <sup>3</sup> /dak)	14,1	
ISO 22867'ye göre titreşim	a <sub>hv eq</sub>	(m/sn <sup>2</sup> )	2,7
	Belirsizlik K	(m/sn <sup>2</sup> )	0,8
ISO 22868'e göre ortalama ses basıncı seviyesi	L <sub>FA eq</sub>	dB (A)	95,4
	Belirsizlik K	dB (A)	2,9
ISO 22868'e göre ortalama ses gücü seviyesi	L <sub>WA eq</sub>	dB (A)	110,1
	Belirsizlik K	dB (A)	1,3

Not:

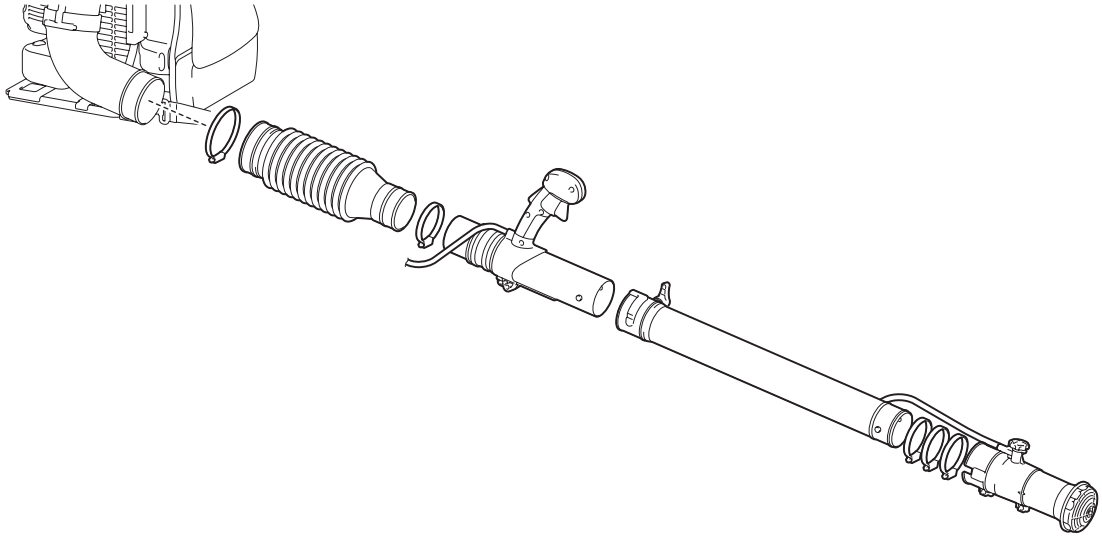
1. Tabloda belirtilen yağı ve bujiyi kullanın.
2. Bu spesifikasyon haber vermeksizin değiştirilebilir.
3. Atomizerin solüsyonla birlikte net ağırlığının 25 kg olması için 10 L seviye çizgisini referans olarak kullanın.
4. Titreşim ve gürültü seviyeleri düz boru (uzun) kullanılarak ölçülür.

## PARÇALARIN GÖSTERİMİ



1. Durdurma kumanda kolu	12. Dirsek	23. Düz boru
2. Kumanda kolu	13. Marş kolu	24. Solüsyon boşaltma kolu
3. Gaz düğmesi	14. Yakıt deposu kapağı	25. Mafsal borusu
4. Güvenlik kilidi kolu	15. Yağ boşaltma civatası	26. Omuz askısı
5. Solüsyon tankı kapağı	16. Yakıt deposu	27. Hava giriş ızgarası
6. Hava temizleyici kapağı	17. Yağ kapağı	28. Solüsyon tankı
7. Solüsyon seviyesi kontrol borusu	18. Hortum kelepçesi (çapı 100 mm)	29. Düz boru (uzun) (isteğe bağlı aksesuar)
8. Jigle kolu	19. Hortum kelepçesi (çapı 76 mm)	30. Düz boru (kısa) (isteğe bağlı aksesuar)
9. Susturucu	20. Üst nozül	31. Eğik boru (isteğe bağlı aksesuar)
10. Ana pompa	21. İkinci nozül	32. Boru bağlantısı filtresi
11. Buji kapağı	22. Sıvı ayar düğmesi	33. Solüsyon tankı filtresi (solüsyon tankının içindeki)

# MONTAJ TALİMATLARI



## Atomizer borularının monte edilmesi

### ⚠ DİKKAT:

- Atomizer üzerinden herhangi bir iş yapmadan önce daima motoru durdurun ve buji konektörlerini bujiden çıkarın.
- Daima koruyucu eldiven takın!
- Atomizeri yalnızca makineyi tamamen monte ettikten sonra başlatın.
- Montajdan sonra tüm hortum kelepçelerinin sıkı olduğundan emin olun.

### NOT:

- Kelepçeleri sıkılırken, cıvata başlarını şekilde gösterildiği gibi dış kısma getirin.

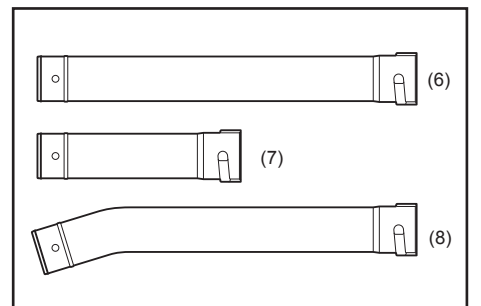
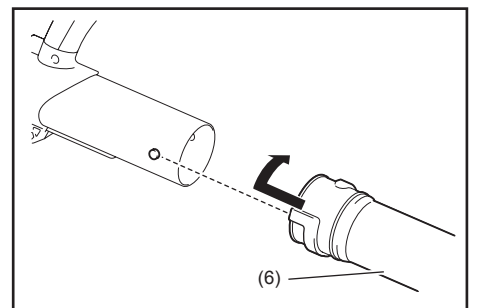
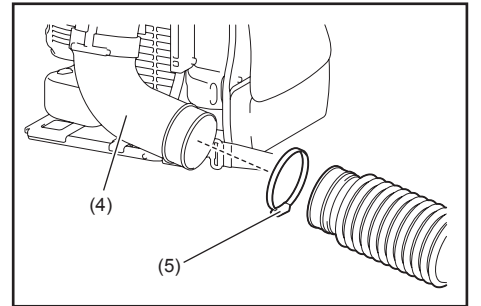
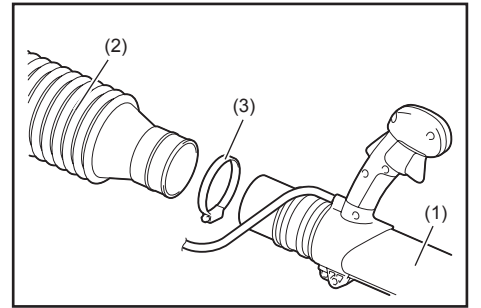
1. Mafsals borusunu (1) esnek boru (2) ile birleştirin.  
76 mm çaplı kelepçeyle sıkıştırın (3).

2. Esnek boruyu atomizerin dirseğine (4) takın.  
100 mm çaplı kelepçeyle sıkıştırın (5).

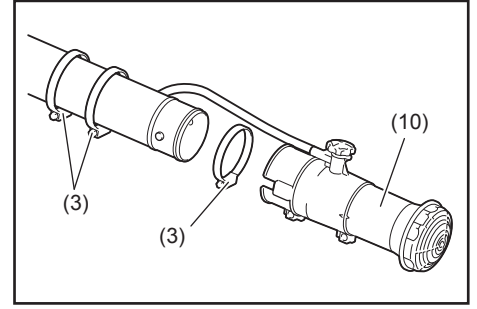
3. Düz boruyu (6) mafsals borusu (1) ile birleştirin.  
Düz borunun yivli kısmını mafsals borusu üzerindeki çıkıntıyla aynı hizaya getirin ve düz boruyu tık sesi duyulana kadar çevirin, ardından 76 mm çaplı kelepçeyle sıkılayın (3).

### NOT:

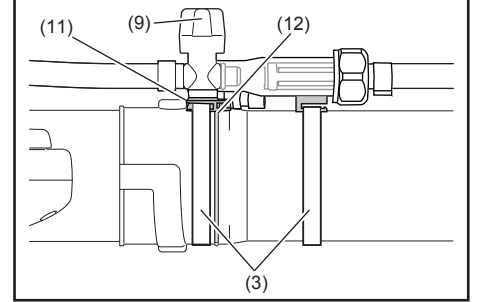
- Yukarıda bahsedilen düz boru aşağıdaki üç borudan ibarettir ve işinizin gereklerine bağlı olarak istenilen boru kullanılabilir.
    - Düz boru (uzun) (6)
    - Düz boru (kısa) (7)
    - Eğik boru (8)
- Ülkeden ülkeye farklılık gösterebilecek şekilde, yukarıdaki borulardan yalnızca biri ya da bunların bir kombinasyonu atomizerinizle birlikte standart ekipman olarak sunulmuştur.  
Kalan diğer boru türlerinin isteğe bağlı aksesuar olarak temin edilmesi gerekecektir.



4. 76 mm çaplı iki kelepçeyi (3) boruya gevşek olarak takın (bu kelepçeler solüsyon boşaltma kolunu ve boru bağlantısını daha sonra sıkılaştırmak için kullanılır). İkinci nozülü (10) düz boru ile birleştirin. Bunları 76 mm çaplı başka bir kelepçeyle sıkıştırın (3).



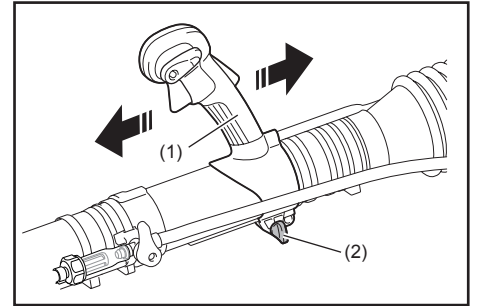
5. Solüsyon boşaltma kolunu (9) borunun üzerine yerleştirin. Kolun taban kısmının açık tarafının (11) mafsal borusuna baktığından emin olun. Kolun taban kısmını düz borunun (12) çıkıntılı kısmındaki boşlukla hizalayın. Ardından 76 mm çaplı kelepçelerle (3) sıkıştırın.



6. Tüm kelepçelerin sıkı olduğunu kontrol edin.

### Kumanda kolunun ayarlanması ve sabitlenmesi

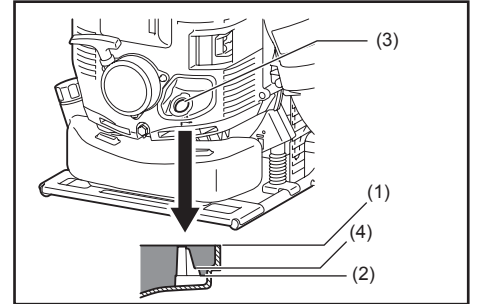
1. Makineyi sırtınıza takın ve omuz askısını ayarlayın (bkz. "Omuz askısının ayarlanması").
2. Kumanda kolunu (1) boru üzerinde en rahat yere getirin.
3. Ardından düğmeyi döndürerek kumanda kolunu sıkılayın (2).



## MOTORU BAŞLATMADAN ÖNCE

### 1. Motor yağının kontrol edilmesi ve doldurulması

- 1) Motor yağı soğukken yani atomizer çalışmadığı zaman aşağıdaki prosedürü izleyin.
  - Kontrol: Atomizeri düzgün bir yüzeye yerleştirin ve yağ kapağını çıkarın. Yağ seviyesinin, yağ seviyesi göstergesinin (3) üst (1) ve alt (2) sınır işaretleri arasında olduğunu kontrol edin. Yağ, 100 ml seviyesinden (4) daha azsa yeni yağ doldurun.
  - Yağ ekleme: Atomizeri düzgün bir yüzeye yerleştirin ve yağ kapağını çıkarın. Yağ seviye göstergesinin üst sınırına kadar yağ doldurun.
- 2) Ortalama olarak motor yağının genellikle her 20 saat çalışmada bir eklenmesi gerekir. Bu yağ değiştirme aralığı atomizeri yaklaşık 10 – 15 sefer yeniden doldurmaya karşılık gelir.
- 3) Yağı, kirlendiğinde veya dikkati çekecek ölçüde renk değiştirdiğinde değiştirin. (Yağ değiştirme prosedürü ve sıklığı için P. 256 bölümüne bakın.)
  - Önerilen yağ: DOLMAR orijinal yağ veya SAE10W-30 yağ, API SF sınıfı veya üstü (otomobiller için 4-zamanlı motor yağı)
  - Yağ kapasitesi: Yaklaşık 0,22 l (220 ml)



### ⚠ DİKKAT:

- Atomizer dik olarak saklanmazsa seviye göstergesinden motora yağ akabilir ve yağ seviyesi kontrol edilirken hatalı ölçüme neden olabilir. Bu ise motor yağı eklerken yanlışlıkla fazla doldurmaya yol açabilir. Daima dik konumda saklayın.
- Üst yağ sınırı aşırsa, bu durum yağın kirlenmesine ve fazla yağın yanmasından kaynaklanan beyaz bir duman çıkmasına neden olur.

### Kontrol Noktası #1: Yağ eklerken yağ kapağı ile ilgili kontroller

- Yağ kapağını çıkarmadan önce açıklığın etrafındaki kiri ve pisi silip temizleyin.
- Yağ kapağını çıkarın ve kum, kir ve diğer yabancı maddelerin bulaşmaması için temiz bir yüzeye yerleştirin. Gerekli özen gösterilmezse bu tip maddeler kapağa yapışarak motor yağını bozabilir. Kum, kir ve yabancı maddeler içeren kirli bir yağ yetersiz yağlanma nedeniyle motorda aşırı bir aşınmaya neden olabilir ve bu durum arıza ile sonuçlanabilir.

## Kontrol Noktası #2: Yağ eklerken yağ dökülürse

- Atomizerin dışına yağ dökülürse motor yağı kirlenip bozulabilir. Bu sebeple motoru başlatmadan önce dökülen yağ varsa silip temizleyin.

## 2. Yakıt beslemesi

### ⚠ UYARI:

- Yakıt doldururken tutuşma veya yangını önlemek için aşağıdaki talimatlara mutlaka uyun:
  - Yakıt dolumu ateşten uzak bir yerde yapılmalıdır. Yakıt dolumu yapılan yerin yakınına asla ateş (sigara, vb.) getirmeyin.
  - Yakıt doldurmadan önce motoru durdurun ve motorun soğumasını bekleyin.
  - Düz bir yüzeyde yakıt doldurun. Sabit olmayan veya iyi havalandırılmayan yerde yakıt doldurmayın.
  - İyi ışık ve görüş koşullarında yakıt doldurun.
  - Açık temiz bir yerde yakıt doldurun.
  - Yakıt dolu olan yakıt deposu kapağını yavaşça açın. İç basınçtan dolayı yakıt dışarı sıçrayabilir.
  - Yakıtı dökmemeye dikkat edin. Dökülen yakıt silinerek temizlenmelidir.
  - Gerekenden fazla miktarda yakıt koymayın.
  - Yakıt dolumunu iyi havalandırılan bir yerde yapın.
- Yakıtı dikkatli bir şekilde kullanın.
  - Cilde yapışan veya göze giren yakıt alerji veya tahrişe neden olabilir. Herhangi bir fiziksel anormallik tespit edilmesi durumunda derhal tıbbi uzmana başvurun.

## Yakıt saklama süresi

İyi havalandırılan ve doğrudan güneş görmeyen bir yerde özel bir kapta saklansa bile yakıtın 4 hafta içerisinde tüketilmesi gerekir. Özel bir kap kullanılmazsa ya da kap kapatılmazsa yakıt bir gün içinde bozulabilir.

## Makine ve dolum deposunun saklanması

- Makineyi ve depoyu doğrudan güneş ışığı almayan, serin bir yerde muhafaza edin.
- Kesinlikle yakıtı araç içinde ya da bagajda bırakmayın.

## Yakıt

Motor 4-zamanlı bir motordur. Mutlaka otomobil benzini (normal benzin veya süper benzin) kullanın.

## Yakıt hususları

- Asla motor yağı içeren yakıt karışımı kullanmayın. Aksi takdirde, aşırı karbon birikimi veya mekanik hasarlar meydana gelebilir.
- Bozulmuş yakıt kullanılması, çalıştırma sorunlarına yol açabilir.

Yakıtı doldururken motoru durdurduğunuzdan ve motorun soğuduğundan emin olun.

## Yakıt doldurma yöntemi

- Atmosfer basıncında değişiklik olmaması için tankın kapağını bir miktar gevşetin.
- Depo kapağını çıkartın ve yakıt doldurun. Bu işlem sırasında yakıt doldurma deliği yukarı bakacak şekilde yakıt deposunu eğerek depo içerisinde havanın boşalmasını sağlayın. (Yakıtı asla yağ doldurma deliğine kadar tankın tamamı dolacak şekilde doldurmayın).
- Yakıt doldurduktan sonra, depo kapağını sıkıca kapatın.
- Depo kapağında kusur veya hasar varsa, değiştirin.
- Aksi takdirde tank kapağı aşınır. Her iki veya üç yılda bir tank kapağını değiştirin.

# MOTORU BAŞLATMA VE DURDURMA

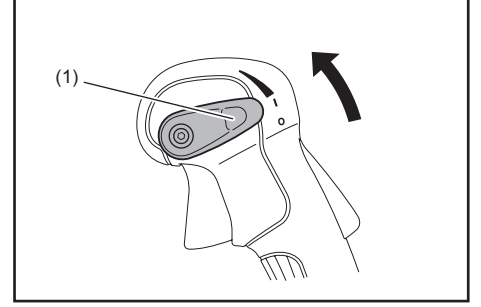
## 1. Başlatma

### ⚠ UYARI:

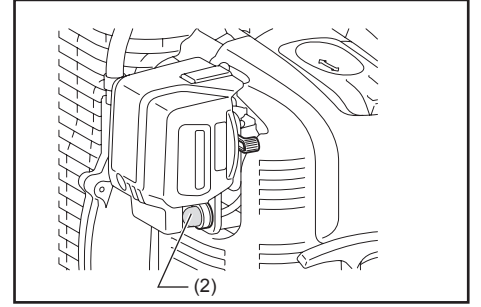
- Motoru asla yakıt dolumu yapılan yerde başlatmaya çalışmayın. Motoru başlatırken en az 3 m mesafe bırakın.  
– Aksi takdirde, tutuşma veya yangına neden olabilir.
- Motordan çıkan egzoz gazı zehirlidir. Motoru tünel, bina, vb. gibi iyi havalandırılmayan yerlerde çalıştırmayın.  
– Motorun iyi havalandırılmayan yerlerde çalıştırılması egzoz gazından zehirlenmeye neden olabilir.
- Başlattıktan sonra ses, koku veya titreşimde herhangi bir anormallik tespit edilmesi durumunda motoru hemen durdurun ve kontrol edin.  
– Motor, böyle bir anormalliğe kulak vermeden çalıştırılırsa kaza meydana gelebilir.
- Durdurma kumanda kolu "O" konumuna alındığında motorun durduğunu kontrol edin.
- Makineyi başlatmadan önce solüsyon boşaltma kolunun kapalı olduğundan emin olun.

### 1) Motor soğukken veya yakıt doldurduktan sonra (soğuk çalıştırma):

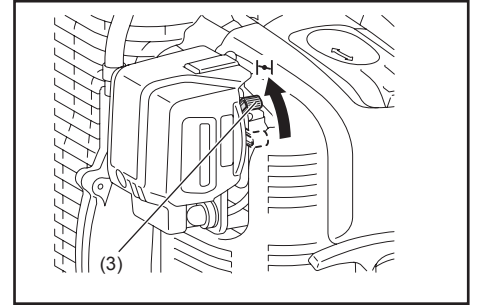
- (1) Bu makineyi düz bir zemin üzerine yerleştirin.
- (2) Durdurma kumanda kolunu (1) "I" konumuna alın.



- (3) Yakıt ana pompaya girene kadar ana pompaya (2) art arda bastırmaya devam edin.
  - Yakıt genellikle 7 ila 10 kez basıldığında karbüratöre ulaşır.
  - Ana pompaya çok fazla basılırsa, fazla benzin yakıt deposuna geri döner.

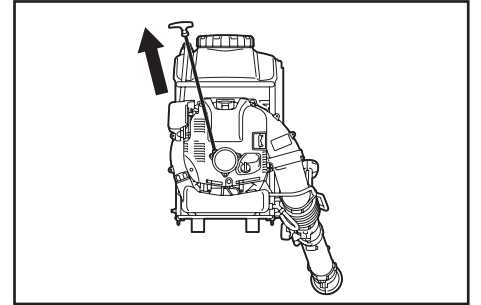


- (4) Jikle kolunu kaldırın (3).

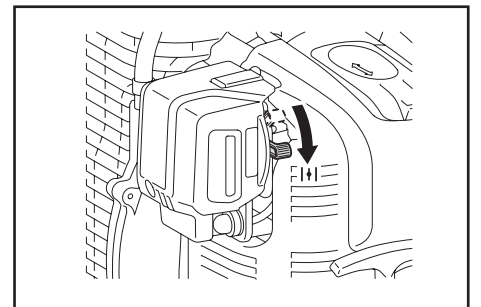


- (5) Motorun hareket etmesini önlemek için hava temizleyici kapağını sol elle tutun, sabit konuma gelmesini sağlayın.

- (6) Marş kolunu, sıkıştırmayı hissedene dek yavaşça çekin. Ardından güçlü bir şekilde çekin. Motoru başlatmak için iki-üç sefer denemeniz gerekebilir.
  - İpi sonuna kadar çekmeyin.
  - Marş kolunu hafifçe yuvasına geri getirin. Aksi takdirde çekilmiş olan marş kolu vücudunuza vurabilir veya düzgün bir şekilde geri sarılamayabilir.



- (7) Motor çalışmaya başladığında, bir yandan motorun çalışmasını kontrol ederken, jikle kolunu kademeli bir şekilde açın. Sonunda jikle kolunun tamamen en alt konuma geldiğinden emin olun.
  - Hava veya motor soğurken, jikle kolunu yavaşça indirin. Aksi takdirde motor durabilir.



- (8) Kumanda sapından kavrayın (kilitleme kolu kavrama ile birlikte açılır) ve gaz düğmesini ısınma çalışması için çekin. Isıtma işlemine 2 ila 3 dakika devam edin.

- (9) Motorun dönüşü stabilize olduğunda ve motor yavaştan hızlıya doğru yumuşak bir şekilde kısma mandalı ile hızlandığında ısınma çalışması tamamlanır.



## NOT:

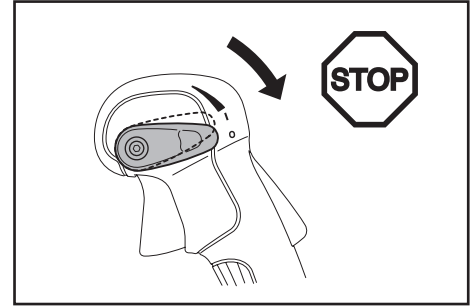
- Jigle kolu "CLOSE" (kapalı) konumdan daha ileri alınırsa motor hasar görebilir.
- Motor bir patlama sesi ile durursa veya motor çalışır fakat jigle kolunun çalışmasından önce durursa, kolu "OPEN" (açık) konuma döndürün ve motoru tekrar başlatmak için marş kolunu birkaç kez çekin.
- Kullanıcı, jigle kolu "CLOSE" (kapalı) konumda bırakılmış olarak marş kolunu birkaç kez çekmeye devam ederse yakıtın fazla emilmesinden dolayı motorun çalıştırılması zor olabilir.
- Yakıtın fazla emilmesi durumunda bujiyi çıkarın ve fazla yakıtı boşaltmak için kolu birkaç kez hızlı bir şekilde çekin. Buji tırnağını kurulaştırın.
- Gaz düğmesi düşük hıza ayarlı olsa bile gaz valfi rölanti ayar vidasına temas edecek konuma dönmezse valfin uygun bir şekilde dönmesini sağlamak üzere kontrol kablosu yakalama durumunu düzeltin.

### 2) Motor sıcakken (sıcak çalıştırma)

- (1) Motoru düz bir yüzeye yerleştirin.
- (2) Ana pompa birkaç kez basın.
- (3) Jigle kolunun açık olduğunu kontrol edin.
- (4) Motorun hareket etmesini önlemek için hava temizleyici kapağını sol elle tutun, sabit konuma gelmesini sağlayın.
- (5) Marş kolunu, sıkıştırmayı hissedene dek yavaşça çekin. Ardından güçlü bir şekilde çekin.
- (6) Motoru başlatmakta zorlanıyorsanız gaz valfini yaklaşık 1/3 açın.

## 2. Durdurma

- 1) Motor hızını azaltmak için gaz düğmesini bırakın ve durdurma kumanda kolunu "O" konumuna alın.



## RÖLANTİ HIZININ AYARLANMASI

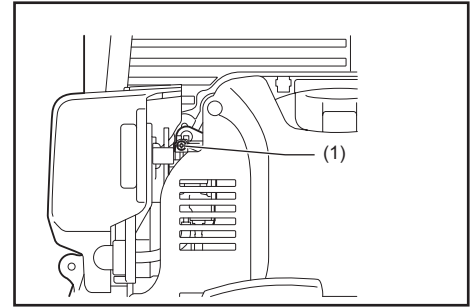
### ⚠ TEHLİKE:

- Karbüratörün ayarı teslimattan önce fabrikada yapılmıştır. Rölanti ayarı dışında asla ayarlamayın. Ayarlama yapılması gerekirse, lütfen yetkili servis merkezimize başvurun.

### Rölanti hızının kontrolü

Rölanti hızını 2.800 dak<sup>-1</sup> olarak ayarlayın.

- Devir hızının değiştirilmesi gerekirse ayar vidasını (1) yıldız tornavida ile ayarlayın.
- Ayar vidası sağa döndürülürse motor devri artar. Ayar vidası sola döndürülürse motor devri düşer.



## ÇALIŞTIRMA YÖNTEMİ

### Filtrenin takılması

Atomizerin solüsyon tankının ağzında ve boru girişinin baş kısmında filtreler mevcuttur.

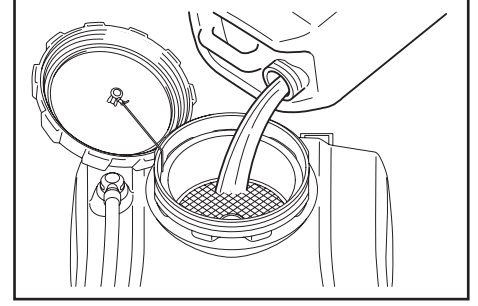
Filtrenin takılı olduğundan daima emin olun.

Filtreyi takmak için iterek yerine oturtun.

Filtreyi çıkarmak için çekerek çıkarın.

#### ⚠ UYARI:

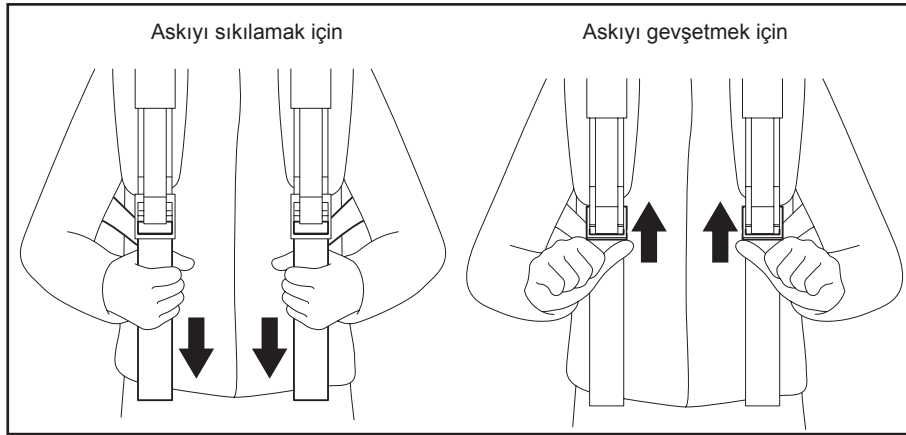
- Tank kapağını dikkatlice sıkın. Tank kapağı sıkılmazsa solüsyon sızabilir, basınçta düşüş ve benzeri sorunlar çıkabilir.



### Omuz askısının ayarlanması

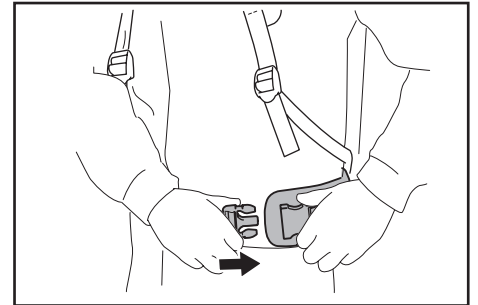
Omuzu askısını atomizeri taşıırken rahat çalışılabilecek bir uzunluğa ayarlayın.

Şekilde gösterildiği gibi ayarlayın.



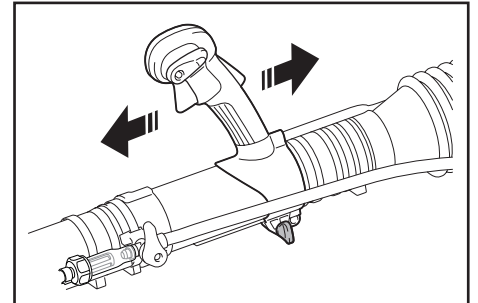
### Bel kayışı (isteğe bağlı aksesuar)

Bel kayışı (isteğe bağlı aksesuar) operatörün aleti daha dengeli taşımasını sağlar.



### Kumanda kolunun ayarlanması

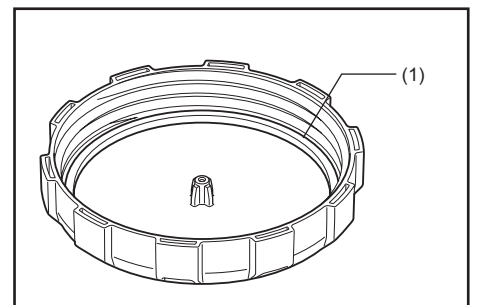
Kumanda kolunu mafsal borusu üzerinde en rahat yere getirin.



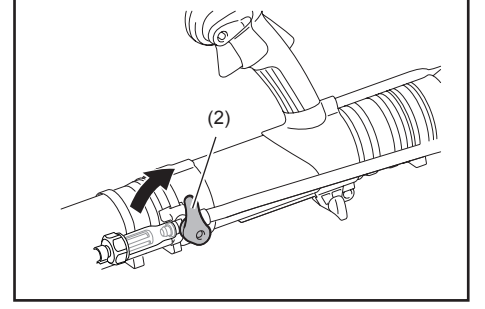
### Solüsyon tankının doldurulması

1. Contanın (1) iyi durumda olduğundan emin olun ve gres yağı ile yağlayıp temizleyin.

2. Atomizeri düz bir yüzeye yerleştirin.



3. Solüsyon tankını doldurmadan önce solüsyon boşaltma kolunu (2) kapattığınızdan emin olun.



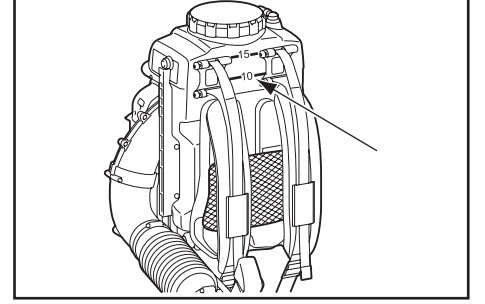
4. Solüsyon tankı 15 litre solüsyon alabilir.

Tank dolu olduğunda solüsyon dahil toplam ağırlık yaklaşık 30 kg'dır.

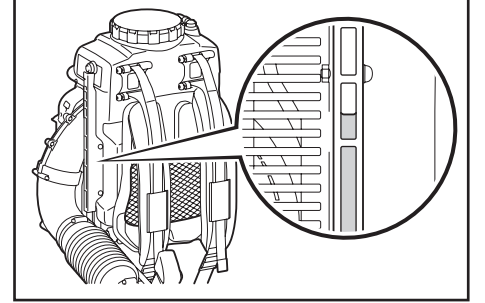
Solüsyonun miktarını ayarlayarak solüsyon dolu iken atomizerin çok ağır olmamasını ve bir operatörün gücünün yeteceği sınırlar dahilinde olduğundan emin olun.

10 litre solüsyon eklendiğinde (yani eklenen solüsyonun seviye işareti tankın yan tarafında bulunan 10 litre işaretini gösterdiğinde) toplam ürün ağırlığı yaklaşık 25 kg'dır.

Makinenin toplam ağırlığının erkekler için 30 kg'ı, kadınlar için ise 25 kg'ı aşmaması tavsiye edilir.

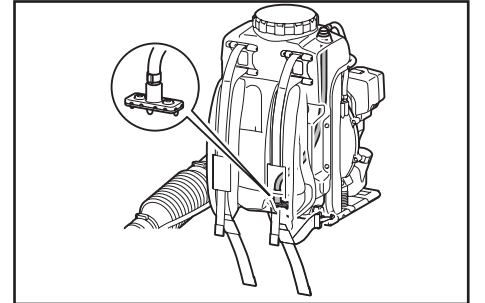


Solüsyon tankındaki solüsyon miktarını kontrol etmek için atomizerin yan tarafındaki boruda bulunan solüsyon seviyesini referans olarak kullanın.



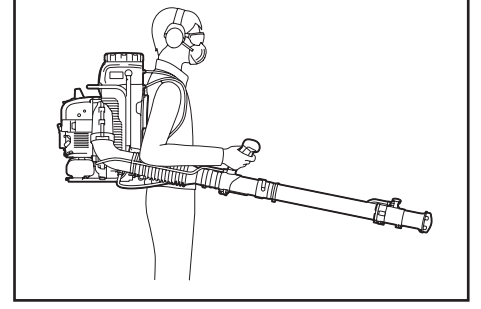
### Solüsyon karıştırma işlevi

Solüsyon tankındaki solüsyon karıştırma cihazı solüsyonun püskürtme işlemi sırasında oluşan hava kabarcıkları ile karışmasını sağlar.

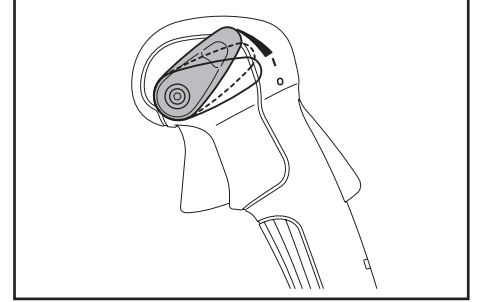


## Atomizerin kullanılması

Motor hızını artırmak için, kumanda sapından kavrayın (kilitleme kolu kavrama ile birlikte açılır) ve gaz düğmesini çekin.  
Gaz düğmesine uygulanan basınç motor hızının kontrolünü sağlar.

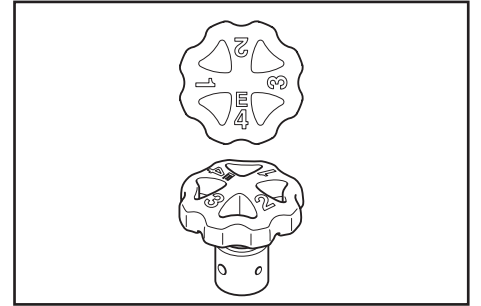


Durdurma kumanda kolunun konumu gaz düğmesinin açısını sınırlandırabilir. Durdurma kumanda kolu için dört konum mevcuttur. "O" (motoru durdurma), "I", gaz düğmesi açısını sınırlandıran iki konum. "I" konumu motor hızını kısıtlamaz (gaz düğmesini tamamen çekebilirsiniz). Gaz düğmesinin açısı "I" konumunun bir basamak üstünde kısıtlanır. Durdurma kumanda kolunu "I" konumunun üstünde bir basamak daha hareket ettirseniz gaz düğmesi daha fazla kısıtlanmış olur. Çalışma sırasında motor hızını çalışma yeri be koşullarına uygun olarak ayarlayın.



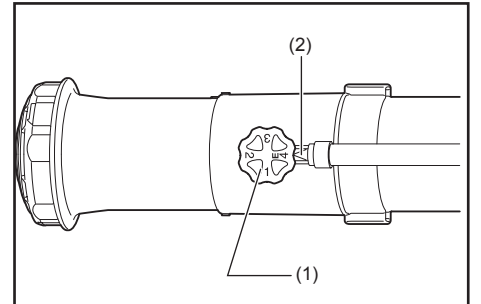
## Sıvı ayar düğmesi

Sıvı ayar düğmeleri biz dizi farklı boşaltma hızları sunar.



Boşaltma hızının ayarlanması

Sıvı ayar düğmesi üçgen işareti (2) ile hizalanacak şekilde istenen boşaltma hızını elde etmek için ikinci nozül üzerindeki sıvı ayar düğmesini (1) döndürün.



Boşaltma hızı

Düz boruyu yatayla 0 derece ile eksi dereceler arasında bir açı yapacak şekilde tutarak püskürtme yapın.

Düğme konumu	Boşaltma hızı (L/dak) (ortalama değer)
1	0,36
2	1,0
3	1,6
4	2,5

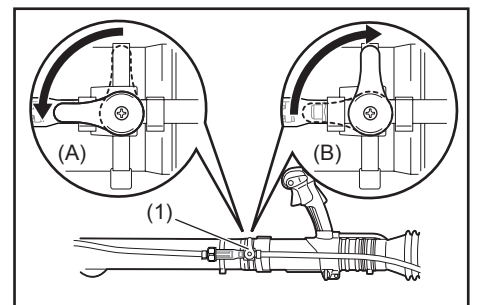
### NOT:

- Yukarıdaki tabloda gösterilen rakamları kullanım için bir kılavuz olarak kullanın, bu rakamlar solüsyon tankında kullanılan kimyasal solüsyonun yoğunluğuna göre değişebilir.

## Solüsyon boşaltma kolu

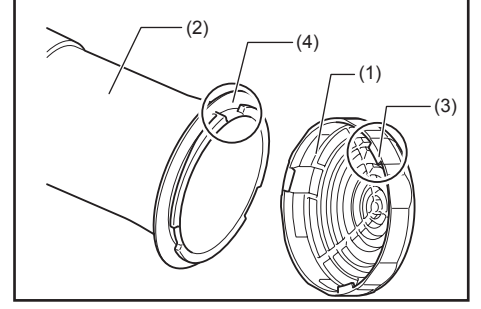
Solüsyon beslemeyi başlatmak için (A), solüsyon boşaltma kolunu (1) boruya yatay olarak döndürün.

Solüsyon beslemeyi durdurmak için (B), solüsyon boşaltma kolunu boruya dikey olarak döndürün.

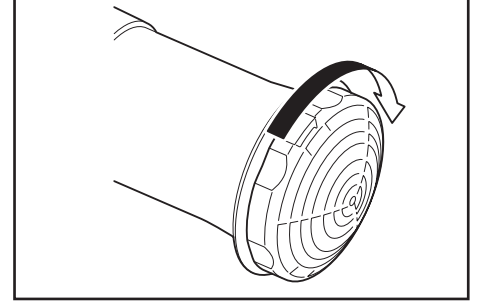


### Sıçrama önleyici kapağın takılması

Sıçrama önleyici kapağı (1) takmak için, sıçrama önleyici kapağı çıkıntılı kısmı (3) üst nozıldaki çentik (4) ile hizalanacak şekilde üst nozıla (2) takın.



Sıçrama önleyici kapağı saat yönünde tam olarak çevirerek çıkarın.



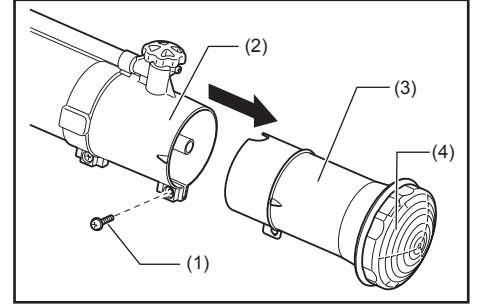
Sıçrama önleyici kapağı çıkarmak için de yukarıdaki işlemin tersini uygulayın.

### Nozılın “az miktarda solüsyon boşaltma noziline” (isteğe bağlı aksesuar) çevrilmesi

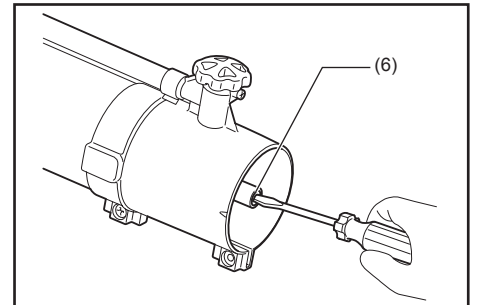
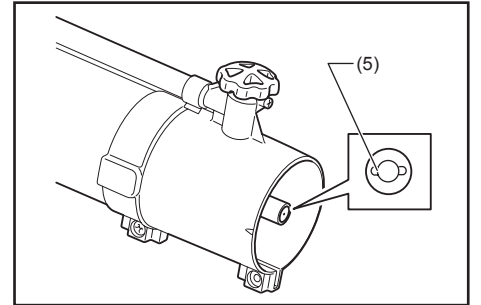
Az bir miktar solüsyonun püskürtülmesi gerektiğinde, nozıl kapağını makine ile birlikte sağlanan küçük boşaltma delikli farklı bir tip nozıl kapağı ile değiştirin.

Nozılı değiştirmek için, aşağıdaki prosedürü izleyin.

1. İkinci nozılın (2) üzerindeki vidayı (1) sökün, ardından üst nozılı (3) ve sıçrama önleyici kapağı (4) çıkarın.



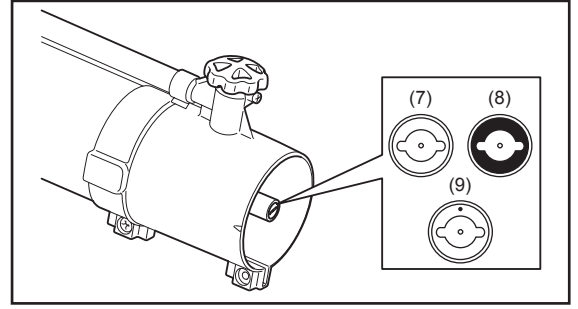
2. Düz uçlu bir tornavidayı nozılın üst kısmındaki yarığa (5) yerleştirin ve saatin aksi yönde sonuna kadar çevirerek nozıl kapağını (6) çıkarın.



3. Küçük boşaltma delikli diğer nozılı takın.

**NOT:**

- Kullanacağınız kimyasalın cinsine (viskozitesine) göre bu iki nozıldan uygun olanı seçin.



Nozıl tipi	Kimyasalın viskozitesi	Kimyasal örneği	Boşaltma hızı (L/dak)**1
Alüminyum nozıl (gümüş renk) (7) *2	Yüksek	MALATHION (Yağ ile karışım.)	0,14
Pirinç nozıl (altın renk) (8) *2	Düşük	Aqua K-Othrine (Suyla karışım.)	0,075
Zimba işaretli pirinç nozıl (altın renk) (9) *2	Düşük	Cipermetrinato (Suyla karışım.)	0,060

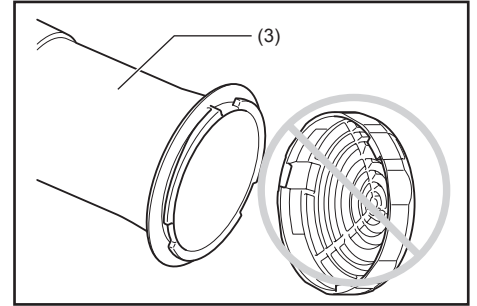
**Not 1:** Tabloda gösterilen boşaltma hızı sadece su kullanılarak ölçülmüştür ve kılavuz niteliğindedir. Bu hız kullanılan kimyasallara göre değişebilir.

**Not 2:** Atomizerle birlikte sağlanan nozıl tipi ya da tipleri ülkeden ülkeye farklılık gösterebilir.

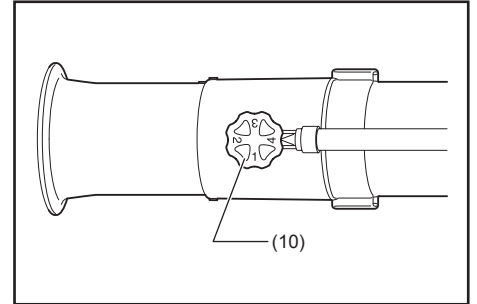
4. Üst nozulu (3) takın ve vida (1) ile sabitleyin.

**NOT:**

- Yukarıda bahsedilen "az miktarda solüsyon boşaltma nozulu" kullanılırken sıçrama önleyici kapağı (4) takmayın ve kaybetmemek için bir kenara ayırın.



5. Düğmeyi (10) dördüncü konuma getirin.

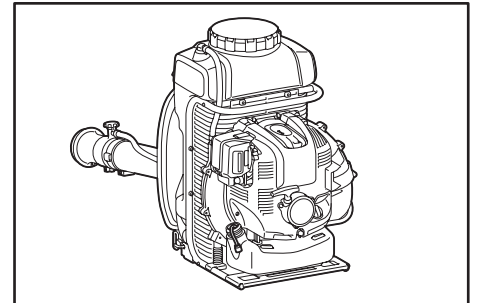


## ATOMİZERİN NAKLEDİLMESİ

Atomizeri naklederken veya saklarken lütfen dik konumda tutun. Dik olmayan bir pozisyonda nakletmek veya saklamak atomizerin motorunun içine yağ dökülmesine neden olabilir. Bu ise yağ kaçaklarına ve yanan yağdan dolayı beyaz dumana neden olabilir ve hava filtresi yağ ile kirlenebilir.

**⚠ TEHLİKE:**

- Atomizeri naklederken motoru mutlaka durdurun.



## Solüsyon tankının boşaltılması ve temizlenmesi

### ⚠ UYARI:

- Solüsyon tankını temizlerken ve boşaltırken mutlaka kauçuk/kimyasala dayanıklı eldivenler girin.

### Solüsyon tankının boşaltılması

### ⚠ UYARI:

- Kimyasalları veya durulama sularını asla solüsyon tankının altındaki kapağı açarak boşaltmayın.
- Boşaltmadan önce ve sonra, solüsyon boşaltma kolunun kapalı olduğundan emin olun.
- Kullanım kılavuzunda anlatılan yöntem uygulandıktan sonra solüsyon tankında hala kimyasal solüsyon varsa, makineyi boru tarafına doğru eğerek kalan tüm solüsyonu boşaltın.

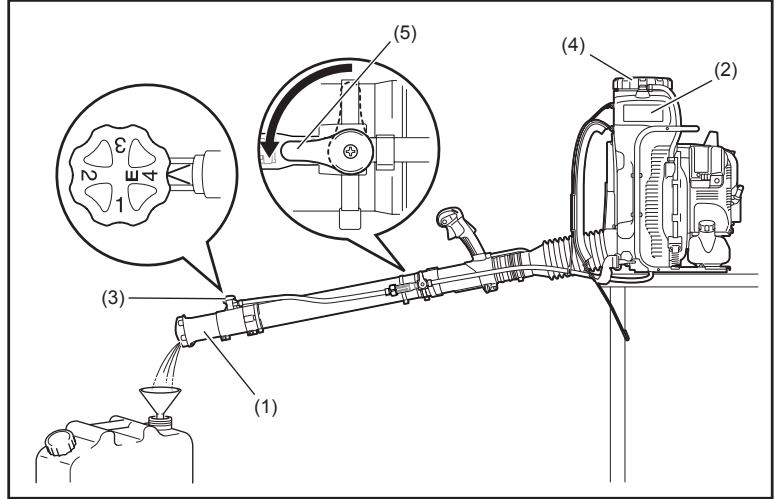
1. Atomizeri düz bir yüzeye yerleştirin. Nozülü (1) solüsyon tankının (2) tabanından daha alçak bir konuma yerleştirin ve alıcı kabı altına yerleştirin.

2. Düğmeyi (3) E konumuna getirin.

3. Tank basıncını boşaltmak için solüsyon tankı kapağını (4) bir miktar gevşetin.

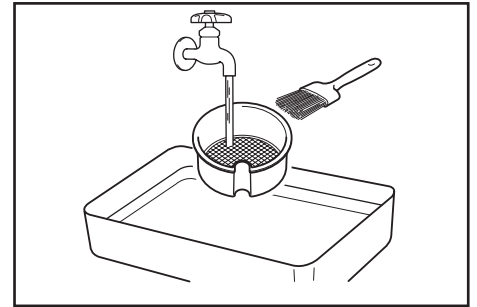
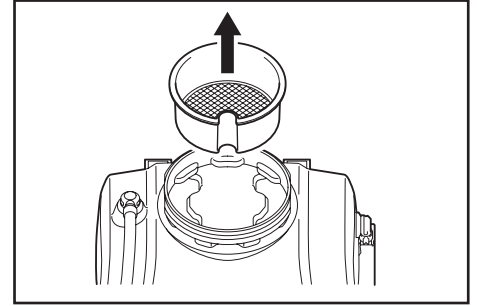
4. Solüsyon boşaltma kolunu (5) açın. Kimyasal solüsyon nozıldan boşatılır.

5. Tankın içini suyla temizleyin.



### Solüsyon tankının filtresinin temizlenmesi

Tank kapağını sökün ve tankın içindeki filtreyi çıkarın, kullanımın ardından filtreyi temizleyin.

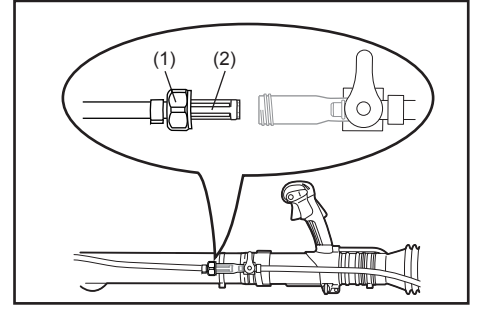


## Boru bağlantısının temizlenmesi

### ⚠ UYARI:

- Solüsyon boşaltma kolu açıkken hortum kelepçesini, boru ya da kapağı çıkarmayın.
- Solüsyon boşaltma kolu açıkken kapağı gevşetmeyin.

1. Filtre (2) ile birlikte çıkan kapağı (1) gevşetip sökün.
2. Filtredeki toz ve parçacıkları giderin.
3. Filtreyi orijinal konumuna geri koyun. Kapağı iyice sıkıştırdığınızdan emin olun.



## KONTROL VE BAKIM

### ⚠ TEHLİKE:

- Kontrol ve bakım öncesinde motoru durdurun ve soğumasını bekleyin. Bujiyi ve buji başlığını da çıkarın.
  - Motor durduktan hemen sonra veya buji kapağı takılı değilken kontrol ya da bakım işlemleri yapılmaya kalkılırsa, operatör yanık yaralanmaları veya dikkatsiz başlatmadan kaynaklanan kazalara maruz kalabilir.
- Kontrol ve bakım sonrasında tüm parçaların takıldığından emin olun. Ardından çalıştırın.
- Kontrol ve bakım işlemleri için mutlaka kauçuk/kimyasala dayanıklı eldivenler giyin.

### ÖNEMLİ NOT:

- Benzin, tiner, alkol ve benzeri maddeleri kesinlikle kullanmayın. Renk değişimi, deformasyon veya çatlaklar oluşabilir.

## Motor yağı değişimi

Bozuk motor yağı kayan ve dönen parçaların ömrünü önemli ölçüde azaltır. Değişim periyodunu ve miktarını mutlaka kontrol edin.

### ⚠ TEHLİKE:

- Genel olarak, motor durduktan hemen sonra motorun ana ünitesi ve motor yağı hala sıcaktır. Yağ değişiminde motor ana ünitesi ile motor yağının yeteri kadar soğuduğundan emin olun. Aksi takdirde yanma riski olabilir. Ayrıca, motor durduktan sonra yağın hepsi hemen motor karterine dönmeyebilir. Yağ seviyesini motor durduktan hemen sonra kontrol etmeyin.
- Yağ sınırı geçecek şekilde doldurulursa, kirlenebilir veya çalışma sırasında beyaz bir duman çıkartarak yanabilir.

**Değiştirme sıklığı:** Başlangıçta, ilk 20 saatlik çalışma sonrası ve sonrasında her 50 saatlik çalışma saatinde bir

**Önerilen yağ:** API Sınıfı SAE10W-30 yağ, SF Sınıfı ve üzeri (4-zamanlı otomobil motor yağı)

## Yağ değiştirme prosedürü

1. Atomizeri düz bir yüzeye yerleştirin.
2. Boşalan yağı toplamak için boşaltma deliğinin (1) altına bir atık yağ kabı koyun. Yağın tamamını alabilmesi için kabın kapasitesi en az 220 ml olmalıdır.
3. Yağın boşalması için yağ boşaltma civatasını (2) gevşetin. Yağın yakıt deposu ve diğer parçaların üzerine gelmemesine dikkat edin.

### ⚠ DİKKAT:

- Contayı (alüminyum pul) (3) kaybetmemeye dikkat edin. Yağ boşaltma civatasını (2) üzerinde pislik birikmeyecek bir yere koyun.

4. Yağ kapağını (4) çıkarın. (Yağ kapağının (4) çıkarılması yağın kolayca boşalmasını sağlar.)

### ⚠ DİKKAT:

- Yağ kapağını (4) üzerinde pislik birikmeyecek bir yere koyun.

5. Boşaltılan yağın seviyesi düşerken yağın tamamen boşaltılması için atomizeri boşaltma deliğinin olduğu tarafa doğru yatırın.

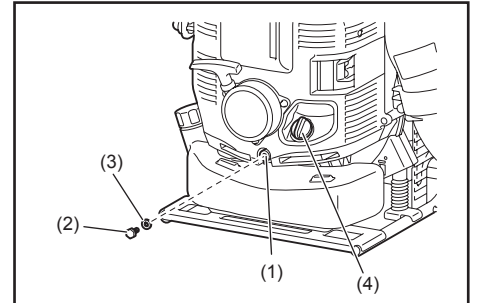
6. Yağ tamamen boşaldıktan sonra yağ boşaltma civatasını (2) iyice sıkılayın. Civata iyice sıkılmazsa yağ sızıntısına neden olabilir.

### ⚠ DİKKAT:

- Boşaltma tapasını yerine takarken contayı (alüminyum pul) (3) koymayı unutmayın.

7. Yağ değiştirme prosedürü sırasında yağ ekleme, seviye yeterli değilken yağ eklemek için ayrıca anlatılan prosedürle aynıdır. Yağı daima yağ kapağının altındaki ağızdan doldurun. (Belirtilen yağ seviyesi: Yaklaşık 220 ml)

8. Yağı doldurduktan sonra yağ sızıntılarını önlemek için yağ kapağını (4) iyice sıkın.





## Motor yağı deęişim hususları

- Boşaltılan motor yağını kesinlikle çöpe, toprağa veya kanalizasyon giderine dökmeyin. Yağın bertarafı ilgili kanunlara uygun şekilde gerçekleştirilmelidir. Yağın bertarafı için daima ilgili kanun ve yönetmeliklere uyun. Bilinmeyen hususlarla ilgili olarak daima Yetkili Servis Personeline danışın.
- Yağ, kullanılmadan saklansa bile bozulur. Kontrol ve deęişimi düzenli aralıklarla yapın (6 ayda bir yeni yağ ile deęiştirin).

## Hava filtresinin temizlenmesi

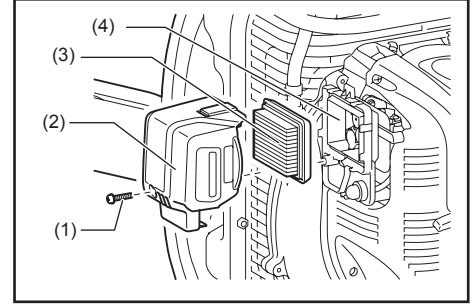
⚠ **UYARI:** YANICI MADDELER KESİNLİKLE YASAKTIR

Temizlik ve Kontrol Aralığı: Günde bir kere (her 10 çalışma saati sonunda)

1. Düğme civatasını (1) gevşetin.
2. Hava filtresi kapağını (2) çıkarın.
3. Elemanı (3) çıkarın ve üzerini fırça ile temizleyin.

### NOT:

- Eleman kuru tipte olup ıslatılmamalıdır. Asla su ile yıkamayın.
4. Hasarlı veya çok kirli ise elemanı yenisiyle deęiştirin.
  5. Hava deliğine temas eden tüm yağı bir bezle silin.
  6. Elemanı hava filtresi gövdesine takın (4).
  7. Hava filtresi kapağını takın ve tutmalı civatayı sıkın.



### ⚠ TEHLİKE:

- Fazla toz yapılırsa elemanı günde birkaç kez temizleyin.
- Eleman yağdan arındırılmamış durumda çalışmaya devam edilirse hava filtresindeki yağ dışarı çıkarak yağ kirlenmesine neden olabilir.

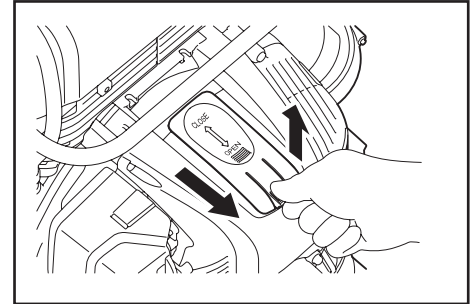
## Bujinin kontrol edilmesi

### ⚠ DİKKAT:

- Bujiyi çıkarırken silindire pislik, kum, vb. girmemesi için önce bujiyi ve silindir kapağını temizleyin.
- Silindirdeki dişli deliğe zarar verilmesini önlemek için bujiyi motor soğuduktan sonra çıkarmalısınız.
- Buji dişli deliğe düzgün bir şekilde takılmalıdır. Açık yapacak şekilde takılırsa silindirdeki dişli delik hasar görür.

#### 1. Buji kapağının açılması/kapatılması

Buji kapağını açın, buji kapağının uzantısını bağlantı yerinden yukarı doğru çekin ve sağdaki şekilde gösterildiği gibi "OPEN" (AÇIK) göstergesi yönünde kaydırın. Kapağı kapatırken, kapağı "CLOSE" (KAPALI) yönünde kaydırarak buji kapağının uzantısı altındaki kilit dilinin motor kapağının üzerine binmesini sağlayın. Son olarak uzantıyı içeri doğru itin.

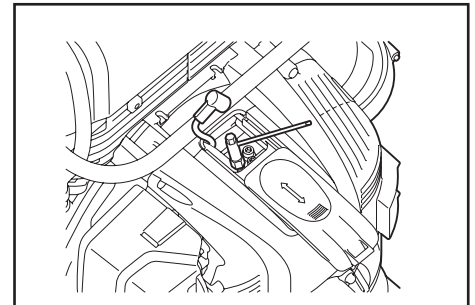


#### 2. Bujinin çıkarılması

Bujiyi takıp çıkarmak için lokma anahtarı kullanın.

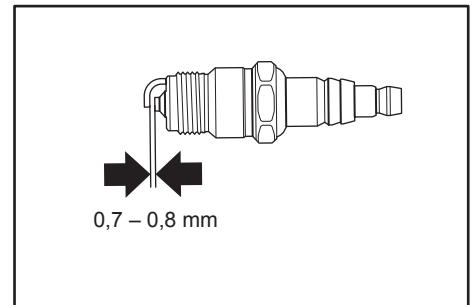
#### 3. Bujinin kontrol edilmesi

Bujinin iki elektrotu arasındaki açıklık (şekle bakınız) 0,7 ila 0,8 mm'dir. Çok geniş ya da çok dar olduğunda doğru açıklığa ayarlayın. Kömür birikmiş veya kirlenmişse bujiyi komple temizleyin veya deęiştirin.



#### 4. Bujinin deęiştirilmesi

Deęiştirmek için NGK-CMR6A kullanın.



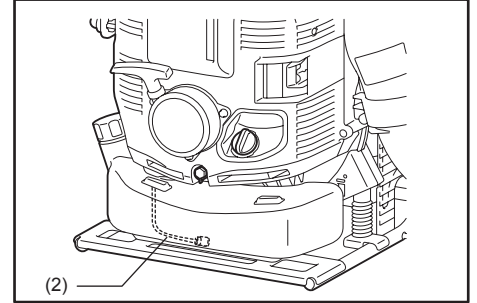
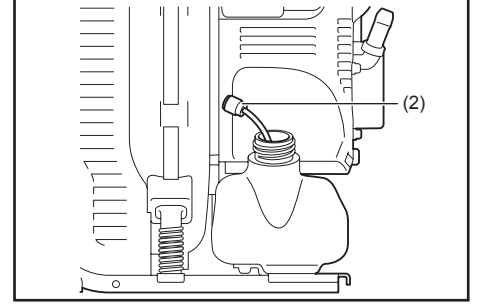
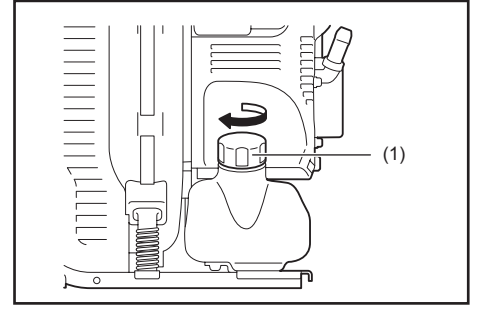
### Yakıt filtresinin temizlenmesi

- Tıkalı yakıt filtresi motorun zor çalışmasına veya motor devrinin yükselmemesine neden olabilir.
- Yakıt filtresini düzenli olarak şu şekilde kontrol edin:

1. Yakıt deposu kapağını (1) çıkarın, depoyu boşaltmak için yakıtı boşaltın. Deponun içinde herhangi bir yabancı madde olup olmadığını kontrol edin. Varsa bu maddeleri silerek temizleyin.
2. Yakıt filtresini (2) tel ile yakıt doldurma ağzından çekerek çıkarın.
3. Yakıt filtresi yüzeyi kirli ise benzin ile temizleyin. Kirli benzin yerel merciler tarafından belirtilen yöntemine uygun olarak atılmalıdır. Aşırı kirli filtre değiştirilmelidir.
4. Yakıt filtresini yakıt deposuna yeniden takın ve yakıt deposu kapağını iyice sıkın.

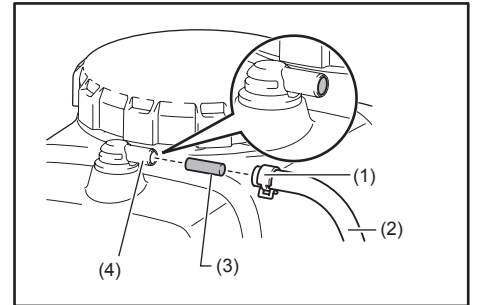
#### NOT:

- Tank içindeki yakıt filtresini yeniden takarken şekilde gösterilen konuma döndürün. Değiştirmek için yetkili servis merkezi ile iletişim kurun.



### Bağlantı borusu temizleme elemanının temizlenmesi

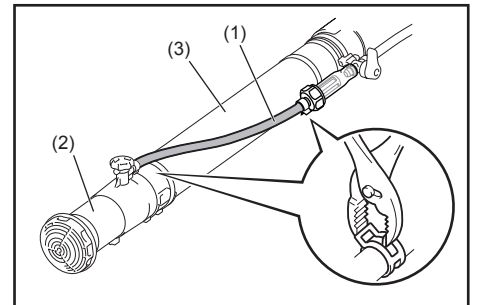
1. Hortum kelepçesini (1) ve boruyu (2) sökün.
2. Elemanı (3) çıkarın ve fırça ile temizleyin. Elemanı çekip çıkarmak zor olursa tutup çıkarmak için ince uçlu bir alet kullanın.
3. Hasarlı veya çok kirli ise elemanı yenisiyle değiştirin.
4. Elemanı bağlantı borusunun (4) içine doğru bastırarak elemanın alt noktasının portun ucu ile aynı hizaya gelmesini sağlayın.
5. Hortumu takın ve hortum kelepçesi ile sabitleyin.



### Solüsyon hortumunun değiştirilmesi

- Solüsyon hortumunu (1) sık sık kontrol edin. Hasar gören hortum kimyasal solüsyonda sızıntıya sebep olabilir. Gerekliyse hortumu aşağıda anlatıldığı gibi yenisiyle değiştirin.

1. Nozulu (2) borudan (3) çıkarın.
2. Hortum kelepçesini gevşetin ve ardından eski hortumu yenisiyle değiştirin.



### Cıvataların, somunların ve vidaların kontrol edilmesi

- Gevşek cıvataları, somunları vb. sıkın.
- Yakıt ve yağ kaçağı olup olmadığını kontrol edin.
- Güvenli çalıştırma için, hasarlı parçaları yenileriyle değiştirin.

### Contaların ve salmastranın değiştirilmesi

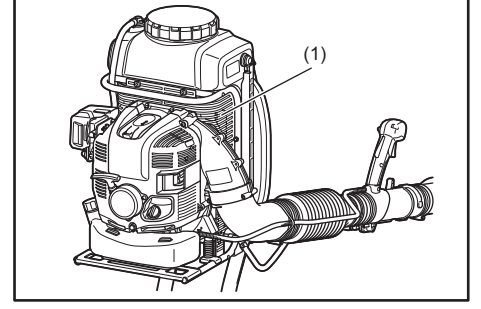
Motor demonte edildikten sonra yeniden takılırken, conta ve tamponları yenileriyle değiştirdiğinizden emin olun.

## Parçaların temizlenmesi

- Motoru daima temiz tutun.
- Silindir açıklıklarına kum veya toz bulaşmasına izin vermeyin. Kanatçıklara yapışan toz ve pislik sıkışmaya neden olur.
- Üfleme havası hava giriş ızgarasından (1) alınır. Çalışma sırasında hava debisi düşerse motoru durdurun ve hava giriş ızgarasında tıkanıklık olup olmadığını kontrol edin.
- Bu tip tıkanıklıkların giderilmemesi motorun aşırı ısınmasına ve zarar görmesine neden olabilir.

### ⚠ UYARI:

- Atomizeri asla atomizerin ızgarası olmadan kullanmayın. Her kullanımdan önce ızgaranın yerinde takılı olduğunu ve hasarsız olduğunu kontrol edin.



Bu kılavuzda yer almayan ve anlatılmayan her türlü bakım ve ayar işi yalnızca Yetkili Servis Merkezleri tarafından yapılmalıdır.

## SAKLAMA

### Yakıtın boşaltılması

#### ⚠ UYARI:

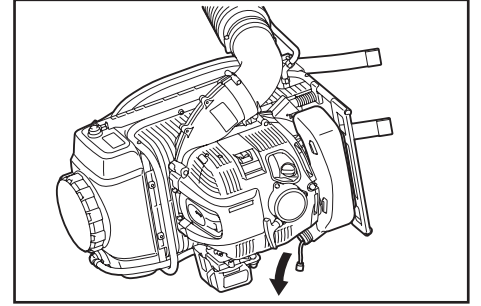
- Yakıtı boşaltılırken motoru durdurduğunuzdan ve motorun soğuduğundan emin olun.  
– Motoru durdurduktan hemen sonra hala sıcak olabilir ve yanıklara, alev alma ya da yangına neden olabilir.

#### ⚠ DİKKAT:

- Makine uzun bir süre çalıştırılmayacaksa, yakıt deposu ve karbüratördeki yakıtı tamamen boşaltın ve kuru ve temiz bir yerde muhafaza edin.

Yakıt deposu ve karbüratördeki yakıtı aşağıdaki prosedürü takip ederek boşaltın:

- 1) Yakıt deposu kapağını çıkartın ve yakıtı tamamen boşaltın.  
Yakıt deposunda yabancı madde kalmışsa, tamamen temizleyin.
- 2) Yakıt filtresini bir tel yardımıyla doldurma deliğinden çıkartın.
- 3) Yakıt boşalana dek ana pompa basın ve yakıt deposuna gelen yakıtı boşaltın.
- 4) Filtreyi yakıt deposuna yeniden takın ve yakıt deposu kapağını iyice sıkın.
- 5) Ardından motoru durana dek çalıştırmaya devam edin.
- 6) Bujiyi çıkartın ve birkaç damla motor yağının buji deliğinden damlamasını sağlayın.
- 7) Marş kolunu, motora motor yağı dağılacak şekilde yavaşça çekin ve bujiyi takın.
- 8) Saklama sırasında lütfen makineyi dik tutun.
- 9) Çıkan yakıtı iyi havalandırılan bir yerde özel bir kaba alın.



### Solüsyon tankının boşaltılması

#### ⚠ UYARI:

- Solüsyon tankını boşaltılırken motoru durdurduğunuzdan ve motorun soğuduğundan emin olun.  
– Motoru durdurduktan hemen sonra hala sıcak olabilir ve yanıklara, alev alma ya da yangına neden olabilir.

Atomizeri saklamadan önce, solüsyon tankını "Solüsyon tankının boşaltılması ve temizlenmesi" başlıklı bölüme başvurarak solüsyonu boşaltın.

### Solüsyon tankının üstündeki filtrenin temizlenmesi

Atomizeri saklarken, solüsyon tankının üstündeki filtreyi daima temizleyin. Filtreyi temizlemek için "Solüsyon tankının boşaltılması ve temizlenmesi" başlıklı bölüme başvurun.

### Boru bağlantısındaki filtrenin temizlenmesi

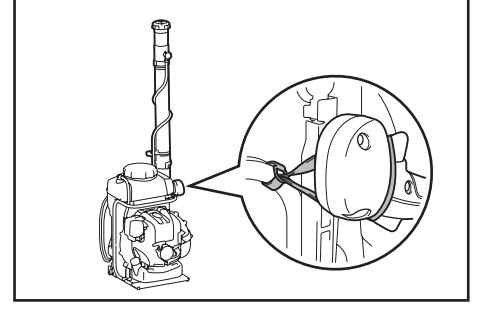
Atomizeri saklarken, boru bağlantısındaki filtreyi daima temizleyin. Filtreyi temizlemek için "Solüsyon tankının boşaltılması ve temizlenmesi" başlıklı bölüme başvurun.

#### ⚠ DİKKAT:

- Atomizeri saklarken motoru mutlaka durdurun.

## Düz boruyu sağlanan el askısı ile tutma

Atomizeri saklarken, düz boruyu şasiye bağlı el askısı ile tutun.  
Boru bu konumda tutulduğunda ünitenin nakledilmesi kolay olacaktır.



## Bakım aralığı

Parça	Çalışma süresi	Kullanımdan önce	Yağlamadan sonra	Günlük (10 sa)	30 sa	50 sa	200 sa	Kapama/ bekleme	İlgili Sayfa
Motor yağı	Kontrol edin	○							246
	Değiştirin					○ <sup>1</sup>			256
Parçaların sıkılması (cıvata, somun)	Kontrol edin	○							258
Solüsyon tankı filtresi	Kontrol edin	○							255
	Temizleyin			○					255
Boru bağlantısı filtresi	Kontrol edin	○							256
	Temizleyin			○					256
Yakıt deposu	Temizleyin/ kontrol edin	○							—
	Yakıtı boşaltın							○ <sup>3</sup>	259
Gaz düğmesi	Çalışma kontrolü		○						—
Durdurma kumanda kolu	Çalışma kontrolü		○						249
Rölanti devri	Kontrol edin/ ayarlayın			○					249
Hava temizleyici	Temizleyin			○					257
Ateşleme bujisi	Kontrol edin			○					257
Soğutma hava kanalı	Temizleyin/ kontrol edin			○					259
Yakıt borusu	Kontrol edin			○					258
	Değiştirin						◎ <sup>2</sup>		—
Yakıt filtresi	Temizleyin/ değiştirin					○			258
Hava emme valfi ile hava tahliye valfi arasındaki boşluk	Ayarlayın						◎ <sup>2</sup>		—
Yağ borusu	Kontrol edin						◎ <sup>2</sup>		—
Motor büyük bakımı							◎ <sup>2</sup>		—
Karbüratör	Yakıtı boşaltın							○ <sup>3</sup>	259

\*1 İlk değiştirmeyi 20 saatlik çalışma sonrasında gerçekleştirin.

\*2 200 çalışma saati sonrası kontroller için, Yetkili Servis Merkezine veya bir makine atölyesine danışın.

\*3 Yakıt deposunu boşalttıktan sonra, motoru çalıştırmaya devam ederek karbüratördeki yakıtın boşalmasını sağlayın.

## SORUN GİDERME

Onarım talebinde bulunmadan önce sorunu kendi kendinize kontrol edin. Herhangi bir anormal durum tespit ettiğinizde, makinenizi bu kılavuzda verilen açıklamalara göre kontrol edin. Hiçbir parçayı açıklamaların aksine bir şekilde değiştirmeyin ve sökmeyin. Onarım için, Yetkili Servis Merkezine veya satıcınıza başvurun.

Anormal durum	Olası nedeni (arıza)	Çözümü
Motor çalışmıyor.	Açma/kapama düğmesi "STOP" konumuna ayarlanmıştır.	Açma/kapama düğmesini "START" (BAŞLATMA) konumuna ayarlayın.
	Yakıt pompası çalışmıyordur.	7 ila 10 kez basın.
	Marş ipini çekme hızınız yavaştır.	Güçlü bir şekilde çekin.
	Yakıt azdır.	Yakıt doldurun.
	Hatalı jikle konumu.	"CLOSE" (kapalı) konuma getirin (soğuk başlatma). "OPEN" (açık) konumuna getirin (sıcak başlatma).
	Yakıt filtresi tıkanmıştır.	Temizleyin.
	Bükülmüş ya da tıkanmış yakıt hortumu.	Yakıt hortumunu düzeltin ya da yenisiyle değiştirin.
	Yakıt kirlenmiştir.	Bozuk yakıt başlatmayı zorlaştırır. Yeni yakıtla değiştirin. (Önerilen değiştirme sıklığı: ayda 1 kez)
	Yakıt emişi aşırıdır.	Gaz düğmesini orta devirden yüksek devire getirin ve motor çalışana kadar marş kolunu çekin. Motor hala çalışmazsa, bujiyi çıkartın, tırnağın kurumasını sağlayın ve bu parçaları tekrar başlangıçtaki gibi geri takın. Ardından belirtildiği gibi başlatın.
	Buji kapağı çıkmıştır.	Sağlam şekilde takın.
	Buji kirlenmiştir.	Temizleyin.
	Buji açıklığı normal değildir.	Açıklığı ayarlayın.
	Bujide anormallik.	Değiştirin.
	Karbüratör normal çalışmıyordur.	Kontrol ve bakım talebinde bulunun.
	Marş ipi çekilemiyor ya da hiç sıkıştırma hissedilmiyor.	Kontrol ve bakım talebinde bulunun.
Tahrik sistemi/elektrik sistemi normal çalışmıyordur. (Açma/kapama düğmesi, kablo arızası, konektör arızası vb.).	Kontrol ve bakım talebinde bulunun.	
Motor hemen duruyor. Motor devri yükselmiyor.	Isınma yetersizdir.	Isınma prosedürünü uygulayın.
	Motor ısınmasına rağmen, jikle kolu "CLOSE" (kapalı) konumdadır.	"OPEN" (açık) konumuna getirin.
	Düşük rölanti devri.	Rölanti devrini ayarlayın.
	Yakıt filtresi tıkanmıştır.	Temizleyin.
	Hava temizleyici kirlenmiş veya tıkanmıştır.	Temizleyin.
	Karbüratör normal çalışmıyordur.	Kontrol ve bakım talebinde bulunun.
	Egzoz susturucusu arızalı (tıkalı vb.).	Kontrol ve bakım talebinde bulunun.
	Anormal tahrik sistemi/elektrik sistemi.	Kontrol ve bakım talebinde bulunun.
	Kısma teli çıkmıştır.	Sağlam şekilde takın.
Motor durmuyor. ↓ Motoru rölantide çalıştırın ve jikle kolunu "CLOSE" (kapalı) konuma getirin.	Konektör çıkmıştır.	Sağlam şekilde takın.
	Elektrik sistemi normal çalışmıyordur.	Kontrol ve bakım talebinde bulunun.

Isıtma çalıştırması gerçekleştirildikten sonra, motor çalışmıyorsa:

Kontrol edilen parçalarda herhangi bir anormal durum tespit edilmezse, kısma mandalını yaklaşık 1/3 tur açın ve motoru çalıştırın.





**Makita** Jan-Baptist Vinkstraat 2, 3070, Belgium  
**Makita Corporation** Anjo, Aichi, Japan